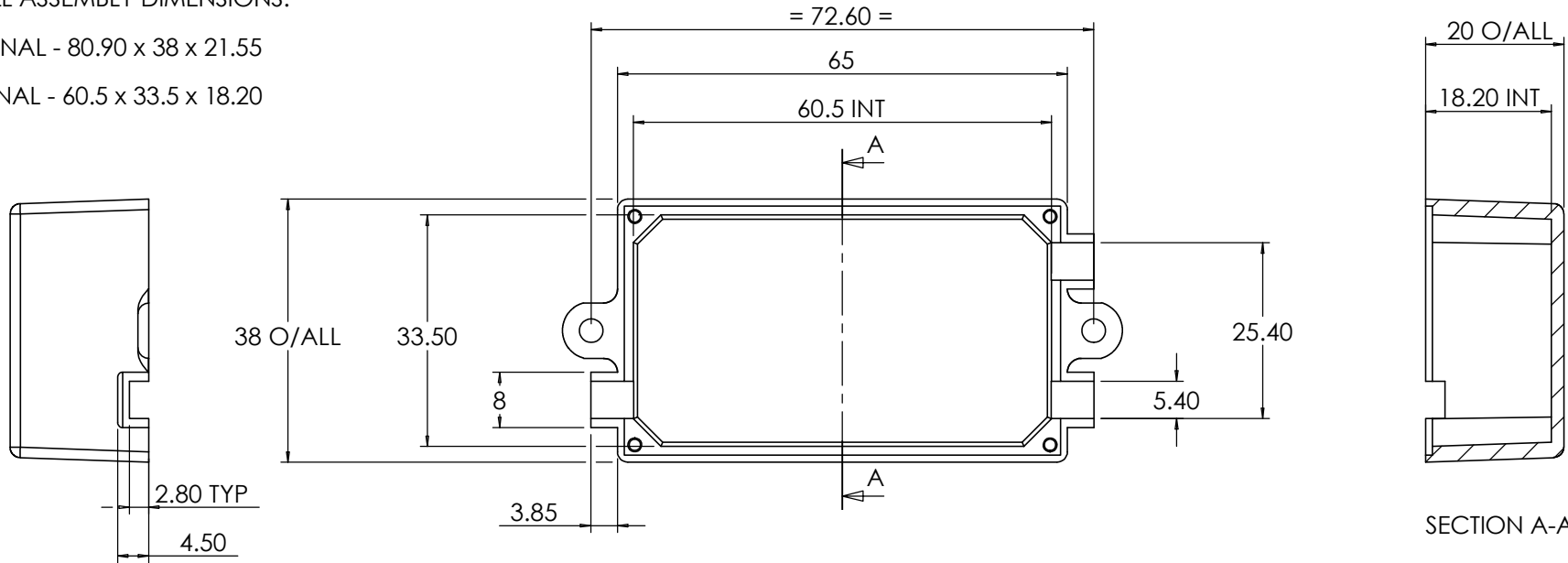


OVERALL ASSEMBLY DIMENSIONS:

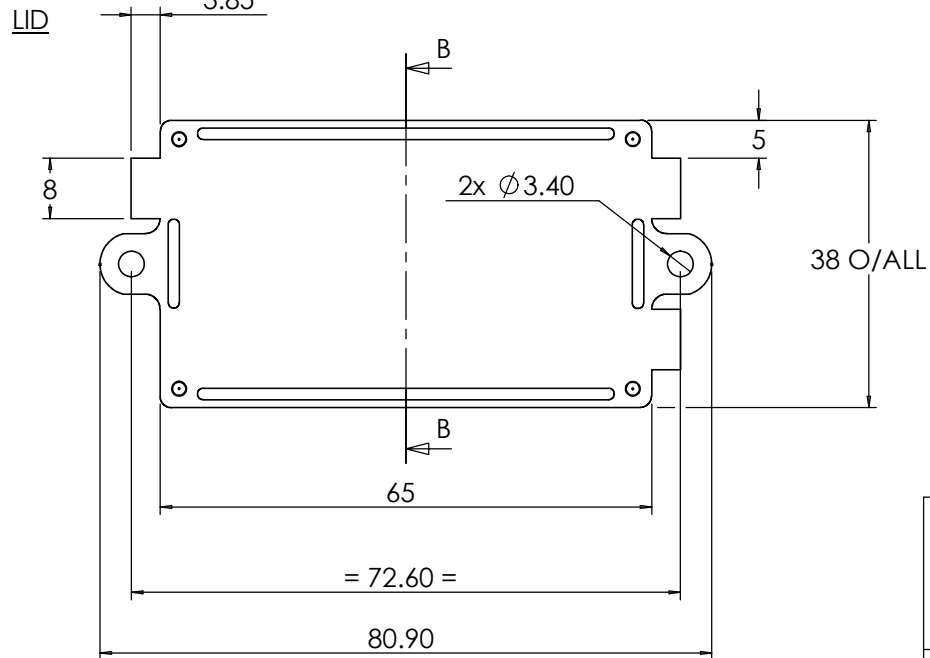
EXTERNAL - 80.90 x 38 x 21.55

INTERNAL - 60.5 x 33.5 x 18.20



BASE

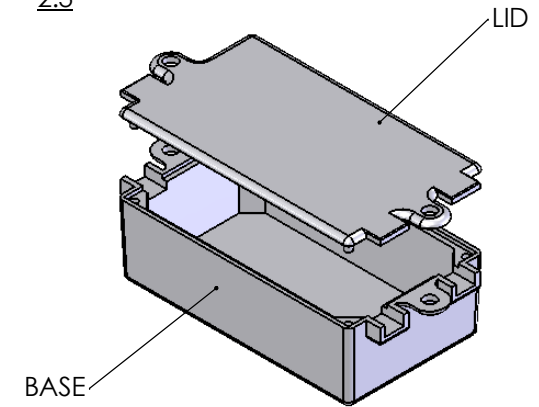
SECTION A-A


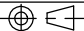


LID

SECTION B-B

ISO VIEW  
2:3



 <b>CAMDENBOSS</b> JAMES CARTER RD, MILDENHALL, SUFFOLK, IP28 7DE TEL: 01438 716101 FAX: 01438 716554 EMAIL: Sales@CamdenBoss.com WEB: www.CamdenBoss.com				UNLESS OTHERWISE SPECIFIED: DIMENSIONS ARE IN MILLIMETERS		DO NOT SCALE DRAWING		REVISION. 0	
				FINISH. <b>FINE SPARK</b>		TITLE: <b>ASSEMBLY DRG FOR 400-011</b>			
DRAWN SUBKHANKULOVA		SIGNED LS	DATE 05/06/09	MATERIAL. <b>ABS</b>		DWG NO. <b>400-011</b>		A4	
CHK'D STUART HARDINGE		SIGNED SJH	DATE 05/06/09	PROJECTION. 		SCALE: 1 : 1		SHEET 1 OF 1	