

TOP


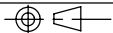
ESCUTCHEON

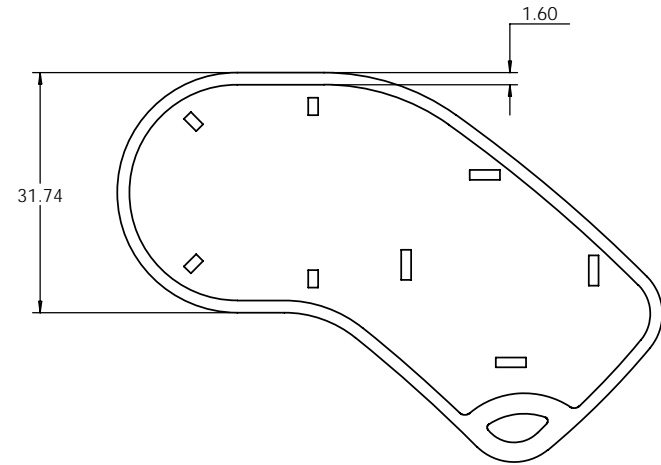
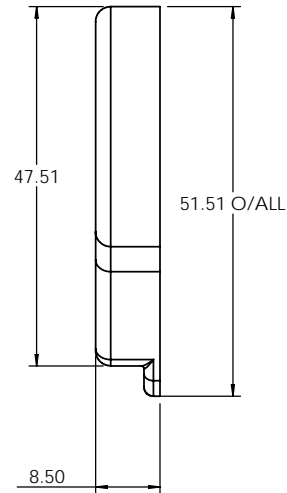
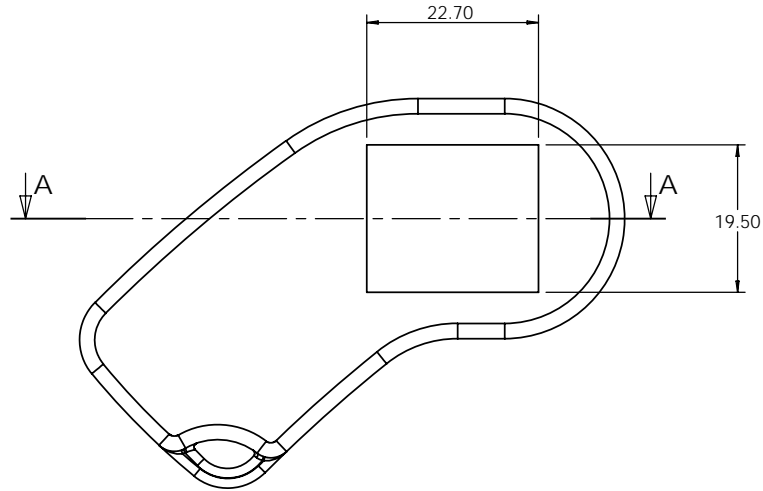
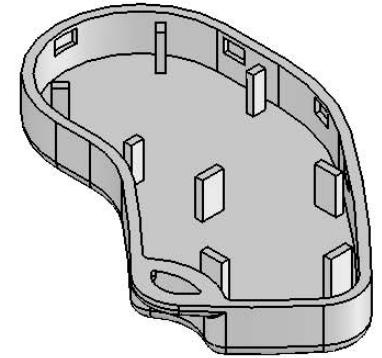
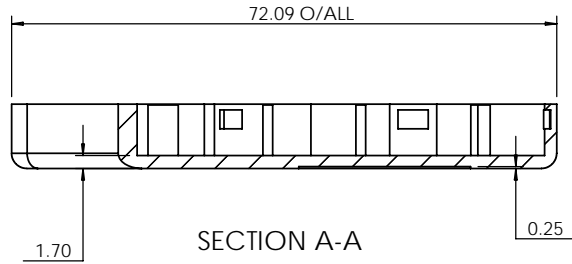
FLEXIBLE BUTTON


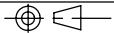
BASE

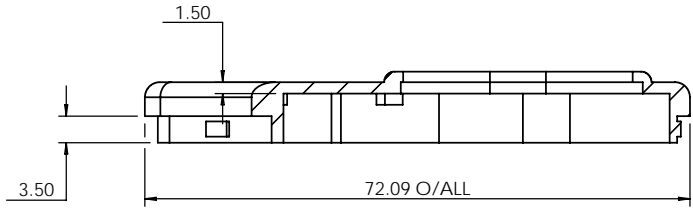
OVERALL ASSEMBLY DIMENSIONS:

72.09 x 51.5 x 14.71

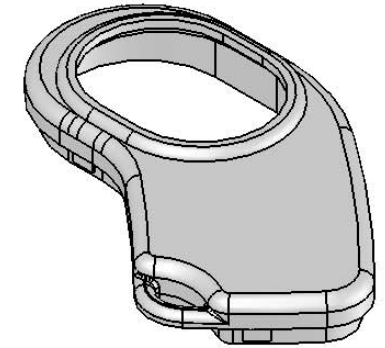
 CAMDENBOSS JAMES CARTER RD, MILDENHALL, SUFFOLK. IP28 7DE TEL: 01638 716101 FAX: 01638 716554 EMAIL: SALES@BOSS-ENCLOSURES.CO.UK WEB: www.BOSS-ENCLOSURES.CO.UK				UNLESS OTHERWISE SPECIFIED: DIMENSIONS ARE IN MILLIMETERS		DO NOT SCALE DRAWING		REVISION. 0	
				FINISH: LIGHT SPARKED		TITLE: GENERAL ASSEMBLY DRG			
DRAWN		NAME	SIGNED	DATE	MATERIAL.		DWG NO.		A4
CHK'D		S.HARDINGE	SJH	19/03/07	ABS		2955-40 GNL		
					PROJECTION.				SHEET 1 OF 1



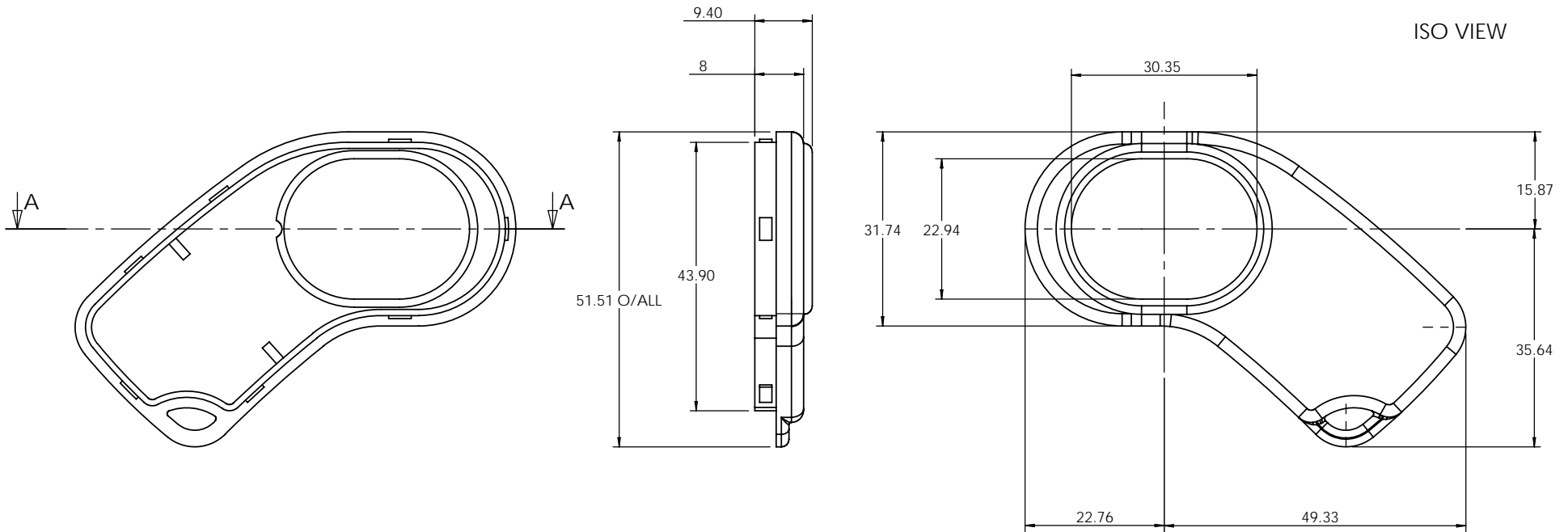
 CAMDENBOSS JAMES CARTER RD, MILDENHALL, SUFFOLK. IP28 7DE TEL: 01638 716101 FAX: 01638 716554 EMAIL: SALES@BOSS-ENCLOSURES.CO.UK WEB: www.BOSS-ENCLOSURES.CO.UK				UNLESS OTHERWISE SPECIFIED: DIMENSIONS ARE IN MILLIMETERS		DO NOT SCALE DRAWING	REVISION. 0
				FINISH: LIGHT SAPRK		TITLE: PART DRG FOR 2955-40 BASE	
DRAWN	NAME S.HARDINGE	SIGNED SJH	DATE 20/03/07	MATERIAL. ABS	DWG NO. 2955-40 Base	A4	
CHK'D	-	-	-	PROJECTION. 	SCALE. 1 : 1	SHEET 1 OF 1	


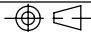


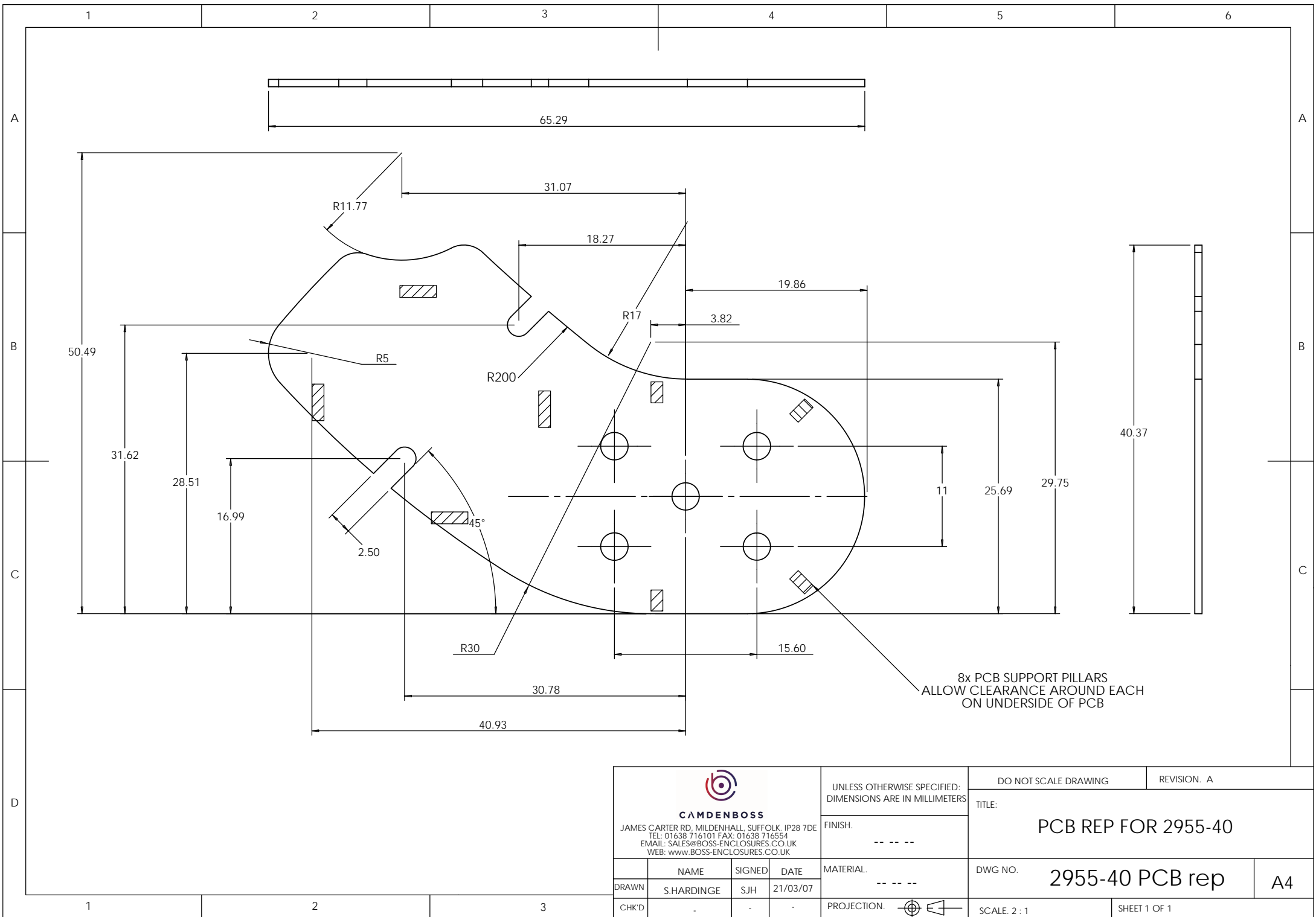
SECTION A-A


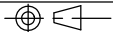


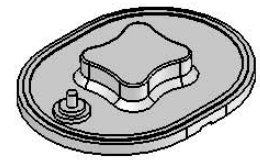
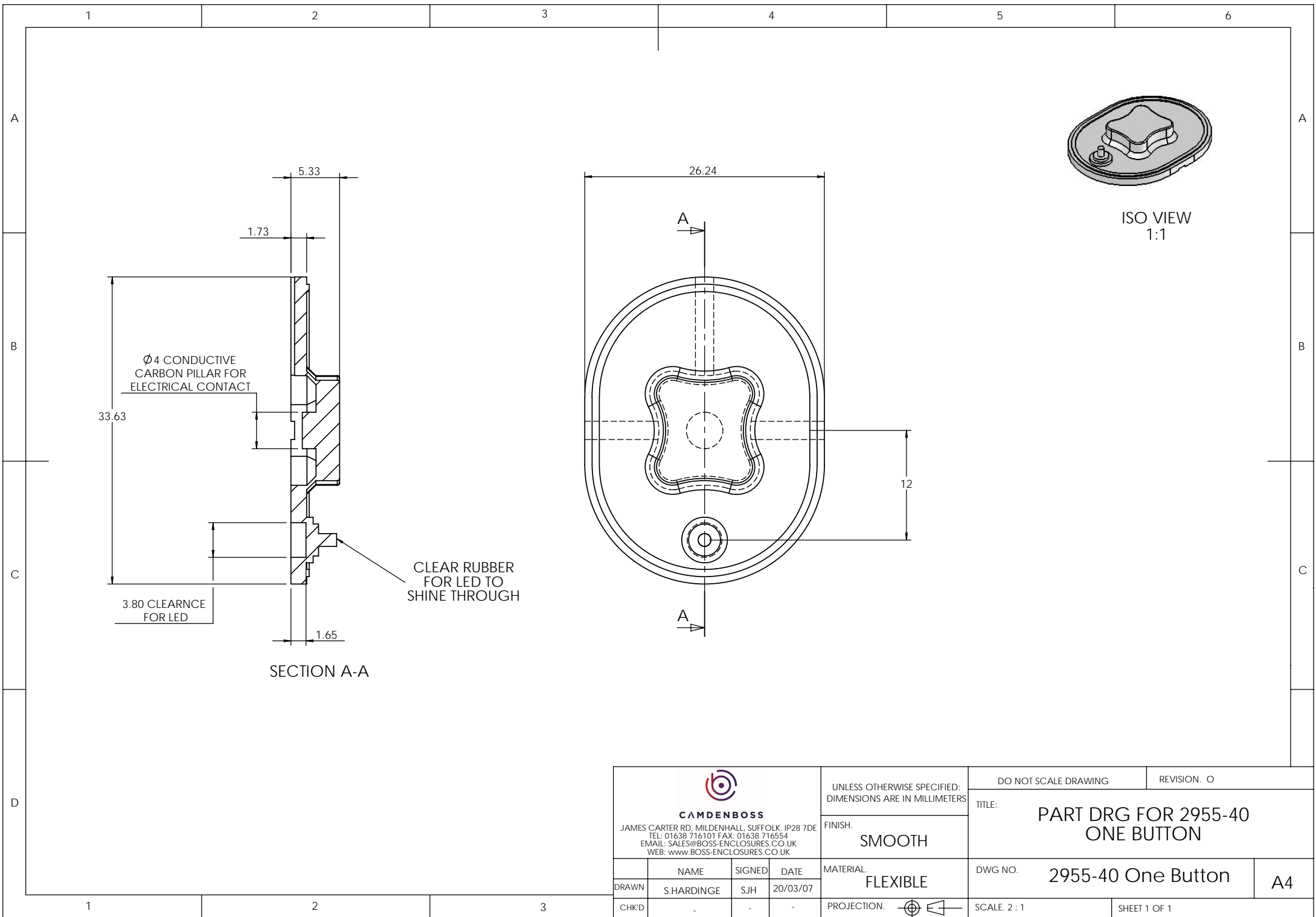
ISO VIEW




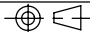
 CAMDENBOSS JAMES CARTER RD, MILDENHALL, SUFFOLK. IP28 7DE TEL: 01638 716101 FAX: 01638 716554 EMAIL: SALES@BOSS-ENCLOSURES.CO.UK WEB: www.BOSS-ENCLOSURES.CO.UK				UNLESS OTHERWISE SPECIFIED: DIMENSIONS ARE IN MILLIMETERS		DO NOT SCALE DRAWING		REVISION. 0		
				FINISH: LIGHT SPARK		TITLE: PART DRG FOR 2955-20 TOP				
DRAWN S.HARDINGE		SIGNED SJH		DATE 20/03/07		MATERIAL: ABS		DWG NO. 2955-40 Top		A4
CHK'D -		-		-		PROJECTION. 		SCALE: 1 : 1		SHEET 1 OF 1

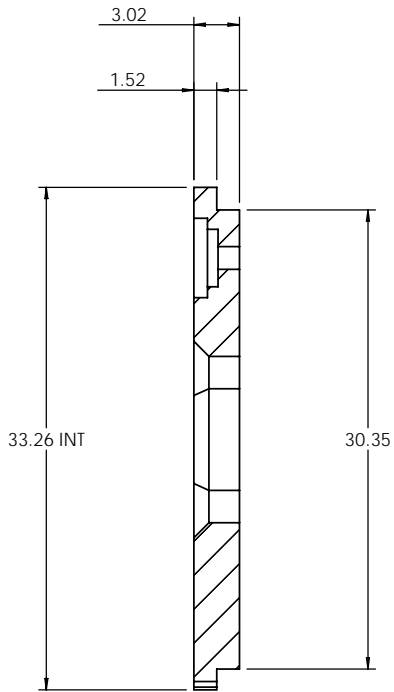


 CAMDENBOSS JAMES CARTER RD, MILDENHALL, SUFFOLK. IP28 7DE TEL: 01638 716101 FAX: 01638 716554 EMAIL: SALES@BOSS-ENCLOSURES.CO.UK WEB: WWW.BOSS-ENCLOSURES.CO.UK				UNLESS OTHERWISE SPECIFIED: DIMENSIONS ARE IN MILLIMETERS		DO NOT SCALE DRAWING		REVISION. A	
				FINISH: -----		TITLE: PCB REP FOR 2955-40			
DRAWN S.HARDINGE		SIGNED SJH	DATE 21/03/07	MATERIAL: -----		DWG NO. 2955-40 PCB rep		A4	
CHK'D -		-	-	PROJECTION. 		SCALE. 2 : 1		SHEET 1 OF 1	

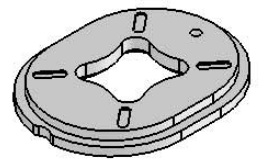
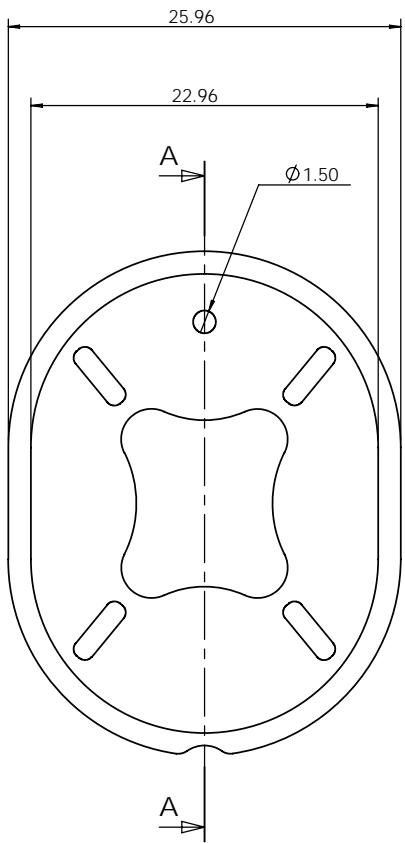


ISO VIEW
1:1


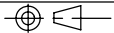
 CAMDENBOSS JAMES CARTER RD, MILDENHALL, SUFFOLK. IP28 7DE TEL: 01638 716101 FAX: 01638 716554 EMAIL: SALES@BOSS-ENCLOSURES.CO.UK WEB: WWW.BOSS-ENCLOSURES.CO.UK				UNLESS OTHERWISE SPECIFIED: DIMENSIONS ARE IN MILLIMETERS		DO NOT SCALE DRAWING		REVISION. 0		
				FINISH: SMOOTH		TITLE: PART DRG FOR 2955-40 ONE BUTTON				
DRAWN: S.HARDINGE		SIGNED: SJH		DATE: 20/03/07		MATERIAL: FLEXIBLE		DWG NO. 2955-40 One Button		A4
CHK'D: -		-		-		PROJECTION: 		SCALE: 2 : 1		SHEET 1 OF 1

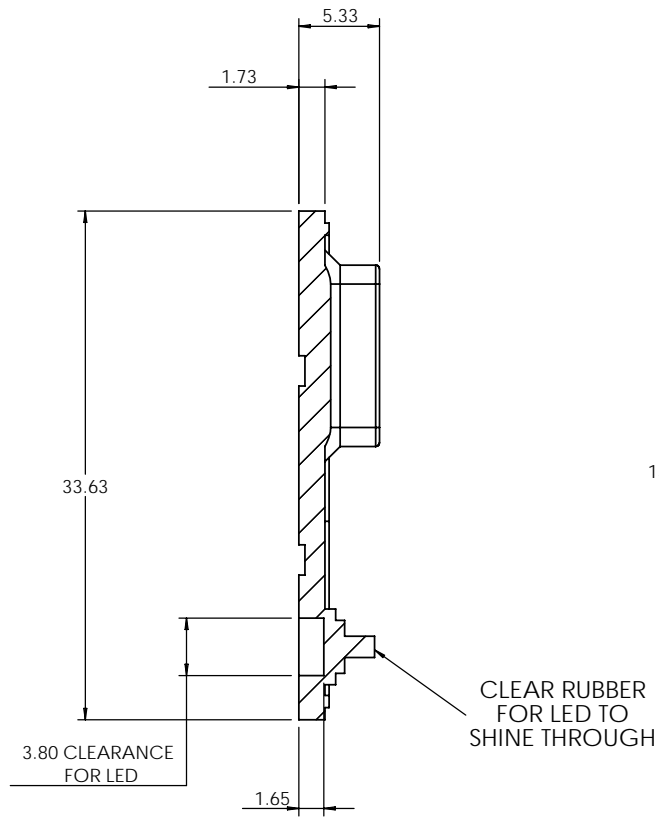


SECTION A-A

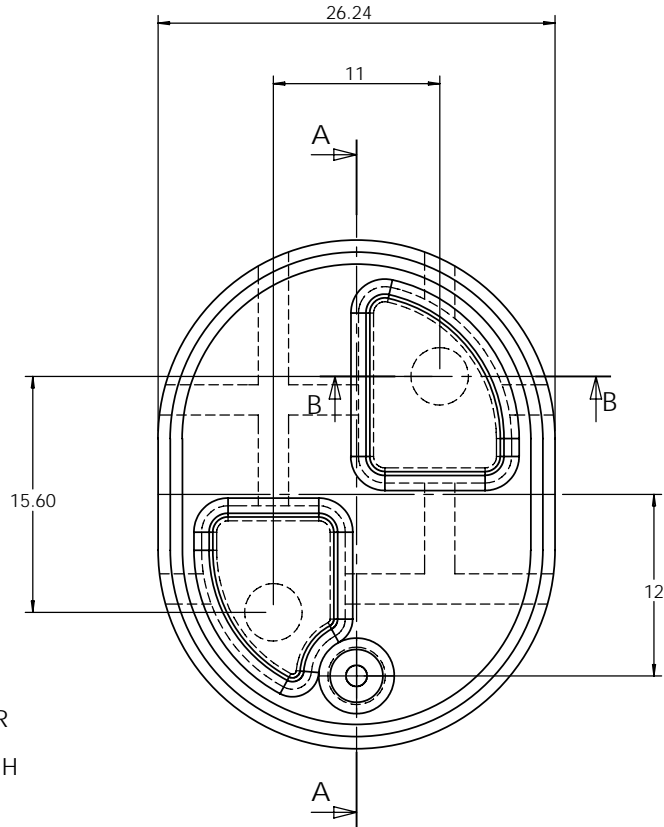


ISO VIEW
1:1

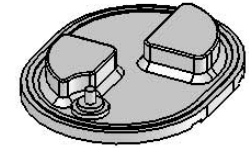
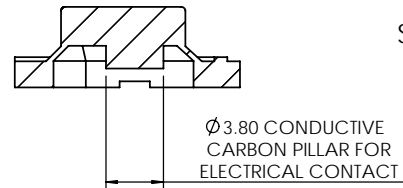
 CAMDENBOSS JAMES CARTER RD, MILDENHALL, SUFFOLK. IP28 7DE TEL: 01638 716101 FAX: 01638 716554 EMAIL: SALES@BOSS-ENCLOSURES.CO.UK WEB: www.BOSS-ENCLOSURES.CO.UK				UNLESS OTHERWISE SPECIFIED: DIMENSIONS ARE IN MILLIMETERS		DO NOT SCALE DRAWING		REVISION. 0	
				FINISH: SMOOTH		TITLE: PART DRG FOR 2955-40 ONE BUTTON ESCUTCHEON			
MATERIAL: ABS		DWG NO. 2955-40 One Escutcheon		A4					
DRAWN	NAME S.HARDINGE	SIGNED SJH	DATE 20/03/07	PROJECTION. 		SCALE: 2:1		SHEET 1 OF 1	
CHK'D	-	-	-						




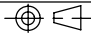
SECTION A-A

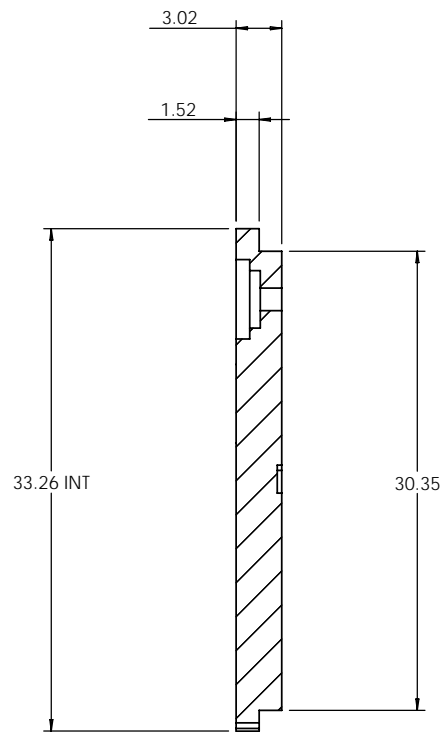


SECTION B-B

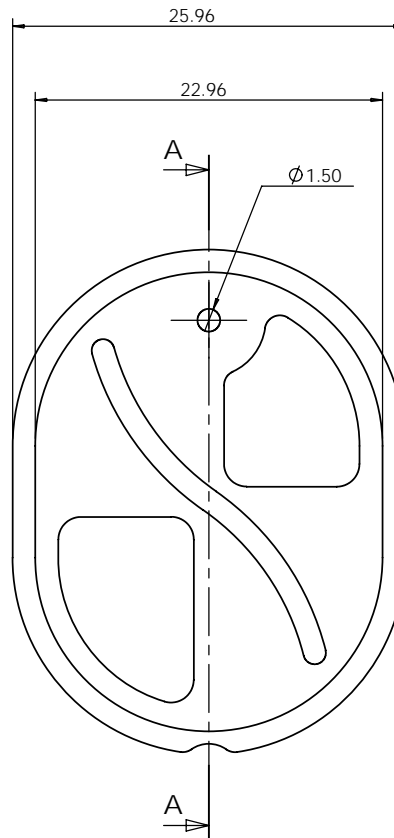


ISO VIEW
1:1


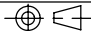
 CAMDENBOSS JAMES CARTER RD, MILDENHALL, SUFFOLK. IP28 7DE TEL: 01638 716101 FAX: 01638 716554 EMAIL: SALES@BOSS-ENCLOSURES.CO.UK WEB: www.BOSS-ENCLOSURES.CO.UK				UNLESS OTHERWISE SPECIFIED: DIMENSIONS ARE IN MILLIMETERS		DO NOT SCALE DRAWING		REVISION. 0		
				FINISH: SMOOTH		TITLE: PART DRG FOR 2955-40 TWO BUTTON				
DRAWN S.HARDINGE		SIGNED SJH		DATE 20/03/07		MATERIAL: FLEXIBLE		DWG NO. 2955-40 Two Button		A4
CHK'D -		-		-		PROJECTION. 		SCALE: 2:1		SHEET 1 OF 1



SECTION A-A



ISO VIEW
1:1

 CAMDENBOSS JAMES CARTER RD, MILDENHALL, SUFFOLK. IP28 7DE TEL: 01638 716101 FAX: 01638 716554 EMAIL: SALES@BOSS-ENCLOSURES.CO.UK WEB: WWW.BOSS-ENCLOSURES.CO.UK				UNLESS OTHERWISE SPECIFIED: DIMENSIONS ARE IN MILLIMETERS		DO NOT SCALE DRAWING		REVISION. 0	
				FINISH: SMOOTH		TITLE: PART DRG FOR 2955-40 TWO BUTTON ESCUTCHEON			
DRAWN S.HARDINGE		NAME S.HARDINGE	SIGNED SJH	DATE 20/03/07	MATERIAL: ABS		DWG NO. 2955-40 Two Escutcheon		A4
CHK'D -		-	-	-	PROJECTION. 		SCALE. 2 : 1		SHEET 1 OF 1

1 2 3 4 5 6

A

B

C

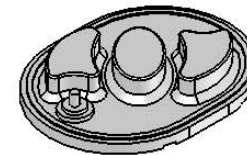
D

A

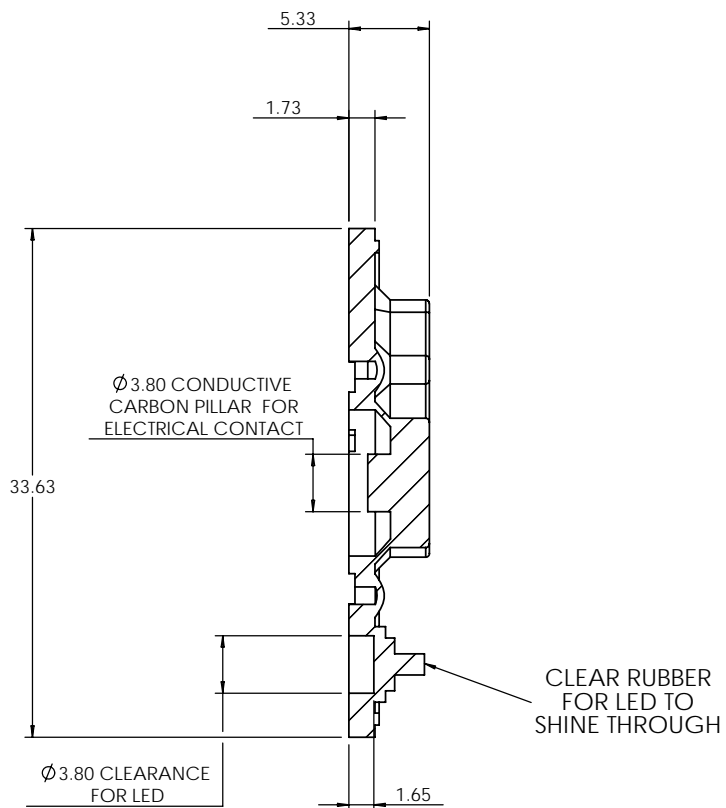
B

C

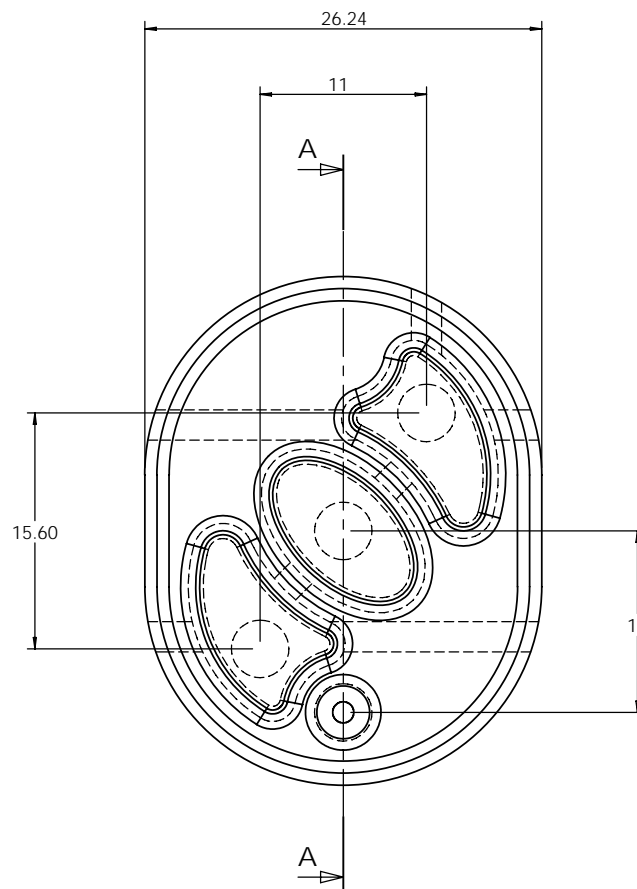
D


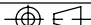


ISO VIEW
1:1

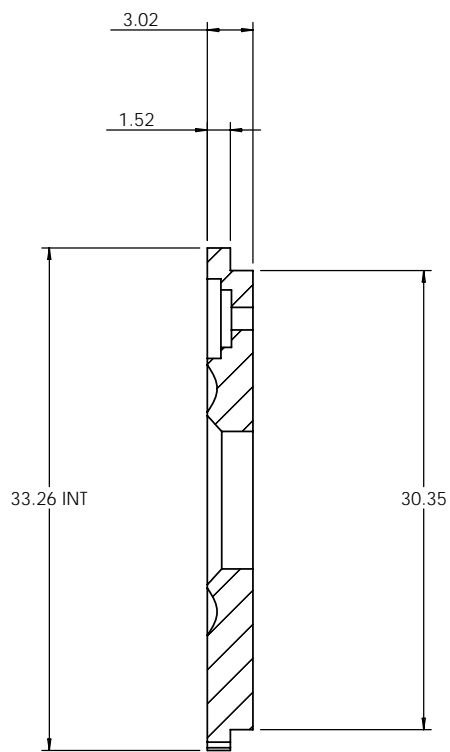


SECTION A-A

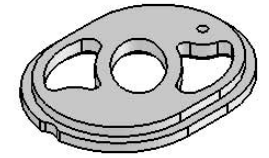
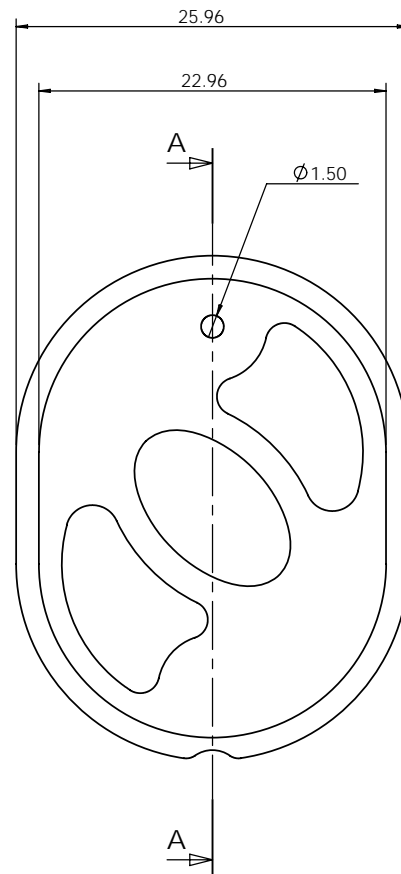


 CAMDENBOSS JAMES CARTER RD, MILDENHALL, SUFFOLK. IP28 7DE TEL: 01638 716101 FAX: 01638 716554 EMAIL: SALES@BOSS-ENCLOSURES.CO.UK WEB: www.BOSS-ENCLOSURES.CO.UK				UNLESS OTHERWISE SPECIFIED: DIMENSIONS ARE IN MILLIMETERS		DO NOT SCALE DRAWING		REVISION. 0					
				FINISH: SMOOTH		TITLE: PART DRG FOR 2955-40 THREE BUTTON							
DRAWN		NAME		SIGNED		DATE		MATERIAL: FLEXIBLE		DWG NO. 2955-40 Three Button		A4	
CHK'D		-		-		-		PROJECTION. 		SCALE: 2:1		SHEET 1 OF 1	


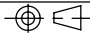
1 2 3

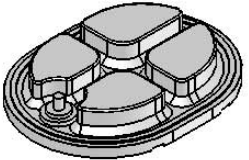
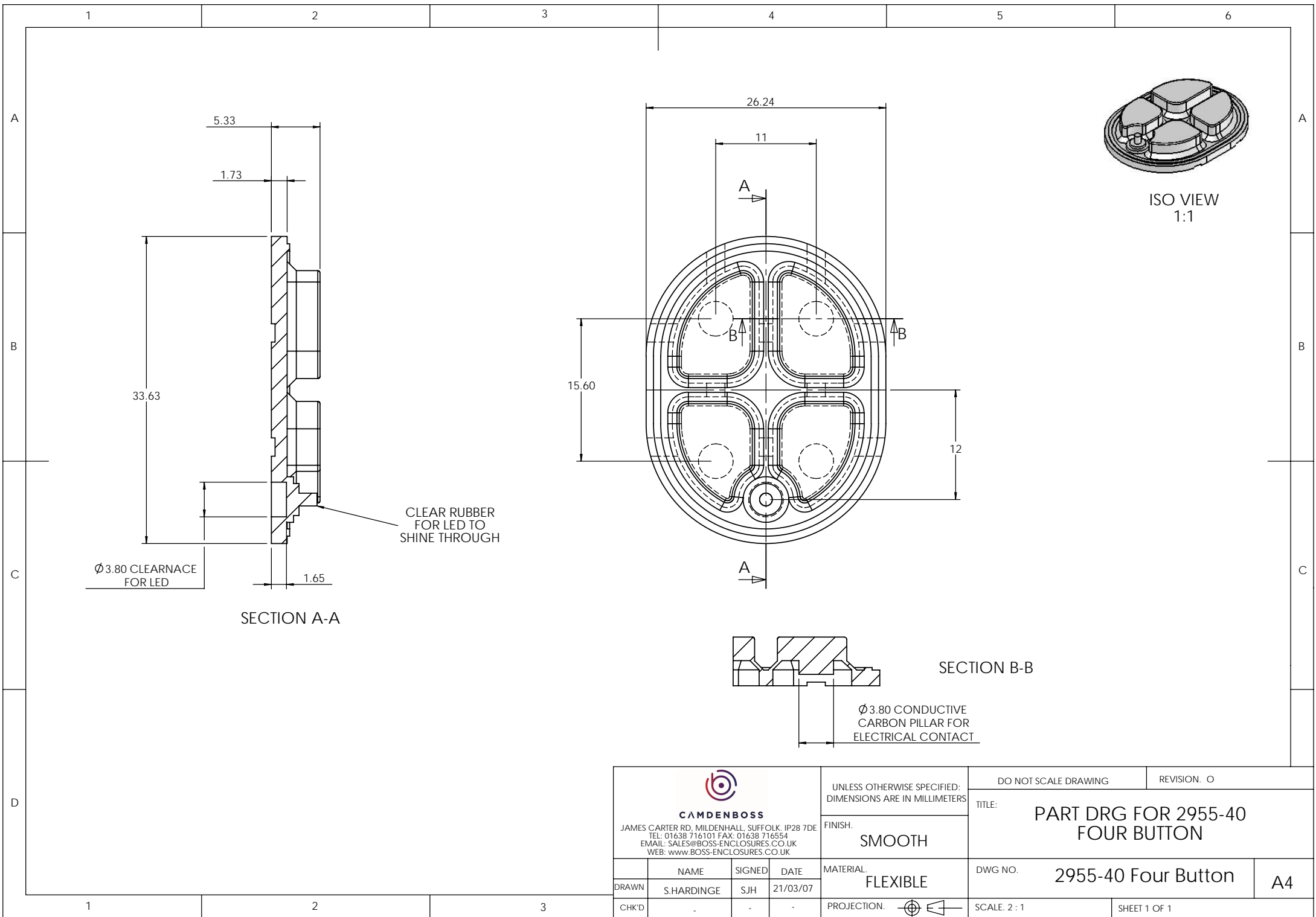


SECTION A-A



ISO VIEW
1:1


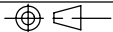
 CAMDENBOSS JAMES CARTER RD, MILDENHALL, SUFFOLK. IP28 7DE TEL: 01638 716101 FAX: 01638 716554 EMAIL: SALES@BOSS-ENCLOSURES.CO.UK WEB: www.BOSS-ENCLOSURES.CO.UK				UNLESS OTHERWISE SPECIFIED: DIMENSIONS ARE IN MILLIMETERS		DO NOT SCALE DRAWING		REVISION. 0	
				FINISH: SMOOTH		TITLE: PART DRG FOR 2955-40 THREE BUTTON ESCUTCHEON			
DRAWN S.HARDINGE		SIGNED SJH	DATE 21/03/07	MATERIAL: ABS		DWG NO. 2955-40 Three Escutcheon		A4	
CHK'D -		-	-	PROJECTION. 		SCALE: 2:1		SHEET 1 OF 1	

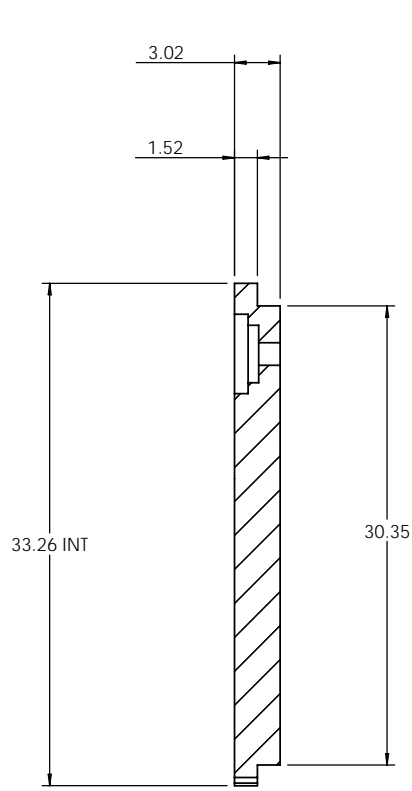


ISO VIEW
1:1

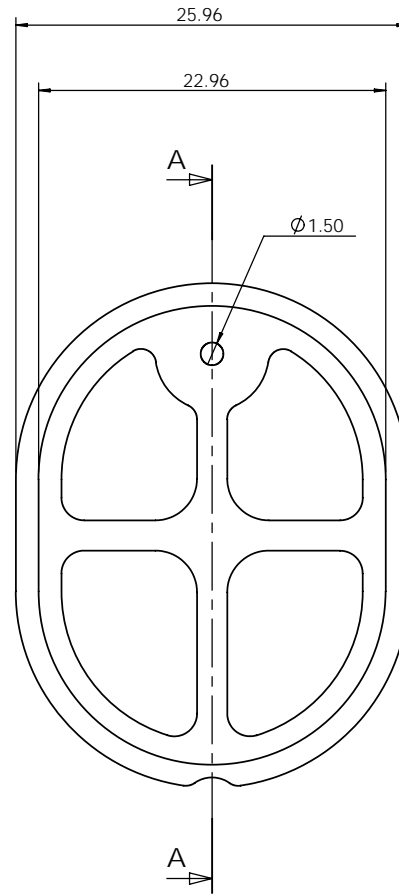
SECTION A-A

SECTION B-B


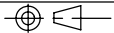
 CAMDENBOSS JAMES CARTER RD, MILDENHALL, SUFFOLK. IP28 7DE TEL: 01638 716101 FAX: 01638 716554 EMAIL: SALES@BOSS-ENCLOSURES.CO.UK WEB: www.BOSS-ENCLOSURES.CO.UK				UNLESS OTHERWISE SPECIFIED: DIMENSIONS ARE IN MILLIMETERS	DO NOT SCALE DRAWING	REVISION. 0
				FINISH: SMOOTH	TITLE: PART DRG FOR 2955-40 FOUR BUTTON	
DRAWN	NAME S.HARDINGE	SIGNED SJH	DATE 21/03/07	MATERIAL: FLEXIBLE	DWG NO. 2955-40 Four Button	A4
CHK'D	-	-	-	PROJECTION. 	SCALE. 2 : 1	SHEET 1 OF 1

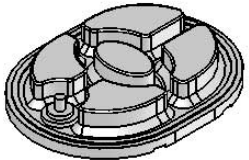
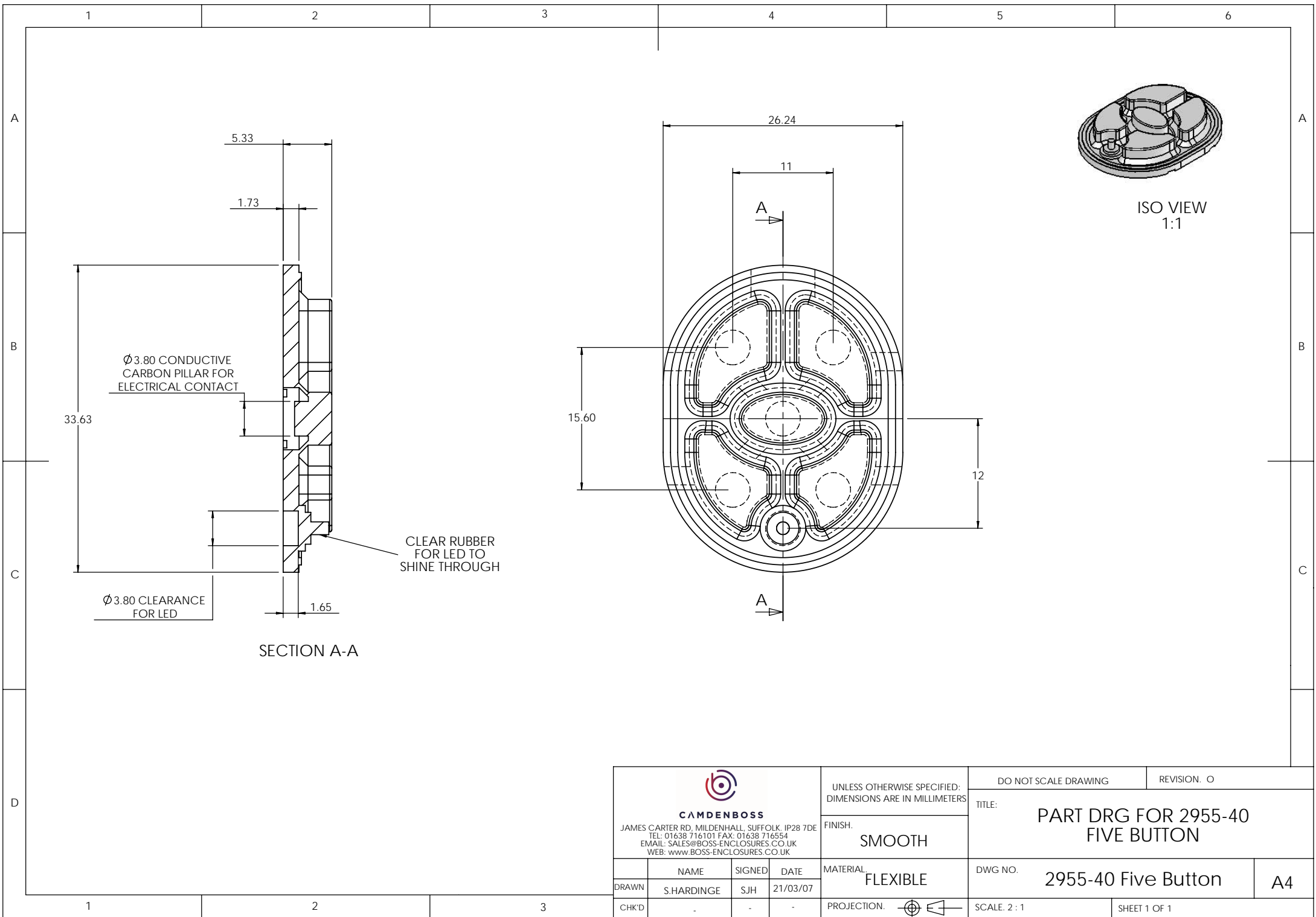


SECTION A-A




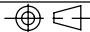
ISO VIEW
1:1

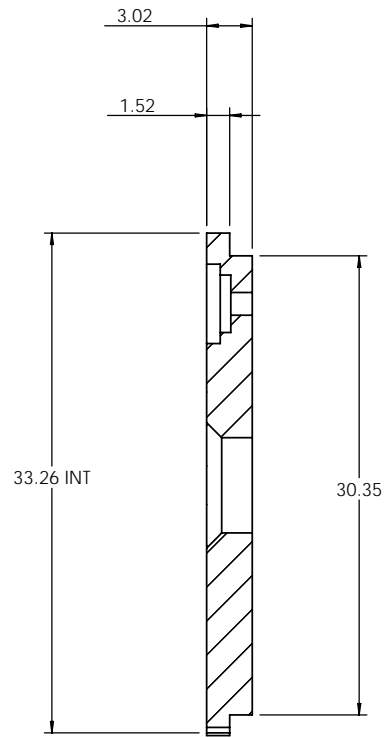
 CAMDENBOSS JAMES CARTER RD, MILDENHALL, SUFFOLK. IP28 7DE TEL: 01638 716101 FAX: 01638 716554 EMAIL: SALES@BOSS-ENCLOSURES.CO.UK WEB: www.BOSS-ENCLOSURES.CO.UK				UNLESS OTHERWISE SPECIFIED: DIMENSIONS ARE IN MILLIMETERS		DO NOT SCALE DRAWING		REVISION. 0	
				FINISH: SMOOTH		TITLE: PART DRG FOR 2955-40 FOUT BUTTON ESCUTCHEON			
DRAWN S.HARDINGE		SIGNED SJH	DATE 22/03/07	MATERIAL: ABS		DWG NO. 2955-40 Four Escutcheon			A4
CHK'D -		-	-	PROJECTION. 		SCALE: 2:1		SHEET 1 OF 1	



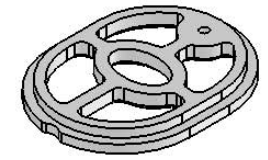
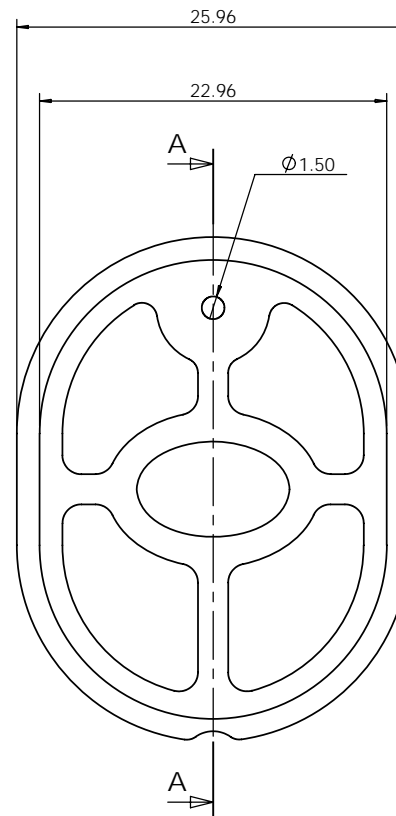
ISO VIEW
1:1

SECTION A-A


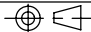
 CAMDENBOSS JAMES CARTER RD, MILDENHALL, SUFFOLK. IP28 7DE TEL: 01638 716101 FAX: 01638 716554 EMAIL: SALES@BOSS-ENCLOSURES.CO.UK WEB: www.BOSS-ENCLOSURES.CO.UK				UNLESS OTHERWISE SPECIFIED: DIMENSIONS ARE IN MILLIMETERS		DO NOT SCALE DRAWING		REVISION. 0		
				FINISH: SMOOTH		TITLE: PART DRG FOR 2955-40 FIVE BUTTON				
DRAWN S.HARDINGE		SIGNED SJH		DATE 21/03/07		MATERIAL: FLEXIBLE		DWG NO. 2955-40 Five Button		A4
CHK'D -		-		-		PROJECTION. 		SCALE: 2:1		SHEET 1 OF 1



SECTION A-A



ISO VIEW

 CAMDENBOSS JAMES CARTER RD, MILDENHALL, SUFFOLK. IP28 7DE TEL: 01638 716101 FAX: 01638 716554 EMAIL: SALES@BOSS-ENCLOSURES.CO.UK WEB: www.BOSS-ENCLOSURES.CO.UK				UNLESS OTHERWISE SPECIFIED: DIMENSIONS ARE IN MILLIMETERS		DO NOT SCALE DRAWING		REVISION. 0	
				FINISH: SMOOTH		TITLE: PART DRG FOR 2955-40 FIVE BUTTON ESCUTCHEON			
DRAWN S.HARDINGE		SIGNED SJH	DATE 22/03/07	MATERIAL: ABS		DWG NO. 2955-40 Five Escutcheon			A4
CHK'D -		-	-	PROJECTION. 		SCALE: 2 : 1		SHEET 1 OF 1	