

268
HANDHELD CASES

292
UNIVERSAL
ENCLOSURES

318
HEAVY DUTY
AND ELECTRICAL
ENCLOSURES

342
DESKTOP AND
INSTRUMENT
CASES

348
DEVELOPMENT
BOARD
ENCLOSURES

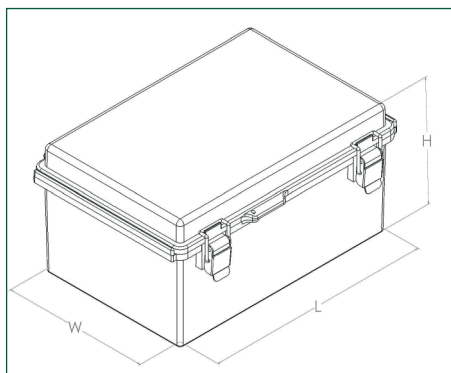
367
ROOM SENSOR
ENCLOSURES

370
CUSTOM SIZED
ENCLOSURES

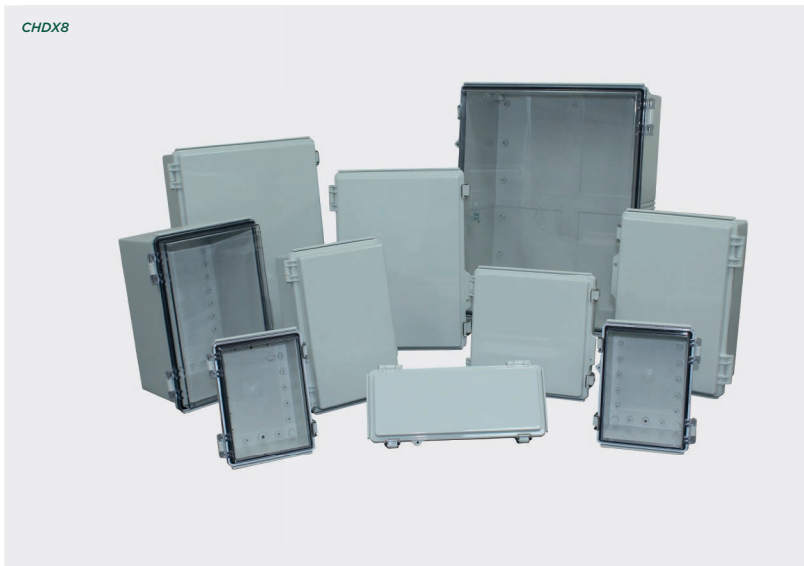
X8 series electrical hinged lid enclosure - polycarbonate

Product overview

- Heavy duty hinge and latch enclosure
- Moulded in high quality Polycarbonate
- PCB pillars in the base for PCB mounting
- Brass inserts in the base
- Gasket supplied
- Clear lid option available
- Added hood ensures no moisture sits on the seal whilst lid is closed.
- Wall mounting facility accessories available
- X8 series has been tested and meets the requirements of IP67 (equivalent to NEMA 6)
- IK08 impact tested



CHDX8



SPECIFICATION

Materials	Polycarbonate UL94-V0
Operating temperature	-40°C to +120°C
Protection class	X8 series has been tested and meets the requirements of IP67, IK08
Standard colours	Grey, transparent lid option
Standard unit Includes	Box and lid
Available accessories	Dual door kit, mount plates, integral lock, vents, wall mounts

SOLID LID	CLEAR LID	LENGTH	WIDTH	HEIGHT
CHDX8-221	CHDX8-221C	260mm	110mm	75mm
CHDX8-222	CHDX8-222C	260mm	110mm	100mm
CHDX8-223	CHDX8-223C	185mm	135mm	85mm
CHDX8-224	CHDX8-224C	185mm	135mm	100mm
CHDX8-225	CHDX8-225C	220mm	170mm	110mm
CHDX8-226	CHDX8-226C	270mm	170mm	110mm
CHDX8-227	CHDX8-227C	300mm	200mm	150mm
CHDX8-228	CHDX8-228C	300mm	200mm	180mm
CHDX8-229	CHDX8-229C	210mm	210mm	100mm
CHDX8-230	CHDX8-230C	350mm	250mm	180mm
CHDX8-231	CHDX8-231C	300mm	300mm	180mm
CHDX8-232	CHDX8-232C	400mm	300mm	180mm
CHDX8-233	CHDX8-233C	500mm	400mm	200mm
CHDX8-234	CHDX8-234C	630mm	530mm	255mm
CHDX8-235	CHDX8-235C	830mm	630mm	185mm
CHDX8-236	CHDX8-236C	830mm	630mm	285mm

KEY FEATURES

Easy component maintenance | Heavy duty hinge | Brass inserts



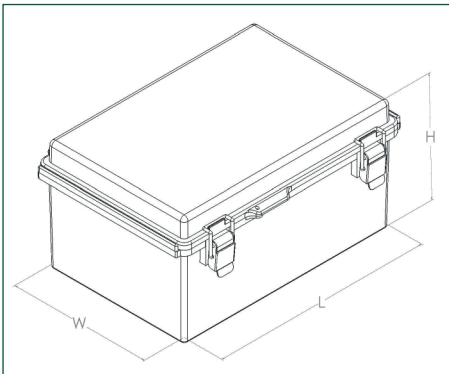
X8 series electrical hinged lid enclosure - ABS

Product overview

- Heavy duty hinge and latch enclosure
- Moulded in high quality ABS
- PCB pillars in the base for PCB mounting
- Brass inserts in the base
- Gasket supplied
- Clear lid option available
- Added hood ensures no moisture sits on the seal whilst lid is closed.
- Wall mounting facility accessories available
- X8 series has been tested and meets the requirements of IP67 equivalent to NEMA 6)
- IK08 impact tested



CHDX8



SPECIFICATION	
Materials	ABS UL94-HB
Operating temperature	-40°C to + 85°C
Protection class	X8 series has been tested and meets the requirements of IP67, IK08
Standard colours	Grey, transparent lid option
Standard unit Includes	Box and lid
Available accessories	Dual door kit, mount plates, integral lock, vents, wall mounts

SOLID LID	CLEAR LID	LENGTH	WIDTH	HEIGHT
CHDX8-321	CHDX8-321C	260mm	110mm	75mm
CHDX8-322	CHDX8-322C	260mm	110mm	100mm
CHDX8-323	CHDX8-323C	185mm	135mm	85mm
CHDX8-324	CHDX8-324C	185mm	135mm	100mm
CHDX8-325	CHDX8-325C	220mm	170mm	110mm
CHDX8-326	CHDX8-326C	270mm	170mm	110mm
CHDX8-327	CHDX8-327C	300mm	200mm	150mm
CHDX8-328	CHDX8-328C	300mm	200mm	180mm
CHDX8-329	CHDX8-329C	210mm	210mm	100mm
CHDX8-330	CHDX8-330C	350mm	250mm	180mm
CHDX8-331	CHDX8-331C	300mm	300mm	180mm
CHDX8-332	CHDX8-332C	400mm	300mm	180mm
CHDX8-333	CHDX8-333C	500mm	400mm	200mm
CHDX8-334	CHDX8-334C	630mm	530mm	255mm
CHDX8-335	CHDX8-335C	830mm	630mm	185mm
CHDX8-336	CHDX8-336C	830mm	630mm	285mm

KEY FEATURES

Easy component maintenance | PCB stand offs | Heavy duty hinge



268
HANDHELD CASES

292
UNIVERSAL ENCLOSURES

318
HEAVY DUTY AND ELECTRICAL ENCLOSURES

342
DESKTOP AND INSTRUMENT CASES

348
DEVELOPMENT BOARD ENCLOSURES

367
ROOM SENSOR ENCLOSURES

370
CUSTOM SIZED ENCLOSURES

ACCESSORIES

Vents to fit X6, X7 and X8 enclosures

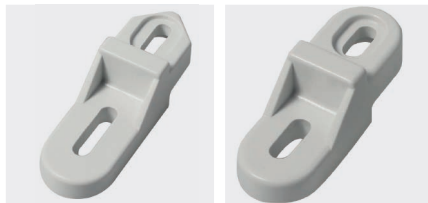
- Vents in two sizes for heat extraction
- The vent includes a gasket for water resistant applications
- Designed to meet the requirements of IP34



PART NO.	CUTOUT DIAMETER	MATERIAL
CHDA201V	63	Polycarbonate
CHDA202V	88	Polycarbonate
CHDA301V	63	ABS
CHDA302V	88	ABS

Mounting brackets to fit X6, X7 and X8 enclosures

- Brackets to mount each enclosure to any surface/wall
- See cross reference page 328 to select the correct size for your enclosure
- Sold individually



PART NO.	SIZE
CHDAPB01	1
CHDAPB02	2

Mounting plates to fit X6, X7 and X8 enclosures

- Material: Steel
- Mounting plates for each enclosure available
- See cross reference page 329 to select the correct size for your enclosure



PART NO.	LENGTH	WIDTH
CHDASMP21	65mm	95mm
CHDASMP22	65mm	115mm
CHDASMP23	65mm	165mm
CHDASMP24	65mm	235mm
CHDASMP25	101mm	161mm
CHDASMP26	159mm	159mm
CHDASMP27	159mm	248mm
CHDASMP28	248mm	348mm
CHDASMP29	295mm	395mm
CHDASMP30	85mm	232mm
CHDASMP32	129mm	179mm
CHDASMP33	129mm	224mm
CHDASMP34	170mm	266mm
CHDASMP35	179mm	179mm
CHDASMP36	216mm	316mm
CHDASMP37	262mm	262mm
CHDASMP38	265mm	365mm
CHDASMP39	358mm	458mm
CHDASMP40	450mm	555mm
CHDASMP41	550mm	755mm
CHDASMP42	248mm	248mm
CHDASMP43	248mm	308mm
CHDASMP44	232mm	535mm
CHDASMP45	345mm	535mm
CHDASMP46	159mm	348mm
CHDASMP49	65mm	65mm

PLASTIC ENCLOSURES

326

+44 (0)1638 716101 | sales@camdenboss.com | www.camdenboss.com

We operate a constant improvement policy, our products are subject to change without notice.

Vers 5



ACCESSORIES

Dual door to fit the X8 enclosure

- Dual door available for some sizes
- Easy to assemble, sturdy construction
- See cross reference page 328 to select the correct size for your enclosure



PART NO.	KIT INCLUDES
CHDX807DD	4 legs, 1 door, 1 door handle, 1 frame, 8 screws
CHDX808DD	4 legs, 1 door, 1 door handle, 1 frame, 8 screws
CHDX810DD	4 legs, 1 door, 1 door handle, 1 frame, 8 screws
CHDX811DD	4 legs, 1 door, 1 door handle, 1 frame, 8 screws
CHDX812DD	4 legs, 1 door, 1 door handle, 1 frame, 8 screws
CHDX813DD	4 legs, 1 door, 1 door handle, 1 frame, 8 screws
CHDX814DD	4 legs, 1 door, 1 door handle, 1 frame, 8 screws

Lock to fit the X8 enclosure

- One or two locks can be fitted, depending on security level required
- See cross reference page 328 to select the correct size for your enclosure
- Moulded in high quality polycarbonate



PART NO.	SIZE
CHDA01L	1
CHDA02L	2
CHDA03L	3
CHDA04L	4

268
HANDHELD CASES

292
UNIVERSAL
ENCLOSURES

318
HEAVY DUTY
AND ELECTRICAL
ENCLOSURES

342
DESKTOP AND
INSTRUMENT
CASES

348
DEVELOPMENT
BOARD
ENCLOSURES

367
ROOM SENSOR
ENCLOSURES

370
CUSTOM SIZED
ENCLOSURES

ACCESSORIES FOR X6, X7 AND X8 SERIES

ENCLOSURE PART NO.		W/MOUNT		LOCKS				DUAL DOOR						
POLY	ABS	CHDA PB01	CHDA PB02	CHDA 01IL	CHDA 02IL	CHDA 03IL	CHDA 04IL	CHDX807DD	CHDX808DD	CHDX8010DD	CHDX811DD	CHDX812DD	CHDX813DD	CHDX814DD
CHDX6-221	CHDX6-321	●												
CHDX6-222	CHDX6-322	●												
CHDX6-223	CHDX6-323	●												
CHDX6-224	CHDX6-324	●												
CHDX6-225	CHDX6-325	●												
CHDX6-226	CHDX6-326	●												
CHDX6-227	CHDX6-327	●												
CHDX6-228	CHDX6-328	●												
CHDX6-229	CHDX6-329	●												
CHDX6-230	CHDX6-330	●												
CHDX7-221	CHDX7-321		●											
CHDX7-222	CHDX7-322		●											
CHDX7-223	CHDX7-323		●											
CHDX7-224	CHDX7-324		●											
CHDX7-225	CHDX7-325		●											
CHDX7-226	CHDX7-326		●											
CHDX7-227	CHDX7-327		●											
CHDX7-228	CHDX7-328		●											
CHDX7-229	CHDX7-329		●											
CHDX7-230	CHDX7-330		●											
CHDX7-231	CHDX7-331		●											
CHDX7-232	CHDX7-332		●											
CHDX8-221	CHDX8-321	●		●										
CHDX8-222	CHDX8-322	●		●										
CHDX8-223	CHDX8-333	●		●										
CHDX8-224	CHDX8-324	●		●										
CHDX8-225	CHDX8-325	●		●										
CHDX8-226	CHDX8-326	●		●										
CHDX8-227	CHDX8-327		●		●			●						
CHDX8-228	CHDX8-328		●		●				●					
CHDX8-229	CHDX8-329		●	●										
CHDX8-230	CHDX8-330		●		●					●				
CHDX8-231	CHDX8-331		●		●						●			
CHDX8-232	CHDX8-332		●		●							●		
CHDX8-233	CHDX8-333		●			●							●	
CHDX8-234	CHDX8-334		●				●							●
CHDX8-235	CHDX8-335		●				●							
CHDX8-236	CHDX8-336		●				●							

*Add 'c' suffix for clear lid versions

+44 (0)1638 716101 | sales@camdenboss.com | www.camdenboss.com

We operate a constant improvement policy, our products are subject to change without notice.

Vers 1



PLASTIC ENCLOSURES

328



268
HANDHELD CASES

292
UNIVERSAL ENCLOSURES

318
HEAVY DUTY AND ELECTRICAL ENCLOSURES

342
DESKTOP AND INSTRUMENT CASES

348
DEVELOPMENT BOARD ENCLOSURES

367
ROOM SENSOR ENCLOSURES

370
CUSTOM SIZED ENCLOSURES

PLASTIC ENCLOSURES

329

ENCLOSURE PART NO.		MOUNTING PLATES																						
POLY	ABS	CHDASMP25	CHDASMP26	CHDASMP27	CHDASMP28	CHDASMP29	CHDASMP30	CHDASMP31	CHDASMP32	CHDASMP33	CHDASMP34	CHDASMP35	CHDASMP36	CHDASMP37	CHDASMP38	CHDASMP39	CHDASMP40	CHDASMP41	CHDASMP42	CHDASMP43	CHDASMP44	CHDASMP45	CHDASMP46	
CHDX6-229	CHDX6-329	●																						
CHDX6-230	CHDX6-330	●																						
CHDX7-221	CHDX7-321		●																					
CHDX7-222	CHDX7-322																						●	
CHDX7-223	CHDX7-323																							●
CHDX7-224	CHDX7-324				●																			
CHDX7-225	CHDX7-325					●																		
CHDX7-226	CHDX7-326			●																				
CHDX7-227	CHDX7-327			●																				
CHDX7-228	CHDX7-328																		●					
CHDX7-229	CHDX7-329																				●			
CHDX7-230	CHDX7-330			●																				
CHDX7-231	CHDX7-331																					●		
CHDX7-232	CHDX7-332																						●	
CHDX8-221	CHDX8-321						●																	
CHDX8-222	CHDX8-322						●																	
CHDX8-223	CHDX8-323							●																
CHDX8-224	CHDX8-324							●																
CHDX8-225	CHDX8-325								●															
CHDX8-226	CHDX8-326									●														
CHDX8-227	CHDX8-327										●													
CHDX8-228	CHDX8-328										●													
CHDX8-229	CHDX8-329											●												
CHDX8-230	CHDX8-330												●											
CHDX8-231	CHDX8-331													●										
CHDX8-232	CHDX8-332														●									
CHDX8-233	CHDX8-333															●								
CHDX8-234	CHDX8-334																●							
CHDX8-235	CHDX8-335																	●						
CHDX8-236	CHDX8-336																		●					

*Add 'c' suffix for clear lid versions

