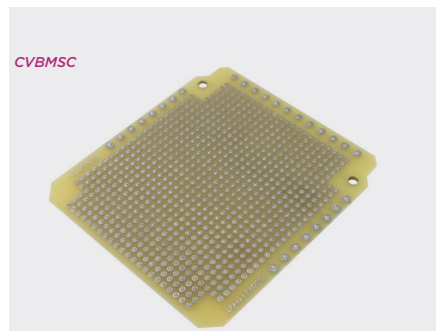
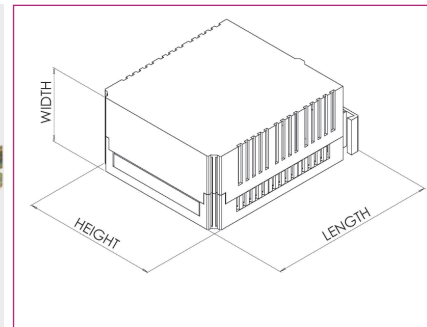
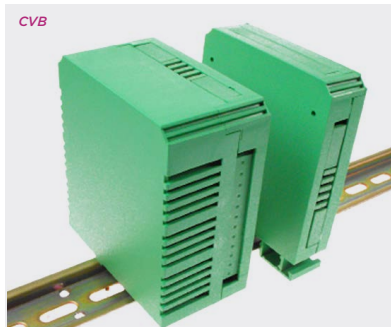


Vertical DIN Rail enclosures: CVB

Product overview

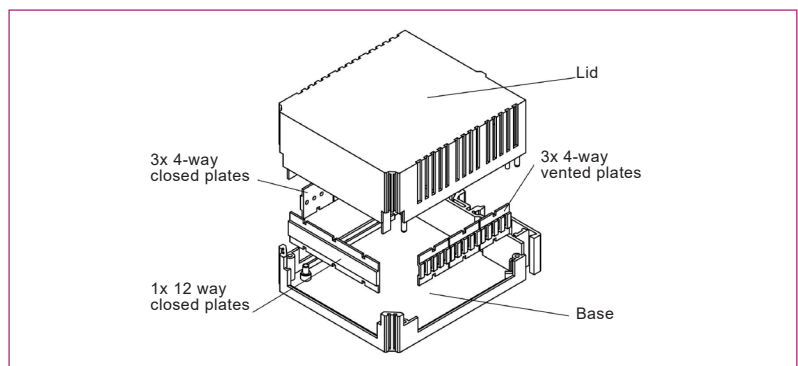
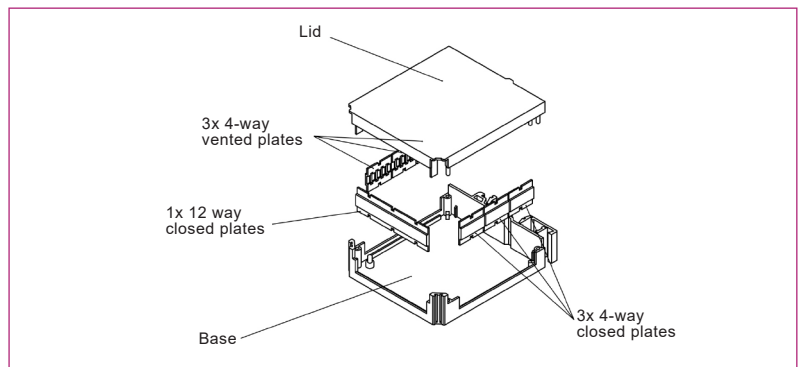
- Designed for 5mm pitch terminal blocks
- Two sizes, 22.5mm or 45mm wide
- Solid and perforated plates to cover unused terminal areas
- Three sides accept 12-way terminal blocks each side
- Complete box contains one 12-way closed, three 4-way closed and three 4-way perforated plates



PART NO.	DESCRIPTION
CVBMSC	Prototyping board

SPECIFICATION	
Rating terminals	8A/250VAC
Cable entry	2x2.5mm ² solid or standard
Terminal protection	IP20
Material	PA66 UL94-V0
Recommended terminal blocks	CTBP9350/8 & CTBP9200/8 CTBP9350/12 & CTBP9200/12

PART NO.	DESCRIPTION	SIZE
CVB225/KIT	Complete plastic box	22.5x82x101.75mm
CVB450/KIT	Complete plastic box	45x82x101.75mm
CVB VENT PLATE	4 way perforated	CVB vent plate
CVB BLIND PLATE	4 way closed plate	CVB blind plate
CVB BLIND PLATE LONG	12 way closed plate	CVB blind plate long



KEY FEATURES

PA66 UL94-V0 | Designed for 5mm pitch terminal blocks

