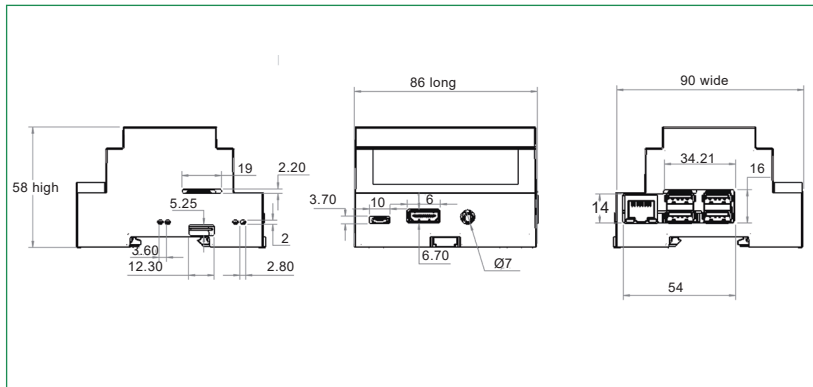
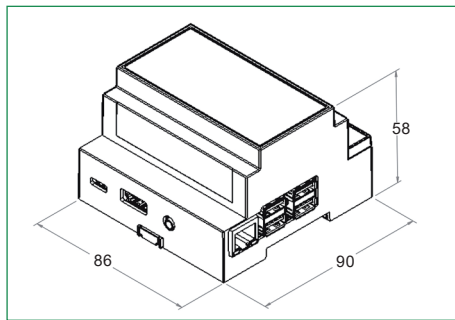
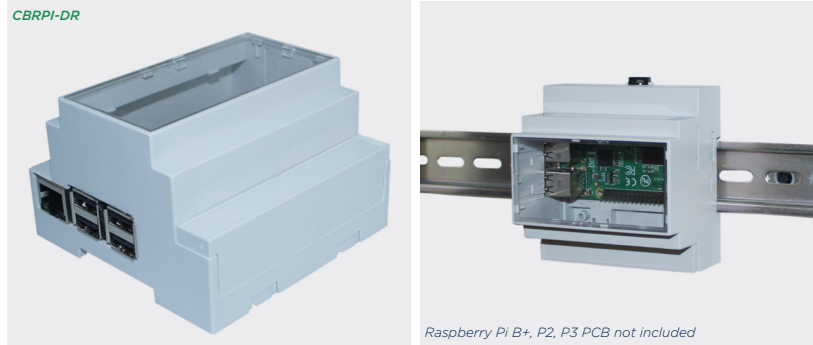


# DIN Rail Pi B+ P2 P3 enclosures

## Product overview

No screws, no glue – just add your **Raspberry Pi** filling!

- Designed to house the Raspberry Pi B+, P2, Pi3 via clip-in design - **NO SCREWS REQUIRED!**
- All cut-outs are pre-cut into the case - **NO MODS REQUIRED!**
- I/O Connector can be accessed through the terminal guard
- Slot for display ribbon cable
- DIN rail mountable
- Wall mountable
- Moulded in PC (polycarbonate)



PART NO.	MATERIALS	DIMENSIONS
CBRPI-DR	Thickness 3mm	L 88mm x W 90mm x H 58mm

## Available in a range of colours, textures and finishes

**Stock colours**

**Textured**

White, Light grey, Mid grey, Dark grey, Grey white, Black

**High gloss**

White

**Other available colours**

**Gloss**

White, Red, Green, Yellow, Orange, Transparent, Lilac, Purple, Black, Blue

**High gloss**

Carbon fibre, Metallic silver, Black

*Additionally we can match your requested, non-standard colours - contact us for availability*

## KEY FEATURES

High quality polycarbonate | DIN rail mountable | No mods required

