

Piezo switches, non-illuminated, 16mm

Product overview

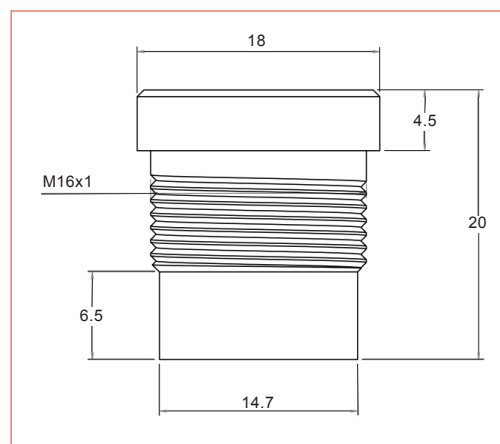
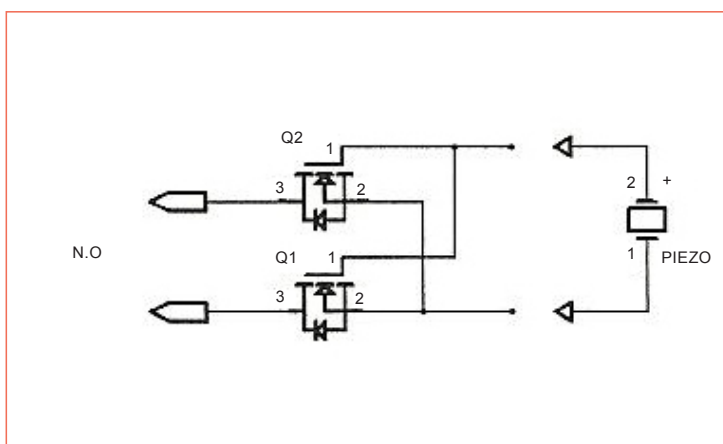
Aluminium piezo switches offering rugged, sealed tamper and vandal resistant solid state switching. Exceptional durability and reliability.

- 18mm diameter actuator
- 16mm diameter mounting hole
- Normally open, momentary action
- Make impulse time of 125-300 msec
- Flat faced
- Wire termination
- IP68 sealed
- Available in three colour finishes



SPECIFICATION	
Operating voltage	1-24V AC/DC
Switching current	0.2A max
Actuation force	3-5N
Operating temperature	40°C to +125°C
Ingress protection	IP68
Lifetime	50 million operations
'ON' resistance	<20Ω
'OFF' resistance	>5mΩ

PART NO.	TYPE
CPS16NF-ALNA	Natural
CPS16NF-ALRD	Red
CPS16NF-ALGN	Green



KEY FEATURES

16mm mounting diameter | NO momentary action | IP68 ingress protection