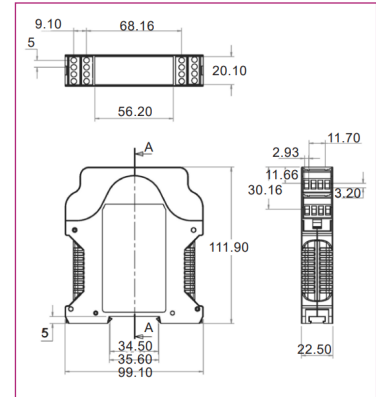


Vertical DIN Rail enclosures: CVB-PLUS1

Product overview

- 22.5mm wide vertical DIN Rail mount housing
- Clip together design for fast assembly
- Supplied with four 4-pole 5mm pitch pluggable terminal blocks
- 16 positions
- Moulded in Grey UL94-V0, PA6 Nylon
- Front and side label recesses
- Solid and vented versions available
- Top hat 35mm DIN Rail or surface mounting



SPECIFICATION	
Rating terminals	15A 300V
Contact resistance	20mΩ
Insulation resistance	500mΩ/DC500V
Withstand voltage	AC2000V/1min
Materials	Pin head: Brass, tin plated Housing: Grey UL94-V0 PA6 Nylon
Terminal block	See page 403 for terminal block specification

PART NO.	DESCRIPTION	LENGTH	WIDTH	HEIGHT
CVB-PLUS1	Solid sides	112mm	22.5mm	99mm
CVB-PLUSIV	Vented sides	112mm	22.5mm	99mm

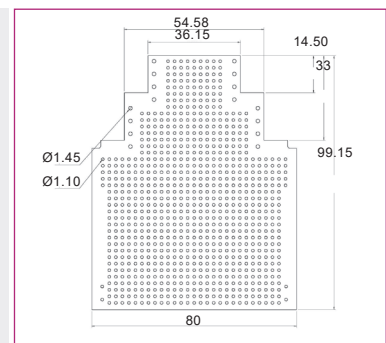
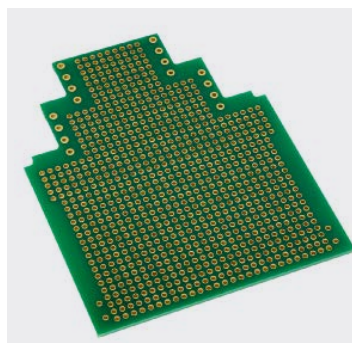
KIT PART DESCRIPTION	NUMBER OF PIECES
Enclosure Base Sides	2
Enclosure Lid	1
Metal DIN Rail Clips	1
Spring	1
5mm 4 pole Female Terminal Block	4
5mm 4 pole Male Terminal Block - Left Side	2
5mm 4 pole Male Terminal Block - Right Side	2

ACCESSORIES

CVB-plus pcb

- Material: 2-layer FR4
- X826 1.3mm diameter holes
- X16 1.5mm diameter holes (reserved for terminal blocks)

PART NO.	DESCRIPTION	LENGTH	WIDTH	HEIGHT
CVB-PLUS-PCB	PCB	80mm	99.2mm	1.6mm



CVB-plus metal earth clip

- Replaces one of the black DIN clips to offer earthing from PCB to DIN Rail.



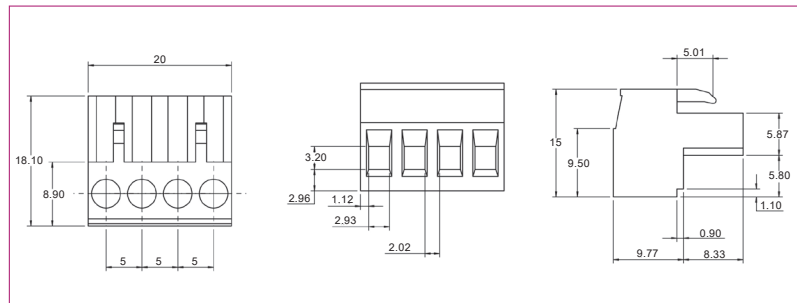
PART NO.	DESCRIPTION
CVB-PLUS-MC	Metal earth clip

Vertical DIN Rail enclosures: Terminal blocks (included with CVB-Plus as standard)

PART NO.	DESCRIPTION
CVBP9200/4-GY	Female terminal block
CVBP935L/4-GY	Male left side terminal block
CVBP935R/4-GY	Male right side terminal block

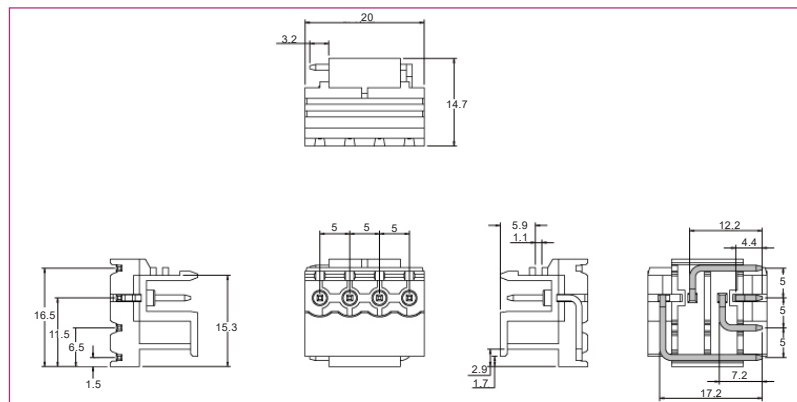
SPECIFICATION		
Rating terminals	15A 300V	
Contact resistance	20mΩ	
Insulation resistance	500mΩ/DC500V	
Withstand voltage	AC2000V/1min	
Materials	Pin header Housing	Brass, tin plated PA66, UL94-V0
Wire range	1.5mm ² (28-14AWG) solid and stranded cable	
Approvals	UL and VDE	

CVBP9200/4-GY



For exact product information see page.62

CVBP935L/4-GY



CVBP935R/4-GY

