

002  
PCB TERMINAL  
BLOCKS081  
TERMINAL STRIPS095  
WIRE TO BOARD  
CONNECTORS100  
CIRCULAR  
CONNECTORS151  
IP68 CONNECTORS158  
INTERFACE  
MODULES AND  
RELAY BASES

# 7.5mm pitch pluggable rising clamp terminal blocks

## Product overview

- 2-12 pole solid block
- Professional rising clamp terminals
- Moulded in green UL94-V0 flame retardant PA66
- Cable acceptance - 0.32 to 1.6mm<sup>2</sup> (28-14AWG) solid and stranded cable
- Pluggable male and female connectors
- Open and closed headers
- Horizontal female plug style
- Polarised mouldings
- Anti solder wicking
- Captive screws and guided pin alignment
- approved

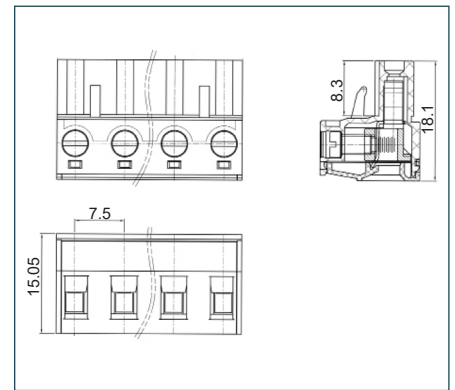
## SPECIFICATION

|                           |                              |
|---------------------------|------------------------------|
| Rating                    | UL=15A/300V, VDE=20A/450V    |
| Insulation resistance     | 500M $\Omega$ /500V          |
| Withstand voltage         | AC2000V/1min                 |
| Contact resistance        | 20m $\Omega$ (max)           |
| Working temperature       | -40°C to +105°C              |
| Moulding                  | UL94-V0 flame retardant PA66 |
| Pin/terminal              | Tin plated brass             |
| Rising clamp              | Brass, nickel plated         |
| Screw/torque              | M3 steel, zinc plated 0.5Nm  |
| Recommended PCB hole size | $\phi$ 1.7mm                 |

## Female connector

| PART NO.    | POLES | LENGTH |
|-------------|-------|--------|
| CTBP9400/2  | 2     | 13mm   |
| CTBP9400/3  | 3     | 20.5mm |
| CTBP9400/4  | 4     | 28mm   |
| CTBP9400/5  | 5     | 35.5mm |
| CTBP9400/6  | 6     | 43mm   |
| CTBP9400/7  | 7     | 50.5mm |
| CTBP9400/8  | 8     | 58mm   |
| CTBP9400/9  | 9     | 65.5mm |
| CTBP9400/10 | 10    | 73mm   |
| CTBP9400/11 | 11    | 80.5mm |
| CTBP9400/12 | 12    | 88mm   |

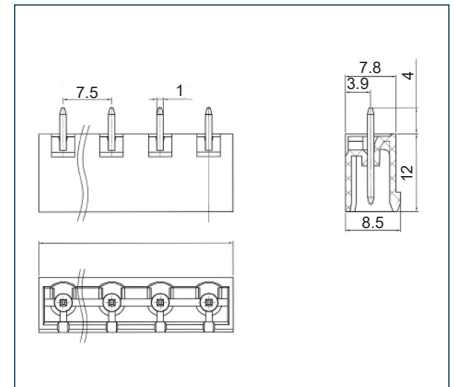
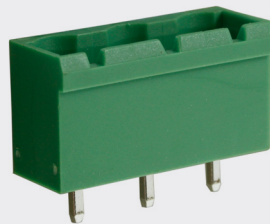
CTBP9400



## PCB mounting male vertical connector (closed ended)

| PART NO.    | POLES | LENGTH |
|-------------|-------|--------|
| CTBP9500/2  | 2     | 15mm   |
| CTBP9500/3  | 3     | 22.5mm |
| CTBP9500/4  | 4     | 30mm   |
| CTBP9500/5  | 5     | 37.5mm |
| CTBP9500/6  | 6     | 45mm   |
| CTBP9500/7  | 7     | 52.5mm |
| CTBP9500/8  | 8     | 60mm   |
| CTBP9500/9  | 9     | 67.5mm |
| CTBP9500/10 | 10    | 75mm   |
| CTBP9500/11 | 11    | 82.5mm |
| CTBP9500/12 | 12    | 90mm   |

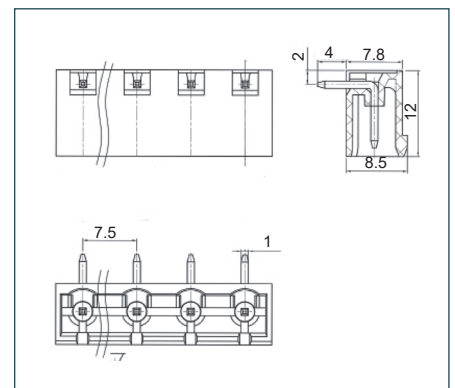
CTBP9500



## PCB mounting male horizontal connector (closed ended)

| PART NO.    | POLES | LENGTH |
|-------------|-------|--------|
| CTBP9550/2  | 2     | 15mm   |
| CTBP9550/3  | 3     | 22.5mm |
| CTBP9550/4  | 4     | 30mm   |
| CTBP9550/5  | 5     | 37.5mm |
| CTBP9550/6  | 6     | 45mm   |
| CTBP9550/7  | 7     | 52.5mm |
| CTBP9550/8  | 8     | 60mm   |
| CTBP9550/9  | 9     | 67.5mm |
| CTBP9550/10 | 10    | 75mm   |
| CTBP9550/11 | 11    | 82.5mm |
| CTBP9550/12 | 12    | 90mm   |

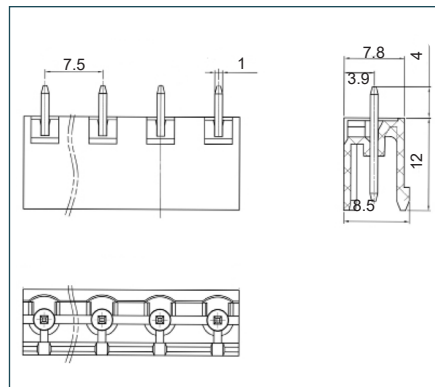
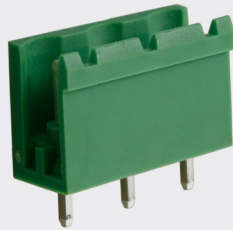
CTBP9550



## PCB mounting male vertical connector (open ended)

| PART NO.      | POLES | LENGTH |
|---------------|-------|--------|
| CTBP9500/2AO  | 2     | 13mm   |
| CTBP9500/3AO  | 3     | 20.5mm |
| CTBP9500/4AO  | 4     | 28mm   |
| CTBP9500/5AO  | 5     | 35.5mm |
| CTBP9500/6AO  | 6     | 43mm   |
| CTBP9500/7AO  | 7     | 50.5mm |
| CTBP9500/8AO  | 8     | 58mm   |
| CTBP9500/9AO  | 9     | 65.5mm |
| CTBP9500/10AO | 10    | 73mm   |
| CTBP9500/11AO | 11    | 80.5mm |
| CTBP9500/12AO | 12    | 88mm   |

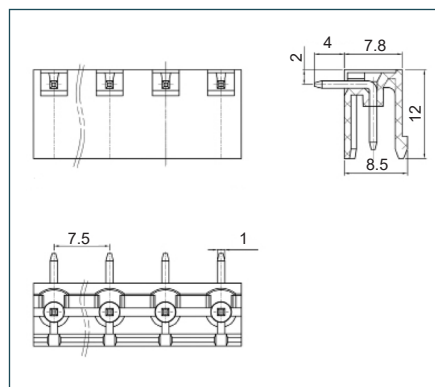
CTBP9500 AO



## PCB mounting male horizontal connector (open ended)

| PART NO.      | POLES | LENGTH |
|---------------|-------|--------|
| CTBP9550/2AO  | 2     | 13mm   |
| CTBP9550/3AO  | 3     | 20.5mm |
| CTBP9550/4AO  | 4     | 28mm   |
| CTBP9550/5AO  | 5     | 35.5mm |
| CTBP9550/6AO  | 6     | 43mm   |
| CTBP9550/7AO  | 7     | 50.5mm |
| CTBP9550/8AO  | 8     | 58mm   |
| CTBP9550/9AO  | 9     | 65.5mm |
| CTBP9550/10AO | 10    | 73mm   |
| CTBP9550/11AO | 11    | 80.5mm |
| CTBP9550/12AO | 12    | 88mm   |

CTBP9550 AO



081

TERMINAL STRIPS

095

WIRE TO BOARD  
CONNECTORS

100

CIRCULAR  
CONNECTORS

151

IP68 CONNECTORS

158

INTERFACE  
MODULES AND  
RELAY BASES