



002

PCB TERMINAL
BLOCKS

081

TERMINAL STRIPS

095

WIRE TO BOARD
CONNECTORS

100

CIRCULAR
CONNECTORS

151

IP68 CONNECTORS

158

INTERFACE
MODULES AND
RELAY BASES

5mm pitch pluggable rising clamp terminal blocks with screw flanges

Product overview

- 2-12 pole solid block
- Professional rising clamp terminals
- Moulded in green UL94-V0 flame retardant PA66
- Cable acceptance - 0.8 to 2mm² (28-14AWG) solid and stranded cable
- Pluggable male and female connectors
- Screw flanges
- Horizontal female plug styles
- Polarised mouldings
- Anti solder wicking
- Captive screws and guided pin alignment
- approved

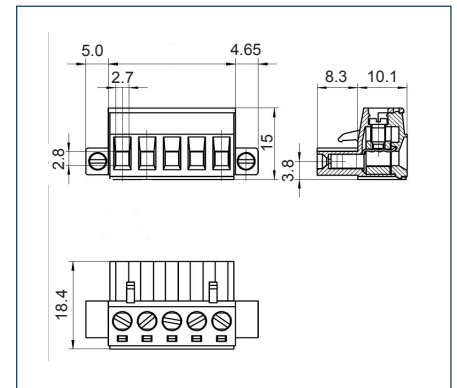
SPECIFICATION

| | |
|---------------------------|---|
| Rating | 20A/450V UL=15A/300V, VDE and IMQ=20A/450V |
| Dielectric strength | 0.5kV |
| Impulse withstand voltage | 2kV |
| Working temperature | -40°C to 105°C |
| Moulding | UL94-V0 flame retardant PA66 |
| Pin/terminal | Copper alloy, NI and SN |
| Rising clamp | Copper alloy, NI and SN |
| Screw/torque | M3 steel zinc plated, 0.5Nm |
| Recommended PCB hole size | ø1.7mm |

Female connector

| PART NO. | POLES | LENGTH |
|---------------|-------|--------|
| CTBP9200/2FL | 2 | 20mm |
| CTBP9200/3FL | 3 | 25mm |
| CTBP9200/4FL | 4 | 30mm |
| CTBP9200/5FL | 5 | 35mm |
| CTBP9200/6FL | 6 | 40mm |
| CTBP9200/7FL | 7 | 45mm |
| CTBP9200/8FL | 8 | 50mm |
| CTBP9200/9FL | 9 | 55mm |
| CTBP9200/10FL | 10 | 60mm |
| CTBP9200/11FL | 11 | 65mm |
| CTBP9200/12FL | 12 | 70mm |

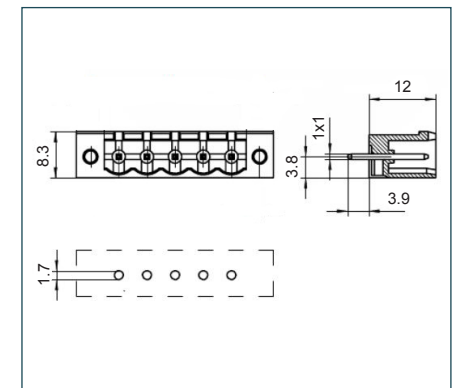
CTBP9200 FL



PCB mounting male vertical connector

| PART NO. | POLES | LENGTH |
|---------------|-------|--------|
| CTBP9300/2FL | 2 | 20mm |
| CTBP9300/3FL | 3 | 25mm |
| CTBP9300/4FL | 4 | 30mm |
| CTBP9300/5FL | 5 | 35mm |
| CTBP9300/6FL | 6 | 40mm |
| CTBP9300/7FL | 7 | 45mm |
| CTBP9300/8FL | 8 | 50mm |
| CTBP9300/9FL | 9 | 55mm |
| CTBP9300/10FL | 10 | 60mm |
| CTBP9300/11FL | 11 | 65mm |
| CTBP9300/12FL | 12 | 70mm |

CTBP9300 FL



PCB mounting male horizontal connector

| PART NO. | POLES | LENGTH |
|---------------|-------|--------|
| CTBP9350/2FL | 2 | 20mm |
| CTBP9350/3FL | 3 | 25mm |
| CTBP9350/4FL | 4 | 30mm |
| CTBP9350/5FL | 5 | 35mm |
| CTBP9350/6FL | 6 | 40mm |
| CTBP9350/7FL | 7 | 45mm |
| CTBP9350/8FL | 8 | 50mm |
| CTBP9350/9FL | 9 | 55mm |
| CTBP9350/10FL | 10 | 60mm |
| CTBP9350/11FL | 11 | 65mm |
| CTBP9350/12FL | 12 | 70mm |

CTBP9350 FL

