



002

PCB TERMINAL
BLOCKS

081

TERMINAL STRIPS

095

WIRE TO BOARD
CONNECTORS

100

CIRCULAR
CONNECTORS

151

IP68 CONNECTORS

158

INTERFACE
MODULES AND
RELAY BASES

10.16mm pitch very high power rising clamp terminal blocks

Product overview

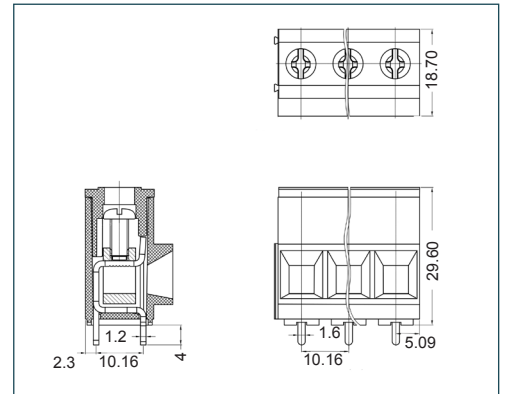
- 2 to 12 pole interlocking terminal block
- Professional rising clamp terminals
- High profile
- Moulded in green UL94-V0 flame retardant PA
- Cable acceptance - 0.6-4.1mm² (22-6 AWG)
- Guided pin alignment
- 57A 750V
- approved

CTBP77VP



SPECIFICATION	
Rating	UL=52A/300V, VDE=57A/750V
Insulation resistance	500M Ω /500V
Withstand voltage	AC2000V/1min
Contact resistance	20m Ω (max)
Working temperature	-40°C to +105°C
Moulding	UL94-V0 flame retardant PA66
Pin/terminal	Tin plated brass
Rising clamp	Brass, nickel plated
Screw/torque	M4 steel, zinc plated 1.2Nm
Recommended PCB hole size	\varnothing 2.4mm

PART NO.	POLES	LENGTH
CTBP77VP/2	2	20.3mm
CTBP77VP/3	3	30.5mm
CTBP77VP/4	4	40.6mm
CTBP77VP/5	5	51mm
CTBP77VP/6	6	61mm
CTBP77VP/7	7	71.1mm
CTBP77VP/8	8	81.3mm
CTBP77VP/9	9	91.4mm
CTBP77VP/10	10	101.6mm
CTBP77VP/11	11	111.8mm
CTBP77VP/12	12	121.9mm



KEY FEATURES

Very high power 57A | Double interlock mechanism | Professional rising clamp

