



002
PCB TERMINAL
BLOCKS

081
TERMINAL STRIPS

095
WIRE TO BOARD
CONNECTORS


100
CIRCULAR
CONNECTORS

151
IP68 CONNECTORS

158
INTERFACE
MODULES AND
RELAY BASES

7.5mm pitch commercial low profile screw terminal blocks

Product overview

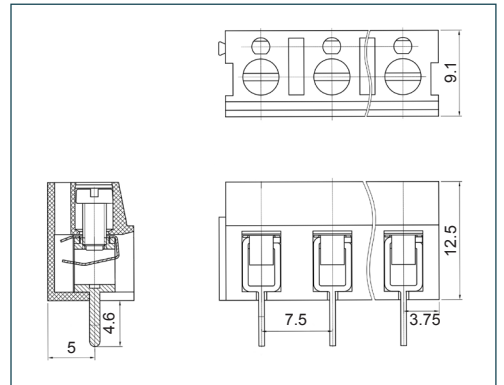
- 2 and 3 pole interlocking
- Wire protector terminals
- Low profile
- Moulded in green UL94-V0 flame retardant PA66
- Cable acceptance - 0.6-1.6mm² (22-14AWG)
- Guided pin alignment
- Anti solder wicking terminal
-  approved

CTBP55VK



SPECIFICATION	
Rating	UL=16A/250V, VDE=24A/250V
Insulation resistance	500MΩ/500V
Withstand voltage	AC2000V/1min
Contact resistance	20mΩ (max)
Working temperature	-40°C to +105°C
Moulding	UL94-V0 flame retardant PA66
Pin/terminal	Tin plated brass
Wire protector	Phosphor bronze, nickel plated
Screw/torque	M2.5 Steel, zinc plated 0.4Nm
Recommended PCB hole size	ø1.5mm

PART NO.	POLES	LENGTH
CTBP55VK/2	2	15mm
CTBP55VK/3	3	22.5mm
CTBP55VK/4	4	30mm
CTBP55VK/5	5	37.5mm
CTBP55VK/6	6	45mm
CTBP55VK/7	7	52.5mm
CTBP55VK/8	8	60mm
CTBP55VK/9	9	67.5mm
CTBP55VK/10	10	75mm
CTBP55VK/11	11	82.5mm
CTBP55VK/12	12	90mm



KEY FEATURES

Commercial value | Interlock mechanism | Wire protector terminals

