



002

PCB TERMINAL
BLOCKS

081

TERMINAL STRIPS

095

WIRE TO BOARD
CONNECTORS

100

CIRCULAR
CONNECTORS

151

IP68 CONNECTORS

158

INTERFACE
MODULES AND
RELAY BASES

5.08mm 45° rising clamp terminal blocks

Product overview

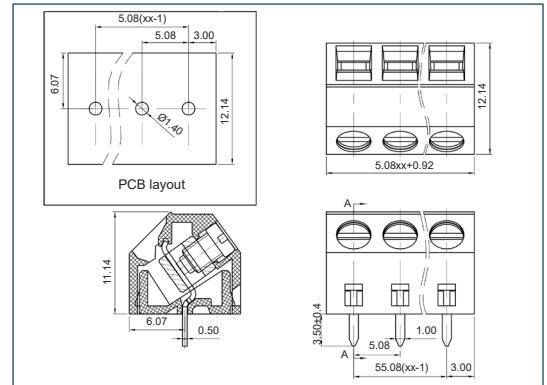
- 2-12 pole solid block
- 45° cable entry
- Moulded in green UL94-V0 flame retardant PA
- Professional rising clamp terminals
- Cable acceptance - 0.13-2.08mm² (26-14AWG)
- Captive screw
- approved

CTBP3008



| SPECIFICATION | |
|---------------------------|------------------------------|
| Rating | UL=15A/300V, VDE=24A/250V |
| Impulse withstand voltage | 2.0kV/1min |
| Working temperature | -40°C to +105°C |
| Moulding | UL94-V0 flame retardant PA66 |
| Pin/terminal | Tinned, nickel plated brass |
| Rising clamp | Tinned, nickel plated brass |
| Screw/torque | M3 steel zinc plated, 0.5Nm |
| Recommended PCB hole size | ø1.6mm |

| PART NO. | POLES | LENGTH |
|-------------|-------|---------|
| CTBP3008/2 | 2 | 11.08mm |
| CTBP3008/3 | 3 | 16.16mm |
| CTBP3008/4 | 4 | 21.32mm |
| CTBP3008/5 | 5 | 26.32mm |
| CTBP3008/6 | 6 | 31.4mm |
| CTBP3008/7 | 7 | 36.48mm |
| CTBP3008/8 | 8 | 41.56mm |
| CTBP3008/9 | 9 | 46.64mm |
| CTBP3008/10 | 10 | 51.72mm |
| CTBP3008/11 | 11 | 56.8mm |
| CTBP3008/12 | 12 | 61.88mm |



KEY FEATURES

45° mounting | Interlocking | Professional rising clamp

