



002

PCB TERMINAL
BLOCKS

5mm high power vertical rising clamp terminal blocks

081

TERMINAL STRIPS

095

WIRE TO BOARD
CONNECTORS

100

CIRCULAR
CONNECTORS



151

IP68 CONNECTORS

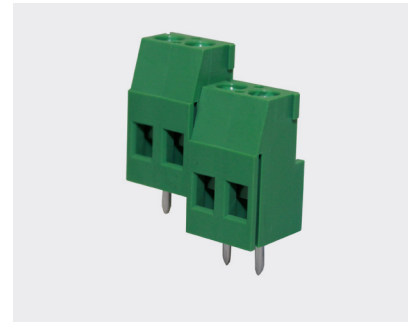
158

INTERFACE
MODULES AND
RELAY BASES

Product overview

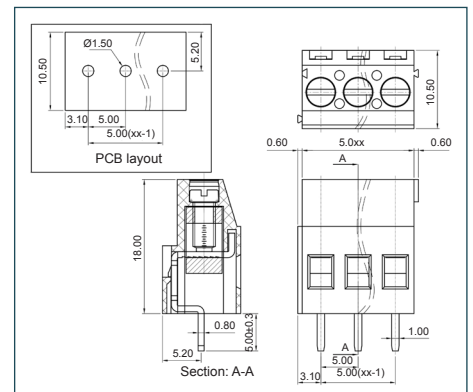
- 2 and 3 pole double interlocking mechanism for increased strength
- 4-12 pole solid block
- Moulded in green UL94-V0 flame retardant PA66
- Professional rising clamp terminals
- Cable acceptance - 0.13-3.31mm² (26-12AWG)
- Guided pin alignment
- Captive screw
-   approved

CTBP0700



SPECIFICATION	
Rating	UL=20A/300V, VDE=24A/250V
Impulse withstand voltage	2kV/1min
Working temperature	-40°C to +105°C
Moulding	UL94-V0 flame retardant PA66
Pin/terminal	Tinned, nickel plated brass
Rising clamp	Tinned, nickel plated brass
Screw/torque	M3 steel zinc plated, 0.5Nm
Recommended PCB hole size	ø1.5mm

PART NO.	POLES	LENGTH
CTBP0700/2	2	10mm
CTBP0700/3	3	15mm
CTBP0700/4	4	20mm
CTBP0700/5	5	25mm
CTBP0700/6	6	30mm
CTBP0700/7	7	35mm
CTBP0700/8	8	40mm
CTBP0700/9	9	45mm
CTBP0700/10	10	50mm
CTBP0700/11	11	55mm
CTBP0700/12	12	60mm



KEY FEATURES

High power | Double interlock mechanism | Professional rising clamp

