



002

PCB TERMINAL
BLOCKS

081

TERMINAL STRIPS

095

WIRE TO BOARD
CONNECTORS

100

CIRCULAR
CONNECTORS

151



IP68 CONNECTORS

158

INTERFACE
MODULES AND
RELAY BASES

6.35mm pitch high power rising clamp terminal blocks

Product overview

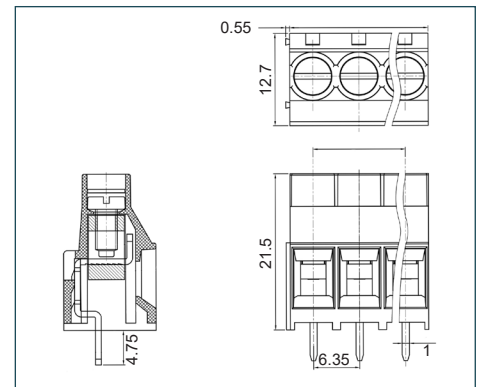
- 2 and 3 pole double interlocking mechanism for increased strength
- Professional rising clamp terminals
- High profile
- Moulded in green UL94-V0 flame retardant PA66
- Cable acceptance - 0.5-4.0mm² (VDE) / 26 - 10AWG (UL)
- 32A 450V
- Guided pin alignment
- Turret design meets requirements of IP2X
-   approved

CTBP04VY



SPECIFICATION	
Rating	UL=30A/300V, VDE=32A/450V
Insulation resistance	500M Ω /500V
Withstand voltage	AC2000V/1min
Contact resistance	20m Ω (max)
Working temperature	-40°C to +105°C
Moulding	UL94-V0 flame retardant PA66
Pin/terminal	Tin plated brass
Rising clamp	Brass, nickel plated
Screw/torque	M3 steel, zinc plated 0.5Nm
Recommended PCB hole size	ϕ 1.5mm

PART NO.	POLES	LENGTH
CTBP04VY/2	2	12.7mm
CTBP04VY/3	3	19.1mm
CTBP04VY/4	4	25.4mm
CTBP04VY/5	5	31.8mm
CTBP04VY/6	6	38.1mm
CTBP04VY/7	7	44.5mm
CTBP04VY/8	8	50.8mm
CTBP04VY/9	9	57.2mm
CTBP04VY/10	10	63.5mm
CTBP04VY/11	11	69.9mm
CTBP04VY/12	12	76.2mm



KEY FEATURES

High powered 32A | Double interlock mechanism | Professional rising clamp

