



002

PCB TERMINAL
BLOCKS

081

TERMINAL STRIPS

095

WIRE TO BOARD
CONNECTORS

100

CIRCULAR
CONNECTORS

151

IP68 CONNECTORS

158

INTERFACE
MODULES AND
RELAY BASES

5mm pitch standard profile 90° rising clamp terminal blocks

Product overview

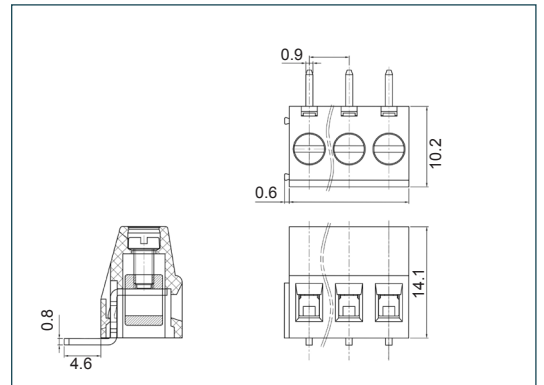
- 2 and 3 pole double interlocking mechanism for increased strength
- Professional rising clamp terminals
- Standard profile 90° mounting
- Moulded in green UL94-V0 flame retardant PA66
- Cable acceptance - 0.6-2mm² (22-12AWG)
- Guided pin alignment
- approved

CTBP0150



SPECIFICATION		PART NO.	POLES	LENGTH
Rating	UL=16A/300V, VDE=20A/250V	CTBP0150/2	2	10mm
Insulation resistance	500M Ω/500V	CTBP0150/3	3	15mm
Withstand voltage	AC2000V/1min	CTBP0150/4	4	20mm
Contact resistance	20mΩ (max)	CTBP0150/5	5	25mm
Working temperature	-40°C to +105°C	CTBP0150/6	6	30mm
Moulding	UL94-V0 flame retardant PA66	CTBP0150/7	7	35mm
Pin/terminal	Tin plated brass	CTBP0150/8	8	40mm
Rising clamp	Brass, nickel plated	CTBP0150/9	9	45mm
Screw/torque	M2.5 steel, zinc plated 0.4Nm	CTBP0150/10	10	50mm
Recommended PCB hole size	ø1.5mm	CTBP0150/11	11	55mm
		CTBP0150/12	12	60mm

PART NO.	POLES	LENGTH
CTBP0150/2	2	10mm
CTBP0150/3	3	15mm
CTBP0150/4	4	20mm
CTBP0150/5	5	25mm
CTBP0150/6	6	30mm
CTBP0150/7	7	35mm
CTBP0150/8	8	40mm
CTBP0150/9	9	45mm
CTBP0150/10	10	50mm
CTBP0150/11	11	55mm
CTBP0150/12	12	60mm



KEY FEATURES

Professional rising clamp | Double interlock mechanism | Standard profile

