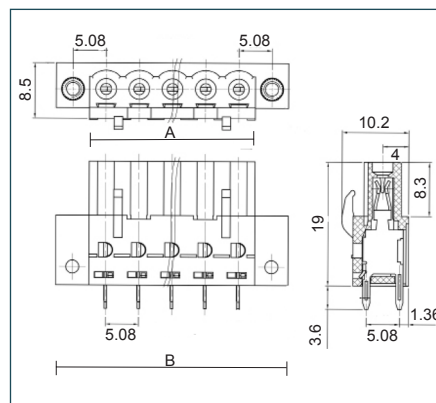
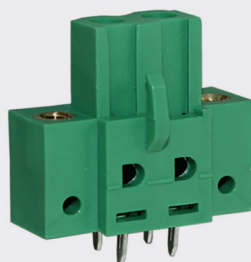


PCB mounting female vertical connector (flanged)

PART NO.	POLES	LENGTH A	LENGTH B
CTBP97VJ/2FL	2	10.2mm	20.32mm
CTBP97VJ/3FL	3	15.2mm	25.4mm
CTBP97VJ/4FL	4	20.3mm	30.48mm
CTBP97VJ/5FL	5	25.4mm	35.56mm
CTBP97VJ/6FL	6	30.5mm	40.64mm
CTBP97VJ/7FL	7	35.6mm	45.72mm
CTBP97VJ/8FL	8	40.6mm	50.8mm
CTBP97VJ/9FL	9	45.7mm	55.88mm
CTBP97VJ/10FL	10	50.8mm	60.96mm
CTBP97VJ/11FL	11	55.9mm	66.04mm
CTBP97VJ/12FL	12	61.0mm	71.12mm

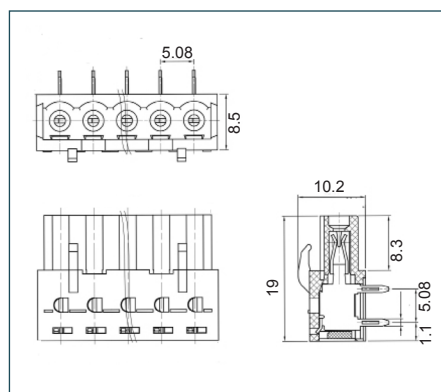
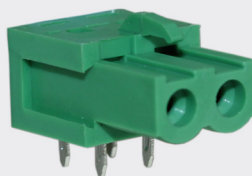
CTBP97VJ FL



PCB mounting female horizontal connector

PART NO.	POLES	LENGTH
CTBP97HJ /2	2	12.2mm
CTBP97HJ /3	3	17.2mm
CTBP97HJ /4	4	22.3mm
CTBP97HJ /5	5	27.4mm
CTBP97HJ /6	6	32.5mm
CTBP97HJ /7	7	37.6mm
CTBP97HJ /8	8	42.6mm
CTBP97HJ /9	9	47.7mm
CTBP97HJ /10	10	52.8mm
CTBP97HJ /11	11	57.9mm
CTBP97HJ /12	12	63.0mm

CTBP97HJ



PCB mounting female horizontal connector (flanged)

PART NO.	POLES	LENGTH A	LENGTH B
CTBP97HJ/2FL	2	10.2mm	20.32mm
CTBP97HJ/3FL	3	15.2mm	25.4mm
CTBP97HJ/4FL	4	20.3mm	30.48mm
CTBP97HJ/5FL	5	25.4mm	35.56mm
CTBP97HJ/6FL	6	30.5mm	40.64mm
CTBP97HJ/7FL	7	35.6mm	45.72mm
CTBP97HJ/8FL	8	40.6mm	50.8mm
CTBP97HJ/9FL	9	45.7mm	55.88mm
CTBP97HJ/10FL	10	50.8mm	60.96mm
CTBP97HJ/11FL	11	55.9mm	66.04mm
CTBP97HJ/12FL	12	61.0mm	71.12mm

CTBP97HJ FL

