


PCB TERMINAL BLOCKS

10mm Pitch Pluggable for Vertical or 90° Mounting Rising Clamp Terminal

- Unique 18 pole strip
- Easily cut to required number of poles
- Can be supplied pre-cut to specified number of poles
- Dual horizontal or vertical mounting
- Moulded in grey UL94-V0 flame retardant PC
- Professional rising clamp terminals
- 0.2-2.5mm² (24-12AWG) solid & stranded cable
- Optional polarising clips
- Anti solder wicking
- Guided pin alignment
- Captive screws
-  approved

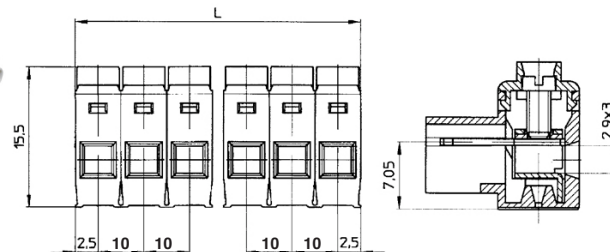
SPECIFICATION

Rating	16A/500V
	UL=14A/300V, VDE&IMQ=16A/500V
Dielectric strength	≥3kV
Impulse withstand voltage	6kV
Working temperature	85°C
Moulding	UL94-V0 flame retardant PC
Pin/terminal	Copper alloy, NI & SN
Rising clamp	Zinc plated steel
Screw/torque	M2.5 steel zinc plated, 0.5Nm
Recommended PCB hole size	ø1.3mm

Female Connector

TYPE NO.	POLES	LENGTH
CTB8300/2F	2	15mm
CTB8300/3F	3	25mm
CTB8300/4F	4	35mm
CTB8300/5F	5	45mm
CTB8300/6F	6	55mm
CTB8300/7F	7	65mm
CTB8300/8F	8	75mm
CTB8300/9F	9	85mm
CTB8300/10F	10	95mm
CTB8300/11F	11	105mm
CTB8300/12F	12	115mm
CTB8300/18F	18	175mm

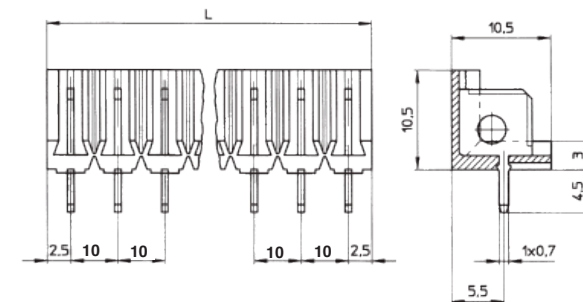
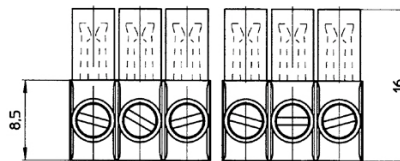
CTB8300/F



PCB Mounting Male

TYPE NO.	POLES	LENGTH
CTB8300/2M	2	15mm
CTB8300/3M	3	25mm
CTB8300/4M	4	35mm
CTB8300/5M	5	45mm
CTB8300/6M	6	55mm
CTB8300/7M	7	65mm
CTB8300/8M	8	75mm
CTB8300/9M	9	85mm
CTB8300/10M	10	95mm
CTB8300/11M	11	105mm
CTB8300/12M	12	115mm
CTB8300/18M	18	175mm

CTB8300/M



Polarising Clip

TYPE NO.	
CTB7300C	1 pair

Fitted to each end of the male connector ensures correct vertical or horizontal orientation of the female part

CTB7300/C

