

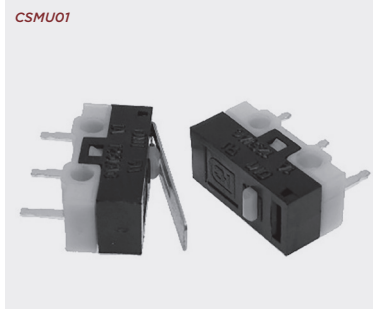


# Ultra miniature microswitches

## Product overview

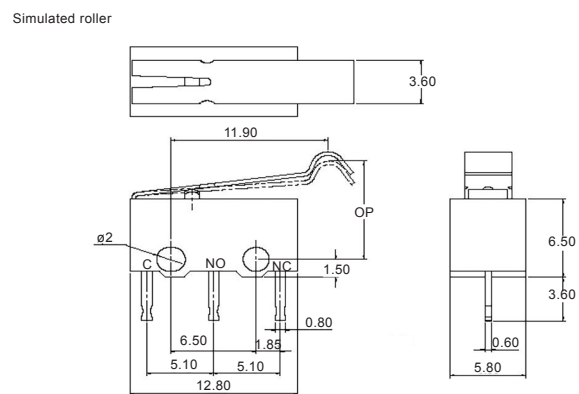
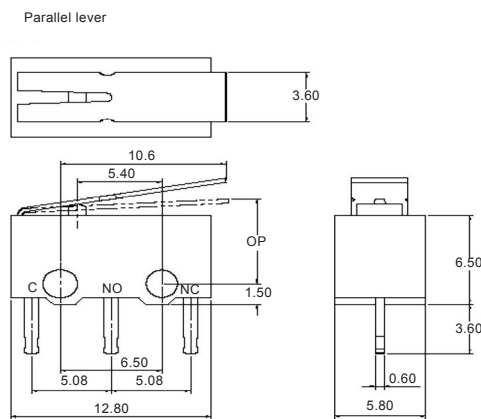
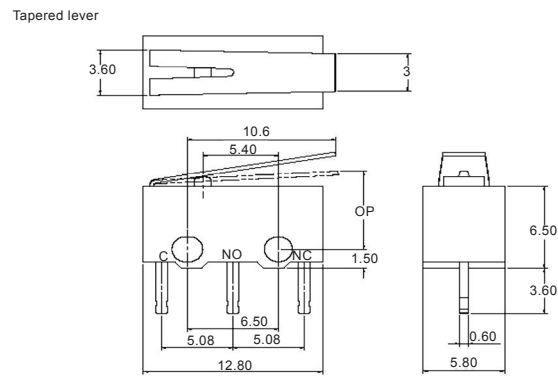
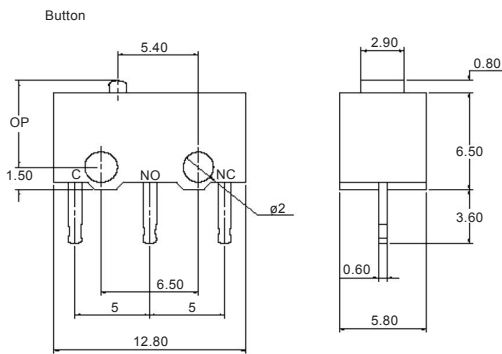
- Rating 3A switching S.P.D.T.
- Space saving simulated
- Button, lever or roller actuators
- PCB mounting
- 90° Pins available to order
-  and  approved



SPECIFICATION	
Rating	3A/125VAC
Contact resistance	50mΩ max
Insulation strength	100MΩ min/500VDC
Electrical life	10,000 operations min
Temperature range	-10°C to +85°C
Material	Case: PBT Button: PBT Actuator: PBT Contacts: Stainless steel AgNi10
Terminals	Brass alloy H65 silver plated

3A	ACTUATOR STYLE	OPERATING FORCE MAX	RELEASE FORCE MAX	OPERATING POSITION	PRE TRAVEL MAX	MOVEMENT DIFFERENTIAL	OVER TRAVEL MIN
CSMU0100	Button	1.5N	0.08N	5.5 ± 0.3mm	N/A	0.2mm	0.2mm
CSMU0101	Tapered lever	0.23N	0.03N	6.2 ± 0.8mm	N/A	0.7mm	0.7mm
CSMU0106	Parallel lever	0.23N	0.03N	7 ± 1.2mm	N/A	0.7mm	0.7mm
CSMU0140	Simulated roller	0.4N	0.05N	8.2 ± 1.5mm	4.2mm	0.9mm	0.9mm

## Types of actuator



## KEY FEATURES

Ultra miniature, space saving profile | Single pole double throw action

