

Piezo exit switch

Product overview

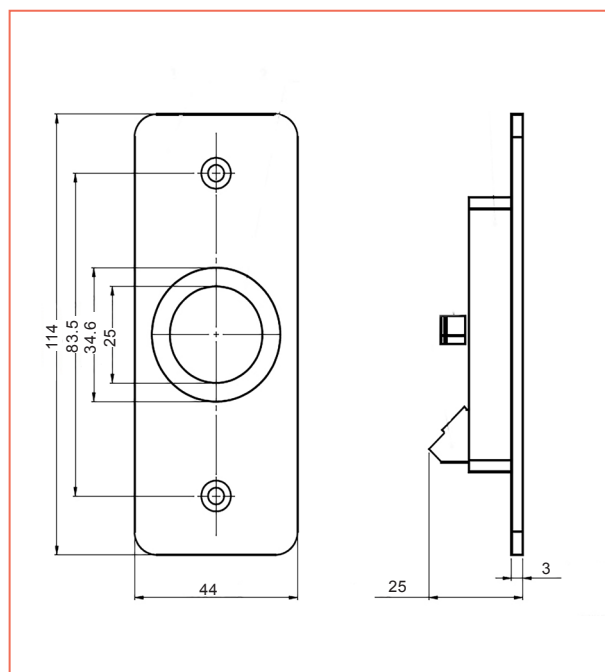
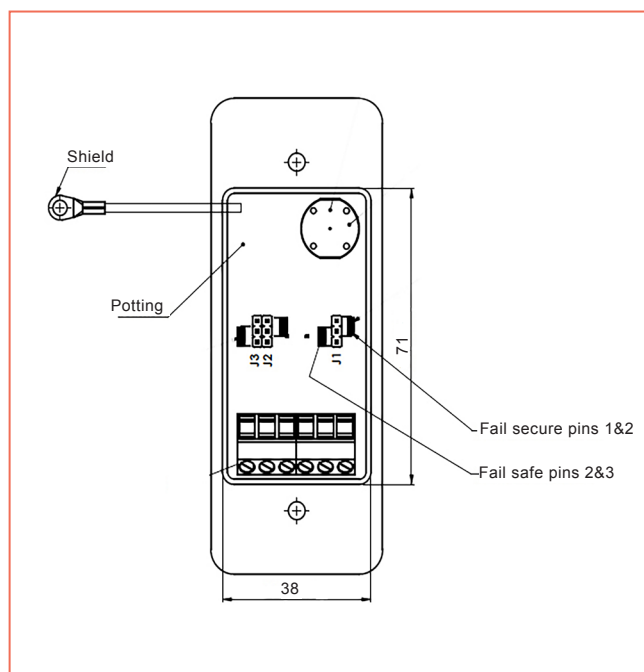
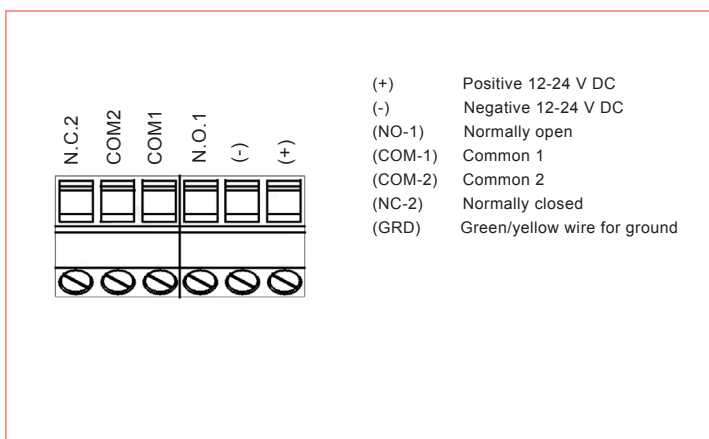
A vandal proof exit switch for users operating in harsh environment, high traffic areas

- Sealed in a rugged, weatherised stainless steel enclosure
- Vandal resistant, tamper resistant, weather and dust resistant to IP68
- Programmable 'door open' time, 'fail secure/fail safe' option selectable
- Green LED 'relay on' and red LED 'relay off' reversible
- 5 year guarantee



SPECIFICATION	
Input voltage	12-24VDC
Switching current	1.5A Max
Actuation force	3-5N
Make impulse time	1 to 60 seconds
Operating temperature	-20°C to 70°C
Storage temperature	-40°C to 85°C
Ingress protection	IP68
Electrical lifetime	15 million operations
Current consumption	40mA idle, 80mA active

PART NO.	TYPE
CPA-EXIT-SW	Exit switch



KEY FEATURES

Anti-vandal design | Multiple function | Reversible LED action