



002

PCB TERMINAL
BLOCKS

081

TERMINAL STRIPS

095

WIRE TO BOARD
CONNECTORS

100

CIRCULAR
CONNECTORS

151

IP68 CONNECTORS

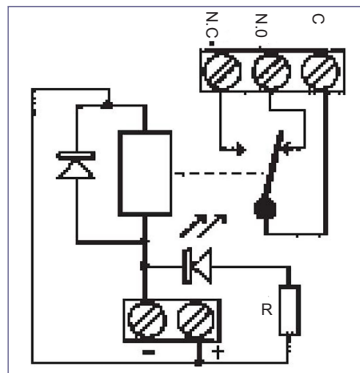
158

INTERFACE
MODULES AND
RELAY BASES

1 pole relay modules

Product overview

- Fits all standard DIN Rail
- Option on connections: screw terminal blocks or pluggable terminals
- Available with plug-in relay for easy replacement or the economy style with relay mounted directly onto the PCB



CIM/R1



SPECIFICATION

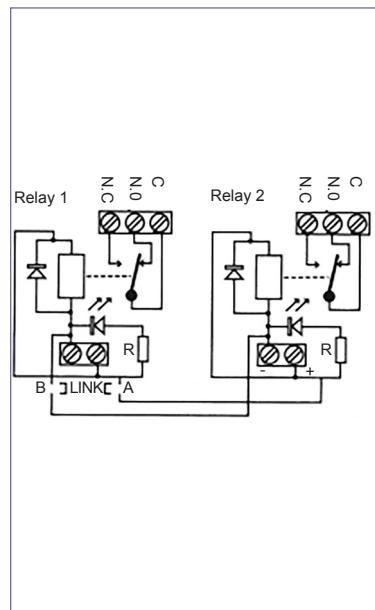
Input operating voltage	24V DC
Operating power	0.5W
Contact configuration	1 changeover
Max switching voltage	250VAC
Max output current	5A
Max switching power	1250VA
Contact material	Ag
Conductor size	4mm ²
LED colour	Green
Electrical life	100x10 ³ (at rated load)
Mechanical life	20x10 ⁶
Width	82mm
Length	22.5mm
Projection	65mm with base 52mm without base

PART NO.	BASE OPTION	TERMINALS
CIM/R1 -WB-S-24	With base	Screw terminals
CIM/R1 -WO-S-24	Without base	Screw terminals
CIM/R1 -WB-C-24	With base	Pluggable terminals (vertical mating)
CIM/R1 -WO-C-24	Without base	Pluggable terminals (vertical mating)

2, 4, 8 pole relay modules

Product overview

- 3 wiring options: The modules can operate as individual relays or by utilising shorting links, provide a common negative or positive, or a combination of all these
- By shorting across:
 - A = Common positive
 - B = Common negative



CIM/R2-R8



SPECIFICATION

Input operating voltage	24V DC
Operating power	0.5W
Contact configuration	1 changeover
Max switching voltage	250VAC
Max output current	5A
Max switching power	1250VA
Contact material	Ag
Conductor size	4mm ² max
LED colour	Green
Electrical life	100x10 ³ (at rated load)
Mechanical life	20x10 ⁶
Width	82mm
Length	2 channels 45mm 4 channels 90mm 8 channels 169mm

PART NO.	POLES	BASE OPTION	TERMINALS
CIM/R2 -WB-S-24	2	With base	Screw terminals
CIM/R2 -WO-S-24	2	Without base	Screw terminals
CIM/R2 -WB-C-24	2	with base	Pluggable terminals (vertical mating)
CIM/R2 -WO-C-24	2	Without base	Pluggable terminals (vertical mating)
CIM/R4 -WB-S-24	4	With base	Screw terminals
CIM/R4 -WO-S-24	4	Without base	Screw terminals
CIM/R4 -WB-C-24	4	With base	Pluggable terminals (vertical mating)
CIM/R4 -WO-C-24	4	without base	Pluggable terminals (vertical mating)
CIM/R8 -WB-S-24	8	With base	Screw terminals
CIM/R8 -WO-S-24	8	Without base	Screw terminals
CIM/R8 -WB-C-24	8	With base	Pluggable terminals (vertical mating)
CIM/R8 -WO-C-24	8	without base	Pluggable terminals (vertical mating)