



002  
PCB TERMINAL  
BLOCKS

081  
TERMINAL STRIPS

095  
WIRE TO BOARD  
CONNECTORS

100  
CIRCULAR  
CONNECTORS

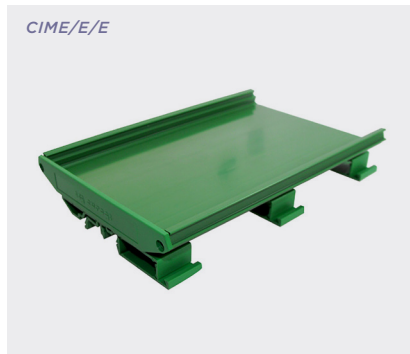
151  
IP68 CONNECTORS

158  
INTERFACE  
MODULES AND  
RELAY BASES

# Euro series 107mm empty extruded interface support

## Product overview

- Suitable for 107mm width PCB's
- Snap fit DIN Rail mounting fixtures
- Available in pre-cut lengths up to 2 metres
- Terminal blocks available in same colour
- Base is moulded in PVC
- End caps and feet are moulded in green UL94-V0 flame retardant PA



PART NO.	DESCRIPTION
CIME/E/BE2000E	2m Extruded base element
CIME/E/EC0000E	End cover
CIME/M/SCREWE	Fixing screws for end covers
CIME/E/FE0000E	Foot element
CIM107/xxxx/E*	Complete module

\*To specify complete modules use pcb length as xxxx, eg. CIM107/130/E is a module for a 130mm pcb. This assumes the PCB has square corners. If the PCB has a radius in each corner, please contact sales.

One end and two feet fitted, supplied with one loose end and two screws.

NB. Cutting tolerance is -0 +0.5mm.

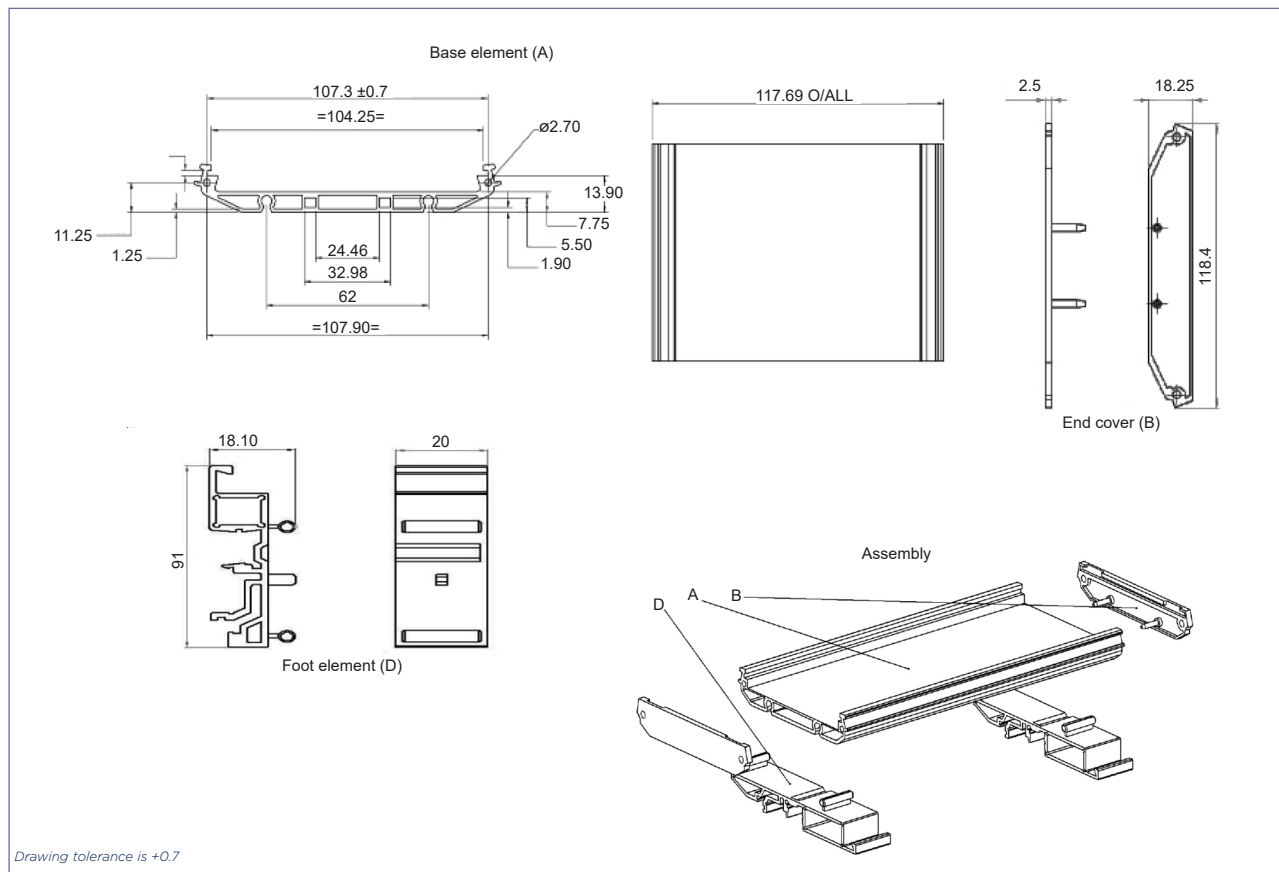
Unless otherwise specified, the number of feet supplied are shown below.

## Complete modules

- Cut to length base element
- One end and feet supplied pre-assembled
- One end and screws supplied loose

LENGTH	NO. OF FEET
16-50mm	1
51-150mm	2
151-300mm	3
301-500mm	4
501-750mm	5
751-999mm	6

PART NO.	DESCRIPTION
CIM107/xxxx/E	Complete module



CONNECT