

# Radial lead fuses (round)

## Product overview

- Quick blow and time delay
- 250V rating
- Supplied in taped ammo pack
- IEC 60127
- Time delay: BSI approved



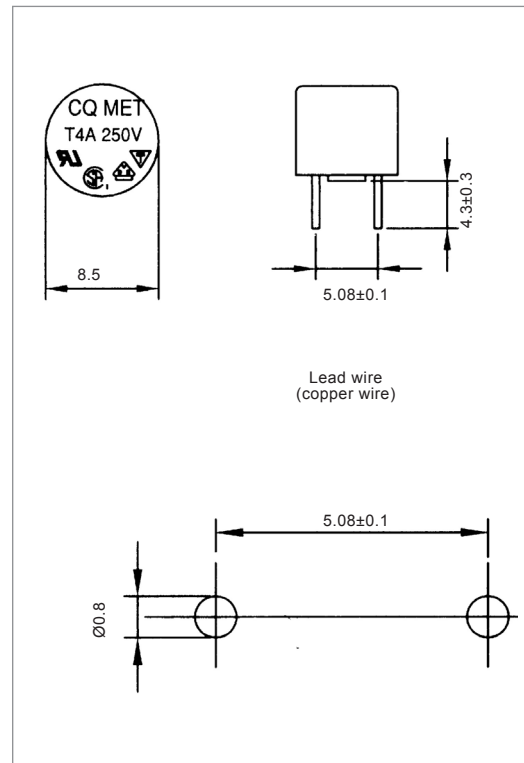
SPECIFICATION		
Rating	Quick blow Time delay	250V 50mA-6.3A 250V 40mA-6.3A
Working temperature	-55°C to 125°C	
Interrupt current	35A or 10x I <sub>n</sub> @ 240V	
Soldering conditions	Infrared reflow Wave flow	260°C for 20 sec max 260°C for 10 sec max
Electrical characteristics	Quick blow	60 mins min @ 1.5 I <sub>n</sub> 30 mins max @ 2.1 I <sub>n</sub> 10 msec min @ 2.75 I <sub>n</sub> 3 sec max @ 2.75 I <sub>n</sub> 3 msec min @ 4 I <sub>n</sub> 300 msec max @ 4 I <sub>n</sub> 20 msec max @ 10 I <sub>n</sub>
	Time delay	60 mins min @ 1.5 I <sub>n</sub> 2 mins max @ 2.1 I <sub>n</sub> 400 msec min @ 2.75 I <sub>n</sub> 10 sec max @ 2.75 I <sub>n</sub> 150 msec min @ 4 I <sub>n</sub> 3 sec max @ 4 I <sub>n</sub> 20 msec min @ 10 I <sub>n</sub> 150 msec max @ 10 I <sub>n</sub>

## Quick blow

PART NO.	RATING	I <sup>2</sup> T
CFRT05F/50	50mA	0.000325
CFRT05F/63	63mA	0.001580
CFRT05F/80	80mA	0.003200
CFRT05F/100	100mA	0.005000
CFRT05F/125	125mA	0.006250
CFRT05F/160	160mA	0.007680
CFRT05F/200	200mA	0.024000
CFRT05F/250	250mA	0.043750
CFRT05F/315	315mA	0.059530
CFRT05F/400	400mA	0.080000
CFRT05F/500	500mA	0.083000
CFRT05F/600	600mA	0.119000
CFRT05F/800	800mA	0.192000
CFRT05F/1	1A	0.300000
CFRT05F/1.25	1.25A	0.468700
CFRT05F/1.6	1.6A	0.896000
CFRT05F/2	2A	1.200000
CFRT05F/2.5	2.5A	2.500000
CFRT05F/3.15	3.15A	3.969000
CFRT05F/4	4A	7.200000
CFRT05F/5	5A	15.000000
CFRT05F/6.3	6.3A	47.628000

## Time delay

PART NO.	RATING	I <sup>2</sup> T
CFRT05T/40	40mA	0.016000
CFRT05T/63	63mA	0.027700
CFRT05T/80	80mA	0.019200
CFRT05T/100	100mA	0.030000
CFRT05T/125	125mA	0.010900
CFRT05T/160	160mA	0.133100
CFRT05T/200	200mA	0.200000
CFRT05T/250	250mA	0.375000
CFRT05T/315	315mA	0.545700
CFRT05T/400	400mA	1.040000
CFRT05T/500	500mA	0.250000
CFRT05T/630	630mA	2.302000
CFRT05T/800	800mA	3.136000
CFRT05T/1	1A	6.500000
CFRT05T/1.25	1.25A	12.500000
CFRT05T/1.6	1.6A	18.944000
CFRT05T/2	2A	32.000000
CFRT05T/2.5	2.5A	37.500000
CFRT05T/3.15	3.15A	84.341000
CFRT05T/4	4A	144.000000
CFRT05T/5	5A	162.500000
CFRT05T/6.3	6.3A	277.830000



## KEY FEATURES

5.08mm fixing pitch | Ammo packed | Fast blow and time delay versions