

Miniblade fuses 16x12mm

Product overview

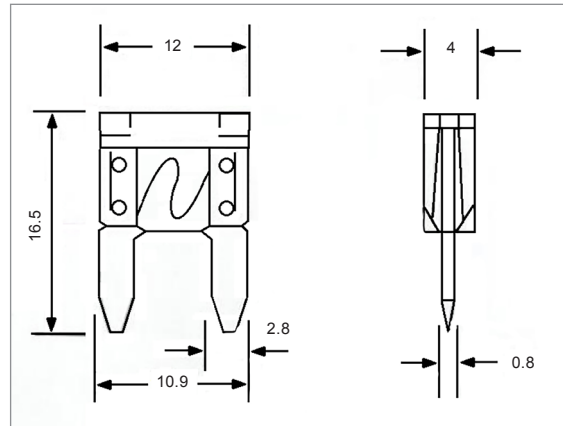
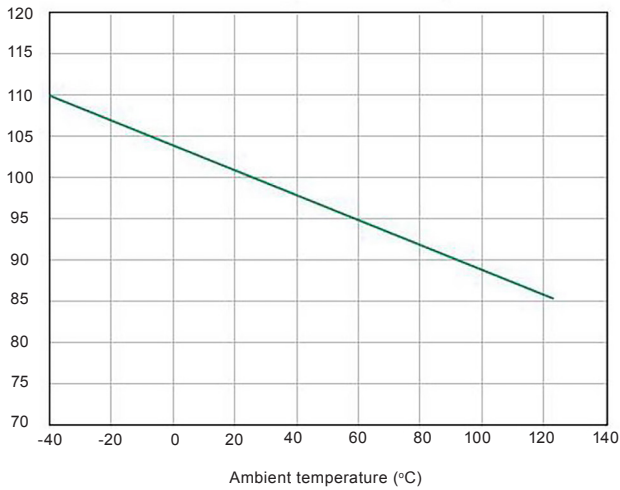
- 5A - 30A options
- Colour coded for current rating identification
- Application: automotive, automation
- Manufactured to UL-248 and IEC60068-2-6
- Resistant to low temperatures and vibration
- Amp ratings moulded into fuse housing
- Fast acting overcurrent protection



SPECIFICATION	
Voltage rating	32V
Operating temperature	-25°C to +85°C
Storage conditions	+10°C to +60°C

PART NO.	RATING	COLOUR CODE
CFBB1612/5	5A	Brown
CFBB1612/7.5	7.5A	Coffee
CFBB1612/10	10A	Red
CFBB1612/15	15A	Blue
CFBB1612/20	20A	Yellow
CFBB1612/25	25A	Natural
CFBB1612/30	30A	Green

Temperature de-rating curve



KEY FEATURES

Automotive and automation fuses | Colour coded | Miniblade size