

002  
PCB TERMINAL  
BLOCKS081  
TERMINAL STRIPS095  
WIRE TO BOARD  
CONNECTORS100  
CIRCULAR  
CONNECTORS151  
IP68 CONNECTORS158  
INTERFACE  
MODULES AND  
RELAY BASES

# Push-pull connectors female fixed socket CCM series



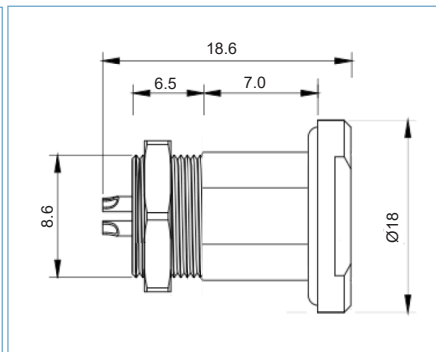
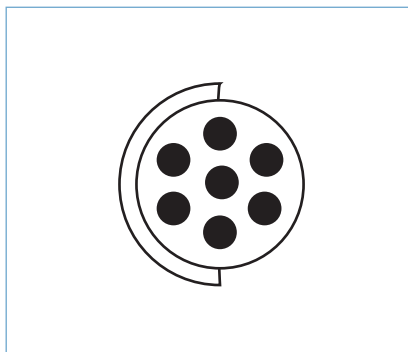
## CCM1S1/07 7 pole

- Premium range of circular connectors
- IP68 sealed using vacuum technology (when connected and using environmental cable clamp)
- Tough, high performance interconnection solution
- Compact panel mounting design
- Ideal for harsh and extreme environments
- Suitable for broadcasting, autosport, military, rail, marine, security, industrial and agricultural applications
- Key coded to prevent misconnection
- Will not disconnect when the cable is under load or stress
- Tool slots for secure and tight mounting
- Tested to IEC 60512-3-5a



PART NO.	DESCRIPTION	POLES	SERIES
CCM1S1/07	Female fixed socket	7	CCM series

SPECIFICATION	
Shell style/model	DEU type fixed socket, female contact
Codes	Code 1
Contact type	Solder type
Contact diameter	0.5mm
Max. stranded conductor	AWG 26-28
Max diameter	0.43mm
Vtest (contact-shell)	800V(AC) 1300V(DC)
Vtest (contact-contact)	1000V(AC) 1800V(DC)
Rated current	2A
Rated voltage	≤160V
Mechanical operation	5000 mating cycles
Housing material	Brass (natural chrome plated) shell and collet nut, nickel plated brass latch sleeve and mid pieces
Insulator	PPS
Contacts	Brass (gold plated)
Humidity (max)	<=95% [at 60°C /140°F]
Vibration	15g [10 Hz - 2000 Hz]
Shock resistance	100g [6 ms]
Salt spray corrosion	>72 hr
Climatical category	50/175/21
Shielding (min)	75 dB (10 MHz)
Shielding (min)	40 dB (1 GHz)
IP rating	IP68 (when connected and using environmental cable clamp)



## KEY FEATURES

Key coded | Deep panel mounting socket | Face slots for tightening with a tool

## ACCESSORIES

Metal and rubber caps for sockets

PART NO.	DESCRIPTION
CCT11	Camcirk metal cap for sockets A1



PART NO.	DESCRIPTION
CCT12	Camcirk rubber cap for sockets A1



## ASSOCIATED PRODUCTS

CCA1P1/A07

- CCA Series A1 size plug

page 105