



Push-pull connectors female fixed socket CCB series



CCB2S1/08 8 pole

- Premium range of circular connectors
- IP68 sealed using vacuum technology (when connected and using environmental cable clamp)
- Tough, high performance interconnection solution
- Compact panel mounting design
- Ideal for harsh and extreme environments
- Suitable for broadcasting, autosport, military, rail, marine, security, industrial and agricultural applications
- Key coded to prevent misconnection
- Will not disconnect when the cable is under load or stress
- Tested to IEC 60512-3-5a

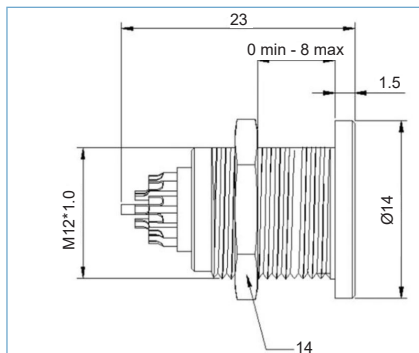
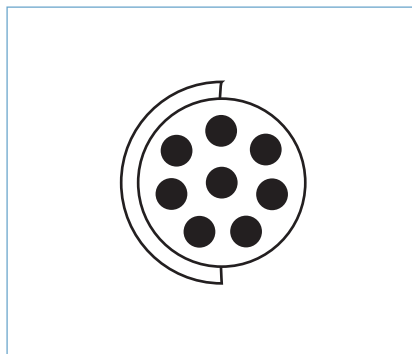
CCB2S1/08



PART NO.	DESCRIPTION	POLES	SERIES
CCB2S1/08	Female fixed socket	08	CCB series

SPECIFICATION

Shell style/model	D type fixed socket, female contact
Codes	Code 1
Contact type	Solder type
Contact diameter	0.7mm
Max. stranded conductor	AWG 21-22
Max diameter	0.79mm
Vtest (contact-shell)	800V(AC) 1400V(DC)
Vtest (contact-contact)	1100V(AC) 1900V(DC)
Rated current	3.9A
Rated voltage	≤200V
Mechanical operation	5000 mating cycles
Housing material	Brass (natural chrome plated) shell and collet nut, nickel plated brass latch sleeve and mid pieces
Insulator	PPS
Contacts	Brass (gold plated)
Humidity (max)	≤95% [at 60°C /140°F]
Vibration	15g [10 Hz - 2000 Hz]
Shock resistance	100g [6 ms]
Salt spray corrosion	>72 hr
Climatical category	50/175/21
Shielding (min)	75 dB (10 MHz)
Shielding (min)	40 dB (1 GHz)
IP rating	IP68 (when connected and using environmental cable clamp)



KEY FEATURES

Key coded | Panel mounting socket | Flat face | Low profile

ACCESSORIES

Metal and rubber caps for sockets

PART NO.	DESCRIPTION
CCT21	Camcircular metal cap for sockets A2



002
PCB TERMINAL
BLOCKS

081
TERMINAL STRIPS

095
WIRE TO BOARD
CONNECTORS

100
CIRCULAR
CONNECTORS

151
IP68 CONNECTORS

158
INTERFACE
MODULES AND
RELAY BASES

ASSOCIATED PRODUCTS

CCA2P1/A08

- CCA Series A2 size plug

page 112

