



002

PCB TERMINAL
BLOCKS

081

TERMINAL STRIPS

095

WIRE TO BOARD
CONNECTORS

100

CIRCULAR
CONNECTORS

151

IP68 CONNECTORS

158

INTERFACE
MODULES AND
RELAY BASES

Push-pull connectors female fixed socket CCB series



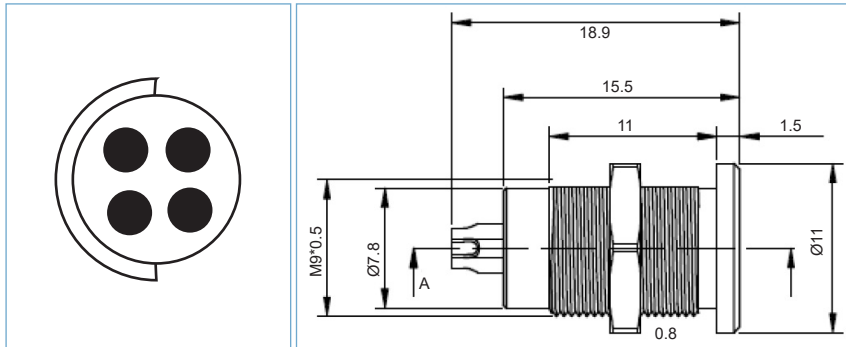
CCB1S1/04 4 pole

- Premium range of circular connectors
- IP68 sealed using vacuum technology (when connected and using environmental cable clamp)
- Tough, high performance interconnection solution
- Compact panel mounting design
- Ideal for harsh and extreme environments
- Suitable for broadcasting, autosport, military, rail, marine, security, industrial and agricultural applications
- Key coded to prevent misconnection
- Will not disconnect when the cable is under load or stress
- Tested to IEC 60512-3-5a



| PART NO. | DESCRIPTION | POLES | SERIES |
|-----------|---------------------|-------|------------|
| CCB1S1/04 | Female fixed socket | 04 | CCB series |

| SPECIFICATION | |
|-------------------------|---|
| Shell style/model | D type fixed socket, female contact |
| Codes | Code 1 |
| Contact type | Solder type |
| Contact diameter | 0.7mm |
| Max. stranded conductor | AWG 21-22 |
| Max diameter | 0.79mm |
| Vtest (contact-shell) | 1200V(AC) 1700V(DC) |
| Vtest (contact-contact) | 1200V(AC) 1800V(DC) |
| Rated current | 5.5A |
| Rated voltage | ≤200V |
| Mechanical operation | 5000 mating cycles |
| Housing material | Brass (natural chrome plated) shell and collet nut, nickel plated brass latch sleeve and mid pieces |
| Insulator | PPS |
| Contacts | Brass (gold plated) |
| Humidity (max) | <=95% [at 60°C /140°F] |
| Vibration | 15g [10 Hz - 2000 Hz] |
| Shock resistance | 100g [6 ms] |
| Salt spray corrosion | >72 hr |
| Climatical category | 50/175/21 |
| Shielding (min) | 75 dB (10 MHz) |
| Shielding (min) | 40 dB (1 GHz) |
| IP rating | IP68 (when connected and using environmental cable clamp) |



KEY FEATURES

Key coded | Panel mounting socket | Flat face | Low profile

ACCESSORIES

Metal and rubber caps for sockets

| PART NO. | DESCRIPTION |
|----------|----------------------------------|
| CCT11 | Camcirt metal cap for sockets A1 |



| PART NO. | DESCRIPTION |
|----------|-----------------------------------|
| CCT12 | Camcirt rubber cap for sockets A1 |



ASSOCIATED PRODUCTS

CCA1P1/A04

- CCA Series A1 size plug

page 103