



002

PCB TERMINAL  
BLOCKS

081

TERMINAL STRIPS

095

WIRE TO BOARD  
CONNECTORS

100

CIRCULAR  
CONNECTORS

151

IP68 CONNECTORS

158

INTERFACE  
MODULES AND  
RELAY BASES

# Push-pull connectors cable mounted plug CCA2 series



## CCA2P1/A04 4 pole

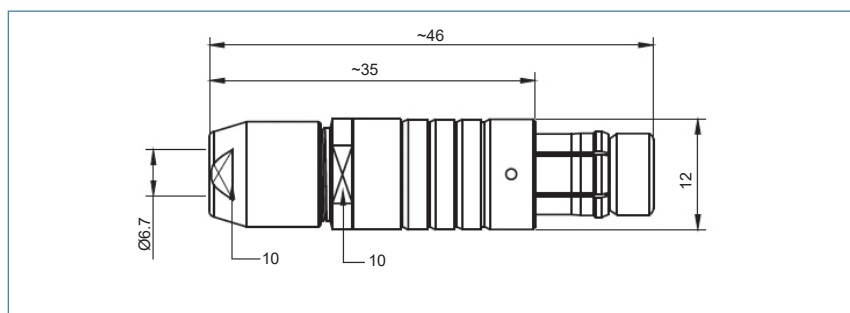
- Premium range of circular connectors
- IP68 sealed using vacuum technology (when connected and using environmental cable clamp)
- Tough, high performance interconnection solution
- Ideal for harsh and extreme environments
- Suitable for broadcasting, motorsport, military, rail, marine, security, industrial and agricultural applications
- Key coded to prevent misconnection
- Will not disconnect when the cable is under load or stress
- Tested to IEC 60512-3-5a

CCA2P1/A04



PART NO.	DESCRIPTION	POLES	SERIES
CCA2P1/A04	Cable mounted plug	4	CCA series

SPECIFICATION	
Shell style/model	Cable mounted straight plug, male contact
Codes	Code 1
Contact type	Solder type
Contact diameter	0.09mm
Max. stranded conductor	AWG 21-22
Max diameter	0.79mm
Vtest (contact-shell)	1200V(AC) 2000V(DC)
Vtest (contact-contact)	1600V(AC) 2400V(DC)
Rated current	7A
Rated voltage	≤250V
Mechanical operation	5000 mating cycles
Housing material	Brass (natural chrome plated) shell and collet nut, nickel plated brass latch sleeve and mid pieces
Insulator	PPS
Contacts	Brass (gold plated)
Humidity (max)	<=95% [at 60°C /140°F]
Vibration	15g [10 Hz - 2000 Hz]
Shock resistance	100g [6 ms]
Salt spray corrosion	>72 hr
Climatical category	50/175/21
Shielding (min)	75 dB (10 MHz)
Shielding (min)	40 dB (1 GHz)
IP rating	IP68 (when connected and using environmental cable clamp)

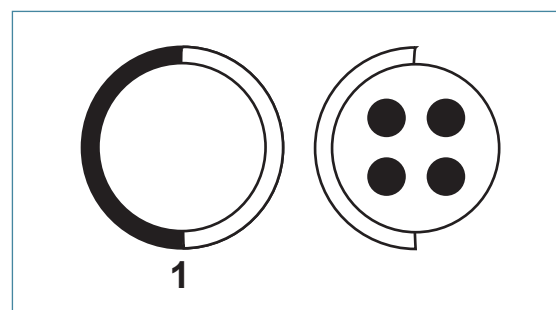


This product should be used with the following cable clamps:

PART NO.	WIRE RANGE
CCV2C/CE	3.7 - 4.2mm
CCV2C/CG	4.2 - 4.7mm
CCV2C/CH	4.7 - 5.2mm
CCV2C/CI	5.2 - 5.7mm
CCV2C/CJ	5.7 - 6.2mm



Non IP68 cable clamps also available



## ACCESSORIES

Metal cap for plugs

PART NO.	DESCRIPTION
CCA22	Camcirc metal cap for plug A2



## ASSOCIATED PRODUCTS

CCB2S1/04	-CCB series A2 size socket	page 134
CCD2S1/04	-CCD series A2 size socket	page 144