

9.5mm (.374") pitch dual barrier chassis mount barrier strip

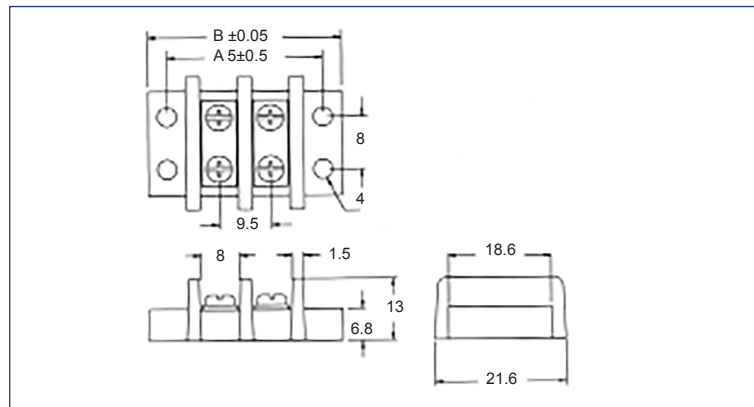
Product overview

- 2 to 12 poles
- Moulded in black UL94-V0 flame retardant polyamide
- Rising saddle washer terminals available on request
- Integral mounting holes
-  approved




SPECIFICATION	
Rating	20A/300V AC
Wire range	0.3 - 3.3mm ² (22-14AWG)
Working temperature	- 40°C to 105°C
Moulding	Black UL94-V0 Polyamide
Screw torque	1.35Nm (12lb-in)
Screw	M3.5, steel Ni plated
Terminal	Brass, tin plated
Withstand voltage	2000V AC
Insulation resistance	>5000MΩ @ 500VDC

PART NO.	POLES	MOUNTING PITCH (B)	LENGTH (A)
CBS64ST8/2	2	28.7mm	36.2mm
CBS64ST8/3	3	38.2mm	45.7mm
CBS64ST8/4	4	47.7mm	55.2mm
CBS64ST8/5	5	57.2mm	64.7mm
CBS64ST8/6	6	66.7mm	74.2mm
CBS64ST8/7	7	76.2mm	83.7mm
CBS64ST8/8	8	85.7mm	93.2mm
CBS64ST8/9	9	95.2mm	103mm
CBS64ST8/10	10	105mm	112mm
CBS64ST8/11	11	114mm	122mm
CBS64ST8/12	12	124mm	131mm



11mm (.433") pitch dual barrier chassis mount barrier strip

Product overview

- 2 to 12 poles
- Moulded in black UL94-V0 flame retardant polyamide
- Rising saddle washer terminals available on request
- Integral mounting holes
-  approved



SPECIFICATION	
Rating	25A/300V AC
Wire range	0.3 - 2mm ² (22-14AWG)
Working temperature	- 40°C to 105°C
Moulding	Black UL94-V0 polyamide
Screw torque	1.35Nm (12lb-in)
Screw	6-32, steel Ni plated
Terminal	Brass, tin plated
Withstand voltage	2000V AC
Insulation resistance	>5000MΩ @ 500VDC

PART NO.	POLES	MOUNTING PITCH (B)	LENGTH (A)
CBS66ST8/2	2	32.4mm	41.2mm
CBS66ST8/3	3	43.5mm	52.3mm
CBS66ST8/4	4	54.6mm	63.4mm
CBS66ST8/5	5	65.7mm	74.5mm
CBS66ST8/6	6	76.8mm	85.6mm
CBS66ST8/7	7	87.9mm	96.7mm
CBS66ST8/8	8	99mm	108mm
CBS66ST8/9	9	110mm	119mm
CBS66ST8/10	10	121mm	130mm
CBS66ST8/11	11	132mm	141mm
CBS66ST8/12	12	143mm	152mm

