


9.5mm (.374") pitch tri barrier PCB barrier strip

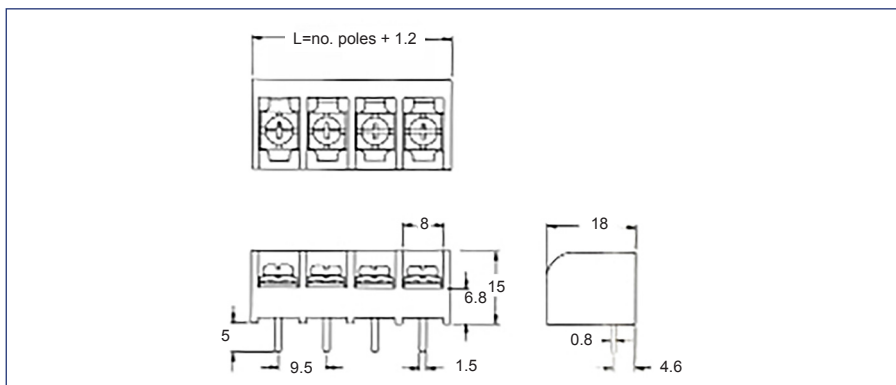
Product overview

- 2 to 12 poles
- Moulded in black UL94-V0 flame retardant PBT
- Rising saddle washer terminals available on request
- Other terminal styles available on request
-  approved



SPECIFICATION	
Rating	15A/300V AC
Wire range	0.3 - 2mm ² (22-14AWG)
Working temperature	- 40°C to 120°C
Moulding	Black UL94-V0 PBT
Screw torque	1.35Nm (12lb-in)
Screw	M3.5, steel Ni plated
Terminal	Brass, tin plated
Withstand voltage	2000V AC
Insulation resistance	>5000MΩ @ 500VDC
Recommended PCB hole size	ø2mm - ø2.2mm

PART NO.	POLES	LENGTH
CBS44ST8/2	2	20.4mm
CBS44ST8/3	3	29.4mm
CBS44ST8/4	4	39.4mm
CBS44ST8/5	5	48.9mm
CBS44ST8/6	6	58.4mm
CBS44ST8/7	7	67.9mm
CBS44ST8/8	8	77.4mm
CBS44ST8/9	9	86.9mm
CBS44ST8/10	10	96.4mm
CBS44ST8/11	11	106mm
CBS44ST8/12	12	115mm



9.5mm (.374") pitch dual barrier PCB barrier strip

Product overview

- 2 to 12 poles
- Moulded in black UL94-V0 flame retardant PBT
- Rising saddle washer terminals available on request
- Other terminal styles available on request
-  approved



SPECIFICATION	
Rating	20A/300V AC
Wire range	0.3 - 3.3mm ² (22-14AWG)
Working temperature	- 40°C to 120°C
Moulding	Black UL94-V0 PBT
Screw torque	1.35Nm (12lb-in)
Screw	M3.5, steel Ni plated
Terminal	Brass, tin plated
Withstand voltage	2000V AC
Insulation resistance	>5000MΩ @ 500VDC
Recommended PCB hole size	ø2mm - ø2.2mm

PART NO.	POLES	LENGTH
CBS34ST8/2	2	21.5mm
CBS34ST8/3	3	31mm
CBS34ST8/4	4	40.5mm
CBS34ST8/5	5	50mm
CBS34ST8/6	6	59.5mm
CBS34ST8/7	7	69mm
CBS34ST8/8	8	78.5mm
CBS34ST8/9	9	88mm
CBS34ST8/10	10	97.5mm
CBS34ST8/11	11	107mm
CBS34ST8/12	12	117mm

