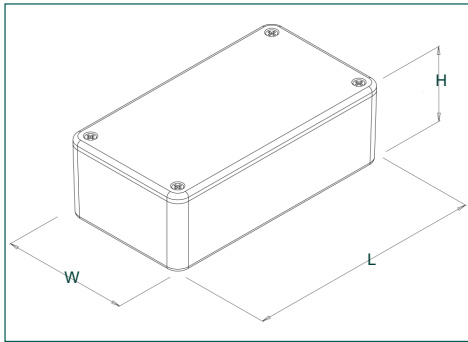
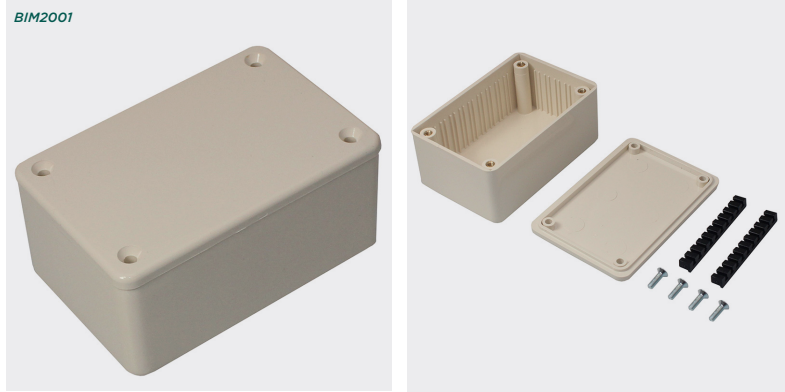


2000 series general purpose ABS cases

Product overview

Extensive range of electronic enclosures with solid ABS lid, designed for a broad range of applications.

- Lid and base moulded in ABS
- Lid mounted by four M3 machine screws
- Brass inserts in base for repetitive removal of the lid
- Polished finish for ease of cleaning
- Excellent properties for machining
- Integral mounting guides to accept 1.6mm PCBs
- Available with clear lid on request (subject to MOQ)
- Available in other colours on request (subject to MOQ)
- 2000 series has been designed to meet the requirements of IP54



SPECIFICATION	
Materials	Lid and base high impact ABS UL94-HB New colours - ABS UL94-V0
Operating temperature	Resistant to temperatures between -5°C and 80°C
Protection class	2000 series has been designed to meet the requirements of IP54
Standard colours	Grey (GY), black (BK), ivory (WH), orange (ORG)
Standard unit includes	Base and lid 4x M3 machine screws
Options (MOQ's apply)	Different colours Clear lid
Available accessories	BIM adaptor (PCB adaptor for horizontal PCB mounting)

GREY	BLACK	IVORY	ORANGE	LENGTH	WIDTH	HEIGHT
*BIM2008/18-GY/GY	*BIM2008/18-BLK/BLK	*BIM2008/18-WH/WH	*BIM2008/18-ORG/ORG	55mm	55mm	42mm
*BIM2000/10-GY/GY	*BIM2000/10-BLK/BLK	*BIM2000/10-WH/WH	*BIM2000/10-ORG/ORG	75mm	50mm	27mm
BIM2001/11-GY/GY	BIM2001/11-BLK/BLK	BIM2001/11-WH/WH	BIM2001/11-ORG/ORG	85mm	56mm	39mm
BIM2002/12-GY/GY	BIM2002/12-BLK/BLK	BIM2002/12-WH/WH	BIM2002/12-ORG/ORG	100mm	50mm	25mm
BIM2003/13-GY/GY	BIM2003/13-BLK/BLK	BIM2003/13-WH/WH	BIM2003/13-ORG/ORG	112mm	62mm	31mm
BIM2007/17-GY	BIM2007/17-BLK	-	-	112mm	62mm	31mm
BIM2004/14-GY/GY	BIM2004/14-BLK/BLK	BIM2004/14-WH/WH	BIM2004/14-ORG/ORG	120mm	65mm	40mm
RTM2030/30-GY	RTM2030/30-BLK	-	-	142mm	80mm	30mm
BIM2005/15-GY/GY	BIM2005/15-BLK/BLK	BIM2005/15-WH	BIM2005/15-ORG/ORG	150mm	80mm	50mm
BIM2006/16-GY/GY	BIM2006/16-BLK/BLK	BIM2006/16-WH/WH	BIM2006/16-ORG/ORG	190mm	110mm	60mm
BIM2009/19-GY/GY	-	-	-	250mm	200mm	64mm

* BIM2008/18 and BIM2000/10 are supplied with self tapping screws.

New colours!

BRIGHT WHITE	LIGHT GREY	LENGTH	WIDTH	HEIGHT
*BIM2008/18-BW/BW	*BIM2008/18-LG/LG	55mm	55mm	42mm
*BIM2000/10-BW/BW	*BIM2000/10-LG/LG	75mm	50mm	27mm
BIM2001/11-BW/BW	BIM2001/11-LG/LG	85mm	56mm	39mm
BIM2002/12-BW/BW	BIM2002/12-LG/LG	100mm	50mm	25mm
BIM2003/13-BW/BW	BIM2003/13-LG/LG	112mm	62mm	31mm
BIM2007/17-BW/BW	BIM2007/17-LG/LG	112mm	62mm	31mm
BIM2004/14-BW/BW	BIM2004/14-LG/LG	120mm	65mm	40mm
RTM2030/30-BW/BW	RTM2030/30-LG/LG	142mm	80mm	30mm
BIM2005/15-BW/BW	BIM2005/15-LG/LG	150mm	80mm	50mm
BIM2006/16-BW/BW	BIM2006/16-LG/LG	190mm	110mm	60mm
BIM2009/19-BW/BW	BIM2009/19-LG/LG	250mm	200mm	64mm

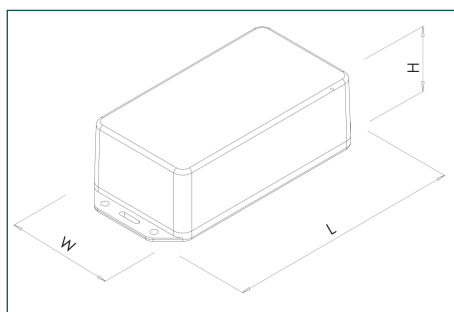


2000 series general purpose ABS cases - flanged

Product overview

For applications requiring surface or wall mounting and protection against dust and water ingress. Provides extra security once mounted by restricting access to the screws in the lid.

- Flanged IP65 lid and base moulded in ABS
- Lid mounted by four M3 machine screws
- Polished finish for ease of cleaning
- Excellent properties for machining
- Integral mounting guides to accept 1.6mm PCBs
- Plastic standoffs in lid for PCB mounting
- 2000 series flanged has been designed to meet the requirements of IP54 and IP65 with gasket accessory



SPECIFICATION	
Materials	Lid and base high impact ABS
Operating temperature	Resistant to temperatures of up to 80°C
Protection class	2000 series flanged has been designed to meet the requirements of IP54 or additionally, IP65 with the gasket accessory
Standard colours	Grey and black
Standard unit includes	Base and flanged lid 4x M3 screws - required torque setting 10 cNm (0.1Nm)
Available accessories	IP65 gasket kits BIM adaptor (PCB adaptor for horizontal PCB mounting)

GREY	BLACK	LENGTH	WIDTH	HEIGHT
BIM2008/IP-GY	BIM2008/IP-BLK	75mm	57mm	43mm
BIM2000/IP-GY	BIM2000/IP-BLK	95mm	52mm	28mm
BIM2001/IP-GY	BIM2001/IP-BLK	105mm	58mm	40mm
BIM2002/IP-GY	BIM2002/IP-BLK	120mm	52mm	26mm
BIM2003/IP-GY	BIM2003/IP-BLK	132mm	64mm	32mm
BIM2004/IP-GY	BIM2004/IP-BLK	140mm	67mm	41mm
BIM2030/IP-GY	BIM2030/IP-BLK	162mm	82mm	31mm
BIM2005/IP-GY	BIM2005/IP-BLK	170mm	82mm	51mm
BIM2006/IP-GY	BIM2006/IP-BLK	210mm	112mm	61mm

IP65 gasket kits

PART NO.	DESCRIPTION
SA00	2000/IP gasket
SA1	2001/IP gasket kit
SA2	2002/IP gasket kit
SA34	2003/IP & 2004/IP gasket kit
SA50	2005/IP & 2030/IP gasket kit
SA6	2006/IP gasket kit
SA8	2008/IP gasket

New colours!

BRIGHT WHITE	LIGHT GREY	LENGTH	WIDTH	HEIGHT
BIM2008/IP-BW	BIM2008/IP-LG	75mm	57mm	43mm
BIM2000/IP-BW	BIM2000/IP-LG	95mm	52mm	28mm
BIM2001/IP-BW	BIM2001/IP-LG	105mm	58mm	40mm
BIM2002/IP-BW	BIM2002/IP-LG	120mm	52mm	26mm
BIM2003/IP-BW	BIM2003/IP-LG	132mm	64mm	32mm
BIM2004/IP-BW	BIM2004/IP-LG	140mm	67mm	41mm
BIM2030/IP-BW	BIM2030/IP-LG	162mm	82mm	31mm
BIM2005/IP-BW	BIM2005/IP-LG	170mm	82mm	51mm
BIM2006/IP-BW	BIM2006/IP-LG	210mm	112mm	61mm

KEY FEATURES

IP65 flanged lid | PCB mounting | Base moulded in ABS

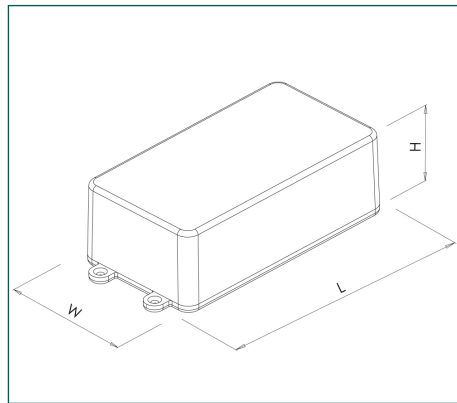
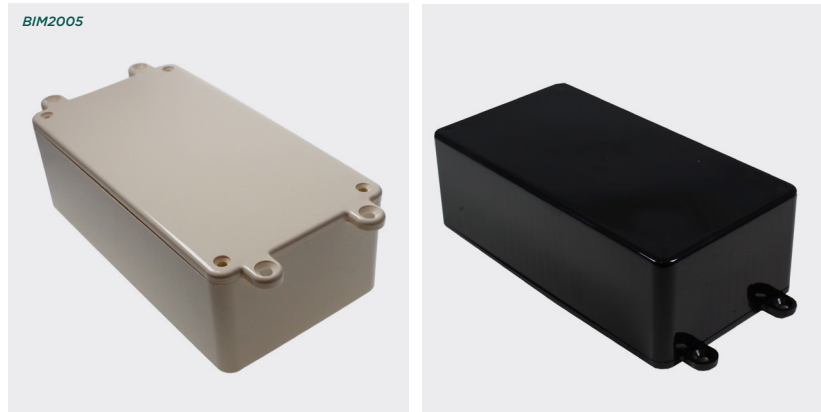


2000 series general purpose ABS cases - lugged lid

Product overview

Electronic enclosures with lugged lid, for broad range of surface mounting applications. Provides extra security once mounted by restricting access to the screws in the lid.

- Lugged lid and base moulded in ABS
- Lid mounted by four M3 machine screws
- Polished finish for ease of cleaning
- Excellent properties for machining
- Integral mounting guides to accept 1.6mm PCBs
- 2000 series has been designed to meet the requirements of IP54



SPECIFICATION	
Materials	Lid and base high impact ABS
Operating temperature	Resistant to temperatures of up to 80°C
Protection class	2000 series has been designed to meet the requirements of IP54
Standard colours	Grey (GY), black (BLK), ivory (WH)
Standard unit includes	Base and lugged lid 4x M3 machine screws
Available accessories	BIM adaptor (PCB adaptor for horizontal PCB mounting)

GREY	BLACK	IVORY	LENGTH	WIDTH	HEIGHT
BIM2003/LUG-GY/GY	BIM2003/LUG-BLK/BLK	BIM2003/LUG-WH/WH	132mm	62mm	31mm
BIM2004/LUG-GY/GY	BIM2004/LUG-BLK/BLK	BIM2004/LUG-WH/WH	140mm	65mm	40mm
BIM2005/LUG-GY/GY	BIM2005/LUG-BLK/BLK	BIM2005/LUG-WH/WH	172mm	80mm	50mm

New colours!

BRIGHT WHITE	LIGHT GREY	LENGTH	WIDTH	HEIGHT
BIM2003/LUG-BW/BW	BIM2003/LUG-LG/LG	132mm	62mm	31mm
BIM2004/LUG-BW/BW	BIM2004/LUG-LG/LG	140mm	65mm	40mm
BIM2005/LUG-BW/BW	BIM2005/LUG-LG/LG	172mm	80mm	50mm

KEY FEATURES

Polished finish | Horizontal PCB mounting | Moulded in ABS

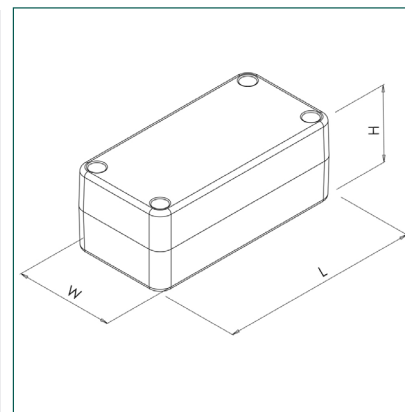


2000 series general purpose ABS cases - deep profile

Product overview

Multi-purpose enclosures for application where tall electrical components require housing. The deep profile 2000 series provides maximum utilisation of the internal volume.

- Deep profile lid and base moulded in ABS
- Brass inserts in base for repeated removal of the lid
- Excellent properties for machining
- Integral mounting guides in base to accept 1.6mm PCB's
- 2000 series has been designed to meet the requirements of IP54



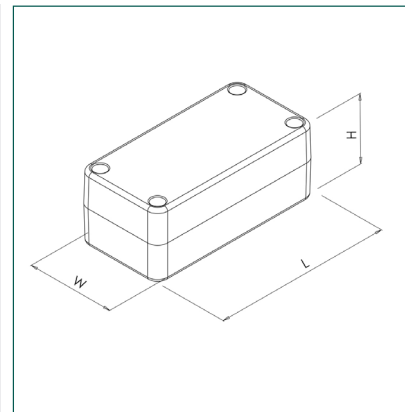
SPECIFICATION	
Materials	Lid and base high impact ABS
Operating temperature	Resistant to temperatures of up to 80°C
Protection class	2000 series has been designed to meet the requirements of IP54
Standard colours	Grey (GY), black (BLK)
Standard unit includes	Base and deep profile lid 4x M3 machine screws
Available accessories	BIM adaptor (PCB adaptor for horizontal PCB mounting)

GREY	BLACK	BRIGHT WHITE <small>New</small>	LIGHT GREY <small>New</small>	LENGTH	WIDTH	HEIGHT
BIM2002/22-GY/GY	BIM2002/22-BLK/BLK	BIM2002/22-BW/BW	BIM2002/22-LG/LG	100mm	50mm	40mm
BIM2004/24-GY/GY	BIM2004/24-BLK/BLK	BIM2004/24-BW/BW	BIM2004/24-LG/LG	120mm	65mm	60mm
BIM2005/25-GY/GY	BIM2005/25-BLK/BLK	BIM2005/25-BW/BW	BIM2005/25-LG/LG	150mm	80mm	76mm
BIM2006/26-GY/GY	BIM2006/26-BLK/BLK	BIM2006/26-BW/BW	BIM2006/26-LG/LG	190mm	110mm	90mm

2000 DEEP PROFILE CLEAR LID

Extensive range of electronic enclosures for applications that require visible electronics and high profile components. Suitable for both electronic and electrical applications.

- Deep profile lid moulded in transparent high impact ABS
- Brass inserts in base for repeated removal of the lid
- Integral mounting guides in base to accept 1.6mm PCB's
- 2000 series has been designed to meet the requirements of IP54



SPECIFICATION	
Materials	Base high impact ABS Lid transparent high impact ABS
Operating temperature	Resistant to temperatures of up to 80°C
Protection class	IP54 2000 series has been designed to meet the requirements of IP54
Standard colours	Grey (GY), black (BLK) and ivory (WH)
Standard unit includes	Base and clear deep profile lid 4x M3 machine screws
Available accessories	BIM adaptor (PCB adaptor for horizontal PCB mounting)

GREY	BLACK	WHITE	BRIGHT WHITE <small>New</small>	LIGHT GREY <small>New</small>	LENGTH	WIDTH	HEIGHT
BIM2002/22-GY/CLR	BIM2002/22-BLK/CLR	BIM2002/22-WH/CLR	BIM2002/22-BW/CLR	BIM2002/22-LG/CLR	100mm	50mm	40mm
BIM2004/24-GY/CLR	BIM2004/24-BLK/CLR	BIM2004/24-WH/CLR	BIM2004/24-BW/CLR	BIM2004/24-LG/CLR	120mm	65mm	60mm
BIM2005/25-GY/CLR	BIM2005/25-BLK/CLR	BIM2005/25-WH/CLR	BIM2005/25-BW/CLR	BIM2005/25-LG/CLR	150mm	80mm	76mm
BIM2006/26-GY/CLR	BIM2006/26-BLK/CLR	BIM2006/26-WH/CLR	BIM2006/26-BW/CLR	BIM2006/26-LG/CLR	190mm	110mm	90mm

+44 (0)1638 716101 | sales@camdenboss.com | www.camdenboss.com

We operate a constant improvement policy, our products are subject to change without notice.

Vers 2



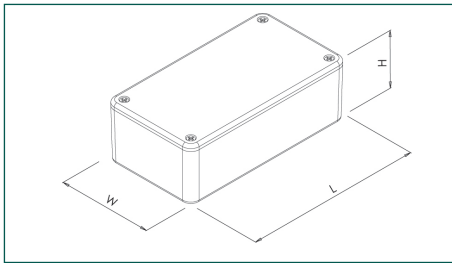
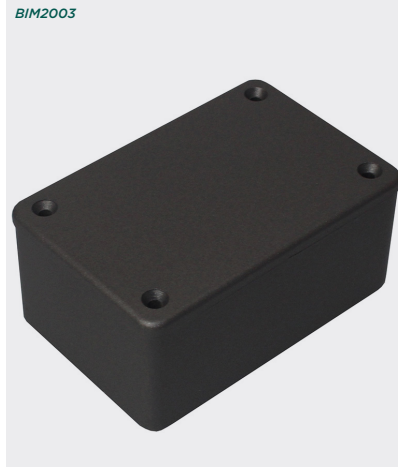
2000 series general purpose ABS cases - EMC

Product overview

A range of high frequency EMC compliant enclosures for shielding electronic equipment.

- Lid and base moulded in ABS
- Graphite dark grey paint finish
- Electromagnetic compatibility EMC coating
- Lid mounted by four M3 machine screws
- Brass inserts in base for repeated removal of the lid
- Excellent properties for machining
- Integral mounting guides to accept 1.6mm PCBs
- 2000 series has been designed to meet the requirements of IP54

BIM2003



SPECIFICATION	
Materials	Lid and base high impact ABS
Operating temperature	Resistant to temperatures of up to 80°C
Protection class	2000 series has been designed to meet the requirements of IP54
Standard colours	Graphite dark grey
Standard unit includes	Base and lid 4x M3 machine screws
Available accessories	BIM adaptor (PCB adaptor for horizontal PCB mounting)

GREY	LENGTH	WIDTH	HEIGHT
BIM2008/18-EMI/RFI	55mm	55mm	42mm
BIM2000/10-EMI/RFI	75mm	50mm	27mm
BIM2001/11-EMI/RFI	85mm	56mm	39mm
BIM2002/12-EMI/RFI	100mm	50mm	25mm
BIM2003/13-EMI/RFI	112mm	62mm	31mm
BIM2007/17-EMI/RFI	112mm	62mm	31mm
BIM2004/14-EMI/RFI	120mm	65mm	40mm
BIM2030/30-EMI/RFI	142mm	80mm	30mm
BIM2005/15-EMI/RFI	150mm	80mm	50mm
BIM2006/16-EMI/RFI	190mm	110mm	60mm
BIM2009/19-EMI/RFI	250mm	200mm	64mm

KEY FEATURES

EMC graphite paint finish | EMC compliant | Moulded in ABS



ACCESSORIES

BIM adaptor

- For horizontal PCB mounting
- Suitable for all BIM2000 series enclosures

PART NO.	DESCRIPTION
BIM/ADAPTOR	BIM adaptor (PCB adaptor for horizontal PCB mounting)

