

90 series Waterproof Soft Grip Handheld Enclosure



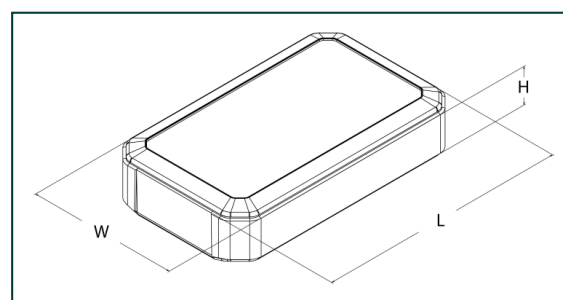
Product overview

IP67 waterproofed enclosures for harsh conditions, stylish design with chamfered edge and made from flame-resistant ABS (UL94-V0).

- Manufactured in ABS UL94-V0
- Available in black or white
- Rubber (TPE) sides provide a soft touch feel and extra protection (five colours available)
- Seven types - plain (no battery), x4 AAA, x3 AAA, x2 AAA x4 AA, x3 AA and x2 AA
- Suitable for various hand-held apparatus, such as measuring instruments, inspection machines, transmitters and medical equipment
- 90 series has been designed to meet the requirements of IP67



SPECIFICATION	
Material	Base and lid ABS UL94-V0
Operating temperature	-10°C to +60°C
Standard colours	Black or white
Standard unit includes	Base, lid, sides, gasket and screws
Protection class	90 series has been designed to meet the requirements of IP67



Black enclosure

PART NO.	LENGTH	WIDTH	HEIGHT	DESCRIPTION
CHH901AB*	146mm	88mm	20mm	x4 AAA battery compartment
CHH901NB*	146mm	88mm	20mm	Plain
CHH902BB*	146mm	88mm	25mm	x2 AA battery compartment
CHH902CB*	146mm	88mm	25mm	x3 AA battery compartment
CHH902NB*	146mm	88mm	25mm	Plain
CHH903BB*	146mm	88mm	33mm	x2 AA battery compartment
CHH903CB*	146mm	88mm	33mm	x3 AA battery compartment
CHH903NB*	146mm	88mm	33mm	Plain
CHH904DB*	126mm	79mm	20mm	x2 AAA battery compartment
CHH904EB*	126mm	79mm	20mm	x3 AAA battery compartment
CHH904NB*	126mm	79mm	20mm	Plain
CHH905DB*	126mm	79mm	28mm	x2 AAA battery compartment
CHH905EB*	126mm	79mm	28mm	x3 AAA battery compartment
CHH905NB*	126mm	79mm	28mm	Plain
CHH906FB*	171mm	95mm	25mm	4xAA battery compartment
CHH906NB*	171mm	95mm	25mm	Plain
CHH907FB*	171mm	95mm	33mm	4xAA battery compartment
CHH907NB*	171mm	95mm	33mm	Plain
CHH908NB*	191mm	126mm	25mm	Plain
CHH908GB*	191mm	126mm	25mm	6xAA battery compartment
CHH909NB*	191mm	126mm	33mm	Plain
CHH909GB*	191mm	126mm	33mm	6xAA battery compartment

* Please add suffix
B= Black rubber corners; G= Grey rubber corners; L= Blue rubber corners; R= Red rubber corners; Y= Yellow rubber corners



White enclosure

PART NO.	LENGTH	WIDTH	HEIGHT	DESCRIPTION
CHH901AW*	146mm	88mm	20mm	x4 AAA battery compartment
CHH901NW*	146mm	88mm	20mm	Plain
CHH902BW*	146mm	88mm	25mm	x2 AA battery compartment
CHH902CW*	146mm	88mm	25mm	x3 AA battery compartment
CHH902NW*	146mm	88mm	25mm	Plain
CHH903BW*	146mm	88mm	33mm	x2 AA battery compartment
CHH903CW*	146mm	88mm	33mm	x3 AA battery compartment
CHH903NW*	146mm	88mm	33mm	Plain
CHH904DW*	126mm	79mm	20mm	x2 AAA battery compartment
CHH904EW*	126mm	79mm	20mm	x3 AAA battery compartment
CHH904NW*	126mm	79mm	20mm	Plain
CHH905DW*	126mm	79mm	28mm	x2 AAA battery compartment
CHH905EW*	126mm	79mm	28mm	x3 AAA battery compartment
CHH905NW*	126mm	79mm	28mm	Plain
CHH906FW*	171mm	95mm	25mm	4xAA battery compartment
CHH906NW*	171mm	95mm	25mm	Plain
CHH907FW*	171mm	95mm	33mm	4xAA battery compartment
CHH907NW*	171mm	95mm	33mm	Plain
CHH908NW*	191mm	126mm	25mm	Plain
CHH908GW*	191mm	126mm	25mm	6xAA battery compartment
CHH909NW*	191mm	126mm	33mm	Plain
CHH909GW*	191mm	126mm	33mm	6xAA battery compartment

* Please add suffix

B= Black rubber corners; G= Grey rubber corners; L= Blue rubber corners; R= Red rubber corners; Y= Yellow rubber corners



292
UNIVERSAL
PLASTIC
ENCLOSURES

317
HEAVY DUTY
AND ELECTRICAL
ENCLOSURES

341
DEVELOPMENT
BOARD
ENCLOSURES

369
VERSATILE IOT
AND SENSOR
ENCLOSURES

PLASTIC ENCLOSURES

