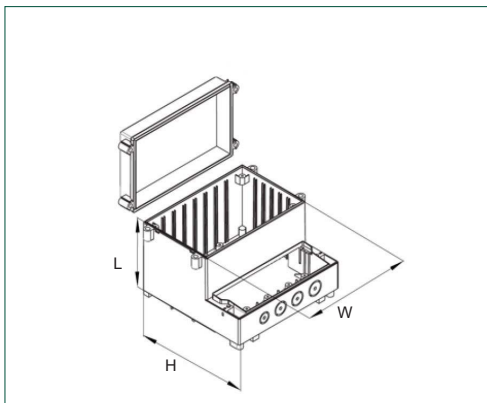


7740 Series Wall Mount Electrical Enclosure

Product overview

Wall mounted enclosure with two compartments, equipped with covers. Designed to house electronic applications.

- Moulded in high quality ABS
- Suitable for high temperatures
- Protects controls and components indoors or outdoors
- Fastening pillars and guide grooves for Vertical and horizontal PCB mounting
- DIN Rail mountable
- EPDM gasket for IP65 seal pre-installed
- 7740 series has been designed to meet the requirements of IP65



SPECIFICATION

Materials	Lid and base ABS, UL94-HB
Operating temperature	-40°C to +80°C
Protection class	7740 series has been designed to meet the requirements of IP65
Standard colours	Light grey, similar to RAL 7035
Standard unit includes	Box, lid, fixing screws and neoprene gasket

PART NO.	LENGTH	WIDTH	HEIGHT
CHD774001	93mm	166mm	161mm
CHD774002	121mm	166mm	161mm
CHD774003	104.5mm	213mm	185mm
CHD774004	132.5mm	256mm	217mm
CHD774005	158mm	296mm	281mm

ACCESSORIES

Wall mounting kit



PART NO.	DESCRIPTION
CHD7700MK	Mounting brackets

KEY FEATURES

EPDM gasket | five sizes | DIN Rail mountable

