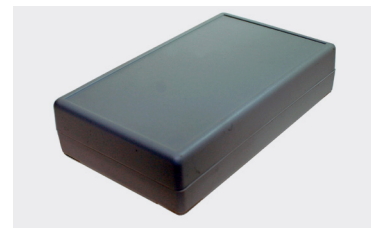


# 7000 series recessed designer cases

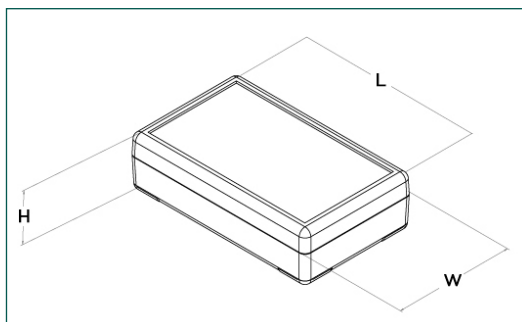
## Product overview

Functional yet modern design in nine different sizes with anti-scratch finish. RFI wall mount options available.

- Lid and base moulded in ABS
- Lid mounted by four M3 machine screws
- Plastic screw covers for aesthetic appearance
- Fine texture anti-scratch finish
- Recesses in lid and base designed to accept membrane keypads or overlays
- Integral mounting guides in lid and base for vertical PCB mounting
- PCB pillars in lid and base
- Surface mountable via moulded fixing points or wall-mounting kit (optional)
- Can be supplied with optional waterproof gasket
- Can be supplied with optional waterproof gasket and RFI shielding
- 7000 series has been designed to meet the requirements of IP54 or additionally, IP65 with the gasket accessory



SPECIFICATION	
Materials	Lid, base and screw covers ABS, UL94-V0
Operating temperature	-20°C - 80°C
Protection class	7000 series has been designed to meet the requirements of IP54 or additionally, IP65 with the gasket accessory
Standard unit includes	Base and lid 4x M3 machine screws (torque 0.5 Nm) 4x screw covers
Options	Wall mounting kit IP65 gasket kits RFI screening



BLACK	LENGTH	WIDTH	HEIGHT	DESCRIPTION
CRDCB0001	90mm	55mm	25mm	Designer case
CRDCB0002	90mm	55mm	40mm	Designer case
CRDCB0003	110mm	85mm	35mm	Designer case
CRDCB0004	127mm	75mm	30mm	Designer case
CRDCB0005	127mm	75mm	45mm	Designer case
CRDCB0006	145mm	90mm	45mm	Designer case
CRDCB0007	190mm	120mm	60mm	Designer case
CRDCB0008	220mm	145mm	50mm	Designer case
CRDCB0009	220mm	145mm	80mm	Designer case

GREY	LENGTH	WIDTH	HEIGHT	DESCRIPTION
CRDCG0001	90mm	55mm	25mm	Designer case
CRDCGG001	90mm	55mm	25mm	With gasket
CRDCERG01	90mm	55mm	25mm	With RFI and gasket
CRDCG0002	90mm	55mm	40mm	Designer case
CRDCGG002	90mm	55mm	40mm	With gasket
CRDCERG02	90mm	55mm	40mm	With RFI and gasket
CRDCG0003	110mm	85mm	35mm	Designer case
CRDCGG003	110mm	85mm	35mm	With gasket
CRDCERG03	110mm	85mm	35mm	With RFI and gasket
CRDCG0004	127mm	75mm	30mm	Designer case
CRDCGG004	127mm	75mm	30mm	With gasket
CRDCERG04	127mm	75mm	30mm	With RFI and gasket
CRDCG0005	127mm	75mm	45mm	Designer case
CRDCGG005	127mm	75mm	45mm	With gasket
CRDCERG05	127mm	75mm	45mm	With RFI and gasket
CRDCG0006	145mm	90mm	45mm	Designer case
CRDCGG006	145mm	90mm	45mm	With gasket
CRDCERG06	145mm	90mm	45mm	With RFI and gasket
CRDCG0007	190mm	120mm	60mm	Designer case
CRDCGG007	190mm	120mm	60mm	With gasket
CRDCERG07	190mm	120mm	60mm	With RFI and gasket
CRDCG0008	220mm	145mm	50mm	Designer case
CRDCGG008	220mm	145mm	50mm	With gasket
CRDCERG08	220mm	145mm	50mm	With RFI and gasket
CRDCG0009	220mm	145mm	80mm	Designer case
CRDCGG009	220mm	145mm	80mm	With gasket
CRDCERG09	220mm	145mm	80mm	With RFI and gasket

## ACCESSORIES

### 7000 series IP65 gasket kits

- EPDM gasket, dust and water protection from IP54 to IP65



PART NO.	DESCRIPTION
CRDCGASK1	Gasket for designer case size 1 and 2
CRDCGASK2	Gasket for designer case size 3
CRDCGASK3	Gasket for designer case size 4 and 5
CRDCGASK4	gasket for designer case Size 6
CRDCGASK5	Gasket for designer case Size 7
CRDCGASK6	Gasket for designer case size 8 and 9

### Wall mounting kit

- Universal design fits all sizes, available in grey
- Fits lid and base, surface 1.5mm from lid or 9.5mm base



PART NO.	DESCRIPTION
CRDCWMKIT	4x mounting feet

## KEY FEATURES

RFI & wall mount options | Anti-scratch finish | PCB mounting

