

268
HANDHELD CASES

292
UNIVERSAL
PLASTIC
ENCLOSURES

317
HEAVY DUTY
AND ELECTRICAL
ENCLOSURES

341
DESKTOP AND
INSTRUMENT
CASES

369
VERSATILE IOT
AND SENSOR
ENCLOSURES

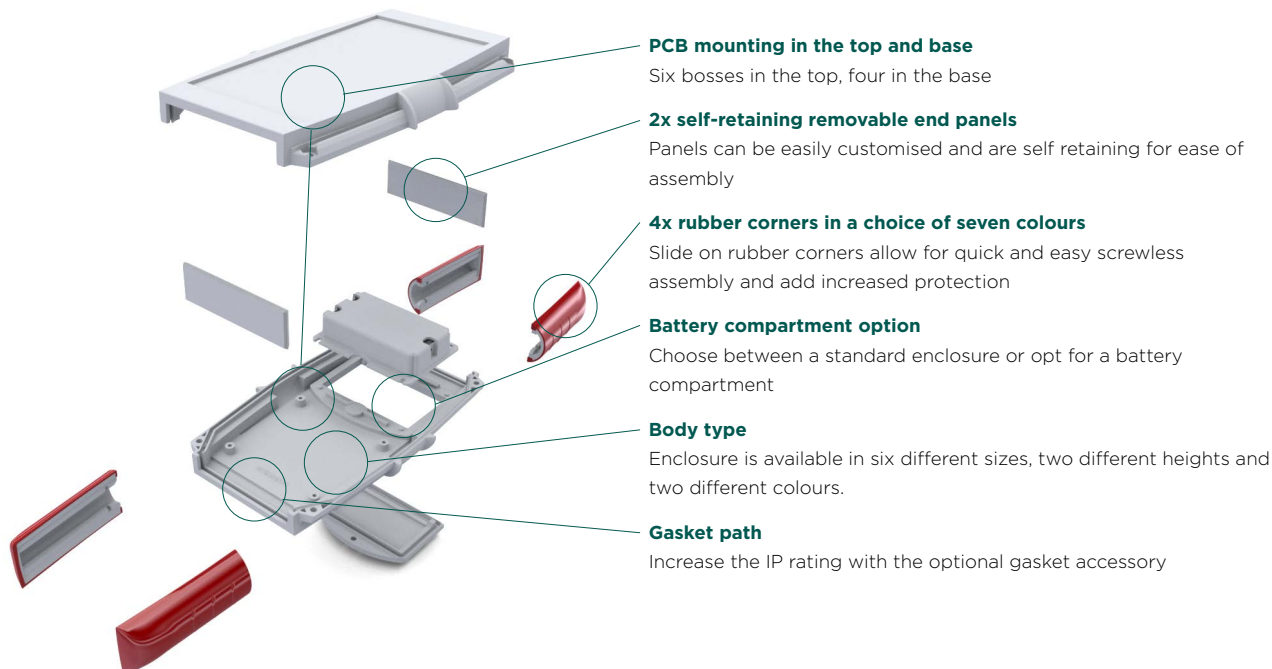
66 Series Rubber Corner Handheld Enclosures

Product overview

Advance your handheld electronic device with the 66 series range of handheld enclosures. This ergonomically designed innovative electronics enclosure is manufactured for quick and easy assembly. Available in a selection of sizes and colours, with the added option of a battery compartment. Moulded in high impact ABS, UL94-V0, the enclosure also features a choice of different coloured rubber corners for added protection. The corners are sold separately, enabling you to choose the colour to suit your requirements. They slide and catch in place to retain the enclosure halves together, allowing for quick and easy screwless assembly*.



Key features



PCB mounting in the top and base

Six bosses in the top, four in the base

2x self-retaining removable end panels

Panels can be easily customised and are self retaining for ease of assembly

4x rubber corners in a choice of seven colours

Slide on rubber corners allow for quick and easy screwless assembly and add increased protection

Battery compartment option

Choose between a standard enclosure or opt for a battery compartment

Body type

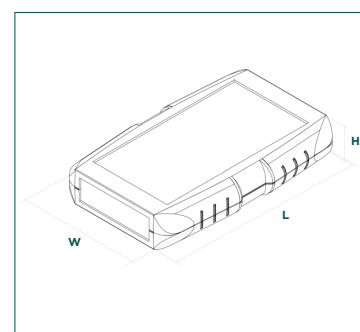
Enclosure is available in six different sizes, two different heights and two different colours.

Gasket path

Increase the IP rating with the optional gasket accessory

Choose your enclosure

INDIVIDUAL SIZE SPECIFICATION					
SIZE	BLACK		GREY		EXTERNAL DIMENSIONS (LXWXH)
	WITHOUT BATTERY DOOR	WITH BATTERY DOOR	WITHOUT BATTERY DOOR	WITH BATTERY DOOR	
1	CHH661NBK	CHH661BBK	CHH661NGY	CHH661BGY	145mm x 95mm x 25mm
2	CHH662NBK	CHH662BBK	CHH662NGY	CHH662BGY	145mm x 95mm x 35mm
3	CHH663NBK	CHH663BBK	CHH663NGY	CHH663BGY	185mm x 110mm x 25mm
4	CHH664NBK	CHH664BBK	CHH664NGY	CHH664BGY	185mm x 110mm x 35mm
5	CHH665NBK	CHH665BBK	CHH665NGY	CHH665BGY	200mm x 120mm x 25mm
6	CHH666NBK	CHH666BBK	CHH666NGY	CHH666BGY	200mm x 120mm x 35mm



Choose your rubber corners

CHOOSE YOUR RUBBER CORNERS		
COLOUR	TO FIT 25MM HIGH CASES	TO FIT 35MM HIGH CASES
BLUE	CHH66CIBL	CHH66C2BL
GREEN	CHH66CIGR	CHH66C2GR
RED	CHH66CIRD	CHH66C2RD
ORANGE	CHH66CIOR	CHH66C2OR
BLACK	CHH66CIBK	CHH66C2BK
YELLOW	CHH66CIYL	CHH66C2YL
GREY	CHH66CIGY	CHH66C2GY



*Screws and nuts are required for the enclosure to be mains compliant

PLASTIC ENCLOSURES



RANGE SPECIFICATION

STANDARD UNIT INCLUDES	1 x base, 1 x lid, 2 end panels Battery door option includes: Battery door and retaining screw (M3 x6mm Pozidriv CSK)			
MATERIALS	Enclosure, lid & panels	UL94-V0 ABS		
	Rubber corners	TPE coated polypropylene		
HARDWARE (NOT SUPPLIED)	25mm enclosure	M3 nut and 8mm pan screw		
	35mm enclosure	M3 nut and 16mm pan screw		
	PCB screw	No.2 (2.2mm) 1/4" (6.5mm) pan		
ENCLOSURE COLOURS	Grey	RAL 7035		
	Black	RAL 9004		
COMPLIANCE	RoHS compliant			
IP RATING	Designed to meet the requirements of IP54 (IP65 with gasket)			
OPERATING TEMPERATURE	-10°C to 80°C			
TEST RESULTS	Standard	Test	Result	Test report
	UL94	Flammability	V0	E248280
	EN62262	Impact test	IK08	TR114
SCREW TORQUE	Enclosure screw/nut	70Nm		
	PCB screw	20Nm		
PURCHASING INFORMATION	Country of origin	China		
	Commodity code	3923101000		
	Weight	Size 1: 103g Size 2: 122g Size 3: 151g	Size 4: 174g Size 5: 181g Size 6: 191g	
OPTIONS	Enclosure type: Handheld For alternative colours and materials MOQs will apply.			

Potential industries / applications

Handheld diagnostics equipment, control devices, voltmeters, sensor equipment, Mechanics, electrician marine, builders, surveyors.

Customisation options

Digital printing, screen printing, machining / drilling and engraving.



PCB DIMENSIONS FOR ENCLOSURE SIZES

SIZE	PCB MOUNTING POSITION	MAX PCB DIMENSIONS (LxW)	
		WITHOUT BATTERY COMPARTMENT	WITH BATTERY COMPARTMENT
1	LID	134mm x 70.16mm	-
	BASE	134mm x 70.16mm	70.5mm x 70.16mm
2	LID	134mm x 70.16mm	-
	BASE	134mm x 70.16mm	70.5mm x 70.16mm
3	LID	174.29mm x 84.34mm	-
	BASE	174.29mm x 84.34mm	111mm x 84.34mm
4	LID	174.29mm x 84.34mm	-
	BASE	174.29mm x 84.34mm	111mm x 84.34mm
5	LID	189mm x 94.86mm	-
	BASE	189mm x 94.86mm	120mm x 94.86mm
6	LID	189mm x 94.86mm	-
	BASE	189mm x 94.86mm	120mm x 94.86mm

Dimensions taken from edge-to-edge, corner obstructions need to be accounted for.

Battery compartment accessory

PART NO.	CLIP-IN BATTERY COMPARTMENT TYPE	COLOUR
CHHBAT1BK	PP3	Black
CHHBAT1GY	PP3	Grey
CHHBAT2BK	AA	Black
CHHBAT2GY	AA	Grey



Weatherproof gasket accessory

PART NO.	DESCRIPTION
CHH66GSKT	66 Series weatherproof gasket



PLASTIC ENCLOSURES

