

# 2955-40 series ergo keyfobs

## Product overview

Ergonomically shaped ABS keyfobs with 1-to-5 rubber buttons and clear LED window.

- Moulded in ABS
- Snap-fit assembly of lid and base
- 1 to 5 ergonomically shaped rubber buttons with contact pads
- Base incorporates a separate enclosed battery
- Compartment for coin cells
- Eyelet for keyring
- Clear silicone LED window



**292**  
UNIVERSAL ENCLOSURES

**318**  
HEAVY DUTY AND ELECTRICAL ENCLOSURES

**342**  
DESKTOP AND INSTRUMENT CASES

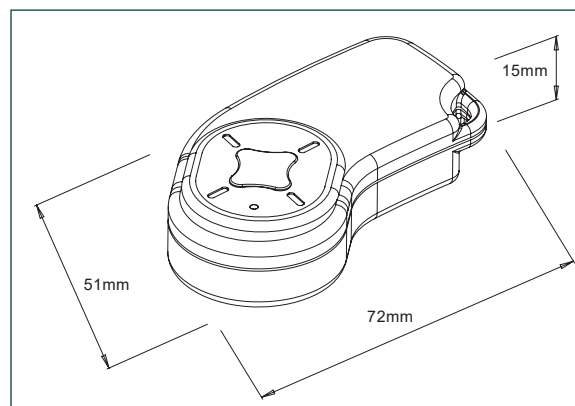
**348**  
DEVELOPMENT BOARD ENCLOSURES

**367**  
ROOM SENSOR ENCLOSURES

**370**  
CUSTOM SIZED ENCLOSURES

SPECIFICATION	
Materials	Base, lid and adaptor ABS Push buttons silicone
Standard colours	Base, lid and adaptor black similar to RAL 9004 Push buttons light grey similar to RAL 7037
Standard unit includes	Base and lid Push-button insert Button adaptor

BLACK	DESCRIPTION
2955-40R-1	1 button
2955-40R-2	2 button
2955-40R-3	3 button
2955-40R-4	4 button
2955-40R-5	5 button



## KEY FEATURES

Snap-fit assembly | Eyelet for keyring | Moulded in ABS



## ACCESSORIES

2955 series battery holder

- Spring steel nickel-plated battery holder
- CR2032 battery compartment type
- Fits 20mm coin cell lithium type battery (not included)

PART NO.	DESCRIPTION
2955-BATT-HDR	20mm coin cell battery holder

