

2955 Series Buttoned Keyfob Enclosure

Product overview

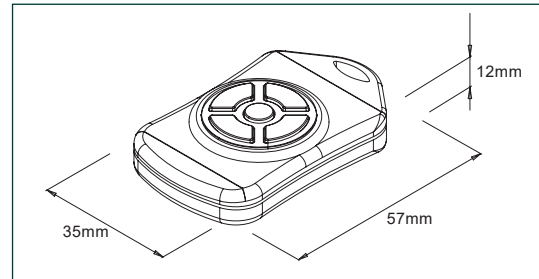
ABS keyfobs with round 1-to-5 rubber button layout.

- Moulded in ABS
- Snap-fit assembly of lid and base
- 1-to-5 rubber buttons with contact pads
- Enclosed battery compartment for coin cells
- Eyelet for keyring
- 2955-40R-* feature a clear silicone LED window



BLACK	DESCRIPTION
2955-20R-1	1 button
2955-20R-2	2 button
2955-20R-3	3 button
2955-20R-4	4 button
2955-20R-5	5 button

SPECIFICATION	
Materials	Base, lid and adapter ABS Push buttons silicone
Standard colours	Base, lid and adapter black similar to RAL 9004 Push buttons light grey similar to RAL 7037
Standard unit includes	Base and lid Push-button insert Button adapter

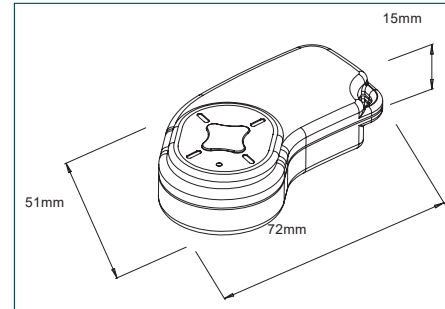


292
UNIVERSAL
PLASTIC
ENCLOSURES

317
HEAVY DUTY
AND ELECTRICAL
ENCLOSURES

341
DEVELOPMENT
BOARD
ENCLOSURES

369
VERSATILE IOT
AND SENSOR
ENCLOSURES



BLACK	DESCRIPTION
2955-40R-1	1 button
2955-40R-2	2 button
2955-40R-3	3 button
2955-40R-4	4 button
2955-40R-5	5 button

SPECIFICATION	
Materials	Base, lid and adapter ABS Push buttons silicone
Standard colours	Base, lid and adapter black similar to RAL 9004 Push buttons light grey similar to RAL 7037
Standard unit includes	Base and lid Push-button insert Button adapter

KEY FEATURES

Rubber button layout | Battery compartment | High impact ABS

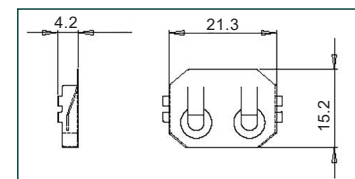
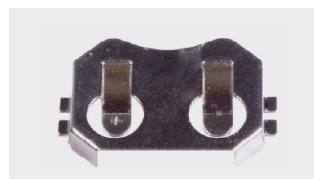


ACCESSORIES

2955 series battery holder

- Spring steel nickel-plated battery holder
- CR2032 battery compartment type
- Fits 20mm coin cell lithium type battery (not included)

PART NO.	DESCRIPTION
2955-BATT-HDR	20mm coin cell battery holder



PLASTIC ENCLOSURES

