



CAMDENBOSS

CONNECT. ENCLOSE. INNOVATE.





“This isn’t
business
as usual.”

01



**01 represents CamdenBoss’
new direction whilst building
on 50+ years of experience
and industry presence.**

We have blended a solid foundation of established product ranges with new product introductions; enabling us to move forward in a fast-paced manufacturing environment.

With a unique ability to connect and enclose, we offer e-mech component ranges that complement our innovative enclosure systems.

We continue to deliver high-quality products that have remained at the forefront of the market for years. We feel the recent acquisition of the i4innovation group, including one of industry’s leading enclosure design pioneers ‘Smartboxx’ adds “a new level of entrepreneurial dynamism”.

James Buckle

James Buckle
Owner, CamdenBoss Ltd





UK offices

CamdenBoss Ltd

60 James Carter Road
Mildenhall
Suffolk
IP28 7DE
Tel: +44 (0) 1 638 716101
sales@camdenboss.com
www.camdenboss.com

Smartboxx

4-8 Kelvin Place
Stephenson Way
Thetford, Norfolk
IP24 3RR
Tel: +44 (0) 1842 766557
sales@smartboxx.co.uk
www.smartboxx.co.uk

Asia office

Camden Electronics (Hong Kong) Ltd

Room 1301, 13/F, David House
8-20, Nanking Street
Kowloon
Hong Kong
Tel: +86 136 0257 5842
sales@camdenboss.com
www.camdenboss.com

Please contact our UK offices to check stock availability and delivery, for no-obligation quotes and technical support, or to arrange an area sales engineer to discuss your new or current product development.

Our offices are open:

Monday - Thursday 08.30-17.00 and Friday 08.30-16.00 GMT

All prices quoted exclude VAT and delivery charges

Please refer to our terms and conditions of sale at www.camdenboss.com

Follow us





Contents

iv Distribution

002 Connect

PCB terminal block selection chart	002
PCB terminal blocks	
Standard	008
Pluggables	057
Pluggable - screwless	075
Terminal strips	081
Wire to board connectors	095
Circular connectors	
Plugs	100
Sockets	118
IP68 connectors	151
Interface modules and relay bases	
Interface modules	158
Relay bases	172

176 Switch

Microswitches	178
Tactile switches	182
22mm control switches	186
Foot switches	191
Limit switches	193
Piezo switches and keypads	203

212 Protect

Fused terminal blocks	214
Fuseholders	217
Fuses	226

250 Light

266 Plastic enclosures

Handheld cases	268
Universal enclosures	292
Heavy duty and electrical enclosures	318
Desktop and instrument cases	342
Development board enclosures	348
Room sensor enclosures	367
Custom sized enclosures	370

250 Light

390 DIN Rail enclosures

406 Metal enclosures

423 IP rating table

424 19" cabinets and enclosures

434 Customisation

438 Smartboxx

Custom fabricated enclosures

444 Smartmould

Custom moulded enclosures

448 Index



Distribution

EUROPE

Austria

CISPER

See Netherlands

Belgium

BATENBURG MECHATRONICA

www.batenburg-mechatronica.be
sales-me@batenburgbelgie.be
+32 22 53 31 20

CISPER

See Netherlands

Bulgaria

FAMOUS CONNECTIONS

www.famousconnections.eu/en
office@famousconnections.eu
+359 2 439 0308

Czech Republic

SISC

www.sisc.cz
sisc@sisc.cz
+420 388 324 920

Germany

AXXATRONIC GMBH

www.axxatronic.de
camdenboss@axxatronic.de
+49 7033 466 610

DISTRELEC

www.distrelec.de
verkauf@distrelec.de
+49 421 365 4200

REICHELTELEKTRONIK

www.reichelt.com
info@reichelt.de
+49 442 295 5360

Israel

MOSTECH LTD

www.mostect.co.il
office@mostect.co.il
+97 237 311 111

Italy

ELETTROMECCANICA ECC

www.eccmec.it

info@eccmec.it
+39 02 48 44 181

Netherlands

BATENBURG MECHATRONICA

www.batenburg-mechatronica.nl
info.mechatronica@batenburg.nl
+31 10 292 87 87

CISPER

www.cisper.nl
info@cisper.nl
+31 365350070

MAAS CPS B.V.

www.maascps.com
sales@maascps.com
+31 (0) 299 391515

Poland

DACPOL

www.dacpol.com.pl
elektronika@dacpol.eu
+48 227035100

MICRODIS ELECTRONICS Sp. Z o.o

www.microdis.net
wroclaw@microdis.net
+48 71 3010400

Portugal

BELTRONICA

See Spain

Spain

BELTRONICA

www.beltronica.es
beltronica@beltronica.es
+34 91 6381331

TC COMPONENTES

www.tc-componentes.es
info@tc-componentes.es
+34 93 590 2830

Sweden

GYCOM

www.gycom.se
kundservice@gycom.se
+46 86 32 30 00

ORNATUS

www.ornatus.se
info@ornatus.se
+46 8 444 39 70

Switzerland

DISTRELEC

www.distrelec.com
info@distrelec.com
+41 449 449 911

United Kingdom

ANGLIA COMPONENTS

www.anglia.com
info@anglia.com
+44 (0) 1945 474747

AZCON CSL LTD

www.azcon.co.uk
sales@azcon.co.uk
+44 (0) 1206 214 750

CPC

www.cpc.co.uk
sales@cpc.co.uk
+44 (0) 344 788 0088

JPR

www.jprelec.co.uk
sales@jprelec.co.uk
+44 (0) 1582 470 000

FARNELL

uk.farnell.com
sales@farnell.co.uk
+44 (0) 8447 11 11 11

RAPID

www.rapidonline.com
sales@rapidonline.com
+44 (0) 1206 75 11 66

RS COMPONENTS

uk.rs-online.com
rsorders@rs-components.com
+44 (0) 8457 201 201

RUSSIA

Moscow

MFC FULCRUM

www.fulcrum.ru
mgn@fulcrum.ru
+7 495 956 3942

AFRICA

South Africa

VEPAC

www.vepac.co.za
sales@vepac.co.za
+27 11 454 8053

ASIA

China

CAMDEN ELECTRONICS (HONG KONG) LTD

See Hong Kong

VADAS INTERNATIONAL

www.vadas-ic.com
jeffrey@vadas-ic.com
+86 21 6031 7239

VITAL SYSTEM TECHNOLOGY

www.thevital.com
bhong@vitalsystem.com

Hong Kong

CAMDEN ELECTRONICS (HONG KONG) LTD

www.camdenboss.com
sales@camdenboss.com
+86 136 0257 5482

AUSTRALASIA

Australia

ARLIN COMPONENTS & HARDWARE

www.arlin.com.au
sales@arlin.com.au
+61 39465 0011

TYRAMAN COMPONENTS

+61 418611344
www.mpmcomp.com.au
phil@mpmcomp.com.au

X-ON ELECTRONIC SERVICES

www.x-on.com.au
sales@x-on.com.au
61-8-9358-9358

AMERICAS

United States of America

OKW INC

www.okwenclosures.com
sales@okwenclosures.com
+1 412 220 9244



Worldwide distribution

DISTRELEC GROUP www.distrelec.com

- | | | | | | |
|----------------|---------|---------------|-------------|-------------|--------------------|
| Austria | Estonia | Italy | Netherlands | San Marino | Vatican City State |
| Belgium | Finland | Latvia | Norway | Slovakia | |
| Czech Republic | Germany | Liechtenstein | Poland | Sweden | |
| Denmark | Hungary | Lithuania | Romania | Switzerland | |

FARNELL ELEMENT 14 www.farnell.com

- | | | | | | |
|----------------------|----------------|------------|-------------|---------------------|-------------|
| Albania | China | Hong Kong | Macedonia | Poland | Sweden |
| Algeria | Croatia | Hungary | Malaysia | Qatar | Switzerland |
| Argentina | Cyprus | Iceland | Malta | Republic of Ireland | Taiwan |
| Australia | Czech Republic | India | Mauritius | Romania | Thailand |
| Austria | Denmark | Israel | Mexico | Russia | Turkey |
| Bahrain | Egypt | Italy | Montenegro | Saudi Arabia | UAE |
| Belgium | Estonia | Jordan | Morocco | Serbia | UK |
| Bosnia & Herzegovina | Ethiopia | Kenya | Netherlands | Singapore | USA |
| Botswana | Finland | Kuwait | New Zealand | Slovakia | Zambia |
| Bulgaria | France | Latvia | Nigeria | Slovenia | Zimbabwe |
| Canada | Germany | Libya | Norway | South Africa | |
| Chile | Ghana | Lithuania | Oman | South Korea | |
| | Greece | Luxembourg | Peru | Spain | |

RS COMPONENTS www.rs-components.com

- | | | | | | |
|----------------|-------------------|--------------------|--------------------------|--------------|----------------------|
| Europe | Lithuania | Hong Kong | South America | Kenya | |
| Austria | Luxembourg | Japan | Argentina | Lesotho | |
| Azerbaijan | Netherlands | South Korea | Brazil | Liberia | |
| Belgium | Norway | Taiwan | Chile | Libya | Middle East |
| Bosnia | Malta | | Peru | Madagascar | Bahrain |
| Bulgaria | Montenegro | South Asia | | Malawi | Iraq |
| Channel Is | Poland | Brunei | Africa | Mauritius | Jordan |
| Croatia | Portugal | Cambodia | Algeria | Morocco | Kazakhstan |
| Cyprus | Romania | India | Angola | Mozambique | Kuwait |
| Czech Republic | Russia | Indonesia | Botswana | Namibia | Lebanon |
| Denmark | Serbia | Laos | Burundi | Nigeria | Oman |
| Estonia | Slovakia | Malaysia | Cameroon | Senegal | Qatar |
| Finland | Slovenia | Pakistan | Central African Republic | Seychelles | Saudi Arabia |
| France | Spain | Philippines | Democratic Republic of | Somalia | UAE |
| Germany | Sweden | Singapore | Congo | South Africa | |
| Greece | Switzerland | Thailand | Egypt | Swaziland | North America |
| Hungary | Turkey | Vietnam | Eritrea | Tanzania | Canada |
| Iceland | Ukraine | | Ethiopia | Tunisia | Mexico |
| Ireland | United Kingdom | Australasia | Ghana | Uganda | USA |
| Israel | | Australia | Ivory Coast | Zimbabwe | |
| Italy | North Asia | New Zealand | | | |
| Latvia | China | | | | |



002
PCB TERMINAL
BLOCKS

081
TERMINAL STRIPS

095
WIRE TO BOARD
CONNECTORS

100
CIRCULAR
CONNECTORS

151
IP68 CONNECTORS

158
INTERFACE
MODULES AND
RELAY BASES

Connect

PCB TERMINAL BLOCK SELECTION CHART	002
PCB TERMINAL BLOCKS	
STANDARD	008
PLUGGABLES	057
PLUGGABLE - SCREWLESS	075
TERMINAL STRIPS	081
WIRE TO BOARD CONNECTORS	095
CIRCULAR CONNECTORS	
PLUGS	100
SOCKETS	118
IP68 CONNECTORS	151
INTERFACE MODULES AND RELAY BASES	
INTERFACE MODULES	158
RELAY BASES	172

002
PCB TERMINAL
BLOCKS

081
TERMINAL STRIPS

095
WIRE TO BOARD
CONNECTORS

100
CIRCULAR
CONNECTORS

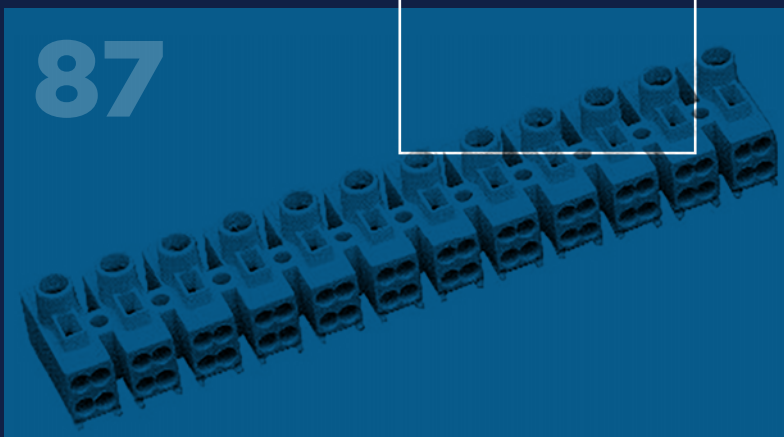
151
IP68 CONNECTORS

158
INTERFACE
MODULES AND
RELAY BASES

100



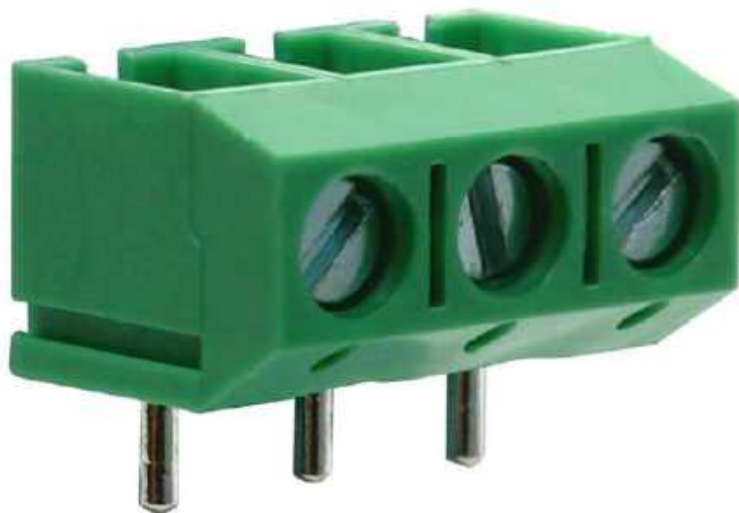
87



58



20



160



PCB terminal block selection chart

Our extensive selection of PCB terminal blocks are arranged within this catalogue via their pitch size, then by type and style:

Standard terminal blocks

2.5mm pitch to 10.16mm

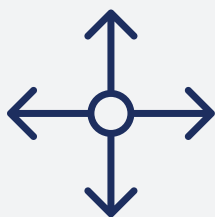
Pluggable terminal blocks

3.5mm pitch to 7.62mm

Screwless terminal blocks

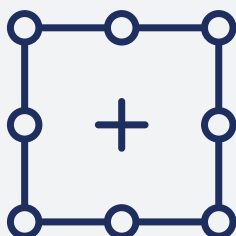
2.5mm pitch to 5.08mm

We offer three ways to help source your required terminal block:



1. BROWSE

Browse your catalogue using our detailed section contents page located at the front of the terminal block section



2. SELECT

Select our terminal block using the selection chart overleaf



3. PICK

Pick the known terminal block type number via our type number index



TERMINAL PITCH	2.5MM				3.5MM							3.81MM				5.0MM										
Part no.	CTBP2054	CSTBP92HC	CTBP93VC	CTBP93HC	CTBP3051	CTBP0305	CTBP0355	CTBP92HD	CTBP92VD/S	CTBP92VD/R	CTBP93HD	CTBP93VD	CSTBP92HD	CTBP0308	CTBP92HE	CTBP92VE/S	CTBP92VE/R	CTBP93HE	CTBP93VE	CSTBP92HE	CTBP5000	CTBP5050	CTBP0500	CTBP1000	CTBP1050	CTBP0100
Page no.	12	76	76	76	13	14	15	58	58	58	59	59	77	16	60	60	60	61	61	78	17	18	19	21	22	23
STYLE OF BLOCK	2.5MM				3.5MM							3.81MM				5.0MM										
Low profile	•				•	•	•														•	•	•			
Standard profile		•	•	•				•	•	•	•	•	•	•	•	•	•	•	•	•				•	•	•
High power																										
Pluggable female		•						•	•	•			•	•	•	•				•						
Pluggable male			•	•							•	•							•	•						
Pin header																										
Screwless pluggable		•											•								•					
Screw flanges																										
Inverted pluggable																										
Cut-to-size																										
Interlocking					•	•	•							•								•	•	•	•	•
Solid block	•	•	•					•	•	•	•	•	•	•	•	•	•	•	•	•	•	•	•	•	•	•
ORIENTATION	2.5MM				3.5MM							3.81MM				5.0MM										
Vertical - side entry	•				•	•			•	•				•	•	•					•	•	•		•	•
Vertical - top entry		•	•								•	•						•	•							
Horizontal (90°) - side entry				•			•				•						•									
Horizontal (90°) - top entry								•						•								•			•	
45° Angle																										
RATING (NOMINAL)	2.5MM				3.5MM							3.81MM				5.0MM										
4A		•	•																							
6A	•																									
8A								•	•	•	•	•	•	•	•	•	•	•	•	•					•	
10A					•		•																			
15A						•								•												
16A																						•	•	•	•	•
20A																										
22A																										
30A																										
52A																										
CABLE ACCEPTANCE	2.5MM				3.5MM							3.81MM				5.0MM										
30-12 AWG (0.2-2mm)																										
28-16 AWG (0.32-1.3mm)						•	•	•	•				•	•	•	•	•			•						
28-14 AWG (0.32-1.6mm)																										
26-20 AWG (0.4-0.8mm)		•																								
26-18 AWG (0.4-1mm)		•																								
26-16 AWG (0.4-1.3mm)																										
26-12 AWG (0.4-2mm)																										
26-10 AWG (0.4-2.6mm)																										
24-18 AWG (0.5-1mm)						•	•																			
24-12 AWG (0.5-2mm)																										
22-16 AWG (0.6-1.3mm)																									•	
22-14 AWG (0.6-1.6mm)																						•	•	•	•	
22-12 AWG (0.6-2mm)																										•
22-6 AWG (0.6-4.1mm)																										
TERMINAL TYPE	2.5MM				3.5MM							3.81MM				5.0MM										
Wire protector						•	•															•	•	•	•	
Rising clamp	•					•	•	•	•					•	•	•	•						•			•
Spring cage		•											•								•					

TERMINAL PITCH	5.0MM																		5.08MM																	
Part no.	CTBP0150	CTBP0550	CTBP0700	CTBP0750	CTB7000	CTBP3000	CTBP90HG	CTBP90VG	CTBP9200	CTBP92VG/S	CTBP92VGR	CTBP9300	CTBP9350	CTBP9300AO	CTBP9350AO	CTBP9200FL	CTBP9300FL	CTBP9350FL	CTBP1301	CTBP1301/PS	CTBP0108	CTBP0158	CTBP0508	CTBP0558	CTBP0708	CTBP0758	CTBP9208	CTBP3008	CTBP92VJ/S	CTBP92VJ/R						
Page no.	22	20	28	29	25	26	27	27	62	62	62	63	63	63	63	64	64	64	74	74	32	33	30	31	35	36	65	34	65	65						
STYLE OF BLOCK	5.0MM																		5.08MM																	
Low profile						•															•			•	•											
Standard profile	•				•		•	•	•	•	•	•	•	•	•	•	•	•	•	•	•	•						•	•	•	•					
High power				•	•																					•	•									
Pluggable female										•	•	•						•		•								•			•					
Pluggable male													•	•	•	•																				
Pin header																																				
Screwless pluggable																																				
Screw flanges																																				
Inverted pluggable																																				
Cut-to-size					•																															
Interlocking	•	•	•	•		•	•	•														•														
Solid block		•	•	•						•	•	•	•	•	•	•	•	•	•	•								•			•					
ORIENTATION	5.0MM																		5.08MM																	
Vertical - side entry			•		•						•	•										•		•		•					•					
Vertical - top entry							•					•		•				•				•														
Horizontal (90°) - side entry											•			•				•																		
Horizontal (90°) - top entry	•	•		•							•																	•			•					
45° Angle					•																										•					
RATING (NOMINAL)	5.0MM																		5.08MM																	
4A																																				
6A																																				
8A																																				
10A		•																			•	•														
15A						•				•	•	•	•	•	•	•	•	•	•	•								•	•	•	•					
16A	•																																			
20A			•	•			•	•																												
22A					•																															
30A																																				
52A																																				
CABLE ACCEPTANCE	5.0MM																		5.08MM																	
30-12 AWG (0.2-2mm)					•																															
28-16 AWG (0.32-1.3mm)																																				
28-14 AWG (0.32-1.6mm)												•	•	•				•										•			•					
26-20 AWG (0.4-0.8mm)																																				
26-18 AWG (0.4-1mm)																																				
26-16 AWG (0.4-1.3mm)		•																									•	•			•					
26-12 AWG (0.4-2mm)			•	•																																
26-10 AWG (0.4-2.6mm)																																				
24-18 AWG (0.5-1mm)																																				
24-12 AWG (0.5-2mm)								•	•																											
22-16 AWG (0.6-1.3mm)																																				
22-14 AWG (0.6-1.6mm)						•																														
22-12 AWG (0.6-2mm)	•																																			
22-6 AWG (0.6-4.1mm)																																				
TERMINAL TYPE	5.0MM																		5.08MM																	
Wire protector																																				
Rising clamp	•	•	•	•	•	•	•	•	•	•	•	•	•	•	•	•	•	•	•	•								•	•	•	•					
Spring cage																																				

081
TERMINAL STRIPS

095
WIRE TO BOARD
CONNECTORS

100
CIRCULAR
CONNECTORS

151
IP68 CONNECTORS

158
INTERFACE
MODULES AND
RELAY BASES

CONNECT

5



TERMINAL PITCH	5.08MM														6.35MM		7.5MM						
Part no.	CTBP9308	CTBP9308/FL	CTBP9358	CTBP9358/FL	CTBP9308 AO	CTBP9358 AO	CTBP96HJ	CTBP96HJ FL	CTBP9208 FL	CTBP97VJ	CTBP97VJ FL	CTBP97HJ	CTBP97HJ FL	CSTBP9208	CTBP04VY	CTBP55VK	CTBP07VK	CTBP010	CTBP015	CTBP9400	CTBP9500	CTBP9550	
Page no.	66	67	66	67	66	66	72	72	67	72	73	73	73	79	37	38	41	39	40	68	68	68	
STYLE OF BLOCK	5.08MM														6.35MM		7.5MM						
Low profile																	•						
Standard profile	•	•	•	•	•	•	•	•	•	•	•	•	•	•					•	•	•	•	•
High power															•		•						
Pluggable female									•	•	•	•	•	•							•		
Pluggable male	•	•	•	•	•	•	•	•														•	•
Pin header																							
Screwless pluggable														•									
Screw flanges		•		•		•	•		•		•		•										
Inverted pluggable					•		•	•		•	•	•	•										
Cut-to-size																							
Interlocking															•	•	•	•	•				
Solid block	•	•	•	•	•	•	•	•	•	•	•	•	•	•							•	•	•
ORIENTATION	5.08MM														6.35MM		7.5MM						
Vertical - side entry															•	•	•	•					
Vertical - top entry	•	•			•					•	•			•								•	
Horizontal (90°) - side entry			•	•		•						•	•										•
Horizontal (90°) - top entry							•	•	•										•	•			
45° Angle																							
RATING (NOMINAL)	5.08MM														6.35MM		7.5MM						
4A																							
6A																							
8A																							
10A														•									
15A	•	•	•	•	•	•	•	•	•	•	•	•	•	•							•	•	•
16A																•		•	•				
20A																	•						
22A																							
30A															•								
52A																							
CABLE ACCEPTANCE	5.08MM														6.35MM		7.5MM						
30-12 AWG (0.2-2mm)																							
28-16 AWG (0.32-1.3mm)																							
28-14 AWG (0.32-1.6mm)							•	•	•					•							•		
26-20 AWG (0.4-0.8mm)																							
26-18 AWG (0.4-1mm)																							
26-16 AWG (0.4-1.3mm)																							
26-12 AWG (0.4-2mm)																		•					
26-10 AWG (0.4-2.6mm)															•								
24-18 AWG (0.5-1mm)																							
24-12 AWG (0.5-2mm)																							
22-16 AWG (0.6-1.3mm)																							
22-14 AWG (0.6-1.6mm)																•							
22-12 AWG (0.6-2mm)																			•	•			
22-6 AWG (0.6-4.1mm)																							
TERMINAL TYPE	5.08MM														6.35MM		7.5MM						
Wire protector																	•						
Rising clamp					•	•	•								•		•	•	•	•			
Spring cage														•									



TERMINAL PITCH	7.5MM		7.62MM								9.5MM	10MM						10.16MM					
Part no.	CTBP9500/AO	CTBP9550/AO	CTBP9408	CTBP018	CTBP01HL	CTBP07VL	CTBP9508	CTBP9558	CTBP9508 AO	CTBP9558 AO	CTBP04VZ	CTB0602	CTBP2000	CTB0202	CTBP6550	CTBP2550	CTBP2050	CTBP6000	CTBP6050	CTBP4000	CTB0609	CTBP977VP	
Page no.	69	69	70	42	43	44	70	70	71	71	44	48	51	52	49	53	51	46	47	54	55	56	
STYLE OF BLOCK	7.5MM		7.62MM								9.5MM	10MM						10.16MM					
Low profile																							
Standard profile	•	•	•	•	•	•	•	•	•	•			•	•		•	•		•	•	•	•	
High power				•	•	•					•												•
Pluggable female			•																				
Pluggable male	•	•						•	•	•	•												
Pin header																							
Screwless pluggable																							
Screw flanges																							
Inverted pluggable																							
Cut-to-size																							
Interlocking				•	•	•					•	•	•	•	•	•	•	•	•	•	•	•	•
Solid block	•	•	•					•	•	•	•								•	•			
ORIENTATION	7.5MM		7.62MM								9.5MM	10MM						10.16MM					
Vertical - side entry				•		•					•	•	•					•			•	•	
Vertical - top entry	•							•		•													
Horizontal (90°) - side entry		•							•		•												
Horizontal (90°) - top entry			•		•									•	•	•		•					
45° Angle																					•		
RATING (NOMINAL)	7.5MM		7.62MM								9.5MM	10MM						10.16MM					
4A																							
6A																							
8A																							
10A												•		•									•
15A	•	•	•					•	•	•	•										•		
16A												•		•	•	•	•	•	•				
20A				•	•	•																	
22A																							
30A											•												
52A																							•
CABLE ACCEPTANCE	7.5MM		7.62MM								9.5MM	10MM						10.16MM					
30-12 AWG (0.2-2mm)				•																			
28-16 AWG (0.32-1.3mm)																							
28-14 AWG (0.32-1.6mm)				•																			•
26-20 AWG (0.4-0.8mm)																							
26-18 AWG (0.4-1mm)																							
26-16 AWG (0.4-1.3mm)												•	•										•
26-12 AWG (0.4-2mm)						•	•																
26-10 AWG (0.4-2.6mm)											•												
24-18 AWG (0.5-1mm)																							
24-12 AWG (0.5-2mm)																							
22-16 AWG (0.6-1.3mm)															•								
22-14 AWG (0.6-1.6mm)																	•	•	•				
22-12 AWG (0.6-2mm)														•		•							
22-6 AWG (0.6-4.1mm)																							•
TERMINAL TYPE	7.5MM		7.62MM								9.5MM	10MM						10.16MM					
Wire protector													•				•	•	•				
Rising clamp			•	•	•	•					•	•		•	•	•				•	•	•	
Spring cage																							





002

PCB TERMINAL BLOCKS

081

TERMINAL STRIPS

095

WIRE TO BOARD CONNECTORS

100

CIRCULAR CONNECTORS

151

IP68 CONNECTORS

158

INTERFACE MODULES AND RELAY BASES

PCB TERMINAL BLOCKS - STANDARD

Rising clamp PCB terminal blocks give excellent repeatable clamping performance. They can accept a wide range of wire sizes both solid and stranded and with or without ferrules. They have a much wider range of wire size acceptance than wire protector types.

Economical and versatile, wire protector PCB terminal blocks are ideal for many applications although not for repeated connections. They can accept a wide range of wire sizes both solid and stranded and with or without ferrules.



2.54mm pitch rising clamp terminal blocks **12**



3.5mm pitch low profile commercial screw terminal blocks **13**



3.5mm low profile vertical rising clamp terminal blocks **14**



3.5mm low profile 90° wire protector terminal blocks **15**



3.81mm low profile vertical rising clamp terminal blocks **16**



5mm pitch low profile screw terminal blocks **17**



5mm pitch low profile 90° screw terminal blocks **18**



5mm pitch low profile rising clamp terminal blocks **19**



5mm low profile 90° rising clamp terminal blocks **20**



5mm pitch standard profile screw terminal blocks **21**



5mm pitch standard profile 90° screw terminal blocks **22**



5mm pitch standard profile rising clamp terminal blocks **23**





002

PCB TERMINAL
BLOCKS

081

TERMINAL STRIPS

095

WIRE TO BOARD
CONNECTORS

100

CIRCULAR
CONNECTORS

151

IP68 CONNECTORS

158

INTERFACE
MODULES AND
RELAY BASES

5mm pitch
standard profile
90° rising clamp
terminal blocks **24**



5mm pitch 36
pole rising clamp
terminal blocks **25**



5mm pitch 45°
rising clamp
terminal blocks **26**



5mm pitch
inline screw PCB
terminal blocks **27**



5mm high power
vertical rising
clamp terminal
blocks **28**



5mm high power
90° rising clamp
terminal blocks **29**



5.08mm pitch
low profile rising
clamp terminal
blocks **30**



5.08mm low
profile 90° rising
clamp terminal
blocks **31**



5.08mm pitch
standard profile
rising clamp
terminal blocks **32**



5.08mm pitch
standard profile
90° rising clamp
terminal blocks **33**



5.08mm 45°
rising clamp
terminal blocks **34**



5.08mm pitch
high power rising
clamp terminal
blocks **35**



002

PCB TERMINAL
BLOCKS

081

TERMINAL STRIPS

095

WIRE TO BOARD
CONNECTORS

100

CIRCULAR
CONNECTORS

151

IP68 CONNECTORS


158

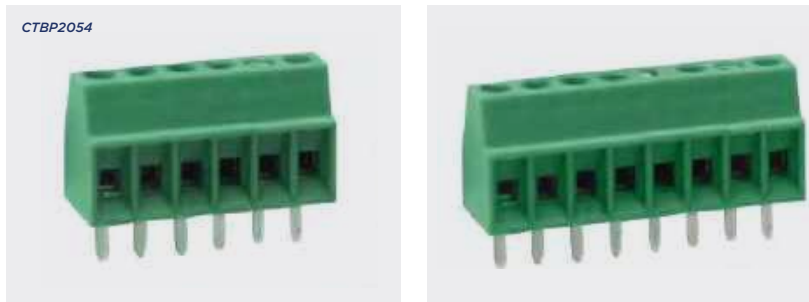
INTERFACE
MODULES AND
RELAY BASES5.08mm pitch
high power 90°
rising clamp
terminal blocks **36**6.35mm pitch
high power rising
clamp terminal
blocks **37**7.5mm pitch
commercial low
profile screw
terminal blocks **38**7.5mm pitch
standard profile
rising clamp
terminal blocks **39**7.5mm pitch
standard profile
90° rising clamp
terminal blocks **40**7.5mm high power
vertical rising
clamp terminal
blocks **41**7.62mm standard
profile vertical
rising clamp
terminal blocks **42**7.62mm standard
profile 90° rising
clamp terminal
blocks **43**7.62mm pitch
high power rising
clamp terminal
blocks **44**9.5mm pitch high
power rising
clamp terminal
blocks **45**10mm pitch
low profile
wire protector
terminal blocks **46**10mm pitch
low profile 90°
wire protector
terminal blocks **47**

		
10mm pitch low profile rising clamp terminal blocks 48	10mm low profile 90° rising clamp terminal blocks 49	10mm pitch standard profile terminal blocks 50
		
10mm low profile 90° rising clamp terminal blocks 51	10mm pitch standard profile rising clamp terminal blocks 52	10mm pitch standard profile 90° rising clamp terminal blocks 53
		
10mm pitch low profile 45° rising clamp terminal blocks 54	10.16mm pitch low profile rising clamp terminal blocks 55	10.16mm pitch very high power rising clamp terminal blocks 56

2.54mm pitch rising clamp terminal blocks

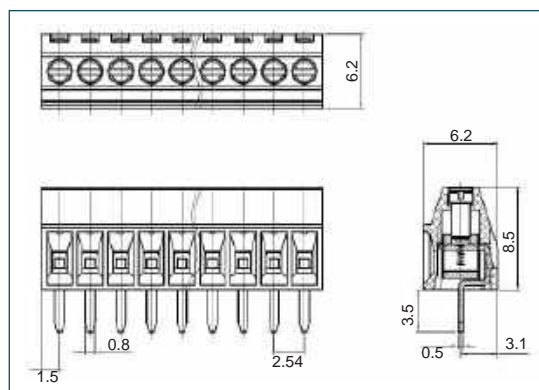
Product overview

- 2-12 pole solid block
- Professional rising clamp terminals
- Low profile
- Moulded in green UL94-V0 flame retardant PA66
- Cable acceptance - 0.4 to 1mm² (26-18AWG) solid and stranded cable
- Guided pin alignment
-  approved



SPECIFICATION	
Rating	UL=6A/150V, IEC=8A/130V
Insulation resistance	500MΩ/500V
Withstand voltage	AC 1300V/1min
Contact resistance	20mΩ (max)
Working temperature	-40°C to +105°C
Moulding	UL94-V0, flame retardant PA66
Pin/terminal	Brass, tin plated
Rising clamp	Brass, Ni plated
Screw	M1.6 steel, zinc plated/0.1Nm
Recommended PCB hole size	1.0mm

PART NO.	POLES	LENGTH
CTBP2054/2	2	5.54mm
CTBP2054/3	3	8.08mm
CTBP2054/4	4	10.62mm
CTBP2054/5	5	13.16mm
CTBP2054/6	6	15.70mm
CTBP2054/7	7	18.24mm
CTBP2054/8	8	20.78mm
CTBP2054/9	9	23.32mm
CTBP2054/10	10	25.86mm
CTBP2054/11	11	28.40mm
CTBP2054/12	12	30.94mm




KEY FEATURES

Professional rising clamp | Space saving profile | Flame retardant PA66



3.5mm pitch low profile commercial screw terminal blocks

Product overview

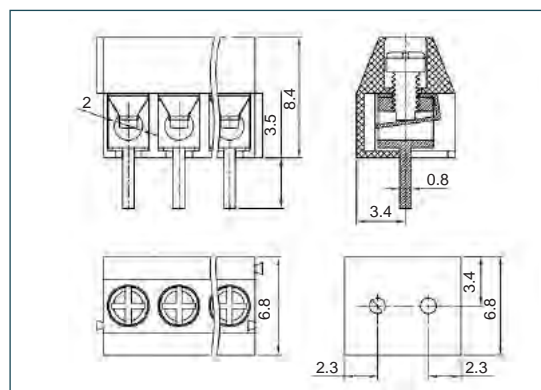
- 2-12 pole double interlock mechanism for increased strength
- Wire protector terminals
- Ultra low profile
- UL94-V0 flame retardant PA66
- Cable acceptance - 0.5-1.0mm² (24-18AWG)
-  approved

CTBP3051



SPECIFICATION	
Rating	UL= 10A/300V, VDE =10A/250V
Insulation resistance	500M Ω /500V
Withstand voltage	AC2000V/1min
Contact resistance	20m Ω (max)
Working temperature	-40°C to +105°C
Moulding	UL94-V0 flame retardant PA66
Pin/terminal	Tin plated brass
Wire protector	Phosphor bronze, nickel plated
Screw/torque	M2 steel, zinc plated 0.2Nm
Recommended PCB hole size	ϕ 1.1mm

PART NO.	POLES	LENGTH
CTBP3051/2	2	7mm
CTBP3051/3	3	10.5mm
CTBP3051/4	4	14mm
CTBP3051/5	5	17.5mm
CTBP3051/6	6	21mm
CTBP3051/7	7	24.5mm
CTBP3051/8	8	28mm
CTBP3051/9	9	31.5mm
CTBP3051/10	10	35mm
CTBP3051/11	11	38.5mm
CTBP3051/12	12	42mm



KEY FEATURES

Wire protector terminals | Double interlock mechanism | Flame retardant PA66



081

TERMINAL STRIPS

095

WIRE TO BOARD
CONNECTORS

100

CIRCULAR
CONNECTORS

151



IP68 CONNECTORS

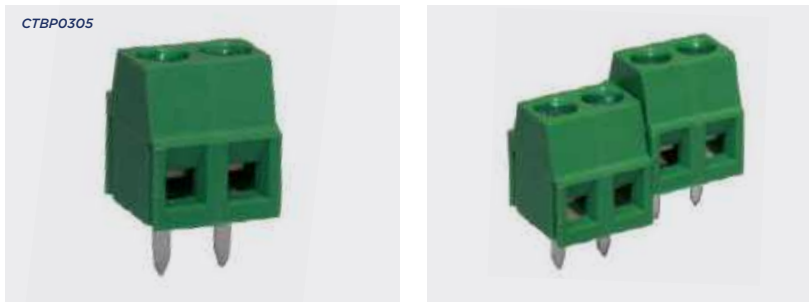
158

INTERFACE
MODULES AND
RELAY BASES

3.5mm low profile vertical rising clamp terminal blocks

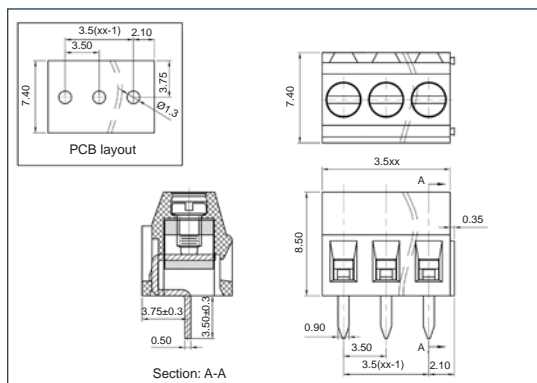
Product overview

- 2-12 pole interlocking
- 4-12 pole pre-assembled
- Ultra low profile
- Moulded in green UL94-V0 flame retardant PA
- Professional rising clamp terminals
- 0.32-1.3mm² (28-16AWG) cable
- Captive screws
- Guided pin alignment
- Double interlock mechanism for increased strength
-   approved



SPECIFICATION	
Rating	UL=15A/300V, VDE=15A/250V
Dielectric strength	≥1.25kV
Impulse withstand voltage	2.0kV
Working temperature	-40°C to +105°C
Moulding	UL94-V0 flame retardant PA66
Pin/terminal	Tinned, nickel plated brass
Rising clamp	Tinned, nickel plated brass
Screw/torque	M2 steel zinc plated, 0.2Nm
Recommended PCB hole size	ø1.3mm

PART NO.	POLES	LENGTH
CTBP0305/2	2	7mm
CTBP0305/3	3	10.5mm
CTBP0305/4	4	14mm
CTBP0305/5	5	17.5mm
CTBP0305/6	6	21mm
CTBP0305/7	7	24.5mm
CTBP0305/8	8	28mm
CTBP0305/9	9	31.5mm
CTBP0305/10	10	35mm
CTBP0305/11	11	38.5mm
CTBP0305/12	12	42mm





KEY FEATURES

Ultra low profile | Double interlock mechanism | Professional rising clamp

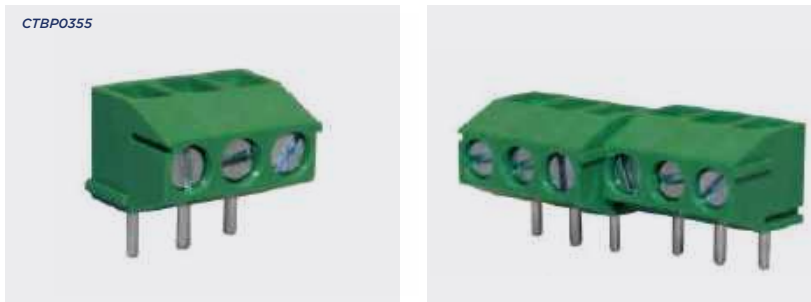


3.5mm low profile 90° wire protector terminal blocks

Product overview

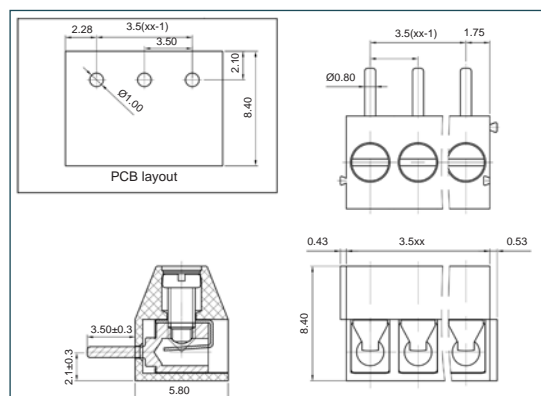
- 2-12 pole interlocking
- 4-12 pole pre-assembled
- Ultra low profile
- Moulded in green UL94-V0 flame retardant PA
- Wire protector terminals
- 0.5-1.0mm² (24-18AWG) cable
- Captive screws
- Guided pin alignment
- Double interlock mechanism for increased strength
-   approved

CTBP0355



SPECIFICATION	
Rating	UL=10A/300V, VDE=10A/250V
Dielectric strength	≥1.25kV
Impulse withstand voltage	2.0kV
Working temperature	-40°C to +105°C
Moulding	UL94-V0 flame retardant PA66
Pin/terminal	Tinned, nickel plated brass
Rising clamp	Tinned, nickel plated brass
Screw/torque	M2 steel zinc plated, 0.2Nm
Recommended PCB hole size	ø1.3mm

PART NO.	POLES	LENGTH
CTBP0355/2	2	7mm
CTBP0355/3	3	10.5mm
CTBP0355/4	4	14mm
CTBP0355/5	5	17.5mm
CTBP0355/6	6	21mm
CTBP0355/7	7	24.5mm
CTBP0355/8	8	28mm
CTBP0355/9	9	31.5mm
CTBP0355/10	10	35mm
CTBP0355/11	11	38.5mm
CTBP0355/12	12	42mm



KEY FEATURES

Ultra low profile | Double interlock mechanism | Wire protector terminals



081

TERMINAL STRIPS

095

WIRE TO BOARD
CONNECTORS

100

CIRCULAR
CONNECTORS

151

IP68 CONNECTORS

158

INTERFACE
MODULES AND
RELAY BASES



002

PCB TERMINAL
BLOCKS

081

TERMINAL STRIPS

095

WIRE TO BOARD
CONNECTORS

100

CIRCULAR
CONNECTORS

151

IP68 CONNECTORS

158

INTERFACE
MODULES AND
RELAY BASES

3.81mm low profile vertical rising clamp terminal blocks

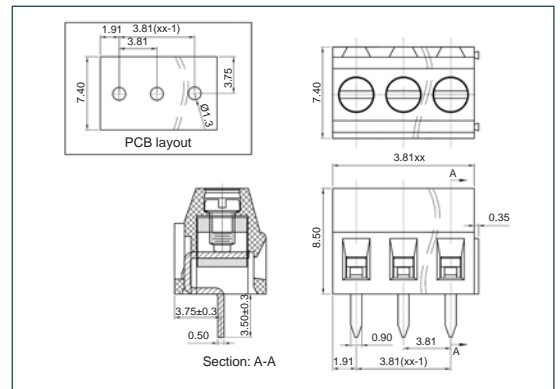
Product overview

- 2 and 3 pole Interlocking
- 4-12 pole solid block
- Ultra low profile
- Moulded in green UL94-V0 flame retardant PA
- Professional rising clamp terminals
- 0.32-1.6mm² (28-16AWG) cable
- Captive screws
- Guided pin alignment
- Double interlock mechanism for increased strength
- approved

CTBP0308



SPECIFICATION		PART NO.	POLES	LENGTH
Rating	UL=15A/300V, VDE=15A/250V	CTBP0308/2	2	7.62mm
Impulse withstand voltage	2.0kV/1min	CTBP0308/3	3	11.4mm
Working temperature	-40°C + 105°C	CTBP0308/4	4	15.2mm
Moulding	UL94-V0 flame retardant PA66	CTBP0308/5	5	19.1mm
Pin/terminal	Tinned, nickel plated brass	CTBP0308/6	6	22.9mm
Rising clamp	Tinned, nickel plated brass	CTBP0308/7	7	26.7mm
Screw/torque	M2 steel zinc plated, 0.2Nm	CTBP0308/8	8	30.5mm
Recommended PCB hole size	ø1.3mm	CTBP0308/9	9	34.3mm
		CTBP0308/10	10	38.1mm
		CTBP0308/11	11	41.9mm
		CTBP0308/12	12	45.7mm





KEY FEATURES

Ultra low profile | Double interlock mechanism | Professional rising clamp

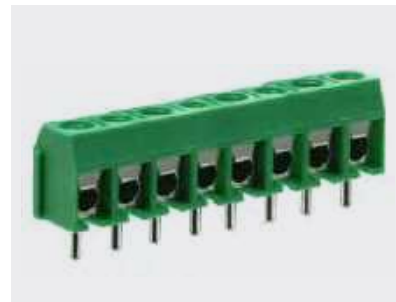


5mm pitch low profile screw terminal blocks

Product overview

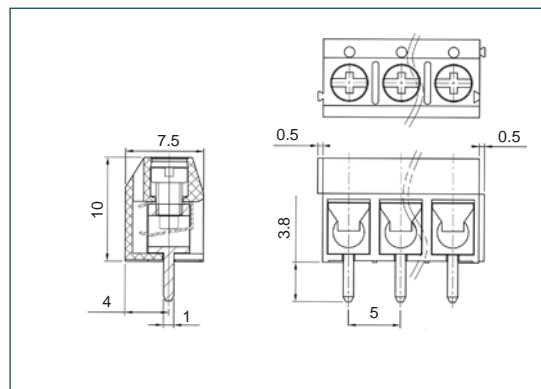
- 2 and 3 pole interlocking
- Wire protector terminals
- Low profile
- Moulded in green UL94-V0 flame retardant PA66
- Cable acceptance - 0.6-1.6mm² (22-14AWG)
- Guided pin alignment
- Test probe facility
- Anti solder wicking terminal
-   approved

CTBP5000



SPECIFICATION	
Rating	UL=16A/250V, VDE=24A/250V
Insulation resistance	500M Ω /500V
Withstand voltage	AC2000V/1min
Contact resistance	20m Ω (max)
Working temperature	-40°C to +105°C
Moulding	UL94-V0 flame retardant PA66
Pin/terminal	Tin plated brass
Wire protector	Phosphor bronze, nickel plated
Screw/torque	M2.5 steel, zinc plated 0.4Nm
Recommended PCB hole size	\varnothing 1.2mm

PART NO.	POLES	LENGTH
CTBP5000/2	2	10mm
CTBP5000/3	3	15mm
CTBP5000/4	4	20mm
CTBP5000/5	5	25mm
CTBP5000/6	6	30mm
CTBP5000/7	7	35mm
CTBP5000/8	8	40mm
CTBP5000/9	9	45mm
CTBP5000/10	10	50mm
CTBP5000/11	11	55mm
CTBP5000/12	12	60mm



KEY FEATURES

Wire protector terminals | Interlock mechanism | Flame retardant PA66



081

TERMINAL STRIPS

095

WIRE TO BOARD
CONNECTORS

100

CIRCULAR
CONNECTORS

151



IP68 CONNECTORS

158

INTERFACE
MODULES AND
RELAY BASES

5mm pitch low profile 90° screw terminal blocks

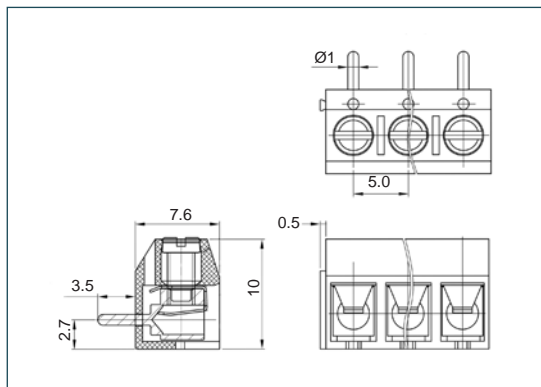
Product overview

- 2 and 3 pole interlocking
- Wire protector terminals
- Low profile 90° mounting
- Moulded in UL94-V0 flame retardant PA66
- Cable acceptance - 0.6-1.6mm² (22-14AWG)
- Guided pin alignment
- Test probe facility
- Anti solder wicking terminal
-   approved



SPECIFICATION	
Rating	UL=16A/250V, VDE=24A/250V
Insulation resistance	500M Ω/500V
Withstand voltage	AC2000V/1min
Contact resistance	20mΩ (max)
Working temperature	-40°C to +105°C
Moulding	UL94-V0 flame retardant PA66
Pin/terminal	Tin plated brass
Wire protector	Phosphor bronze, nickel plated
Screw/torque	M2.5 steel, zinc plated 0.4Nm
Recommended PCB hole size	ø1.2mm

PART NO.	POLES	LENGTH
CTBP5050/2	2	10mm
CTBP5050/3	3	15mm
CTBP5050/4	4	20mm
CTBP5050/5	5	25mm
CTBP5050/6	6	30mm
CTBP5050/7	7	35mm
CTBP5050/8	8	40mm
CTBP5050/9	9	45mm
CTBP5050/10	10	50mm
CTBP5050/11	11	55mm
CTBP5050/12	12	60mm





KEY FEATURES

Wire protector terminals | Interlock mechanism | 90 Degree orientation



5mm pitch low profile rising clamp terminal blocks

Product overview

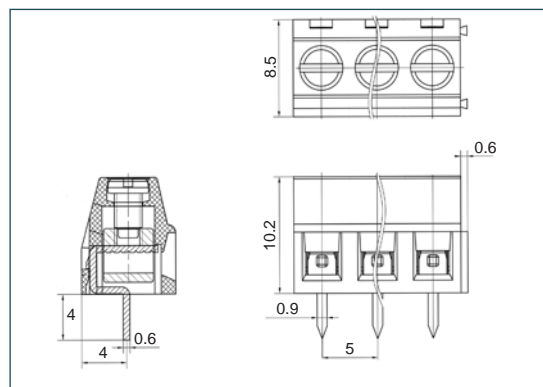
- 2 and 3 pole double interlocking mechanism for increased strength
- Professional rising clamp terminals
- Low profile
- Moulded in green UL94-V0 flame retardant PA66
- Cable acceptance - 0.6-1.3mm² (22-16AWG)
- Guided pin alignment
-   approved

CTBP0500



SPECIFICATION	
Rating	UL=8A/300V, VDE=15A/250V
Insulation resistance	500M Ω /500V
Withstand voltage	AC2000V/1min
Contact resistance	20m Ω (max)
Working temperature	-40°C to +105°C
Moulding	UL94-V0 flame retardant PA66
Pin/terminal	Tin plated brass
Rising clamp	Brass, nickel plated
Screw/torque	M2.5 steel, zinc plated 0.4Nm
Recommended PCB hole size	ϕ 1.3mm

PART NO.	POLES	LENGTH
CTBP0500/2	2	10mm
CTBP0500/3	3	15mm
CTBP0500/4	4	20mm
CTBP0500/5	5	25mm
CTBP0500/6	6	30mm
CTBP0500/7	7	35mm
CTBP0500/8	8	40mm
CTBP0500/9	9	45mm
CTBP0500/10	10	50mm
CTBP0500/11	11	55mm
CTBP0500/12	12	60mm



KEY FEATURES

Professional rising clamp | Double interlock mechanism | Low profile



081

TERMINAL STRIPS

095

WIRE TO BOARD
CONNECTORS

100

CIRCULAR
CONNECTORS

151

IP68 CONNECTORS

158

INTERFACE
MODULES AND
RELAY BASES

002
PCB TERMINAL
BLOCKS081
TERMINAL STRIPS095
WIRE TO BOARD
CONNECTORS100
CIRCULAR
CONNECTORS151
IP68 CONNECTORS158
INTERFACE
MODULES AND
RELAY BASES

5mm low profile 90° rising clamp terminal blocks

Product overview

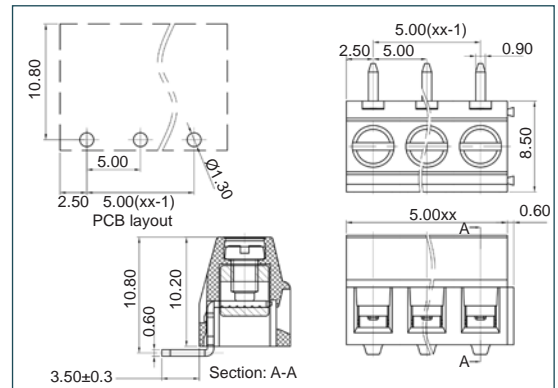
- 2 and 3 pole double interlocking mechanism for increased strength
- 4-12 pole solid block and end stackable
- Moulded in green UL94-V0 flame retardant PA
- Professional rising clamp terminals
- 0.32-1.6mm² (26-14AWG) cable
- Guided pin alignment
- Captive screw
- approved

CTBP0550



SPECIFICATION	
Rating	UL=12A/300V
Impulse withstand voltage	1.6kV/1min
Working temperature	-40 to +105°C
Moulding	UL94-V0 flame retardant PA66
Pin/terminal	Tinned, nickel plated brass
Rising clamp	Tinned, nickel plated brass
Screw/torque	M2.5 steel zinc plated, 0.4Nm
Recommended PCB hole size	ø1.3mm

PART NO.	POLES	LENGTH
CTBP0550/2	2	10mm
CTBP0550/3	3	15mm
CTBP0550/4	4	20mm
CTBP0550/5	5	25mm
CTBP0550/6	6	30mm
CTBP0550/7	7	35mm
CTBP0550/8	8	40mm
CTBP0550/9	9	45mm
CTBP0550/10	10	50mm
CTBP0550/11	11	55mm
CTBP0550/12	12	60mm



KEY FEATURES



Low profile | Double interlock mechanism | Professional rising clamp





5mm pitch standard profile screw terminal blocks

Product overview

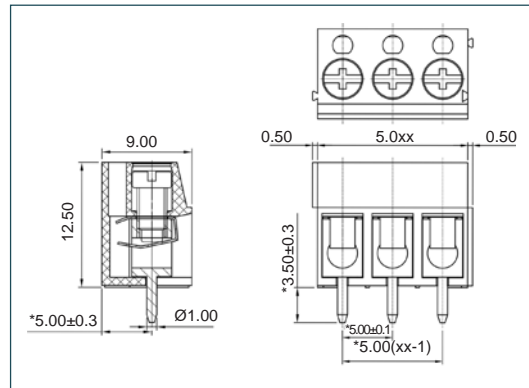
- 2 and 3 pole interlocking
- Wire protector terminals
- Standard profile
- Moulded in UL94-V0 flame retardant PA66
- Cable acceptance - 0.6-1.6mm² (22-14AWG)
- Guided pin alignment
- Anti solder wicking terminals
-   approved

CTBP1000



SPECIFICATION	
Rating	UL=16A/300V, VDE=24A/250V
Insulation resistance	500M Ω /500V
Withstand voltage	AC2000V/1min
Contact resistance	20m Ω (max)
Working temperature	-40°C to +105°C
Moulding	UL94-V0 flame retardant PA66
Pin/terminal	Tin plated brass
Wire protector	Phosphor bronze, nickel plated
Screw/torque	M2.5 steel, zinc plated 0.4Nm
Recommended PCB hole size	ϕ 1.5mm

PART NO.	POLES	LENGTH
CTBP1000/2	2	10mm
CTBP1000/3	3	15mm
CTBP1000/4	4	20mm
CTBP1000/5	5	25mm
CTBP1000/6	6	30mm
CTBP1000/7	7	35mm
CTBP1000/8	8	40mm
CTBP1000/9	9	45mm
CTBP1000/10	10	50mm
CTBP1000/11	11	55mm
CTBP1000/12	12	60mm



KEY FEATURES

Wire protector terminals | Interlock mechanism | Standard profile



002
PCB TERMINAL
BLOCKS081
TERMINAL STRIPS095
WIRE TO BOARD
CONNECTORS100
CIRCULAR
CONNECTORS151
IP68 CONNECTORS158
INTERFACE
MODULES AND
RELAY BASES

5mm pitch standard profile 90° screw terminal blocks

Product overview

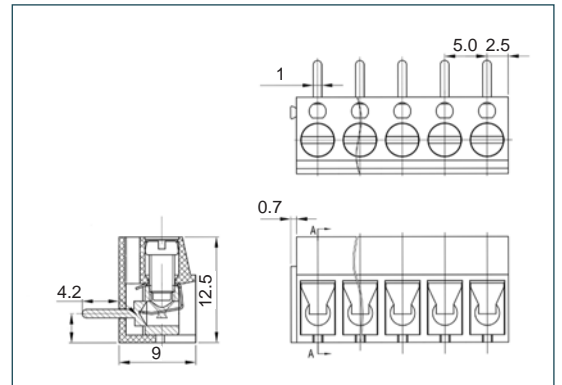
- 2 and 3 pole interlocking
- Wire protector terminals
- Standard profile 90° mounting
- Moulded in UL94-V0 flame retardant PA66
- Cable acceptance - 0.6-1.6mm² (22-14AWG)
- Guided pin alignment
- Anti solder wicking terminals
- approved

CTBP1050



SPECIFICATION	
Rating	UL=16A/300V, VDE=24A/250V
Insulation resistance	500M Ω/500V
Withstand voltage	AC2000V/1min
Contact resistance	20mΩ (max)
Working temperature	-40°C to +105°C
Moulding	UL94-V0 flame retardant PA66
Pin/terminal	Tin plated brass
Wire protector	Phosphor bronze, nickel plated
Screw/torque	M2.5 steel, zinc plated 0.4Nm
Recommended PCB hole size	ø1.5mm

PART NO.	POLES	LENGTH
CTBP1050/2	2	10mm
CTBP1050/3	3	15mm
CTBP1050/4	4	20mm
CTBP1050/5	5	25mm
CTBP1050/6	6	30mm
CTBP1050/7	7	35mm
CTBP1050/8	8	40mm
CTBP1050/9	9	45mm
CTBP1050/10	10	50mm
CTBP1050/11	11	55mm
CTBP1050/12	12	60mm



KEY FEATURES



Wire protector terminals | Interlock mechanism | Standard profile





5mm pitch standard profile rising clamp terminal blocks

Product overview

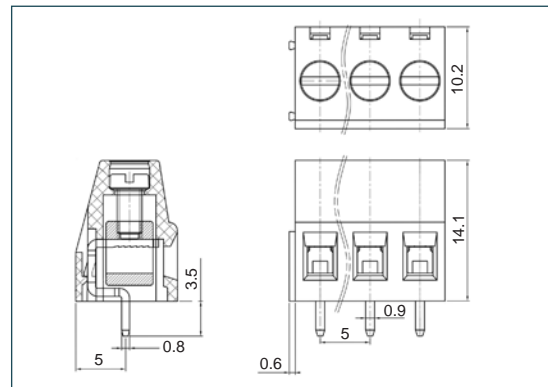
- 2 and 3 pole double Interlocking mechanism for increased strength
- Professional rising clamp terminals
- Standard profile
- Moulded in green UL94-V0 flame retardant PA66
- Cable acceptance - 0.6-2mm² (22-12AWG)
- Guided pin alignment
-   approved

CTBP0100



SPECIFICATION	
Rating	UL=16A/300V, VDE=20A/250V
Insulation resistance	500M Ω /500V
Withstand voltage	AC2000V/1min
Contact resistance	20m Ω (max)
Working temperature	-40°C to +105°C
Moulding	UL94-V0 flame retardant PA66
Pin/terminal	Tin plated brass
Rising clamp	Brass, nickel plated
Screw/torque	M2.5 steel, zinc plated 0.4Nm
Recommended PCB hole size	ϕ 1.5mm

PART NO.	POLES	LENGTH
CTBP0100/2	2	10mm
CTBP0100/3	3	15mm
CTBP0100/4	4	20mm
CTBP0100/5	5	25mm
CTBP0100/6	6	30mm
CTBP0100/7	7	35mm
CTBP0100/8	8	40mm
CTBP0100/9	9	45mm
CTBP0100/10	10	50mm
CTBP0100/11	11	55mm
CTBP0100/12	12	60mm



KEY FEATURES

Professional rising clamp | Double interlock mechanism | Standard profile



002
PCB TERMINAL
BLOCKS081
TERMINAL STRIPS095
WIRE TO BOARD
CONNECTORS100
CIRCULAR
CONNECTORS151
IP68 CONNECTORS158
INTERFACE
MODULES AND
RELAY BASES

5mm pitch standard profile 90° rising clamp terminal blocks

Product overview

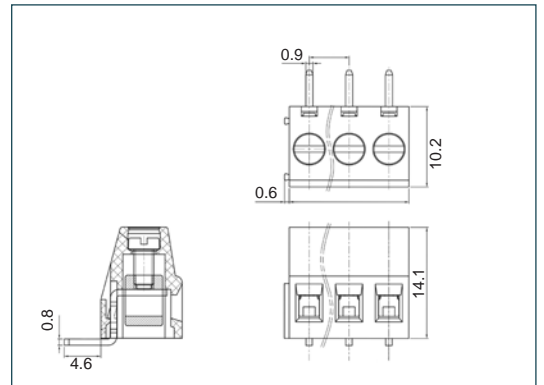
- 2 and 3 pole double interlocking mechanism for increased strength
- Professional rising clamp terminals
- Standard profile 90° mounting
- Moulded in green UL94-V0 flame retardant PA66
- Cable acceptance - 0.6-2mm² (22-12AWG)
- Guided pin alignment
- approved

CTBP0150



SPECIFICATION		PART NO.	POLES	LENGTH
Rating	UL=16A/300V, VDE=20A/250V	CTBP0150/2	2	10mm
Insulation resistance	500M Ω/500V	CTBP0150/3	3	15mm
Withstand voltage	AC2000V/1min	CTBP0150/4	4	20mm
Contact resistance	20mΩ (max)	CTBP0150/5	5	25mm
Working temperature	-40°C to +105°C	CTBP0150/6	6	30mm
Moulding	UL94-V0 flame retardant PA66	CTBP0150/7	7	35mm
Pin/terminal	Tin plated brass	CTBP0150/8	8	40mm
Rising clamp	Brass, nickel plated	CTBP0150/9	9	45mm
Screw/torque	M2.5 steel, zinc plated 0.4Nm	CTBP0150/10	10	50mm
Recommended PCB hole size	ø1.5mm	CTBP0150/11	11	55mm
		CTBP0150/12	12	60mm

PART NO.	POLES	LENGTH
CTBP0150/2	2	10mm
CTBP0150/3	3	15mm
CTBP0150/4	4	20mm
CTBP0150/5	5	25mm
CTBP0150/6	6	30mm
CTBP0150/7	7	35mm
CTBP0150/8	8	40mm
CTBP0150/9	9	45mm
CTBP0150/10	10	50mm
CTBP0150/11	11	55mm
CTBP0150/12	12	60mm



KEY FEATURES

Professional rising clamp | Double interlock mechanism | Standard profile





5mm pitch 36 pole rising clamp terminal blocks

Product overview

- Unique 36 pole strips
- Professional rising clamp terminals
- Standard profile
- Moulded in grey UL94-V0 flame retardant PC
- Cable acceptance - 0.2-2mm² (30-12AWG) solid cable
- Cable acceptance - 0.2-2mm² (30-12AWG) stranded cable
- Easily cut to required number of poles or can be supplied pre-cut
- Guided pin alignment
- Anti solder wicking

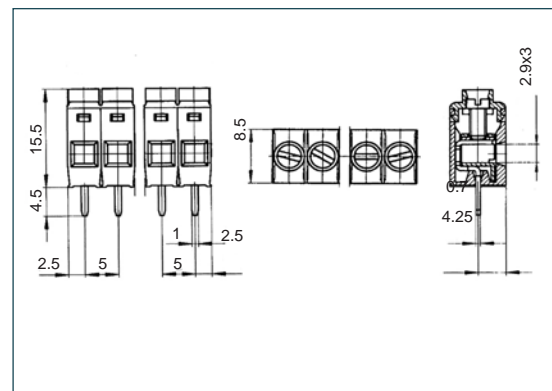
•    approved

CTB7000



SPECIFICATION	
Rating	22A/250V UL=16A/300V, VDE and IMQ=22A/450V
Dielectric strength	≥2.5kV
Impulse withstand voltage	4kV
Working temperature	85°C
Moulding	UL94-V0 flame retardant PC
Pin/terminal	Tinned, nickel plated brass
Rising clamp	Nickel plated brass
Screw/torque	M2.5 steel zinc plated, 0.5Nm
Recommended PCB hole size	ø1.3mm

PART NO.	POLES	LENGTH
CTB7000/1	1	5mm
CTB7000/2	2	10mm
CTB7000/3	3	15mm
CTB7000/4	4	20mm
CTB7000/5	5	25mm
CTB7000/6	6	30mm
CTB7000/7	7	35mm
CTB7000/8	8	40mm
CTB7000/9	9	45mm
CTB7000/10	10	50mm
CTB7000/11	11	55mm
CTB7000/12	12	60mm
CTB7000/18	18	90mm
CTB7000/36	36	180mm



KEY FEATURES

Professional rising clamp | Easily cut to required size | Unique 36 pole design





002

PCB TERMINAL
BLOCKS

081

TERMINAL STRIPS

095

WIRE TO BOARD
CONNECTORS

100

CIRCULAR
CONNECTORS

151

IP68 CONNECTORS

158

INTERFACE
MODULES AND
RELAY BASES

5mm pitch 45° rising clamp terminal blocks

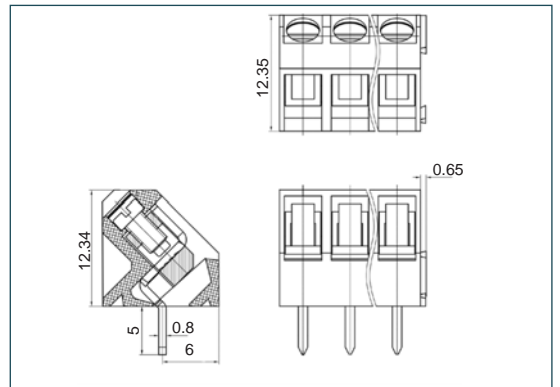
Product overview

- 2 and 3 pole interlocking
- Professional rising clamp terminals
- Low profile 45° mounting
- Moulded in green UL94-V0 flame retardant PA66
- Cable acceptance VDE - 0.6-2.5mm² (22-10AWG)
- Cable acceptance UL - 0.6-1.6mm² (22-14AWG)
- Guided pin alignment
- approved

CTBP3000



SPECIFICATION		PART NO.	POLES	LENGTH
Rating	UL=15A/300V, VDE=24A/300V	CTBP3000/2	2	10mm
Insulation resistance	500M Ω/500V	CTBP3000/3	3	15mm
Withstand voltage	AC2000V/1min	CTBP3000/4	4	20mm
Contact resistance	20mΩ (max)	CTBP3000/5	5	25mm
Working temperature	-40°C to +105°C	CTBP3000/6	6	30mm
Moulding	UL94-V0 flame retardant PA66	CTBP3000/7	7	35mm
Pin/terminal	Tin plated brass	CTBP3000/8	8	40mm
Rising clamp	Brass, nickel plated	CTBP3000/9	9	45mm
Screw/torque	M2.5 steel, zinc plated 0.4Nm	CTBP3000/10	10	50mm
Recommended PCB hole size	ø1.5mm	CTBP3000/11	11	55mm
		CTBP3000/12	12	60mm



KEY FEATURES



45 Degree cable entry | Interlock mechanism | Professional rising clamp



5mm pitch inline screw PCB terminal blocks

Product overview

System provides same-side access as wire entry

- 1 to 12 pole interlocking
- Professional rising clamp terminals
- Standard profile
- Moulded in green UL94-V0 flame retardant PA66
- Cable acceptance - 0.5-2mm² (24-12AWG)
- Available in horizontal or vertical orientations
- Double row pins for enhanced board stability
- Useful in applications with restricted vertical access, e.g. covered enclosures
-   approved

SPECIFICATION	
Rating	UL=20A/300V, VDE=24A/450V
Insulation resistance	500M Ω/500V
Withstand voltage	AC2000V/1min
Contact resistance	20mΩ (max)
Working temperature	-40°C to +105°C
Moulding	UL94-V0 flame retardant PA66
Pin/terminal	Brass, tin plated
Cage clamp	Steel, zinc plated
Screw/torque	M2.5 steel, zinc plated 0.4Nm
Recommended PCB hole size	ø1.4mm



081

TERMINAL STRIPS

095

WIRE TO BOARD CONNECTORS

100

CIRCULAR CONNECTORS

151

IP68 CONNECTORS

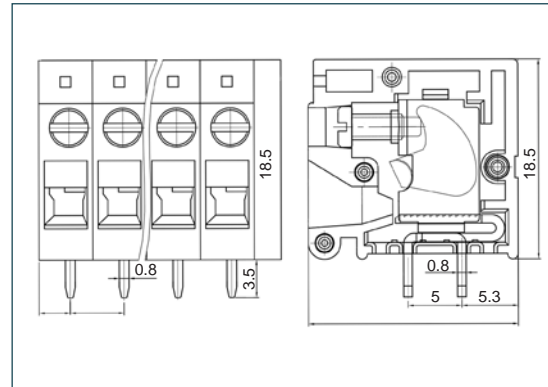
158

INTERFACE MODULES AND RELAY BASES

Horizontal

PART NO.	POLES	LENGTH
CTBP90HG/2	2	12.5mm
CTBP90HG/3	3	17.5mm
CTBP90HG/4	4	22.5mm
CTBP90HG/5	5	27.5mm
CTBP90HG/6	6	32.5mm
CTBP90HG/7	7	37.5mm
CTBP90HG/8	8	42.5mm
CTBP90HG/9	9	47.5mm
CTBP90HG/10	10	52.5mm
CTBP90HG/11	11	57.5mm
CTBP90HG/12	12	62.5mm

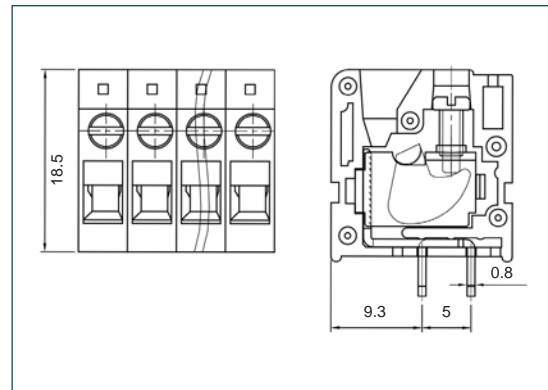
CTBP90HG



Vertical

PART NO.	POLES	LENGTH
CTBP90VG/2	2	12.5mm
CTBP90VG/3	3	17.5mm
CTBP90VG/4	4	22.5mm
CTBP90VG/5	5	27.5mm
CTBP90VG/6	6	32.5mm
CTBP90VG/7	7	37.5mm
CTBP90VG/8	8	42.5mm
CTBP90VG/9	9	47.5mm
CTBP90VG/10	10	52.5mm
CTBP90VG/11	11	57.5mm
CTBP90VG/12	12	62.5mm

CTBP90VG



KEY FEATURES

Inline cable entry | Interlock mechanism | Professional rising clamp





002

PCB TERMINAL
BLOCKS

5mm high power vertical rising clamp terminal blocks

081

TERMINAL STRIPS

095

WIRE TO BOARD
CONNECTORS

100

CIRCULAR
CONNECTORS



151

IP68 CONNECTORS

158

INTERFACE
MODULES AND
RELAY BASES

Product overview

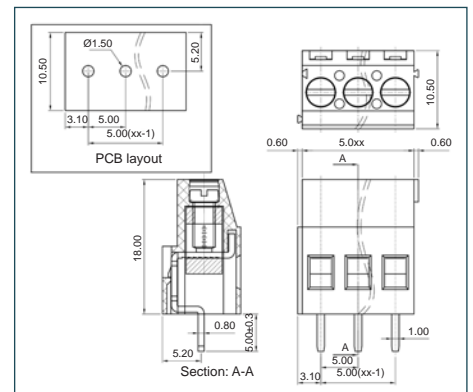
- 2 and 3 pole double interlocking mechanism for increased strength
- 4-12 pole solid block
- Moulded in green UL94-V0 flame retardant PA66
- Professional rising clamp terminals
- Cable acceptance - 0.13-3.31mm² (26-12AWG)
- Guided pin alignment
- Captive screw
-   approved

CTBP0700



SPECIFICATION	
Rating	UL=20A/300V, VDE=24A/250V
Impulse withstand voltage	2kV/1min
Working temperature	-40°C to +105°C
Moulding	UL94-V0 flame retardant PA66
Pin/terminal	Tinned, nickel plated brass
Rising clamp	Tinned, nickel plated brass
Screw/torque	M3 steel zinc plated, 0.5Nm
Recommended PCB hole size	ø1.5mm

PART NO.	POLES	LENGTH
CTBP0700/2	2	10mm
CTBP0700/3	3	15mm
CTBP0700/4	4	20mm
CTBP0700/5	5	25mm
CTBP0700/6	6	30mm
CTBP0700/7	7	35mm
CTBP0700/8	8	40mm
CTBP0700/9	9	45mm
CTBP0700/10	10	50mm
CTBP0700/11	11	55mm
CTBP0700/12	12	60mm



KEY FEATURES




High power | Double interlock mechanism | Professional rising clamp





5mm high power 90° rising clamp terminal blocks

Product overview

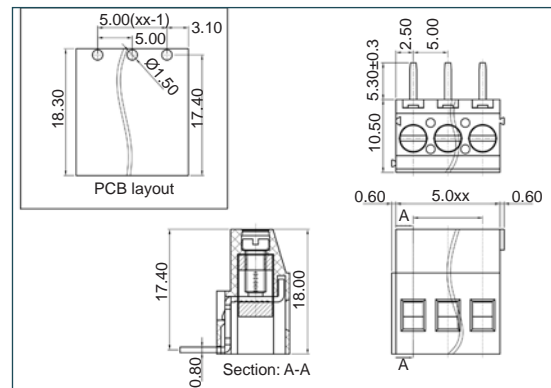
- 2 and 3 pole double interlocking mechanism for increased strength
- 4-12 pole solid block
- Moulded in green UL94-V0 flame retardant PA66
- Professional rising clamp terminals
- Cable acceptance - 0.13-3.31mm² (26-12AWG)
- Guided pin alignment
- Captive screw
-    approved

CTBP0750



SPECIFICATION	
Rating	UL=20A/300V, VDE=24A/250V
Impulse withstand voltage	2kV/1min
Working temperature	-40°C to 105°C
Moulding	UL94-V0 flame retardant PA66
Pin/terminal	Tinned, nickel plated brass
Rising clamp	Tinned, nickel plated brass
Screw/torque	M3 steel zinc plated, 0.5Nm
Recommended PCB hole size	ø1.5mm

PART NO.	POLES	LENGTH
CTBP0750/2	2	10mm
CTBP0750/3	3	15mm
CTBP0750/4	4	20mm
CTBP0750/5	5	25mm
CTBP0750/6	6	30mm
CTBP0750/7	7	35mm
CTBP0750/8	8	40mm
CTBP0750/9	9	45mm
CTBP0750/10	10	50mm
CTBP0750/11	11	55mm
CTBP0750/12	12	60mm



KEY FEATURES

High power | Double interlock mechanism | Rising clamp terminals





002

PCB TERMINAL
BLOCKS

081

TERMINAL STRIPS

095

WIRE TO BOARD
CONNECTORS

100

CIRCULAR
CONNECTORS

151

IP68 CONNECTORS

158

INTERFACE
MODULES AND
RELAY BASES

5.08mm pitch low profile rising clamp terminal blocks

Product overview

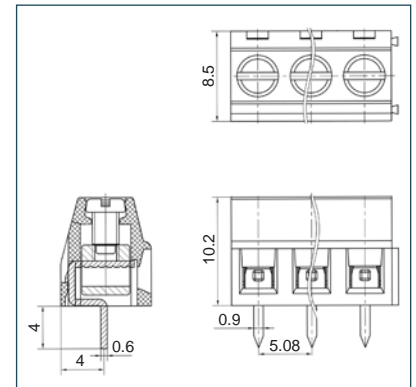
- 2 and 3 pole double interlocking mechanism for increased strength
- Professional rising clamp terminals
- Low profile
- Moulded in green UL94-V0 flame retardant PA66
- Cable acceptance - 0.4-1.3mm² (26-16AWG)
- Guided pin alignment
- approved

CTBP0508



SPECIFICATION	
Rating	UL=8A/300V, VDE=15A/250V
Insulation resistance	500M Ω/500V
Withstand voltage	AC2000V/1min
Contact resistance	20mΩ (max)
Working temperature	-40°C to +105°C
Moulding	UL94-V0 flame retardant PA66
Pin/terminal	Tin plated brass
Rising clamp	Brass, nickel plated
Screw/torque	M2.5 steel, zinc plated 0.4Nm
Recommended PCB hole size	ø1.3mm

PART NO.	POLES	LENGTH
CTBP0508/2	2	10.16mm
CTBP0508/3	3	15.24mm
CTBP0508/4	4	20.32mm
CTBP0508/5	5	25.4mm
CTBP0508/6	6	30.48mm
CTBP0508/7	7	35.56mm
CTBP0508/8	8	40.64mm
CTBP0508/9	9	45.72mm
CTBP0508/10	10	50.8mm
CTBP0508/11	11	55.88mm
CTBP0508/12	12	60.96mm




KEY FEATURES

Low profile | Double interlock mechanism | Professional rising clamp



5.08mm low profile 90° rising clamp terminal blocks

Product overview

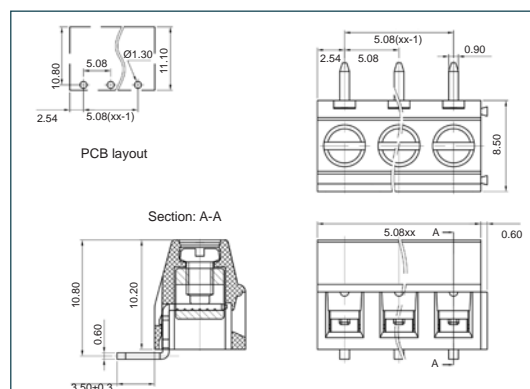
- 2 and 3 pole double interlocking mechanism for increased strength
- 4-12 solid block end stackable
- Moulded in green UL94-V0 flame retardant PA66
- Professional rising clamp terminals
- Cable acceptance - 0.1-2.8mm² (26-14AWG)
- Guided pin alignment
- Captive screw
-  approved

CTBP0558



SPECIFICATION	
Rating	UL=12A/300V
Impulse withstand voltage	1.6kV
Working temperature	-40°C to +105°C
Moulding	UL94-V0 flame retardant PA66
Pin/terminal	Tinned, nickel plated brass
Rising clamp	Tinned, nickel plated brass
Screw/torque	M2.5 steel zinc plated, 0.4Nm
Recommended PCB hole size	ø1.3mm

PART NO.	POLES	LENGTH
CTBP0558/2	2	10.16mm
CTBP0558/3	3	15.24mm
CTBP0558/4	4	20.32mm
CTBP0558/5	5	25.4mm
CTBP0558/6	6	30.48mm
CTBP0558/7	7	35.56mm
CTBP0558/8	8	40.64mm
CTBP0558/9	9	45.72mm
CTBP0558/10	10	50.8mm
CTBP0558/11	11	55.88mm
CTBP0558/12	12	60.96mm



KEY FEATURES

Low profile | Double interlock mechanism | Professional rising clamp



081

TERMINAL STRIPS

095

WIRE TO BOARD
CONNECTORS

100

CIRCULAR
CONNECTORS

151

IP68 CONNECTORS

158

INTERFACE
MODULES AND
RELAY BASES



002

PCB TERMINAL
BLOCKS

081

TERMINAL STRIPS

095

WIRE TO BOARD
CONNECTORS

100

CIRCULAR
CONNECTORS

151

IP68 CONNECTORS

158

INTERFACE
MODULES AND
RELAY BASES

5.08mm pitch standard profile rising clamp terminal blocks

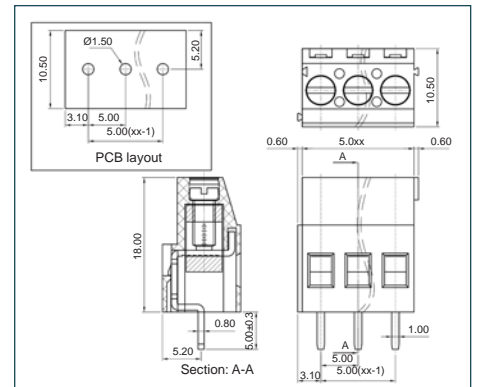
Product overview

- 2 and 3 pole double interlocking mechanism for increased strength
- Moulded in green UL94-V0 flame retardant PA
- Cable acceptance - 0.3-3.31mm² (22-12AWG)
- Professional rising clamp terminals
- Guided pin alignment
- Captive screws
- CE approved

CTBP0108



SPECIFICATION		PART NO.	POLES	LENGTH
Rating	16A / 300V	CTBP0108/2	2	10.16mm
Insulation resistance	500MΩ / 500V	CTBP0108/3	3	15.24mm
Withstand voltage	AC1600V / 1min	CTBP0108/4	4	20.32mm
Contact resistance	20mΩ (max)	CTBP0108/5	5	25.4mm
Working temperature	-40°C to +105°C	CTBP0108/6	6	30.48mm
Moulding	UL94-V0 flame retardant PA	CTBP0108/7	7	35.56mm
Pin/terminal	Tin plated brass	CTBP0108/8	8	40.64mm
Rising clamp	Nickel plated brass	CTBP0108/9	9	45.72mm
Screw/torque	M2.5 steel, zinc plated / 0.4Nm	CTBP0108/10	10	50.8mm
Recommended PCB hole size	Ø1.5mm	CTBP0108/11	11	55.88mm
		CTBP0108/12	12	60.96mm



KEY FEATURES

Standard profile | Double interlock mechanism | Rising clamp terminals





002

PCB TERMINAL
BLOCKS

5mm double decker rising clamp terminal blocks

081

TERMINAL STRIPS

Product overview

- Double interlocking mechanism for increased strength
- Double decker
- Moulded in green UL94-V0 flame retardant PA66
- 2.5mm² - IEC
- 30-14 AWG - UL
- Professional rising clamp terminals
- Guided pin alignment
- approved

095

WIRE TO BOARD
CONNECTORS

100

CIRCULAR
CONNECTORS

151

IP68 CONNECTORS

158

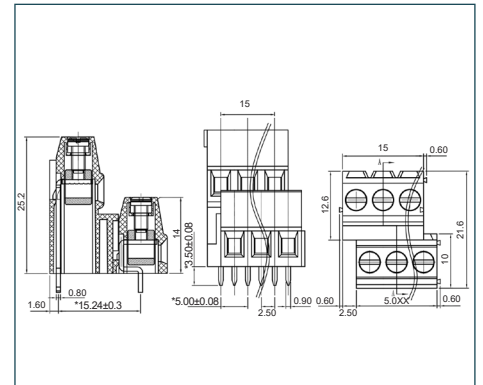
INTERFACE
MODULES AND
RELAY BASES

CTBPDDVG



SPECIFICATION	
Rating	UL=15A/300V VDE=18A/250V
Insulation resistance	500M Ω/500V
Withstand voltage	AC2000V/1min
Contact resistance	20mΩ (max)
Working temperature	-40°C to +105°C
Moulding	UL94-V0 flame retardant PA66
Pin/terminal	Tin plated brass
Rising clamp	Brass, nickel plated
Screw/torque	M2.5 steel, zinc plated 0.4Nm
Recommended PCB hole size	ø1.5mm

PART NO.	POLES	LENGTH
CTBPDDVG/2	4	12.5mm
CTBPDDVG/3	6	17.5mm
CTBPDDVG/4	8	22.5mm
CTBPDDVG/5	10	27.5mm
CTBPDDVG/6	12	32.5mm
CTBPDDVG/7	14	37.5mm
CTBPDDVG/8	16	42.5mm
CTBPDDVG/9	18	47.5mm
CTBPDDVG/10	20	52.5mm
CTBPDDVG/11	22	57.5mm
CTBPDDVG/12	24	62.5mm



KEY FEATURES



Double decker | Double interlocking mechanism | Professional rising clamp





5mm triple decker rising clamp terminal blocks

Product overview

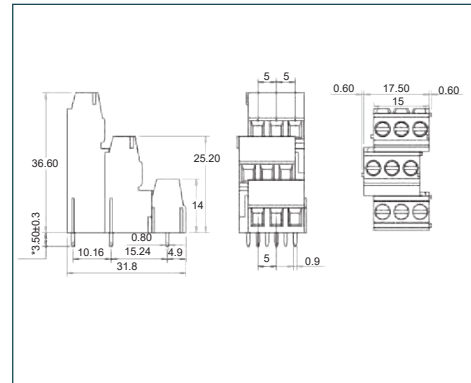
- Triple decker terminals
- Moulded in green UL94-V0 flame retardant PA66
- 2.5mm² - IEC
- 30-14 AWG - UL
- Professional rising clamp terminals
- Guided pin alignment
-   approved

CTBPTDVG



SPECIFICATION	
Rating	UL=15A/300V VDE=18A/250V
Insulation resistance	500M Ω /500V
Withstand voltage	AC2000V/1min
Contact resistance	20m Ω (max)
Working temperature	-40°C to +105°C
Moulding	UL94-V0 flame retardant PA66
Pin/terminal	Tin plated brass
Rising clamp	Brass, nickel plated
Screw/torque	M2.5 steel, zinc plated 0.4Nm
Recommended PCB hole size	ϕ 1.5mm

PART NO.	POLES	LENGTH
CTBPTDVG/2	6	12.5mm
CTBPTDVG/3	9	17.5mm
CTBPTDVG/4	12	22.5mm
CTBPTDVG/5	15	27.5mm
CTBPTDVG/6	18	32.5mm
CTBPTDVG/7	21	37.5mm
CTBPTDVG/8	24	42.5mm
CTBPTDVG/9	27	47.5mm
CTBPTDVG/10	30	52.5mm
CTBPTDVG/11	33	57.5mm
CTBPTDVG/12	36	62.5mm



KEY FEATURES


Flame retardant PA66 | Triple decker terminals | Professional rising clamp





5.08mm pitch standard profile 90° rising clamp terminal blocks

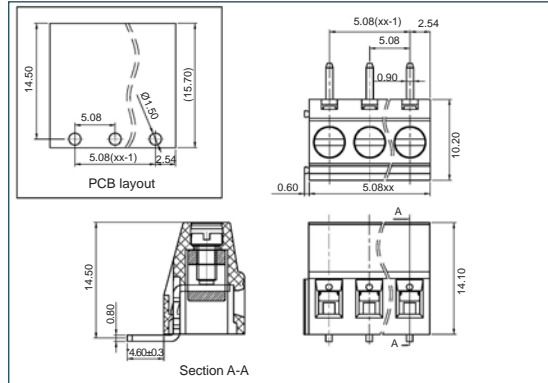
Product overview

- 2 and 3 pole double interlocking mechanism for increased strength
- Moulded in green UL94-V0 flame retardant PA
- 90° mounting
- Cable acceptance - 0.3-3.31mm² (22-12AWG)
- Professional rising clamp terminals
- Guided pin alignment
- Captive screws
-  approved

CTBP0158



SPECIFICATION		PART NO.	POLES	LENGTH
Rating	16A / 300V	CTBP0158/2	2	10.16mm
Insulation resistance	500MΩ / 500V	CTBP0158/3	3	15.24mm
Withstand voltage	AC1600V / 1min	CTBP0158/4	4	20.32mm
Contact resistance	20mΩ (max)	CTBP0158/5	5	25.4mm
Working temperature	-40°C to +105°C	CTBP0158/6	6	30.48mm
Moulding	UL94-V0 flame retardant PA	CTBP0158/7	7	35.56mm
Pin/terminal	Tin plated brass	CTBP0158/8	8	40.64mm
Rising clamp	Nickel plated brass	CTBP0158/9	9	45.72mm
Screw/torque	M2.5 steel, zinc plated / 0.4Nm	CTBP0158/10	10	50.8mm
Recommended PCB hole size	Ø1.5mm	CTBP0158/11	11	55.88mm
		CTBP0158/12	12	60.96mm



KEY FEATURES

Standard profile | Double interlock mechanism | Rising clamp terminals



5.08mm 45° rising clamp terminal blocks

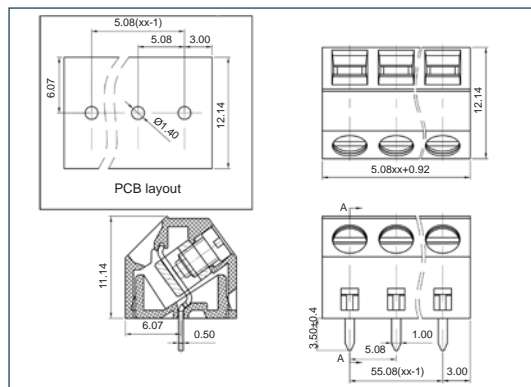
Product overview

- 2 and 3 pole interlocking
- 4-12 pole pre-assembled
- 45° mounting
- Moulded in green UL94-V0 flame retardant PA
- Professional rising clamp terminals
- Cable acceptance - 0.13-2.08mm² (26-14AWG)
- Captive screw
- approved



SPECIFICATION	
Rating	UL=15A/300V, VDE=24A/250V
Impulse withstand voltage	2.0kV/1min
Working temperature	-40°C to +105°C
Moulding	UL94-V0 flame retardant PA66
Pin/terminal	Tinned, nickel plated brass
Rising clamp	Tinned, nickel plated brass
Screw/torque	M3 steel zinc plated, 0.5Nm
Recommended PCB hole size	ø1.6mm

PART NO.	POLES	LENGTH
CTBP3008/2	2	11.08mm
CTBP3008/3	3	16.16mm
CTBP3008/4	4	21.32mm
CTBP3008/5	5	26.32mm
CTBP3008/6	6	31.4mm
CTBP3008/7	7	36.48mm
CTBP3008/8	8	41.56mm
CTBP3008/9	9	46.64mm
CTBP3008/10	10	51.72mm
CTBP3008/11	11	56.8mm
CTBP3008/12	12	61.88mm




KEY FEATURES

45° mounting | Interlocking | Professional rising clamp



5.08mm pitch high power rising clamp terminal blocks

Product overview

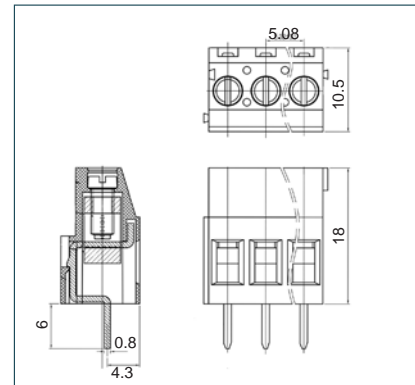
- 2 and 3 pole double interlocking mechanism for increased strength
- Professional rising clamp terminals
- High profile
- Moulded in green UL94-VO flame retardant PA66
- Cable acceptance - 0.4-2mm² (26-12AWG)
- 20A 300V
- Guided pin alignment
-  approved

CTBP0708



SPECIFICATION	
Rating	UL=20A/300V, VDE=20A/250V
Insulation resistance	500M Ω /500V
Withstand voltage	AC2000V/1min
Contact resistance	20m Ω (max)
Working temperature	-40°C to +105°C
Moulding	UL94-VO flame retardant PA66
Pin/terminal	Tin plated brass
Rising clamp	Brass, nickel plated
Screw/torque	M3 steel, zinc plated 0.5Nm
Recommended PCB hole size	ϕ 1.6mm

PART NO.	POLES	LENGTH
CTBP0708/2	2	10.16mm
CTBP0708/3	3	15.24mm
CTBP0708/4	4	20.32mm
CTBP0708/5	5	25.4mm
CTBP0708/6	6	30.48mm
CTBP0708/7	7	35.56mm
CTBP0708/8	8	40.64mm
CTBP0708/9	9	45.72mm
CTBP0708/10	10	50.8mm
CTBP0708/11	11	55.88mm
CTBP0708/12	12	60.96mm



KEY FEATURES



High powered 20A | Double interlock mechanism | Professional rising clamp



002
PCB TERMINAL
BLOCKS081
TERMINAL STRIPS095
WIRE TO BOARD
CONNECTORS100
CIRCULAR
CONNECTORS151
IP68 CONNECTORS158
INTERFACE
MODULES AND
RELAY BASES

5.08mm pitch high power 90° rising clamp terminal blocks

Product overview

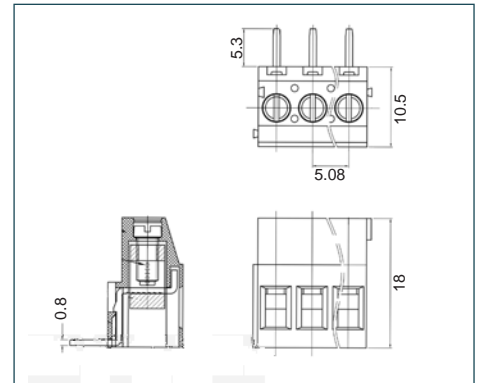
- 2 and 3 pole double interlocking mechanism for increased strength
- Professional rising clamp terminals
- High profile 90° mounting
- Moulded in green UL94-V0 flame retardant PA66
- Cable acceptance - 0.4-2mm² (26-12AWG)
- 20A 300V
- Guided pin alignment
-   approved

CTBP0758



SPECIFICATION	
Rating	UL=20A/300V, VDE=20A/250V
Insulation resistance	500M Ω/500V
Withstand voltage	AC2000V/1min
Contact resistance	20mΩ (max)
Working temperature	-40°C to +105°C
Moulding	UL94-V0 flame retardant PA66
Pin/terminal	Tin plated brass
Rising clamp	Brass, nickel plated
Screw/torque	M3 steel, zinc plated 0.5Nm
Recommended PCB hole size	ø1.6mm

PART NO.	POLES	LENGTH
CTBP0758/2	2	10.16mm
CTBP0758/3	3	15.24mm
CTBP0758/4	4	20.32mm
CTBP0758/5	5	25.4mm
CTBP0758/6	6	30.48mm
CTBP0758/7	7	35.56mm
CTBP0758/8	8	40.64mm
CTBP0758/9	9	45.72mm
CTBP0758/10	10	50.8mm
CTBP0758/11	11	55.88mm
CTBP0758/12	12	60.96mm



KEY FEATURES

High powered 20A | Double interlock mechanism | Professional rising clamp





5.08mm double decker rising clamp terminal blocks

Product overview

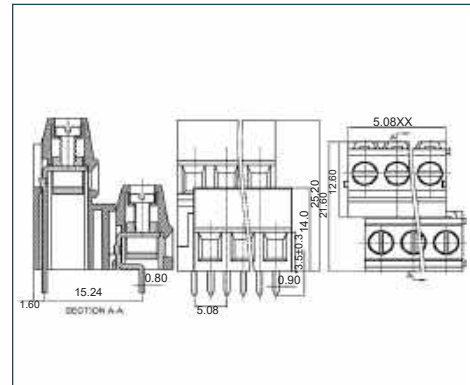
- 4(2x2) and 6(3x3) pole double interlocking systems for increased strength
- Double decker
- Professional rising clamp terminals
- Moulded in green UL94-V0 flame retardant PA66
- 2.5mm² - IEC
- 30-14 AWG - UL
- Captive screws
- Guided pin alignment
- Complies to EN60947-7-4

CTBPDDVJ



SPECIFICATION	
Rating	UL=15A/300V VDE=18A/250V
Insulation resistance	500M Ω/500V
Withstand voltage	AC2000V/1min
Contact resistance	20mΩ (max)
Working temperature	-40°C to +105°C
Moulding	UL94-V0 flame retardant PA66
Pin/terminal	Tin plated brass
Rising clamp	Brass, nickel plated
Screw/torque	M2.5 steel, zinc plated
Recommended PCB hole size	ø1.5mm

PART NO.	POLES	LENGTH
CTBPDDVJ/2	4	12.7mm
CTBPDDVJ/3	6	17.78mm
CTBPDDVJ/4	8	22.86mm
CTBPDDVJ/5	10	27.94mm
CTBPDDVJ/6	12	33.02mm
CTBPDDVJ/7	14	38.1mm
CTBPDDVJ/8	16	43.18mm
CTBPDDVJ/9	18	48.26mm
CTBPDDVJ/10	20	53.34mm
CTBPDDVJ/11	22	58.42mm
CTBPDDVJ/12	24	63.5mm



KEY FEATURES

Captive screws | Double interlock mechanism | Professional rising clamp





6.35mm pitch high power rising clamp terminal blocks

Product overview

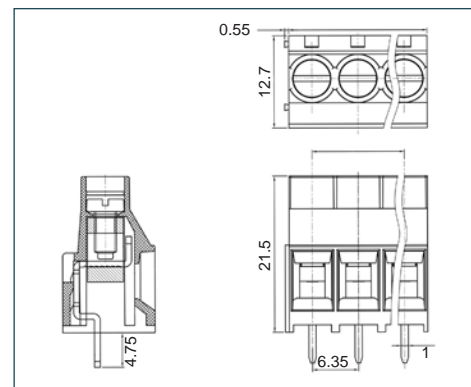
- 2 and 3 pole double interlocking mechanism for increased strength
- Professional rising clamp terminals
- High profile
- Moulded in green UL94-V0 flame retardant PA66
- Cable acceptance - 0.4-2.6mm² (26-10AWG)
- 32A 450V
- Guided pin alignment
- Turret design meets requirements of IP2X
- approved

CTBP04VY



SPECIFICATION	
Rating	UL=30A/300V, VDE=32A/450V
Insulation resistance	500M Ω /500V
Withstand voltage	AC2000V/1min
Contact resistance	20m Ω (max)
Working temperature	-40°C to +105°C
Moulding	UL94-V0 flame retardant PA66
Pin/terminal	Tin plated brass
Rising clamp	Brass, nickel plated
Screw/torque	M3 steel, zinc plated 0.5Nm
Recommended PCB hole size	ϕ 1.5mm

PART NO.	POLES	LENGTH
CTBP04VY/2	2	12.7mm
CTBP04VY/3	3	19.1mm
CTBP04VY/4	4	25.4mm
CTBP04VY/5	5	31.8mm
CTBP04VY/6	6	38.1mm
CTBP04VY/7	7	44.5mm
CTBP04VY/8	8	50.8mm
CTBP04VY/9	9	57.2mm
CTBP04VY/10	10	63.5mm
CTBP04VY/11	11	69.9mm
CTBP04VY/12	12	76.2mm



KEY FEATURES

High powered 32A | Double interlock mechanism | Professional rising clamp





002

PCB TERMINAL
BLOCKS

7.5mm pitch commercial low profile screw terminal blocks

081

TERMINAL STRIPS

095

WIRE TO BOARD
CONNECTORS

100

CIRCULAR
CONNECTORS


151

IP68 CONNECTORS

158

INTERFACE
MODULES AND
RELAY BASES

Product overview

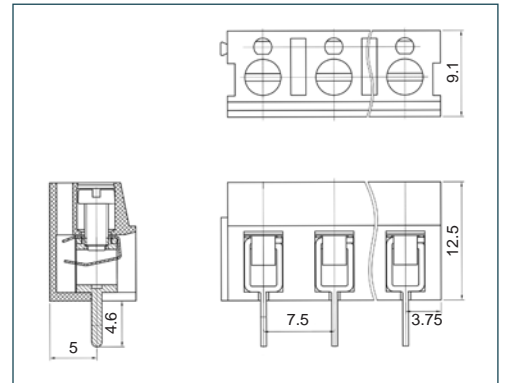
- 2 and 3 pole interlocking
- Wire protector terminals
- Low profile
- Moulded in green UL94-V0 flame retardant PA66
- Cable acceptance - 0.6-1.6mm² (22-14AWG)
- Guided pin alignment
- Anti solder wicking terminal
-  approved

CTBP55VK



SPECIFICATION	
Rating	UL=16A/250V, VDE=24A/250V
Insulation resistance	500MΩ/500V
Withstand voltage	AC2000V/1min
Contact resistance	20mΩ (max)
Working temperature	-40°C to +105°C
Moulding	UL94-V0 flame retardant PA66
Pin/terminal	Tin plated brass
Wire protector	Phosphor bronze, nickel plated
Screw/torque	M2.5 Steel, zinc plated 0.4Nm
Recommended PCB hole size	ø1.5mm

PART NO.	POLES	LENGTH
CTBP55VK/2	2	15mm
CTBP55VK/3	3	22.5mm
CTBP55VK/4	4	30mm
CTBP55VK/5	5	37.5mm
CTBP55VK/6	6	45mm
CTBP55VK/7	7	52.5mm
CTBP55VK/8	8	60mm
CTBP55VK/9	9	67.5mm
CTBP55VK/10	10	75mm
CTBP55VK/11	11	82.5mm
CTBP55VK/12	12	90mm





KEY FEATURES

Commercial value | Interlock mechanism | Wire protector terminals



7.5mm pitch standard profile rising clamp terminal blocks

Product overview

- 2 and 3 pole double interlocking mechanism for increased strength
- Professional rising clamp terminals
- Standard profile
- Moulded in green UL94-V0 flame retardant PA66
- Cable acceptance - 0.6-2mm² (22-12AWG)
- Guided pin alignment
-   approved

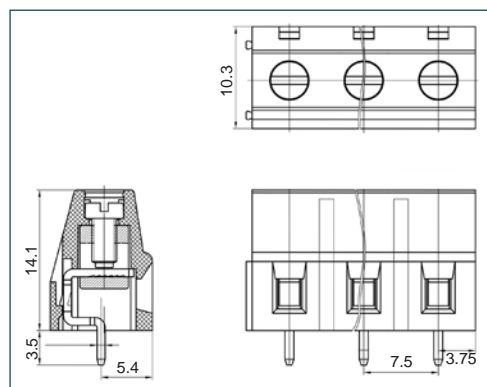
CTBP010



SPECIFICATION

Rating	UL=16A/250V, VDE=24A/250V
Insulation resistance	500M Ω /500V
Withstand voltage	AC2000V/1min
Contact resistance	20m Ω (max)
Working temperature	-40°C to +105°C
Moulding	UL94-V0 flame retardant PA66
Pin/terminal	Tin plated brass
Wire protector	Phosphor bronze, nickel plated
Screw/torque	M2.5 Steel, zinc plated 0.4Nm
Recommended PCB hole size	\varnothing 1.5mm

PART NO.	POLES	LENGTH
CTBP010/2	2	15mm
CTBP010/3	3	22.5mm
CTBP010/4	4	30mm
CTBP010/5	5	37.5mm
CTBP010/6	6	45mm
CTBP010/7	7	52.5mm
CTBP010/8	8	60mm
CTBP010/9	9	67.5mm
CTBP010/10	10	75mm
CTBP010/11	11	82.5mm
CTBP010/12	12	90mm



KEY FEATURES

Low profile | Double interlock mechanism | Professional rising clamp



081

TERMINAL STRIPS

095

WIRE TO BOARD
CONNECTORS

100

CIRCULAR
CONNECTORS

151



IP68 CONNECTORS

158

INTERFACE
MODULES AND
RELAY BASES

7.5mm pitch standard profile 90° rising clamp terminal blocks

Product overview

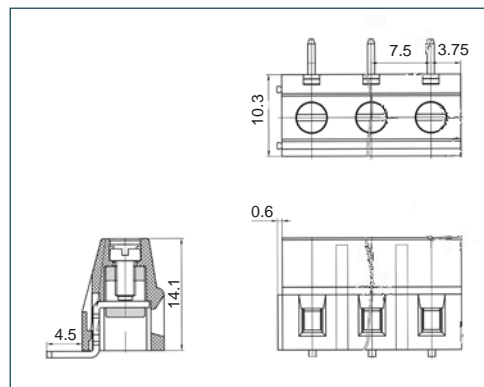
- 2 and 3 pole double interlocking mechanism for increased strength
- Professional rising clamp terminals
- Standard profile 90° mounting
- Moulded in green UL94-V0 flame retardant PA66
- Cable acceptance - 0.6-2mm² (22-12AWG)
- Guided pin alignment
-   approved

CTBP0115



SPECIFICATION	
Rating	UL=16A/250V, VDE=24A/250V
Insulation resistance	500MΩ/500V
Withstand voltage	AC2000V/1min
Contact resistance	20mΩ (max)
Working temperature	-40°C to +105°C
Moulding	UL94-V0 flame retardant PA66
Pin/terminal	Tin plated brass
Wire protector	Phosphor bronze, nickel plated
Screw/torque	M2.5 Steel, zinc plated 0.4Nm
Recommended PCB hole size	ø1.5mm

PART NO.	POLES	LENGTH
CTBP0115/2	2	15mm
CTBP0115/3	3	22.5mm
CTBP0115/4	4	30mm
CTBP0115/5	5	37.5mm
CTBP0115/6	6	45mm
CTBP0115/7	7	52.5mm
CTBP0115/8	8	60mm
CTBP0115/9	9	67.5mm
CTBP0115/10	10	75mm
CTBP0115/11	11	82.5mm
CTBP0115/12	12	90mm




KEY FEATURES

90 Degree orientation | Double interlock mechanism | Professional rising clamp



7.5mm high power vertical rising clamp terminal blocks

Product overview

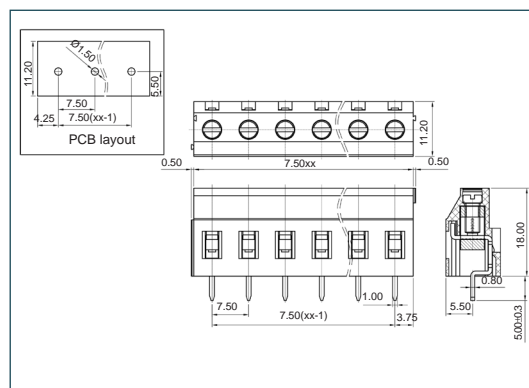
- 2 and 3 pole double interlocking mechanism for increased strength
- 4-12 pole pre-assembled
- Moulded in green UL94-V0 flame retardant PA66
- Professional rising clamp terminals
- Cable acceptance - 0.13-3.31mm² (26-12AWG)
- Guided pin alignment
- Captive screw
-  approved

CTBP07VK



SPECIFICATION	
Rating	UL=20A/300V, IEC=24A/250V
Impulse withstand voltage	2.0kV/1min
Working temperature	-40°C to +105°C
Moulding	UL94-V0 flame retardant PA66
Pin/terminal	Tinned, nickel plated brass
Rising clamp	Tinned, nickel plated brass
Screw/torque	M3 steel zinc plated, 0.5Nm
Recommended PCB hole size	ø1.5mm

PART NO.	POLES	LENGTH
CTBP07VK/2	2	15mm
CTBP07VK/3	3	22.5mm
CTBP07VK/4	4	30mm
CTBP07VK/5	5	37.5mm
CTBP07VK/6	6	45mm
CTBP07VK/7	7	52.5mm
CTBP07VK/8	8	60mm
CTBP07VK/9	9	67.5mm
CTBP07VK/10	10	75mm
CTBP07VK/11	11	82.5mm
CTBP07VK/12	12	90mm



KEY FEATURES

High power | Double interlock mechanism | Professional rising clamp



081

TERMINAL STRIPS

095

WIRE TO BOARD
CONNECTORS

100

CIRCULAR
CONNECTORS

151

IP68 CONNECTORS

158

INTERFACE
MODULES AND
RELAY BASES



002

PCB TERMINAL
BLOCKS

081

TERMINAL STRIPS

095

WIRE TO BOARD
CONNECTORS

100

CIRCULAR
CONNECTORS

151



IP68 CONNECTORS

158

INTERFACE
MODULES AND
RELAY BASES

7.62mm standard profile vertical rising clamp terminal blocks

Product overview

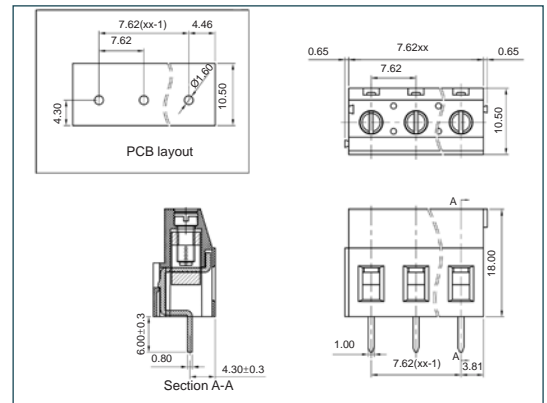
- 2 and 3 pole double interlocking mechanism for increased strength
- 4-12 pole pre-assembled
- Moulded in green UL94-V0 flame retardant PA66
- Professional rising clamp terminals
- Cable acceptance - 0.2-2.0mm² (30-12AWG)
- Guided pin alignment
-   approved

CTBP0118



SPECIFICATION	
Rating	UL=20A/300V, VDE=24A/450V
Impulse withstand voltage	1600V/1min
Working temperature	-40°C to +105°C
Moulding	UL94-V0 flame retardant PA66
Pin/terminal	Tinned, nickel plated brass
Rising clamp	Tinned, nickel plated brass
Screw/torque	M3 steel zinc plated, 0.5Nm
Recommended PCB hole size	ø1.6mm

PART NO.	POLES	LENGTH
CTBP0118/2	2	15.24mm
CTBP0118/3	3	22.86mm
CTBP0118/4	4	30.48mm
CTBP0118/5	5	38.10mm
CTBP0118/6	6	45.72mm
CTBP0118/7	7	53.34mm
CTBP0118/8	8	60.96mm
CTBP0118/9	9	68.58mm
CTBP0118/10	10	76.20mm
CTBP0118/11	11	83.82mm
CTBP0118/12	12	91.44mm



KEY FEATURES



Standard profile | Double interlock mechanism | Professional rising clamp





7.62mm standard profile 90° rising clamp terminal blocks

Product overview

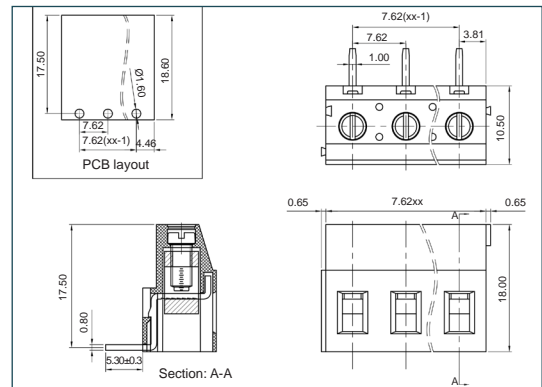
- 2 and 3 pole double interlocking mechanism for increased strength
- 4-12 pole pre-assembled
- Moulded in green UL94-V0 flame retardant PA66
- Professional rising clamp terminals
- Cable acceptance - 0.13-2.3mm² (26-12AWG)
- Guided pin alignment
-   approved

CTBP01HL



SPECIFICATION	
Rating	UL=20A/300V, VDE=24A/450V
Impulse withstand voltage	1600V/1min
Working temperature	-40°C to +105°C
Moulding	UL94-V0 flame retardant PA66
Pin/terminal	Tinned, nickel plated brass
Rising clamp	Tinned, nickel plated brass
Screw/torque	M3 steel zinc plated, 0.5Nm
Recommended PCB hole size	ø1.6mm

PART NO.	POLES	LENGTH
CTBP01HL/2	2	15.24mm
CTBP01HL/3	3	22.86mm
CTBP01HL/4	4	30.48mm
CTBP01HL/5	5	38.10mm
CTBP01HL/6	6	45.72mm
CTBP01HL/7	7	53.34mm
CTBP01HL/8	8	60.96mm
CTBP01HL/9	9	68.58mm
CTBP01HL/10	10	76.20mm
CTBP01HL/11	11	83.82mm
CTBP01HL/12	12	91.44mm



KEY FEATURES


Standard profile | Double interlock mechanism | Professional rising clamp



002
PCB TERMINAL
BLOCKS081
TERMINAL STRIPS095
WIRE TO BOARD
CONNECTORS100
CIRCULAR
CONNECTORS151
IP68 CONNECTORS158
INTERFACE
MODULES AND
RELAY BASES

7.62mm pitch high power rising clamp terminal blocks

Product overview

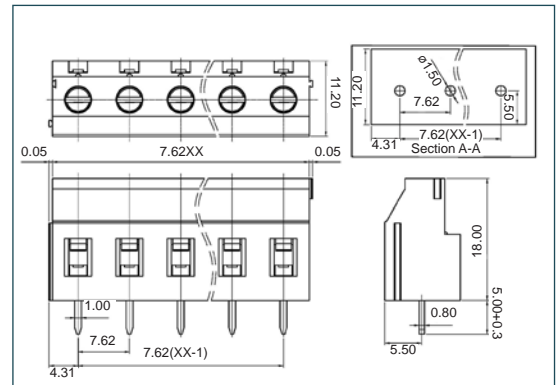
- 2 and 3 pole double interlocking mechanism for increased strength
- 4-12 pole pre-assembled
- Moulded in green UL94-V0 flame retardant PA
- Cable acceptance - 0.13-3.31mm² (26-12AWG)
- Professional rising clamp terminals
- Guided pin alignment
- Captive screws
-  us approved

CTBP07VL



SPECIFICATION	
Rating	20A / 300V
Withstand voltage	AC1600V / 1min
Working temperature	-40°C to +105°C
Moulding	UL94-V0 flame retardant PA66
Pin/terminal	Tinned, nickel plated brass
Rising clamp	Tinned, nickel plated brass
Screw/torque	M3 steel, zinc plated / 0.5Nm
Recommended PCB hole size	Ø1.5mm

PART NO.	POLES	LENGTH
CTBP07VL/2	2	15.24mm
CTBP07VL/3	3	22.86mm
CTBP07VL/4	4	30.48mm
CTBP07VL/5	5	38.1mm
CTBP07VL/6	6	45.72mm
CTBP07VL/7	7	53.34mm
CTBP07VL/8	8	60.96mm
CTBP07VL/9	9	68.58mm
CTBP07VL/10	10	76.2mm
CTBP07VL/11	11	83.82mm
CTBP07VL/12	12	91.44mm



KEY FEATURES

High power | Double interlock mechanism | Rising clamp terminals



9.5mm pitch high power rising clamp terminal blocks

Product overview

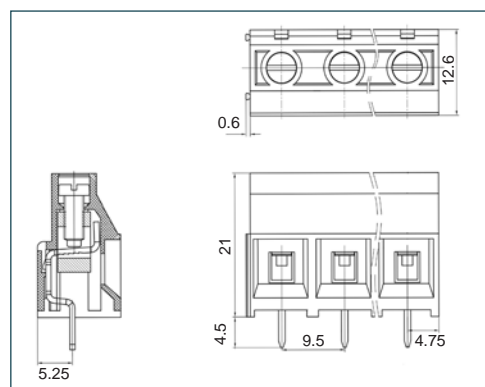
- 2 and 3 pole double interlocking mechanism for increased strength
- Professional rising clamp terminals
- High profile
- Moulded in green UL94-V0 flame retardant PA66
- Cable acceptance - 0.13-5.26mm² (26-10AWG)
- Guided pin alignment
- 32A 630V
-   approved

CTBP04VZ



SPECIFICATION	
Rating	UL=30A/300V, VDE=32A/630V
Insulation resistance	500M Ω /500V
Withstand voltage	AC2000V/1min
Contact resistance	20m Ω (max)
Working temperature	-40°C to +105°C
Moulding	UL94-V0 flame retardant PA66
Pin/terminal	Tin plated brass
Rising clamp	Brass, nickel plated
Screw/torque	M3 steel, zinc plated 0.5Nm
Recommended PCB hole size	ϕ 1.6mm

PART NO.	POLES	LENGTH
CTBP04VZ/2	2	19.0mm
CTBP04VZ/3	3	28.5mm
CTBP04VZ/4	4	38.0mm
CTBP04VZ/5	5	47.5mm
CTBP04VZ/6	6	57.0mm
CTBP04VZ/7	7	66.5mm
CTBP04VZ/8	8	76.0mm
CTBP04VZ/9	9	85.5mm
CTBP04VZ/10	10	95.0mm
CTBP04VZ/11	11	104.5mm
CTBP04VZ/12	12	114.0mm



KEY FEATURES

High power 32A | Double interlock mechanism | Professional rising clamp



081

TERMINAL STRIPS

095

WIRE TO BOARD
CONNECTORS

100

CIRCULAR
CONNECTORS

151

IP68 CONNECTORS

158

INTERFACE
MODULES AND
RELAY BASES



002


PCB TERMINAL
BLOCKS

10mm pitch low profile wire protector terminal blocks

081

TERMINAL STRIPS

Product overview

- 1 and 2 pole interlocking mechanism
- 3-6 pole solid block end stackable
- Moulded in green UL94-V0 flame retardant PA
- Cable acceptance - 0.33-2mm² (22-14AWG)
- Wire protector terminals
- Guided pin alignment
- Captive screws
- Anti solder wicking terminals
-  US approved

CTBP6000



CTBP6000/1/15



095

WIRE TO BOARD
CONNECTORS

100

CIRCULAR
CONNECTORS

151

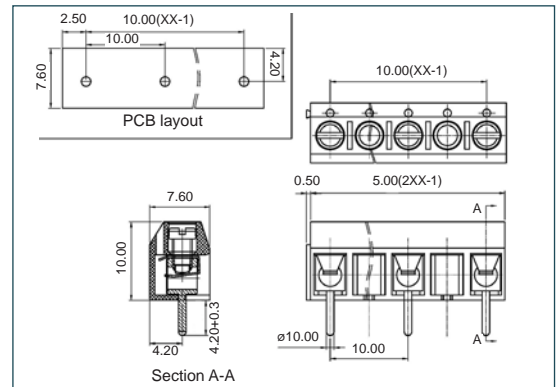
IP68 CONNECTORS

158

INTERFACE
MODULES AND
RELAY BASES

SPECIFICATION	
Rating	16A / 250V
Withstand voltage	AC 1500V / 1Min
Working temperature	-40°C to +105°C
Moulding	UL94-V0 flame retardant PA
Pin/terminal	Tinned, nickel plated brass
Wire protector	Tin plated, phosphor bronze
Screw/torque	M2.5 steel, zinc plated / 0.4Nm
Recommended PCB hole size	Ø1.3mm

PART NO.	POLES	LENGTH
CTBP6000/1	1	10mm
CTBP6000/1/15	1	15mm
CTBP6000/2	2	15mm
CTBP6000/3	3	25mm
CTBP6000/4	4	35mm
CTBP6000/5	5	45mm
CTBP6000/6	6	55mm
CTBP6000/7	7	65mm
CTBP6000/8	8	75mm
CTBP6000/9	9	85mm
CTBP6000/10	10	95mm
CTBP6000/11	11	105mm
CTBP6000/12	12	115mm




KEY FEATURES

Wire protector terminals | Captive screws | Anti solder wicking terminals



10mm pitch low profile 90° wire protector terminal blocks

Product overview

- 1 and 2 pole interlocking mechanism
- 3-6 pole solid block end stackable
- Moulded in green UL94-V0 flame retardant PA
- 90° mounting
- Cable acceptance - 0.33-2mm² (22-14AWG)
- Wire protector terminals
- Guided pin alignment
- Captive screws
- Anti solder wicking terminals
-  approved

CTBP6050

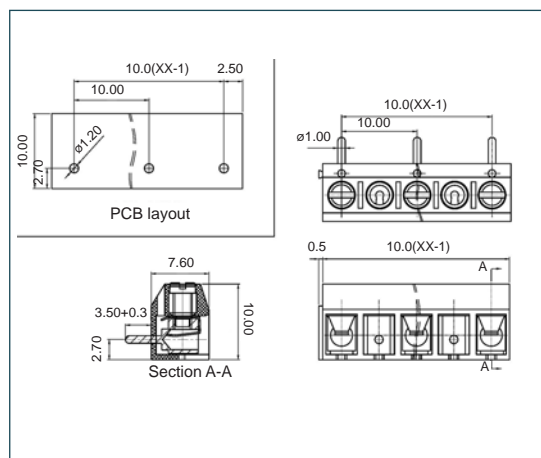


CTBP6050/1/15



SPECIFICATION	
Rating	16A / 250V
Withstand voltage	AC 1500V / 1Min
Working temperature	-40°C to +105°C
Moulding	UL94-V0 flame retardant PA
Pin/terminal	Tinned, nickel plated brass
Wire protector	Tin plated, phosphor bronze
Screw/torque	M2.5 steel, zinc plated / 0.4Nm
Recommended PCB hole size	Ø1.3mm

PART NO.	POLES	LENGTH
CTBP6050/1	1	10mm
CTBP6050/1/15	1	15mm
CTBP6050/2	2	15mm
CTBP6050/3	3	25mm
CTBP6050/4	4	35mm
CTBP6050/5	5	45mm
CTBP6050/6	6	55mm
CTBP6050/7	7	65mm
CTBP6050/8	8	75mm
CTBP6050/9	9	85mm
CTBP6050/10	10	95mm
CTBP6050/11	11	105mm
CTBP6050/12	12	115mm



KEY FEATURES

Low profile | Interlocking mechanism | Wire protector terminals



081

TERMINAL STRIPS

095

WIRE TO BOARD
CONNECTORS

100

CIRCULAR
CONNECTORS

151

IP68 CONNECTORS

158

INTERFACE
MODULES AND
RELAY BASES



002

PCB TERMINAL
BLOCKS

081

TERMINAL STRIPS

095

WIRE TO BOARD
CONNECTORS

100

CIRCULAR
CONNECTORS

151


IP68 CONNECTORS

158

INTERFACE
MODULES AND
RELAY BASES

10mm pitch low profile rising clamp terminal blocks

Product overview

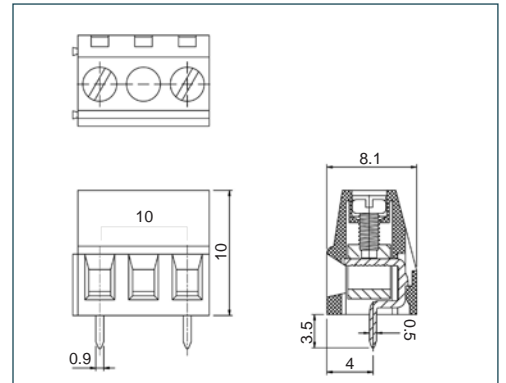
- 2 and 3 pole double interlocking mechanism for increased strength
- Professional rising clamp terminals
- Low profile
- Moulded in green UL94-V0 flame retardant PA66
- Cable acceptance - 0.4-1.3mm² (26-16 AWG)
- Guided pin alignment
-  approved

CTB0602



SPECIFICATION	
Rating	10A/300V
Dielectric strength	≥2kV
Insulation resistance	5000M Ω/1000V
Working temperature	-33°C to +120°C
Moulding	UL94-V0 flame retardant PA66
Pin/terminal	Tin plated brass
Wire clamp	Nickel plated brass
Screw/torque	M2.5 steel Ni plated
Recommended PCB hole size	ø1.4mm

PART NO.	POLES	LENGTH
CTB0602/2	2	15.2mm
CTB0602/3	3	25mm
CTB0602/4	4	35mm
CTB0602/5	5	45mm
CTB0602/6	6	55mm
CTB0602/7	7	65mm
CTB0602/8	8	75mm
CTB0602/9	9	85mm
CTB0602/10	10	95mm
CTB0602/11	11	105mm
CTB0602/12	12	115mm



KEY FEATURES


Low profile | Double interlock mechanism | Professional rising clamp





10mm low profile 90° rising clamp terminal blocks

Product overview

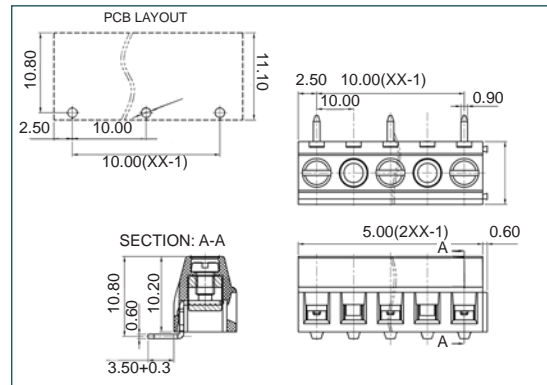
- 1 and 2 pole double interlocking mechanism for increased strength
- Moulded in green UL94-V0 flame retardant PA
- Professional rising clamp terminals
- Cable acceptance - 0.33-1.3mm² (22-16 AWG)
- Guided pin alignment
- Captive screws
-  approved

CTBP6550



SPECIFICATION	
Rating	16A / 300V
Insulation resistance	500M Ω / 500V
Withstand voltage	AC 1600V / 1Min
Contact resistance	20m Ω (max)
Working temperature	-40°C to +105°C
Moulding	UL94-V0 flame retardant PA66
Pin/terminal	Tin plated brass
Rising clamp	Nickel plated brass
Screw/torque	M2.5 steel, zinc plated / 0.4Nm
Recommended PCB hole size	\varnothing 1.3mm

PART NO.	POLES	LENGTH
CTBP6550/1	1	10mm
CTBP6550/1/15	1	15mm
CTBP6550/2	2	15mm
CTBP6550/3	3	25mm
CTBP6550/4	4	35mm
CTBP6550/5	5	45mm
CTBP6550/6	6	55mm
CTBP6550/7	7	65mm
CTBP6550/8	8	75mm
CTBP6550/9	9	85mm
CTBP6550/10	10	95mm
CTBP6550/11	11	105mm
CTBP6550/12	12	115mm



KEY FEATURES

Low profile | Double interlocking mechanism | Rising clamp terminals



002
PCB TERMINAL
BLOCKS081
TERMINAL STRIPS095
WIRE TO BOARD
CONNECTORS100
CIRCULAR
CONNECTORS151
IP68 CONNECTORS158
INTERFACE
MODULES AND
RELAY BASES

10mm pitch standard profile terminal blocks

Product overview

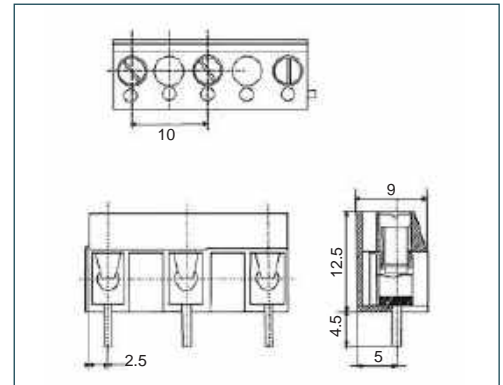
- 2 to 12 pole interlocking
- Wire protector terminals
- Standard profile
- Moulded in green UL94-V0 PA66
- Cable acceptance - 0.4-1.3mm² (26-16 AWG)
- Guided pin alignment
- approved

CTBP2000



SPECIFICATION	
Rating	16A 250V
Dielectric strength	5000M Ω /1000V
Insulation resistance	AC1500V/1min
Working temperature	20m Ω
Moulding	-33°C to +120°C
Pin/terminal	UL94-V0 flame retardant PA66
Wire clamp	Stainless steel
Screw/torque	M3 steel, nickel plated 0.4Nm
Recommended PCB hole size	ϕ 1.1mm

PART NO.	POLES	LENGTH
CTBP2000/2	2	15mm
CTBP2000/3	3	25mm
CTBP2000/4	4	35mm
CTBP2000/5	5	45mm
CTBP2000/6	6	55mm
CTBP2000/7	7	65mm
CTBP2000/8	8	75mm
CTBP2000/9	9	85mm
CTBP2000/10	10	95mm
CTBP2000/11	11	105mm
CTBP2000/12	12	115mm



KEY FEATURES

Green UL94-V0 moulding | Interlock mechanism | Wire protector terminals





10mm pitch standard profile 90° wire protector terminal blocks

Product overview

- 1 and 2 pole interlocking mechanism
- 3-6 pole solid block end stackable
- 90° mounting
- Moulded in green UL94-V0 flame retardant PA
- Cable acceptance - 0.33-2mm² (22-14 AWG)
- Wire protector terminals
- Guided pin alignment
- Captive screws
- Anti solder wicking terminals
- approved

CTBP2050

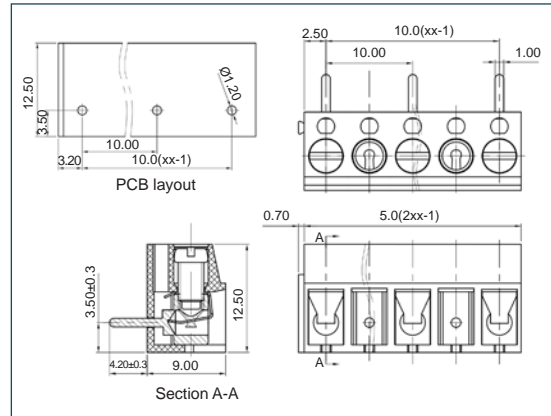


CTBP2050/1/15



SPECIFICATION	
Rating	16A / 250V
Withstand voltage	AC 1500V / 1Min
Working temperature	-40°C to +105°C
Moulding	UL94-V0 flame retardant PA
Pin/terminal	Tinned, nickel plated brass
Wire protector	Tin plated, phosphor bronze
Screw/torque	M3 steel, zinc plated / 0.5Nm
Recommended PCB hole size	Ø1.2mm

PART NO.	POLES	LENGTH
CTBP2050/1	1	10mm
CTBP2050/1/15	1	15mm
CTBP2050/2	2	15mm
CTBP2050/3	3	25mm
CTBP2050/4	4	35mm
CTBP2050/5	5	45mm
CTBP2050/6	6	55mm
CTBP2050/7	7	65mm
CTBP2050/8	8	75mm
CTBP2050/9	9	85mm
CTBP2050/10	10	95mm
CTBP2050/11	11	105mm
CTBP2050/12	12	115mm



KEY FEATURES

Standard profile | Interlocking mechanism | Wire protector terminals





002

PCB TERMINAL
BLOCKS

081

TERMINAL STRIPS

095

WIRE TO BOARD
CONNECTORS

100

CIRCULAR
CONNECTORS

151


IP68 CONNECTORS

158

INTERFACE
MODULES AND
RELAY BASES

10mm pitch standard profile rising clamp terminal blocks

Product overview

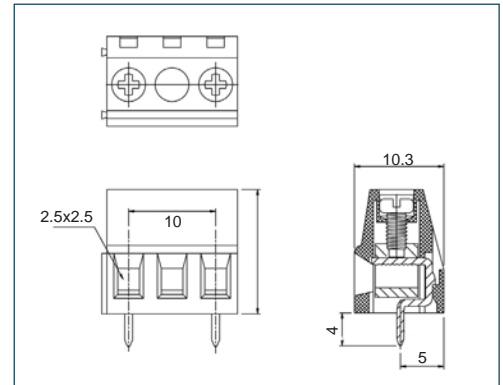
- 2 to 12 pole interlocking
- Professional rising clamp terminals
- Standard profile
- Moulded in green UL94-V0 flame retardant PA66
- Cable acceptance - 0.33-3.31mm² (22-12 AWG)
- Guided pin alignment
-  approved

CTB0202



SPECIFICATION	
Rating	10A 300V
Insulation resistance	5000M Ω /1000V
Withstand voltage	AC1500V/1min
Contact resistance	20m Ω
Working temperature	-33°C to +120°C
Moulding	UL94-V0 flame retardant PA66
Pin/terminal	Tin plated brass
Wire clamp	Nickel plated brass
Screw/torque	M2.5 steel, nickel plated 0.4Nm
Recommended PCB hole size	ϕ 1.5mm

PART NO.	POLES	LENGTH
CTB0202/2	2	15.2mm
CTB0202/3	3	25mm
CTB0202/4	4	35mm
CTB0202/5	5	45mm
CTB0202/6	6	55mm
CTB0202/7	7	75mm
CTB0202/8	8	85mm
CTB0202/9	9	95mm
CTB0202/10	10	105mm
CTB0202/11	11	115mm
CTB0202/12	12	125mm



KEY FEATURES


2-12 pole interlocking | Double interlock mechanism | Professional rising clamp





10mm pitch standard profile 90° rising clamp terminal blocks

Product overview

- 1 and 2 pole interlocking mechanism
- Moulded in green UL94-V0 flame retardant PA
- Professional rising clamp terminals
- 90° mounting
- Cable acceptance - 0.33-3.31mm² (22-12 AWG)
- Guided pin alignment
- Captive screws
- Anti solder wicking terminals
-  approved

CTBP2550

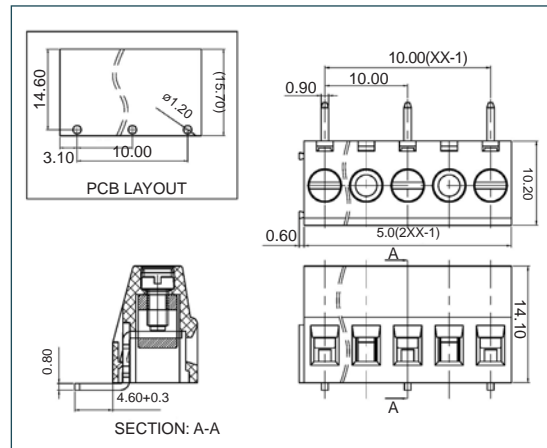


CTBP2550/1/15



SPECIFICATION	
Rating	16A / 300V
Withstand voltage	AC 1600V / 1Min
Working temperature	-40°C to +105°C
Moulding	UL94-V0 flame retardant PA66
Pin/terminal	Tinned, nickel plated brass
Rising clamp	Tinned, nickel plated brass
Screw/torque	M2.5 steel, zinc plated / 0.4Nm
Recommended PCB hole size	Ø1.3mm

PART NO.	POLES	LENGTH
CTBP2550/1	1	10mm
CTBP2550/1/15	1	15mm
CTBP2550/2	2	15mm
CTBP2550/3	3	25mm
CTBP2550/4	4	35mm
CTBP2550/5	5	45mm
CTBP2550/6	6	55mm
CTBP2550/7	7	65mm
CTBP2550/8	8	75mm
CTBP2550/9	9	85mm
CTBP2550/10	10	95mm
CTBP2550/11	11	105mm
CTBP2550/12	12	115mm



KEY FEATURES

Standard profile | Interlocking mechanism | Rising clamp terminals





002

PCB TERMINAL
BLOCKS

081

TERMINAL STRIPS

095

WIRE TO BOARD
CONNECTORS

100

CIRCULAR
CONNECTORS

151


IP68 CONNECTORS

158

INTERFACE
MODULES AND
RELAY BASES

10mm pitch low profile 45° rising clamp terminal blocks

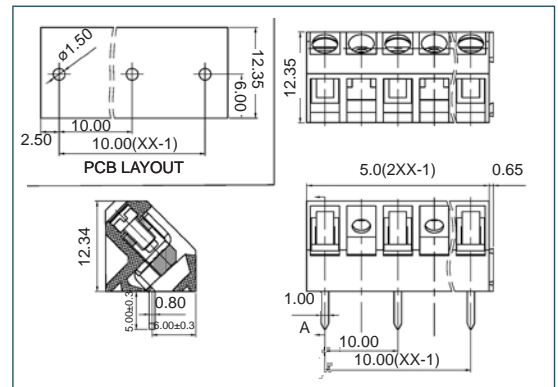
Product overview

- 1 and 12 pole interlocking mechanism
- 45° mounting
- Captive screws
- Moulded in green UL94-V0 flame retardant PA
- Cable acceptance - 0.32-1.6mm² (28-14 AWG)
-  approved



SPECIFICATION	
Rating	15A / 300V
Withstand voltage	AC 1600V / 1Min
Working temperature	-40°C to +105°C
Moulding	UL94-V0 flame retardant PA
Pin/terminal	Tinned, nickel plated brass
Rising clamp	Zinc plated steel
Screw/torque	M3 steel zinc plated, 0.4Nm
Recommended PCB hole size	Ø1.6mm

PART NO.	POLES	LENGTH
CTBP4000/1	1	10mm
CTBP4000/1/15	1	15mm
CTBP4000/2	2	15mm
CTBP4000/3	3	25mm
CTBP4000/4	4	35mm
CTBP4000/5	5	45mm
CTBP4000/6	6	55mm
CTBP4000/7	7	65mm
CTBP4000/8	8	75mm
CTBP4000/9	9	85mm
CTBP4000/10	10	95mm
CTBP4000/11	11	105mm
CTBP4000/12	12	115mm



KEY FEATURES

Low profile | 45° cable entry | Rising clamp terminals



10.16mm pitch low profile rising clamp terminal blocks

Product overview

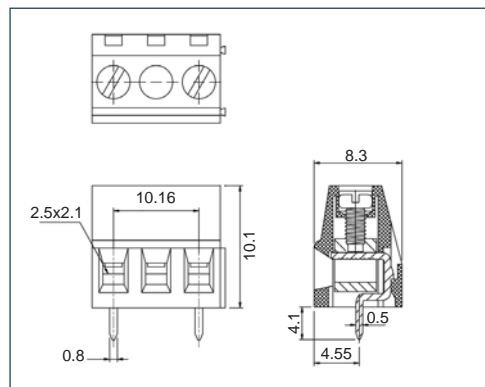
- 2 to 12 pole interlocking
- Professional rising clamp terminals
- Low profile
- Moulded in green UL94-V0 flame retardant PA
- Cable acceptance - 0.13-1.31mm² (26-16 AWG)
- Guided pin alignment
-  approved

CTB0609



SPECIFICATION	
Rating	10A/300V
Dielectric strength	≥2kV
Insulation resistance	5000M Ω/1000V
Working temperature	-33°C to +120°C
Moulding	UL94-V0 flame retardant PA66
Pin/terminal	Brass, tin plated
Wire clamp	Nickel plated brass
Screw/torque	M2.5 steel nickel plated
Recommended PCB hole size	ø1.3mm

PART NO.	POLES	LENGTH
CTB0609/2	2	15.2mm
CTB0609/3	3	24.6mm
CTB0609/4	4	34.76mm
CTB0609/5	5	44.92mm
CTB0609/6	6	55.08mm
CTB0609/7	7	65.24mm
CTB0609/8	8	75.4mm
CTB0609/9	9	85.56mm
CTB0609/10	10	95.72mm
CTB0609/11	11	105.88mm
CTB0609/12	12	116.04mm



KEY FEATURES

2 to 12 pole interlocking | Double interlock mechanism | Professional rising clamp



081

TERMINAL STRIPS

095

WIRE TO BOARD
CONNECTORS

100

CIRCULAR
CONNECTORS

151

IP68 CONNECTORS

158

INTERFACE
MODULES AND
RELAY BASES



002

PCB TERMINAL
BLOCKS

081

TERMINAL STRIPS

095

WIRE TO BOARD
CONNECTORS

100

CIRCULAR
CONNECTORS

151

IP68 CONNECTORS

158

INTERFACE
MODULES AND
RELAY BASES

10.16mm pitch very high power rising clamp terminal blocks

Product overview

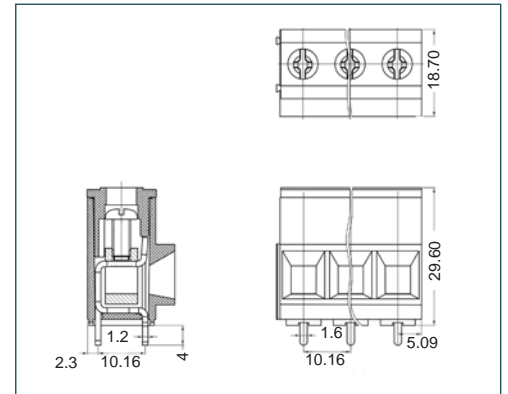
- 2 to 12 pole interlocking terminal block
- Professional rising clamp terminals
- High profile
- Moulded in green UL94-V0 flame retardant PA
- Cable acceptance - 0.6-4.1mm² (22-6 AWG)
- Guided pin alignment
- 57A 750V
- approved

CTBP77VP



SPECIFICATION	
Rating	UL=52A/300V, VDE=57A/750V
Insulation resistance	500M Ω /500V
Withstand voltage	AC2000V/1min
Contact resistance	20m Ω (max)
Working temperature	-40°C to +105°C
Moulding	UL94-V0 flame retardant PA66
Pin/terminal	Tin plated brass
Rising clamp	Brass, nickel plated
Screw/torque	M4 steel, zinc plated 1.2Nm
Recommended PCB hole size	\varnothing 2.4mm

PART NO.	POLES	LENGTH
CTBP77VP/2	2	20.3mm
CTBP77VP/3	3	30.5mm
CTBP77VP/4	4	40.6mm
CTBP77VP/5	5	51mm
CTBP77VP/6	6	61mm
CTBP77VP/7	7	71.1mm
CTBP77VP/8	8	81.3mm
CTBP77VP/9	9	91.4mm
CTBP77VP/10	10	101.6mm
CTBP77VP/11	11	111.8mm
CTBP77VP/12	12	121.9mm



KEY FEATURES











Very high power 57A | Double interlock mechanism | Professional rising clamp



002
PCB TERMINAL
BLOCKS

PCB TERMINAL BLOCKS - PLUGGABLES

Two-part plug and socket type PCB terminal blocks are ideal for assemblies where it may be necessary to disconnect and reconnect periodically. They are often used on higher value assemblies where repair downtime can be minimised.

		
3.5mm pitch pluggable rising clamp terminal blocks 58	3.81mm pitch pluggable rising clamp terminal blocks 60	5mm pitch pluggable rising clamp terminal blocks 62
		
5mm pitch pluggable rising clamp terminal blocks with screw flanges 64	5.08mm pitch pluggable rising clamp terminal blocks 65	5.08mm pitch pluggable rising clamp terminal blocks with screw flanges 67
		
7.5mm pitch pluggable rising clamp terminal blocks 68	7.62mm pitch pluggable rising clamp terminal blocks 70	5.08mm inverted/ reverse terminal blocks 72
		
5mm pitch pluggable terminal blocks for vertical or 90° mounting 74		

081

TERMINAL STRIPS

095

WIRE TO BOARD
CONNECTORS

100

CIRCULAR
CONNECTORS

151

IP68 CONNECTORS

158

INTERFACE
MODULES AND
RELAY BASES



002

PCB TERMINAL
BLOCKS

081

TERMINAL STRIPS

095

WIRE TO BOARD
CONNECTORS

100

CIRCULAR
CONNECTORS

151

IP68 CONNECTORS

158

INTERFACE
MODULES AND
RELAY BASES

3.5mm pitch pluggable rising clamp terminal blocks

Product overview

- 2-12 pole solid block professional rising clamp terminals
- Moulded in green UL94-V0 flame retardant PA66
- Cable acceptance - 0.32 to 1.3mm² (28-16AWG) solid and stranded cable
- Polarised mouldings
- Pluggable male and female connectors
- Closed headers
- Horizontal and vertical female plug styles
- Anti solder wicking
- Captive screws
- Guided pin alignment
- approved

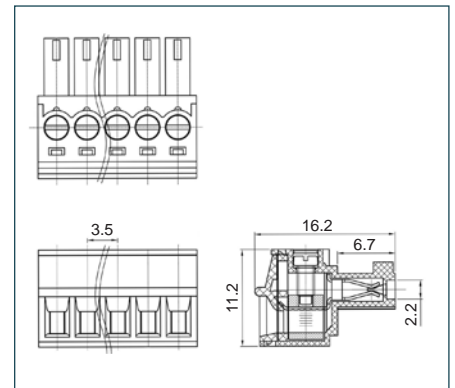
SPECIFICATION

Rating	UL=8A/300V, VDE=10A/250V
Insulation resistance	500M Ω/500V
Withstand voltage	AC2000V/1min
Contact resistance	20mΩ (max)
Working temperature	-40°C to +105°C
Moulding	UL94-V0 flame retardant PA66
Pin/terminal	Tin plated brass
Rising clamp	Brass, nickel plated
Screw/torque	M2 steel, zinc plated 0.2Nm
Recommended PCB hole size	ø1.4mm

Female connector

PART NO.	POLES	LENGTH
CTBP92HD/2	2	7.8mm
CTBP92HD/3	3	11.3mm
CTBP92HD/4	4	14.8mm
CTBP92HD/5	5	18.3mm
CTBP92HD/6	6	21.8mm
CTBP92HD/7	7	25.3mm
CTBP92HD/8	8	28.8mm
CTBP92HD/9	9	32.3mm
CTBP92HD/10	10	35.8mm
CTBP92HD/11	11	39.3mm
CTBP92HD/12	12	42.8mm

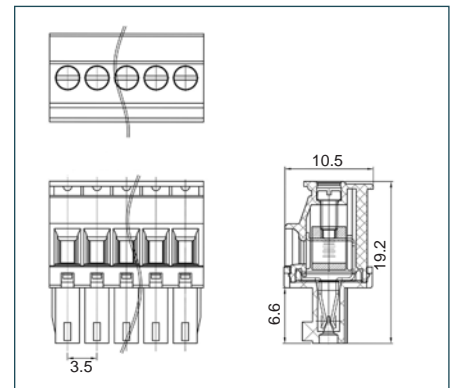
CTBP92HD



Female vertical connector (standard)

PART NO.	POLES	LENGTH
CTBP92VD/2S	2	7.8mm
CTBP92VD/3S	3	11.3mm
CTBP92VD/4S	4	14.8mm
CTBP92VD/5S	5	18.3mm
CTBP92VD/6S	6	21.8mm
CTBP92VD/7S	7	25.3mm
CTBP92VD/8S	8	28.8mm
CTBP92VD/9S	9	32.3mm
CTBP92VD/10S	10	35.8mm
CTBP92VD/11S	11	39.3mm
CTBP92VD/12S	12	42.8mm

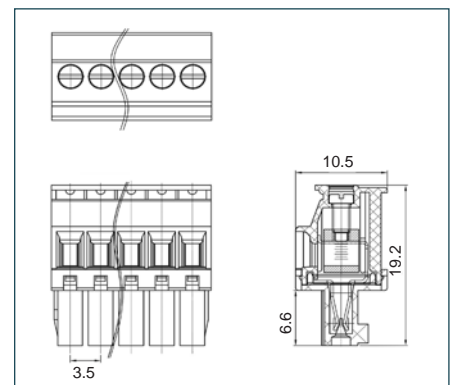
CTBP92VD S



Female vertical connector (reversed)

PART NO.	POLES	LENGTH
CTBP92VD/2R	2	7.8mm
CTBP92VD/3R	3	11.3mm
CTBP92VD/4R	4	14.8mm
CTBP92VD/5R	5	18.3mm
CTBP92VD/6R	6	21.8mm
CTBP92VD/7R	7	25.3mm
CTBP92VD/8R	8	28.8mm
CTBP92VD/9R	9	32.3mm
CTBP92VD/10R	10	35.8mm
CTBP92VD/11R	11	39.3mm
CTBP92VD/12R	12	42.8mm

CTBP92VD R

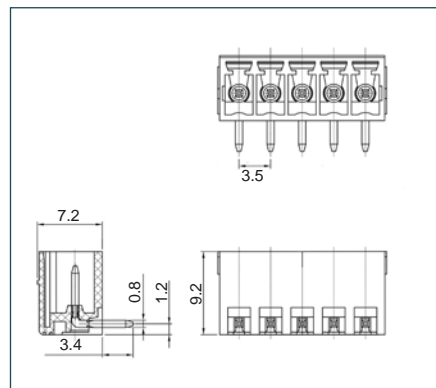




PCB mounting male horizontal connector (closed ended)

PART NO.	POLES	LENGTH
CTBP93HD/2	2	8.4mm
CTBP93HD/3	3	11.9mm
CTBP93HD/4	4	15.4mm
CTBP93HD/5	5	18.9mm
CTBP93HD/6	6	22.4mm
CTBP93HD/7	7	25.9mm
CTBP93HD/8	8	29.4mm
CTBP93HD/9	9	32.9mm
CTBP93HD/10	10	36.4mm
CTBP93HD/11	11	39.9mm
CTBP93HD/12	12	43.4mm

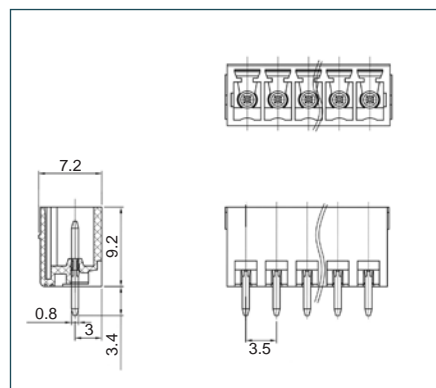
CTBP93HD



PCB mounting male vertical connector (closed ended)

PART NO.	POLES	LENGTH
CTBP93VD/2	2	8.4mm
CTBP93VD/3	3	11.9mm
CTBP93VD/4	4	15.4mm
CTBP93VD/5	5	18.9mm
CTBP93VD/6	6	22.4mm
CTBP93VD/7	7	25.9mm
CTBP93VD/8	8	29.4mm
CTBP93VD/9	9	32.9mm
CTBP93VD/10	10	36.4mm
CTBP93VD/11	11	39.9mm
CTBP93VD/12	12	43.4mm

CTBP93VD



ASSOCIATED PRODUCTS

CTB92HD, CTB92VD S and CTBP92VD R can be replaced with a screwless type terminal block for a reduced assembly time.

CSTBP92HD - page 77

002
PCB TERMINAL
BLOCKS081
TERMINAL STRIPS095
WIRE TO BOARD
CONNECTORS100
CIRCULAR
CONNECTORS151
IP68 CONNECTORS158
INTERFACE
MODULES AND
RELAY BASES

3.81mm pitch pluggable rising clamp terminal blocks

Product overview

- 2-12 pole solid block
- Professional rising clamp terminals
- Moulded in green UL94-V0 flame retardant PA66
- Cable acceptance - 0.32 to 1.3mm² (28-16AWG) solid and stranded cable
- Pluggable male and female connectors
- Closed headers
- Horizontal and vertical female plug styles
- Polarised mouldings
- Anti solder wicking
- Captive screws and guided pin alignment
- approved

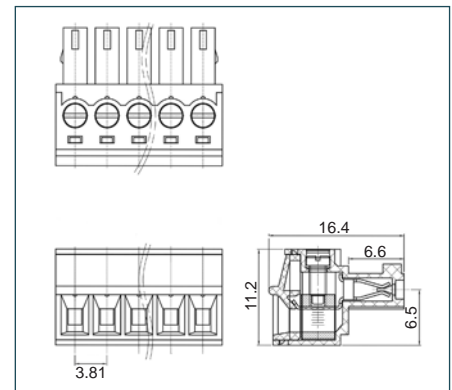
SPECIFICATION

Rating	UL=8A/300V, VDE=10A/250V
Insulation resistance	500M Ω /500V
Withstand voltage	AC2000V/1min
Contact resistance	20m Ω (max)
Working temperature	-40°C to +105°C
Moulding	UL94-V0 flame retardant PA66
Pin/terminal	Tin plated brass
Rising clamp	Brass, nickel plated
Screw/torque	M2 steel, zinc plated 0.2Nm
Recommended PCB hole size	ϕ 1.4mm

Female connector

PART NO.	POLES	LENGTH
CTBP92HE/2	2	8.4mm
CTBP92HE/3	3	12.2mm
CTBP92HE/4	4	16mm
CTBP92HE/5	5	19.8mm
CTBP92HE/6	6	23.7mm
CTBP92HE/7	7	27.5mm
CTBP92HE/8	8	31.3mm
CTBP92HE/9	9	35.1mm
CTBP92HD/10	10	38.9mm
CTBP92HE/11	11	42.7mm
CTBP92HE/12	12	46.5mm

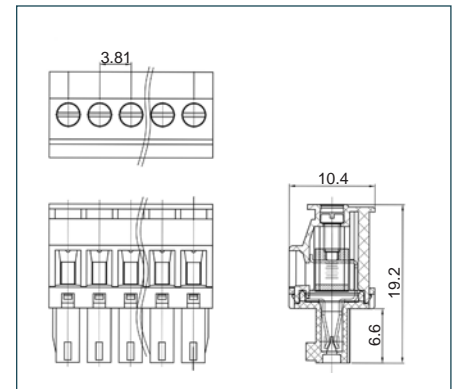
CTBP92HE



Female vertical connector (standard)

PART NO.	POLES	LENGTH
CTBP92VE/2S	2	8.4mm
CTBP92VE/3S	3	12.2mm
CTBP92VE/4S	4	16mm
CTBP92VE/5S	5	19.8mm
CTBP92VE/6S	6	23.7mm
CTBP92VE/7S	7	27.5mm
CTBP92VE/8S	8	31.3mm
CTBP92VE/9S	9	35.1mm
CTBP92VE/10S	10	38.9mm
CTBP92VE/11S	11	42.7mm
CTBP92VE/12S	12	46.5mm

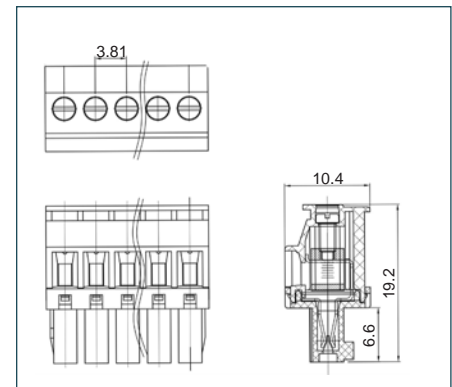
CTBP92VE S



Female vertical connector (reversed)

PART NO.	POLES	LENGTH
CTBP92VE/2R	2	8.4mm
CTBP92VE/3R	3	12.2mm
CTBP92VE/4R	4	16mm
CTBP92VE/5R	5	19.8mm
CTBP92VE/6R	6	23.7mm
CTBP92VE/7R	7	27.5mm
CTBP92VE/8R	8	31.3mm
CTBP92VE/9R	9	35.1mm
CTBP92VE/10R	10	38.9mm
CTBP92VE/11R	11	42.7mm
CTBP92VE/12R	12	46.5mm

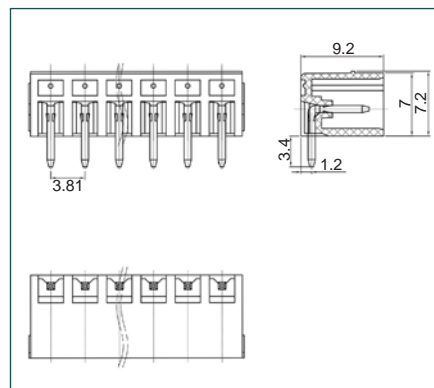
CTBP92VE R



PCB mounting male horizontal connector (closed ended)

PART NO.	POLES	LENGTH
CTBP93HE/2	2	8.4mm
CTBP93HE/3	3	12.2mm
CTBP93HE/4	4	16.0mm
CTBP93HE/5	5	19.8mm
CTBP93HE/6	6	23.7mm
CTBP93HE/7	7	27.5mm
CTBP93HE/8	8	31.3mm
CTBP93HE/9	9	35.1mm
CTBP93HE/10	10	38.9mm
CTBP93HE/11	11	42.7mm
CTBP93HE/12	12	46.5mm

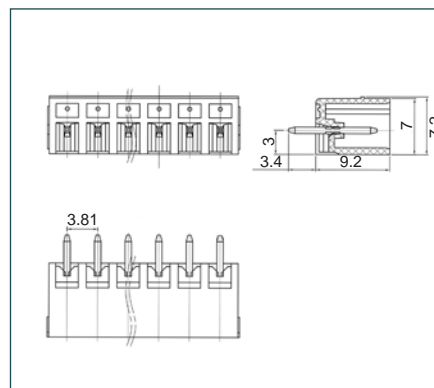
CTBP93HE



PCB mounting male vertical connector (closed ended)

PART NO.	POLES	LENGTH
CTBP93VE/2	2	8.4mm
CTBP93VE/3	3	12.2mm
CTBP93VE/4	4	16.0mm
CTBP93VE/5	5	19.8mm
CTBP93VE/6	6	23.7mm
CTBP93VE/7	7	27.5mm
CTBP93VE/8	8	31.3mm
CTBP93VE/9	9	35.1mm
CTBP93VE/10	10	38.9mm
CTBP93VE/11	11	42.7mm
CTBP93VE/12	12	46.5mm

CTBP93VE

081
TERMINAL STRIPS095
WIRE TO BOARD
CONNECTORS100
CIRCULAR
CONNECTORS151
IP68 CONNECTORS158
INTERFACE
MODULES AND
RELAY BASES

ASSOCIATED PRODUCTS

CTB92HE, CTB92VE S and CTBP92VE R can be replaced with a screwless type terminal block for a reduced assembly time.

CSTBP92HE - page 78



002

PCB TERMINAL
BLOCKS

081

TERMINAL STRIPS

095

WIRE TO BOARD
CONNECTORS

100

CIRCULAR
CONNECTORS

151

IP68 CONNECTORS

158

INTERFACE
MODULES AND
RELAY BASES

5mm pitch pluggable rising clamp terminal blocks

Product overview

- 2-12 pole solid block
- Professional rising clamp terminals
- Moulded in green UL94-V0 flame retardant PA66
- Cable acceptance - 0.32 to 1.6mm² (28-14AWG) solid and stranded cable
- Pluggable male and female connectors
- Open and closed headers
- Horizontal and vertical female plug styles
- Polarised mouldings
- Anti solder wicking
- Captive screws and guided pin alignment
- approved

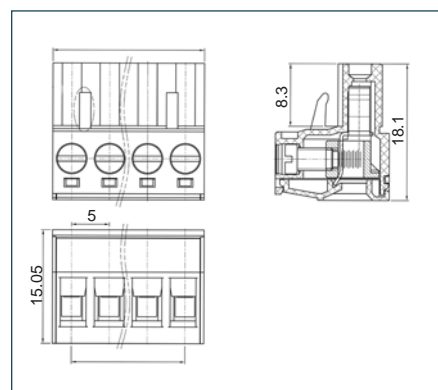
SPECIFICATION

Rating	UL=15A/300V, VDE=20A/450V
Insulation resistance	500M Ω /500V
Withstand voltage	AC2000V/1min
Contact resistance	20m Ω (max)
Working temperature	-40°C to +105°C
Moulding	UL94-V0 flame retardant PA66
Pin/terminal	Tin plated brass
Rising clamp	Brass, nickel plated
Screw/torque	M3 steel, zinc plated 0.5Nm
Recommended PCB hole size	ϕ 1.7mm

Female connector

PART NO.	POLES	LENGTH
CTBP9200/2	2	10mm
CTBP9200/3	3	15mm
CTBP9200/4	4	20mm
CTBP9200/5	5	25mm
CTBP9200/6	6	30mm
CTBP9200/7	7	35mm
CTBP9200/8	8	40mm
CTBP9200/9	9	45mm
CTBP9200/10	10	50mm
CTBP9200/11	11	55mm
CTBP9200/12	12	60mm

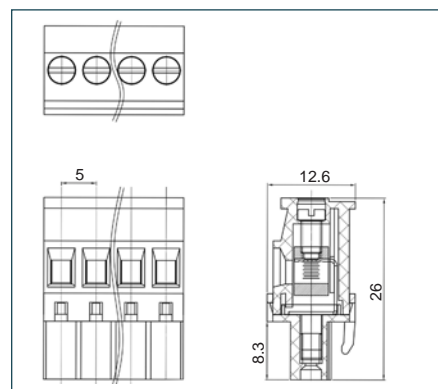
CTBP9200



Female vertical connector (standard)

PART NO.	POLES	LENGTH
CTBP92VG/2S	2	10mm
CTBP92VG/3S	3	15mm
CTBP92VG/4S	4	20mm
CTBP92VG/5S	5	25mm
CTBP92VG/6S	6	30mm
CTBP92VG/7S	7	35mm
CTBP92VG/8S	8	40mm
CTBP92VG/9S	9	45mm
CTBP92VG/10S	10	50mm
CTBP92VG/11S	11	55mm
CTBP92VG/12S	12	60mm

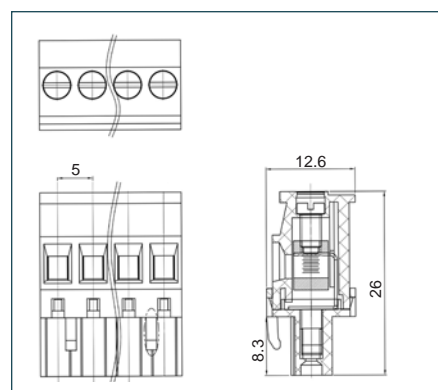
CTBP92VG S



Female connector (reversed)

PART NO.	POLES	LENGTH
CTBP92VG/2R	2	10mm
CTBP92VG/3R	3	15mm
CTBP92VG/4R	4	20mm
CTBP92VG/5R	5	25mm
CTBP92VG/6R	6	30mm
CTBP92VG/7R	7	35mm
CTBP92VG/8R	8	40mm
CTBP92VG/9R	9	45mm
CTBP92VG/10R	10	50mm
CTBP92VG/11R	11	55mm
CTBP92VG/12R	12	60mm

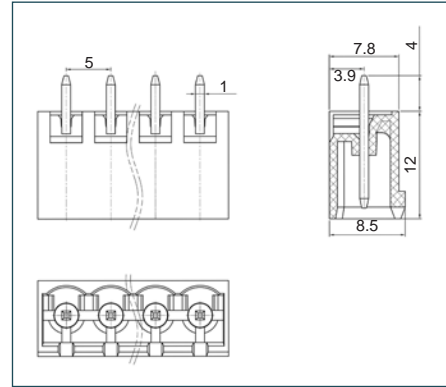
CTBP92VG R



PCB mounting male vertical connector (closed ended)

PART NO.	POLES	LENGTH
CTBP9300/2	2	11.4mm
CTBP9300/3	3	16.4mm
CTBP9300/4	4	21.4mm
CTBP9300/5	5	26.4mm
CTBP9300/6	6	31.4mm
CTBP9300/7	7	36.4mm
CTBP9300/8	8	41.4mm
CTBP9300/9	9	46.4mm
CTBP9300/10	10	51.4mm
CTBP9300/11	11	56.4mm
CTBP9300/12	12	61.4mm

CTBP9300



081

TERMINAL STRIPS

095

WIRE TO BOARD
CONNECTORS

100

CIRCULAR
CONNECTORS

151

IP68 CONNECTORS

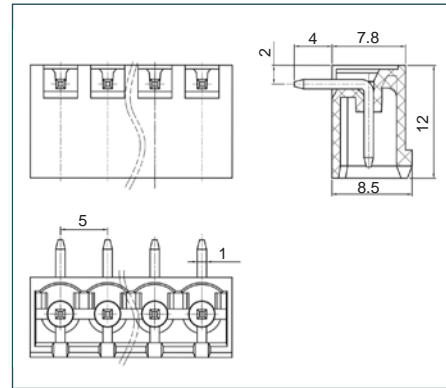
158

INTERFACE
MODULES AND
RELAY BASES

PCB mounting male horizontal connector (closed ended)

PART NO.	POLES	LENGTH
CTBP9350/2	2	11.4mm
CTBP9350/3	3	16.4mm
CTBP9350/4	4	21.4mm
CTBP9350/5	5	26.4mm
CTBP9350/6	6	31.4mm
CTBP9350/7	7	36.4mm
CTBP9350/8	8	41.4mm
CTBP9350/9	9	46.4mm
CTBP9350/10	10	51.4mm
CTBP9350/11	11	56.4mm
CTBP9350/12	12	61.4mm

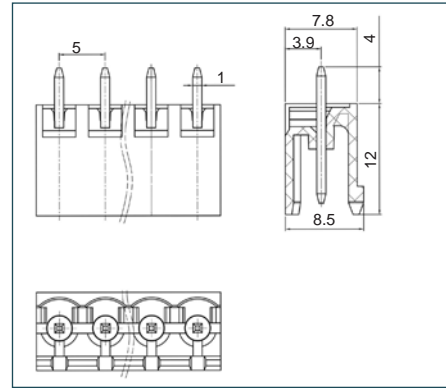
CTBP9350



PCB mounting male vertical connector (open ended)

PART NO.	POLES	LENGTH
CTBP9300/2AO	2	10mm
CTBP9300/3AO	3	15mm
CTBP9300/4AO	4	20mm
CTBP9300/5AO	5	25mm
CTBP9300/6AO	6	30mm
CTBP9300/7AO	7	35mm
CTBP9300/8AO	8	40mm
CTBP9300/9AO	9	45mm
CTBP9300/10AO	10	50mm
CTBP9300/11AO	11	55mm
CTBP9300/12AO	12	60mm

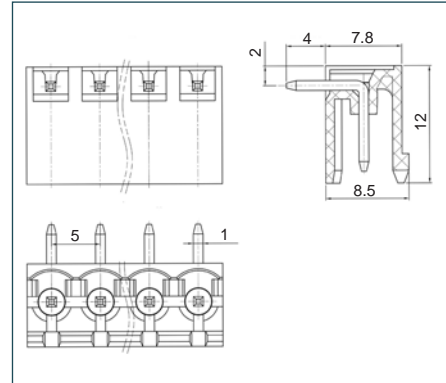
CTBP9300 AO



PCB mounting male horizontal connector (open ended)

PART NO.	POLES	LENGTH
CTBP9350/2AO	2	10mm
CTBP9350/3AO	3	15mm
CTBP9350/4AO	4	20mm
CTBP9350/5AO	5	25mm
CTBP9350/6AO	6	30mm
CTBP9350/7AO	7	35mm
CTBP9350/8AO	8	40mm
CTBP9350/9AO	9	45mm
CTBP9350/10AO	10	50mm
CTBP9350/11AO	11	55mm
CTBP9350/12AO	12	60mm

CTBP9350 AO





002

PCB TERMINAL
BLOCKS

081

TERMINAL STRIPS

095

WIRE TO BOARD
CONNECTORS

100

CIRCULAR
CONNECTORS

151

IP68 CONNECTORS

158

INTERFACE
MODULES AND
RELAY BASES

5mm pitch pluggable rising clamp terminal blocks with screw flanges

Product overview

- 2-12 pole solid block
- Professional rising clamp terminals
- Moulded in green UL94-V0 flame retardant PA66
- Cable acceptance - 0.8 to 2mm² (28-14AWG) solid and stranded cable
- Pluggable male and female connectors
- Screw flanges
- Horizontal female plug styles
- Polarised mouldings
- Anti solder wicking
- Captive screws and guided pin alignment
- approved

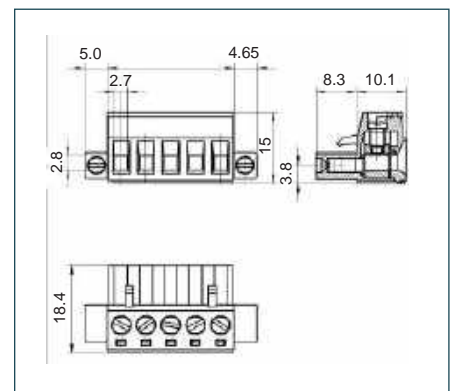
SPECIFICATION

Rating	20A/450V UL=15A/300V, VDE and IMQ=20A/450V
Dielectric strength	0.5kV
Impulse withstand voltage	2kV
Working temperature	-40°C to 105°C
Moulding	UL94-V0 flame retardant PA66
Pin/terminal	Copper alloy, NI and SN
Rising clamp	Copper alloy, NI and SN
Screw/torque	M3 steel zinc plated, 0.5Nm
Recommended PCB hole size	ø1.7mm

Female connector

PART NO.	POLES	LENGTH
CTBP9200/2FL	2	20mm
CTBP9200/3FL	3	25mm
CTBP9200/4FL	4	30mm
CTBP9200/5FL	5	35mm
CTBP9200/6FL	6	40mm
CTBP9200/7FL	7	45mm
CTBP9200/8FL	8	50mm
CTBP9200/9FL	9	55mm
CTBP9200/10FL	10	60mm
CTBP9200/11FL	11	65mm
CTBP9200/12FL	12	70mm

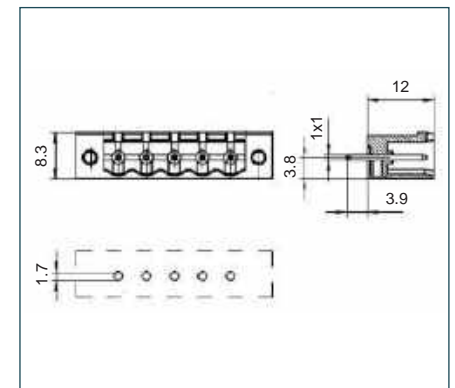
CTBP9200 FL



PCB mounting male vertical connector

PART NO.	POLES	LENGTH
CTBP9300/2FL	2	20mm
CTBP9300/3FL	3	25mm
CTBP9300/4FL	4	30mm
CTBP9300/5FL	5	35mm
CTBP9300/6FL	6	40mm
CTBP9300/7FL	7	45mm
CTBP9300/8FL	8	50mm
CTBP9300/9FL	9	55mm
CTBP9300/10FL	10	60mm
CTBP9300/11FL	11	65mm
CTBP9300/12FL	12	70mm

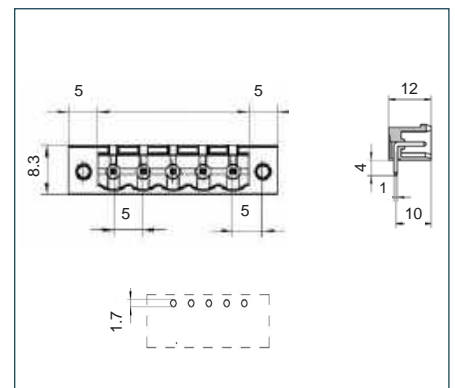
CTBP9300 FL



PCB mounting male horizontal connector

PART NO.	POLES	LENGTH
CTBP9350/2FL	2	20mm
CTBP9350/3FL	3	25mm
CTBP9350/4FL	4	30mm
CTBP9350/5FL	5	35mm
CTBP9350/6FL	6	40mm
CTBP9350/7FL	7	45mm
CTBP9350/8FL	8	50mm
CTBP9350/9FL	9	55mm
CTBP9350/10FL	10	60mm
CTBP9350/11FL	11	65mm
CTBP9350/12FL	12	70mm


CTBP9350 FL



002
PCB TERMINAL
BLOCKS081
TERMINAL STRIPS095
WIRE TO BOARD
CONNECTORS100
CIRCULAR
CONNECTORS151
IP68 CONNECTORS158
INTERFACE
MODULES AND
RELAY BASES

5mm DIN rail mounted inverted/ reverse terminal blocks

Product overview

- Horizontal orientations
- Polarized moldings
- Can be reversed on DIN clips
- Also available in 5.08mm pitch
- Molded in green UL94-V0 flame retardant PA 66
- 2.5mm² (28-14AWG)
-  approved
- 6-12 poles standard (13-24 also available)

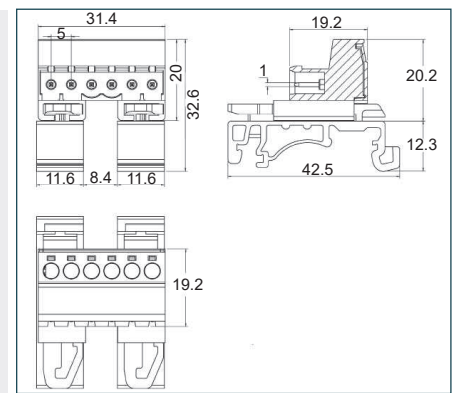
SPECIFICATION

Rating	UL=15A/300V IEC 20A/450V
Insulation resistance	500MΩ/500V
Withstand Voltage	AC2000V/1min
Contact Resistance	20mΩ (max)
Working Temperature	-40°C to 105+°C
Mouldings	UL94-V0 Flame retardant PA66
Pin/Terminal	Brass, Tin plated
Rising Clamp	Brass, nickel plated
Screw/Torque	M3 Steel, zinc plated 0.5Nm

DIN rail mounting male horizontal

PART NO.	POLES	LENGTH
CTBPD96HG/6	6	31.4mm
CTBPD96HG/7	7	36.4mm
CTBPD96HG/8	8	41.4mm
CTBPD96HG/9	9	46.4mm
CTBPD96HG/10	10	51.4mm
CTBPD96HG/11	11	56.4mm
CTBPD96HG/12	12	61.4mm

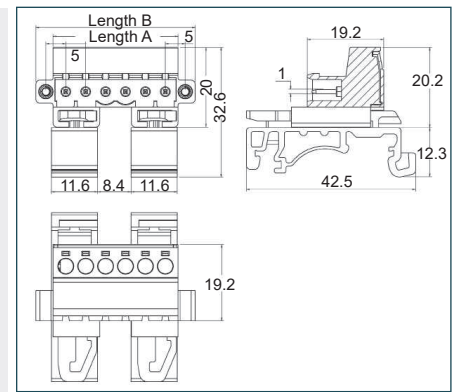
CTBPD96HG



DIN rail mounting male horizontal flanged

PART NO.	POLES	LENGTH A	LENGTH B
CTBPD96HG/6FL	6	31.4mm	40.0mm
CTBPD96HG/7FL	7	36.4mm	45.0mm
CTBPD96HG/8FL	8	41.4mm	50.0mm
CTBPD96HG/9FL	9	46.4mm	55.0mm
CTBPD96HG/10FL	10	51.4mm	60.0mm
CTBPD96HG/11FL	11	56.4mm	65.0mm
CTBPD96HG/12FL	12	61.4mm	70.0mm

CTBPD96HG/FL





5.08mm pitch pluggable rising clamp terminal blocks

Product overview

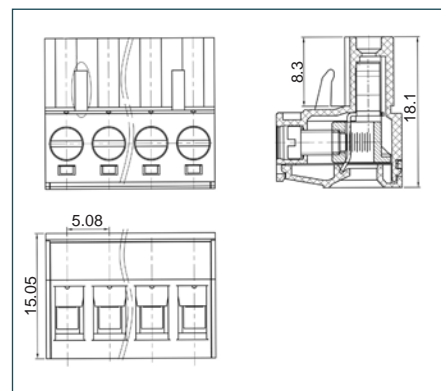
- 2-24 pole solid block
- Professional rising clamp terminals
- Moulded in green UL94-V0 flame retardant PA66
- Cable acceptance - 0.32 to 1.6mm² (28-14AWG) solid and stranded cable
- Pluggable male and female connectors
- Open and closed headers
- Horizontal and vertical female plug styles
- Polarised mouldings
- Anti solder wicking
- Captive screws and guided pin alignment
- approved

SPECIFICATION

Rating	UL=15A/300V, VDE=20A/450V
Insulation resistance	500M Ω/500V
Withstand voltage	AC2000V/1min
Contact resistance	20mΩ (max)
Working temperature	-40°C to +105°C
Mouldings	UL94-V0 flame retardant PA66
Pin/terminal	Tin plated brass
Rising clamp	Brass, nickel plated
Screw/torque	M3 steel, zinc plated 0.5Nm
Recommended PCB hole size	ø1.7mm

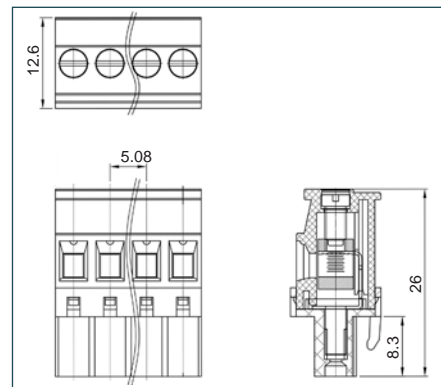
Female connector

PART NO.	POLES	LENGTH
CTBP9208/2	2	10.2mm
CTBP9208/3	3	15.2mm
CTBP9208/4	4	20.3mm
CTBP9208/5	5	25.4mm
CTBP9208/6	6	30.5mm
CTBP9208/7	7	35.6mm
CTBP9208/8	8	40.6mm
CTBP9208/9	9	45.7mm
CTBP9208/10	10	50.8mm
CTBP9208/11	11	55.9mm
CTBP9208/12	12	61mm

CTBP9208

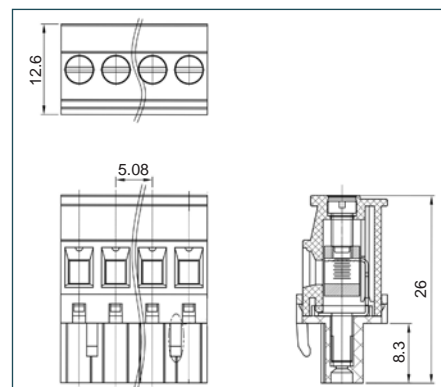
Female vertical connector (standard)

PART NO.	POLES	LENGTH
CTBP92VJ/2S	2	10.2mm
CTBP92VJ/3S	3	15.2mm
CTBP92VJ/4S	4	20.3mm
CTBP92VJ/5S	5	25.4mm
CTBP92VJ/6S	6	30.5mm
CTBP92VJ/7S	7	35.6mm
CTBP92VJ/8S	8	40.6mm
CTBP92VJ/9S	9	45.7mm
CTBP92VJ/10S	10	50.8mm
CTBP92VJ/11S	11	55.9mm
CTBP92VJ/12S	12	61mm

CTBP92VJ S

Female vertical connector (reversed)

PART NO.	POLES	LENGTH
CTBP92VJ/2R	2	10.2mm
CTBP92VJ/3R	3	15.2mm
CTBP92VJ/4R	4	20.3mm
CTBP92VJ/5R	5	25.4mm
CTBP92VJ/6R	6	30.5mm
CTBP92VJ/7R	7	35.6mm
CTBP92VJ/8R	8	40.6mm
CTBP92VJ/9R	9	45.7mm
CTBP92VJ/10R	10	50.8mm
CTBP92VJ/11R	11	55.9mm
CTBP92VJ/12R	12	61mm

CTBP92VJ R



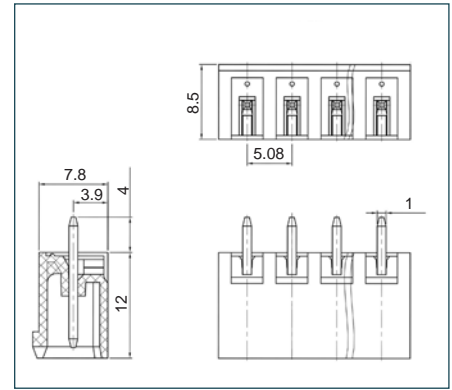
002

PCB TERMINAL
BLOCKS

PCB mounting male vertical connector (closed ended)

PART NO.	POLES	LENGTH
CTBP9308/2	2	11.6mm
CTBP9308/3	3	16.6mm
CTBP9308/4	4	21.7mm
CTBP9308/5	5	26.8mm
CTBP9308/6	6	31.9mm
CTBP9308/7	7	37.0mm
CTBP9308/8	8	42.0mm
CTBP9308/9	9	47.1mm
CTBP9308/10	10	52.2mm
CTBP9308/11	11	57.3mm
CTBP9308/12	12	62.4mm

CTBP9308



081

TERMINAL STRIPS

095

WIRE TO BOARD
CONNECTORS

100

CIRCULAR
CONNECTORS

151

IP68 CONNECTORS

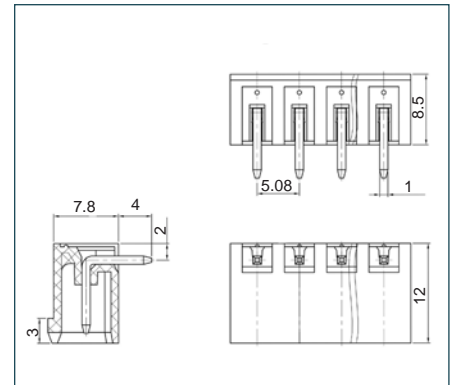
158

INTERFACE
MODULES AND
RELAY BASES

PCB mounting male horizontal connector (closed ended)

PART NO.	POLES	LENGTH
CTBP9358/2	2	11.6mm
CTBP9358/3	3	16.6mm
CTBP9358/4	4	21.7mm
CTBP9358/5	5	26.8mm
CTBP9358/6	6	31.9mm
CTBP9358/7	7	37.0mm
CTBP9358/8	8	42.0mm
CTBP9358/9	9	47.1mm
CTBP9358/10	10	52.2mm
CTBP9358/11	11	57.3mm
CTBP9358/12	12	62.4mm

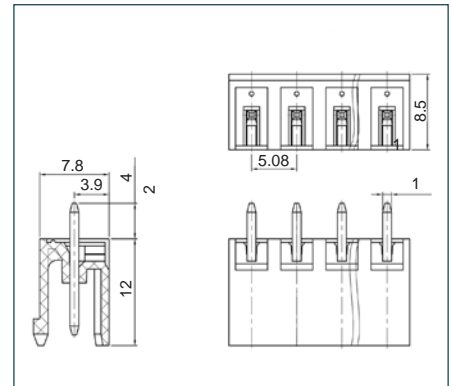
CTBP9358



PCB mounting male vertical connector (open ended)

PART NO.	POLES	LENGTH
CTBP9308/2AO	2	10.2mm
CTBP9308/3AO	3	15.2mm
CTBP9308/4AO	4	20.3mm
CTBP9308/5AO	5	25.4mm
CTBP9308/6AO	6	30.5mm
CTBP9308/7AO	7	35.6mm
CTBP9308/8AO	8	40.6mm
CTBP9308/9AO	9	45.7mm
CTBP9308/10AO	10	50.8mm
CTBP9308/11AO	11	55.9mm
CTBP9308/12AO	12	61mm

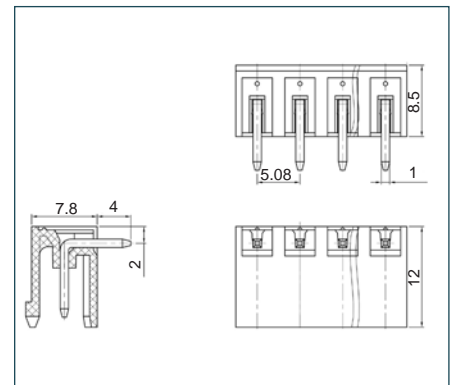
CTBP9308 AO



PCB mounting male horizontal connector (open ended)



PART NO.	POLES	LENGTH
CTBP9358/2AO	2	10.2mm
CTBP9358/3AO	3	15.2mm
CTBP9358/4AO	4	20.3mm
CTBP9358/5AO	5	25.4mm
CTBP9358/6AO	6	30.5mm
CTBP9358/7AO	7	35.6mm
CTBP9358/8AO	8	40.6mm
CTBP9358/9AO	9	45.7mm
CTBP9358/10AO	10	50.8mm
CTBP9358/11AO	11	55.9mm
CTBP9358/12AO	12	61mm

CTBP9358 AO



5.08mm pitch pluggable rising clamp terminal blocks with screw flanges

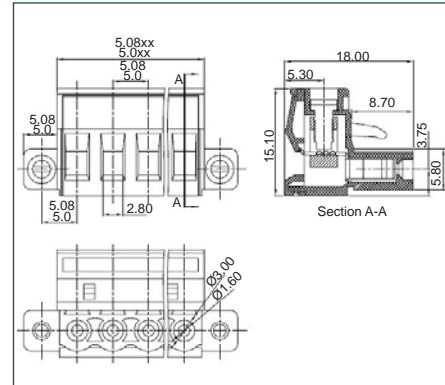
Product overview

- 2-12 pole solid block
- Professional rising clamp terminals
- Moulded in green UL94-V0 flame retardant PA66
- Cable acceptance - 0.8 to 2mm² (28-14AWG) solid and stranded cable
- Pluggable male and female connectors
- Screw flanges
- Horizontal female plug styles
- Polarised mouldings
- Anti solder wicking
- Captive screws and guided pin alignment
-   approved

SPECIFICATION	
Rating	20A/450V UL=15A/300V, VDE and IMQ=20A/450V
Dielectric strength	0.5kV
Impulse withstand voltage	2kV
Working temperature	-40°C to 105°C
Moulding	UL94-V0 flame retardant PA66
Pin/terminal	Copper alloy, NI and SN
Rising clamp	Copper alloy, NI and SN
Screw/torque	M3 steel zinc plated, 0.5Nm
Recommended PCB hole size	ø1.7mm

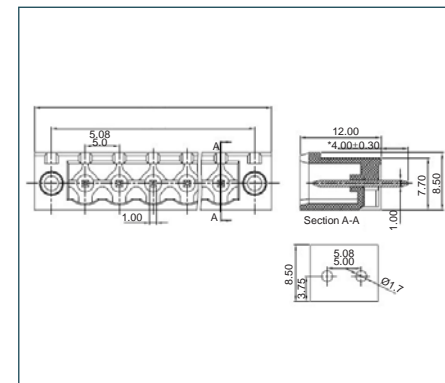
Female connector

PART NO.	POLES	LENGTH
CTBP9208/2FL	2	20.3mm
CTBP9208/3FL	3	25.4mm
CTBP9208/4FL	4	30.5mm
CTBP9208/5FL	5	35.6mm
CTBP9208/6FL	6	40.7mm
CTBP9208/7FL	7	45.7mm
CTBP9208/8FL	8	50.8mm
CTBP9208/9FL	9	55.9mm
CTBP9208/10FL	10	60.0mm
CTBP9208/11FL	11	66.1mm
CTBP9208/12FL	12	71.1mm



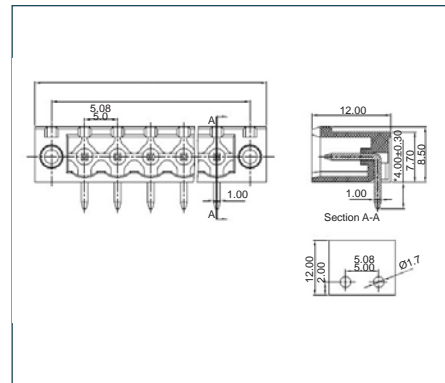
Female vertical connector (standard)

PART NO.	POLES	LENGTH
CTBP9308/2FL	2	20.3mm
CTBP9308/3FL	3	25.4mm
CTBP9308/4FL	4	30.5mm
CTBP9308/5FL	5	35.6mm
CTBP9308/6FL	6	40.7mm
CTBP9308/7FL	7	45.7mm
CTBP9308/8FL	8	50.8mm
CTBP9308/9FL	9	55.9mm
CTBP9308/10FL	10	61.0mm
CTBP9308/11FL	11	66.1mm
CTBP9308/12FL	12	71.1mm



Female vertical connector (reversed)

PART NO.	POLES	LENGTH
CTBP9358/2FL	2	20.3mm
CTBP9358/3FL	3	25.4mm
CTBP9358/4FL	4	30.5mm
CTBP9358/5FL	5	35.6mm
CTBP9358/6FL	6	40.7mm
CTBP9358/7FL	7	45.7mm
CTBP9358/8FL	8	50.8mm
CTBP9358/9FL	9	55.9mm
CTBP9358/10FL	10	61.0mm
CTBP9358/11FL	11	66.1mm
CTBP9358/12FL	12	71.1mm



002
PCB TERMINAL
BLOCKS081
TERMINAL STRIPS095
WIRE TO BOARD
CONNECTORS100
CIRCULAR
CONNECTORS151
IP68 CONNECTORS158
INTERFACE
MODULES AND
RELAY BASES

5.08mm DIN rail mounted inverted/reverse terminal blocks

Product overview

- Horizontal orientations
- Polarized moldings
- Can be reversed on DIN clips
- Also available in 5.08mm pitch
- Molded in green UL94-V0 flame retardant PA 66
- 2.5mm² (28-14AWG)
- approved
- 6-12 poles standard (13-24 also available)

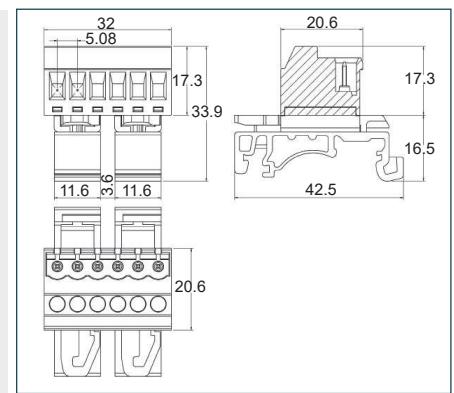
SPECIFICATION

Rating	UL=15A/300V IEC 20A/450V
Insulation resistance	500MΩ/500V
Withstand Voltage	AC2000V/1min
Contact Resistance	20mΩ (max)
Working Temperature	-40°C to 105+°C
Mouldings	UL94-V0 Flame retardant PA66
Pin/Terminal	Brass, Tin plated
Rising Clamp	Brass, nickel plated
Screw/Torque	M3 Steel, zinc plated 0.5Nm

DIN rail mounting male vertical

PART NO.	POLES	LENGTH
CTBPD96VJ/6	6	32.0mm
CTBPD96VJ/7	7	37.1mm
CTBPD96VJ/8	8	42.2mm
CTBPD96VJ/9	9	47.2mm
CTBPD96VJ/10	10	52.3mm
CTBPD96VJ/11	11	57.4mm
CTBPD96VJ/12	12	62.5mm

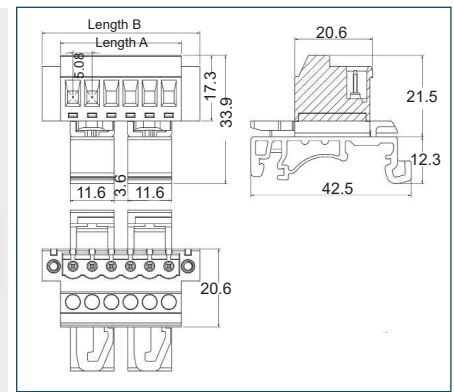
CTBPD96VJ



DIN rail mounting male vertical flanged

PART NO.	POLES	LENGTH A	LENGTH B
CTBPD96VJ/6FL	6	32.0mm	41.8mm
CTBPD96VJ/7FL	7	37.1mm	46.9mm
CTBPD96VJ/8FL	8	42.2mm	52.0mm
CTBPD96VJ/9FL	9	47.2mm	57.0mm
CTBPD96VJ/10FL	10	52.3mm	62.1mm
CTBPD96VJ/11FL	11	57.4mm	67.2mm
CTBPD96VJ/12FL	12	62.5mm	72.3mm

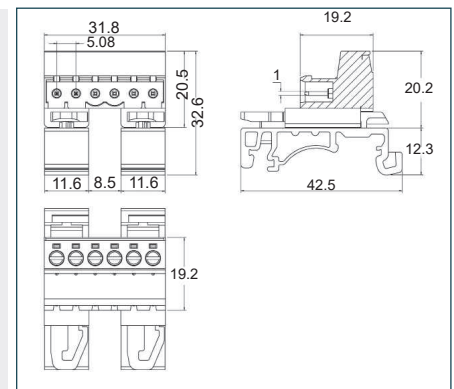
CTBPD96VJ/FL



DIN rail mounting male horizontal

PART NO.	POLES	LENGTH
CTBPD96HJ/6	6	32.0mm
CTBPD96HJ/7	7	37.1mm
CTBPD96HJ/8	8	42.2mm
CTBPD96HJ/9	9	47.2mm
CTBPD96HJ/10	10	52.3mm
CTBPD96HJ/11	11	57.4mm
CTBPD96HJ/12	12	62.5mm

CTBPD96HJ

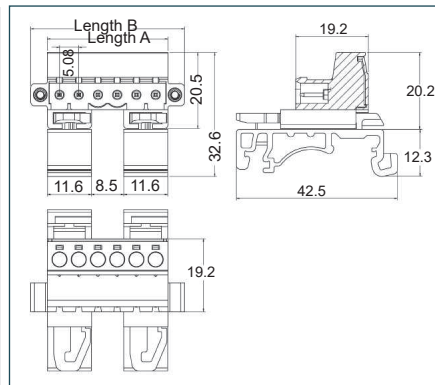




DIN rail mounting male horizontal flanged

PART NO.	POLES	LENGTH A	LENGTH B
CTBPD96HJ/6FL	6	32.0mm	41.8mm
CTBPD96HJ/7FL	7	37.1mm	46.9mm
CTBPD96HJ/8FL	8	42.2mm	52.0mm
CTBPD96HJ/9FL	9	47.2mm	57.0mm
CTBPD96HJ/10FL	10	52.3mm	62.1mm
CTBPD96HJ/11FL	11	57.4mm	67.2mm
CTBPD96HJ/12FL	12	62.5mm	72.3mm

CTBPD96HJ/FL



002
PCB TERMINAL
BLOCKS081
TERMINAL STRIPS095
WIRE TO BOARD
CONNECTORS100
CIRCULAR
CONNECTORS151
IP68 CONNECTORS158
INTERFACE
MODULES AND
RELAY BASES

7.5mm pitch pluggable rising clamp terminal blocks

Product overview

- 2-12 pole solid block
- Professional rising clamp terminals
- Moulded in green UL94-V0 flame retardant PA66
- Cable acceptance - 0.32 to 1.6mm² (28-14AWG) solid and stranded cable
- Pluggable male and female connectors
- Open and closed headers
- Horizontal female plug style
- Polarised mouldings
- Anti solder wicking
- Captive screws and guided pin alignment
- approved

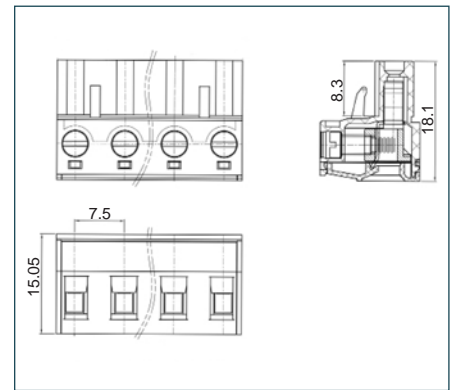
SPECIFICATION

Rating	UL=15A/300V, VDE=20A/450V
Insulation resistance	500M Ω/500V
Withstand voltage	AC2000V/1min
Contact resistance	20mΩ (max)
Working temperature	-40°C to +105°C
Moulding	UL94-V0 flame retardant PA66
Pin/terminal	Tin plated brass
Rising clamp	Brass, nickel plated
Screw/torque	M3 steel, zinc plated 0.5Nm
Recommended PCB hole size	ø1.7mm

Female connector

PART NO.	POLES	LENGTH
CTBP9400/2	2	13mm
CTBP9400/3	3	20.5mm
CTBP9400/4	4	28mm
CTBP9400/5	5	35.5mm
CTBP9400/6	6	43mm
CTBP9400/7	7	50.5mm
CTBP9400/8	8	58mm
CTBP9400/9	9	65.5mm
CTBP9400/10	10	73mm
CTBP9400/11	11	80.5mm
CTBP9400/12	12	88mm

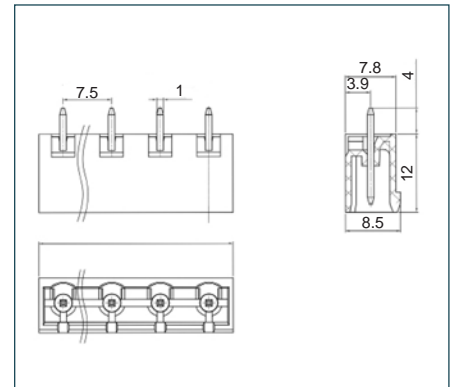
CTBP9400



PCB mounting male vertical connector (closed ended)

PART NO.	POLES	LENGTH
CTBP9500/2	2	15mm
CTBP9500/3	3	22.5mm
CTBP9500/4	4	30mm
CTBP9500/5	5	37.5mm
CTBP9500/6	6	45mm
CTBP9500/7	7	52.5mm
CTBP9500/8	8	60mm
CTBP9500/9	9	67.5mm
CTBP9500/10	10	75mm
CTBP9500/11	11	82.5mm
CTBP9500/12	12	90mm

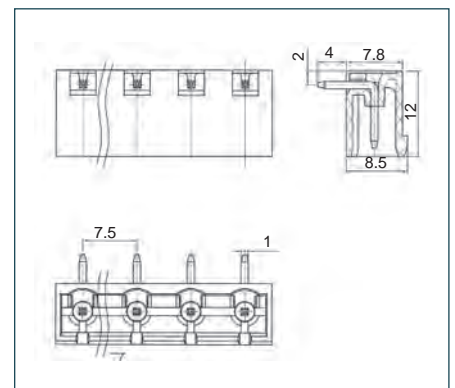
CTBP9500



PCB mounting male horizontal connector (closed ended)

PART NO.	POLES	LENGTH
CTBP9550/2	2	15mm
CTBP9550/3	3	22.5mm
CTBP9550/4	4	30mm
CTBP9550/5	5	37.5mm
CTBP9550/6	6	45mm
CTBP9550/7	7	52.5mm
CTBP9550/8	8	60mm
CTBP9550/9	9	67.5mm
CTBP9550/10	10	75mm
CTBP9550/11	11	82.5mm
CTBP9550/12	12	90mm

CTBP9550





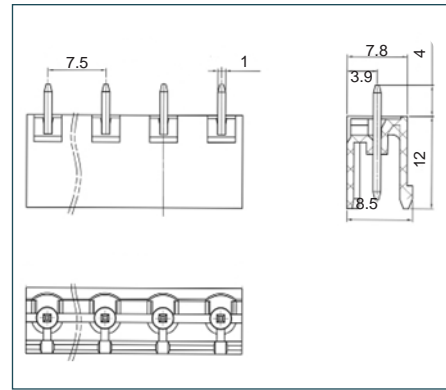
002

PCB TERMINAL
BLOCKS

PCB mounting male vertical connector (open ended)

PART NO.	POLES	LENGTH
CTBP9500/2AO	2	13mm
CTBP9500/3AO	3	20.5mm
CTBP9500/4AO	4	28mm
CTBP9500/5AO	5	35.5mm
CTBP9500/6AO	6	43mm
CTBP9500/7AO	7	50.5mm
CTBP9500/8AO	8	58mm
CTBP9500/9AO	9	65.5mm
CTBP9500/10AO	10	73mm
CTBP9500/11AO	11	80.5mm
CTBP9500/12AO	12	88mm

CTBP9500 AO



081

TERMINAL STRIPS

095

WIRE TO BOARD
CONNECTORS

100

CIRCULAR
CONNECTORS

151

IP68 CONNECTORS

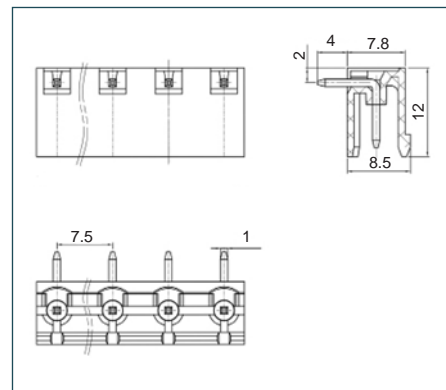
158

INTERFACE
MODULES AND
RELAY BASES

PCB mounting male horizontal connector (open ended)

PART NO.	POLES	LENGTH
CTBP9550/2AO	2	13mm
CTBP9550/3AO	3	20.5mm
CTBP9550/4AO	4	28mm
CTBP9550/5AO	5	35.5mm
CTBP9550/6AO	6	43mm
CTBP9550/7AO	7	50.5mm
CTBP9550/8AO	8	58mm
CTBP9550/9AO	9	65.5mm
CTBP9550/10AO	10	73mm
CTBP9550/11AO	11	80.5mm
CTBP9550/12AO	12	88mm

CTBP9550 AO





002

PCB TERMINAL
BLOCKS

081

TERMINAL STRIPS

095

WIRE TO BOARD
CONNECTORS

100

CIRCULAR
CONNECTORS

151

IP68 CONNECTORS

158

INTERFACE
MODULES AND
RELAY BASES

7.62mm pitch pluggable rising clamp terminal blocks

Product overview

- 2-12 pole solid block
- Professional rising clamp terminals
- Moulded in green UL94-V0 flame retardant PA66
- Cable acceptance - 0.32 to 1.6mm² (28-14AWG) solid and stranded cable
- Pluggable male and female connectors
- Open and closed headers
- Horizontal female plug style
- Polarised mouldings
- Anti solder wicking
- Captive screws and guided pin alignment
- approved

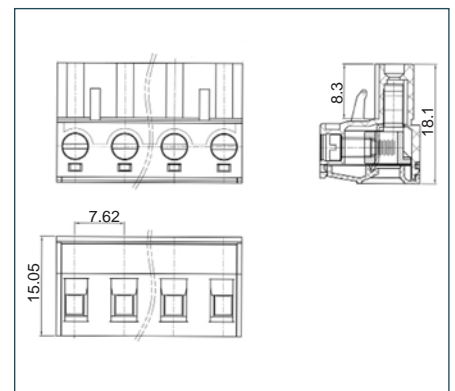
SPECIFICATION

Rating	UL=15A/300V, VDE=20A/450V
Insulation resistance	500M Ω /500V
Withstand voltage	AC2000V/1min
Contact resistance	20m Ω (max)
Working temperature	-40°C to +105°C
Moulding	UL94-V0 flame retardant PA66
Pin/terminal	Tin plated brass
Rising clamp	Brass, nickel plated
Screw/torque	M3 steel, zinc plated 0.5Nm
Recommended PCB hole size	ϕ 1.7mm

Female connector

PART NO.	POLES	LENGTH
CTBP9408/2	2	13.2mm
CTBP9408/3	3	20.9mm
CTBP9408/4	4	28.5mm
CTBP9408/5	5	36.1mm
CTBP9408/6	6	43.7mm
CTBP9408/7	7	51.3mm
CTBP9408/8	8	59mm
CTBP9408/9	9	66.6mm
CTBP9408/10	10	74.2mm
CTBP9408/11	11	81.8mm
CTBP9408/12	12	89.4mm

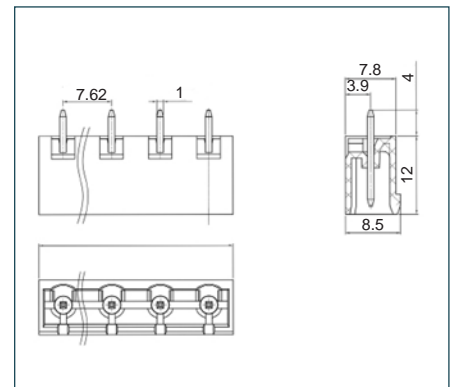
CTBP9408



PCB mounting male vertical connector (closed ended)

PART NO.	POLES	LENGTH
CTBP9508/2	2	15.2mm
CTBP9508/3	3	22.8mm
CTBP9508/4	4	30.4mm
CTBP9508/5	5	38.1mm
CTBP9508/6	6	45.7mm
CTBP9508/7	7	53.3mm
CTBP9508/8	8	60.9mm
CTBP9508/9	9	68.6mm
CTBP9508/10	10	76.2mm
CTBP9508/11	11	83.8mm
CTBP9508/12	12	91.4mm

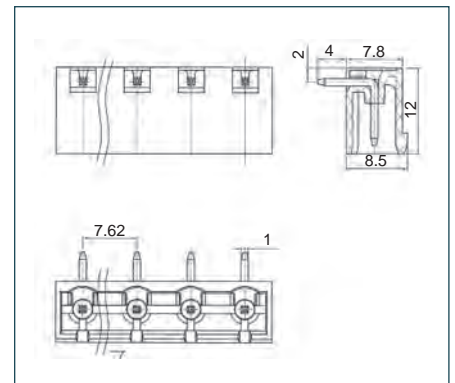
CTBP9508



PCB mounting male horizontal connector (closed ended)

PART NO.	POLES	LENGTH
CTBP9558/2	2	15.2mm
CTBP9558/3	3	22.8mm
CTBP9558/4	4	30.4mm
CTBP9558/5	5	38.1mm
CTBP9558/6	6	45.7mm
CTBP9558/7	7	53.3mm
CTBP9558/8	8	60.2mm
CTBP9558/9	9	68.5mm
CTBP9558/10	10	76.2mm
CTBP9558/11	11	83.8mm
CTBP9558/12	12	91.4mm

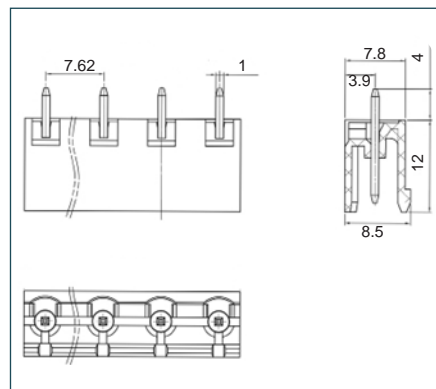
CTBP9558



PCB mounting male vertical connector (open ended)

PART NO.	POLES	LENGTH
CTBP9508/2AO	2	13.2mm
CTBP9508/3AO	3	20.9mm
CTBP9508/4AO	4	28.5mm
CTBP9508/5AO	5	36.1mm
CTBP9508/6AO	6	43.7mm
CTBP9508/7AO	7	51.3mm
CTBP9508/8AO	8	59mm
CTBP9508/9AO	9	66.6mm
CTBP9508/10AO	10	74.2mm
CTBP9508/11AO	11	81.8mm
CTBP9508/12AO	12	89.4mm

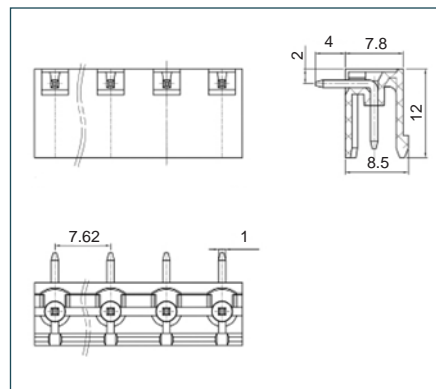
CTBP9508 AO



PCB mounting male horizontal connector (open ended)

PART NO.	POLES	LENGTH
CTBP9558/2AO	2	13.2mm
CTBP9558/3AO	3	20.9mm
CTBP9558/4AO	4	28.5mm
CTBP9558/5AO	5	36.1mm
CTBP9558/6AO	6	43.7mm
CTBP9558/7AO	7	51.3mm
CTBP9558/8AO	8	59mm
CTBP9558/9AO	9	66.6mm
CTBP9558/10AO	10	74.2mm
CTBP9558/11AO	11	81.8mm
CTBP9558/12AO	12	89.4mm

CTBP9558 AO



081

TERMINAL STRIPS

095

WIRE TO BOARD
CONNECTORS

100

CIRCULAR
CONNECTORS

151

IP68 CONNECTORS

158


INTERFACE
MODULES AND
RELAY BASES

002
PCB TERMINAL
BLOCKS081
TERMINAL STRIPS095
WIRE TO BOARD
CONNECTORS100
CIRCULAR
CONNECTORS151
IP68 CONNECTORS158
INTERFACE
MODULES AND
RELAY BASES

CONNECT

5.08mm inverted/reverse terminal blocks

Product overview

- 2-12 pole solid block
- Professional rising clamp terminals
- Moulded in green UL94-V0 flame retardant PA 66
- Cable acceptance - 0.32 to 1.6mm² (28-14AWG)
- Horizontal and vertical orientations
- Pluggable male and female connectors
- Polarized moulding
- Dual row pins for extra stability
- Also available in 5mm pitch
-  approved

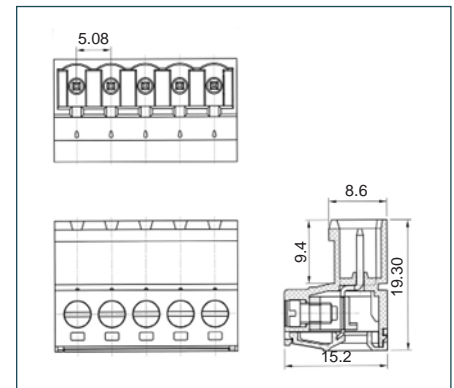
SPECIFICATION

Rating	UL=15A/300V
Insulation resistance	500M Ω/500V
Withstand voltage	AC2000V/1min
Contact resistance	20mΩ (max)
Working temperature	-40°C to +105°C
Moulding	UL94-V0 flame retardant PA66
Pin/terminal	Tin plated brass
Rising clamp	Brass, nickel plated
Screw/torque	M3 steel, zinc plated 0.5Nm
Recommended PCB hole size	ø1.4mm

Male connector

PART NO.	POLES	LENGTH
CTBP96HJ/2	2	11.8mm
CTBP96HJ/3	3	16.8mm
CTBP96HJ/4	4	21.9mm
CTBP96HJ/5	5	27.0mm
CTBP96HJ/6	6	32.1mm
CTBP96HJ/7	7	37.2mm
CTBP96HJ/8	8	42.2mm
CTBP96HJ/9	9	47.3mm
CTBP96HJ/10	10	52.4mm
CTBP96HJ/11	11	57.5mm
CTBP96HJ/12	12	62.6mm

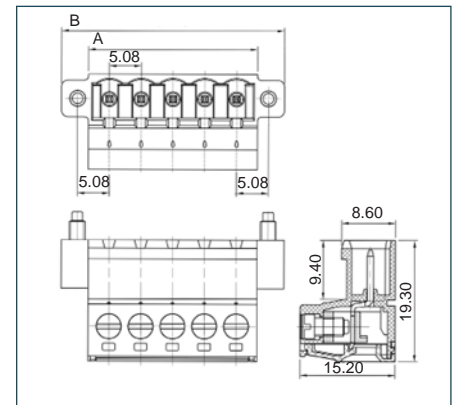
CTBP96HJ



Male connector (flanged)

PART NO.	POLES	LENGTH A	LENGTH B
CTBP96HJ/2FL	2	11.8mm	20.3mm
CTBP96HJ/3FL	3	16.8mm	25.4mm
CTBP96HJ/4FL	4	21.9mm	30.5mm
CTBP96HJ/5FL	5	27mm	35.6mm
CTBP96HJ/6FL	6	32.1mm	40.7mm
CTBP96HJ/7FL	7	37.2mm	45.7mm
CTBP96HJ/8FL	8	42.2mm	50.8mm
CTBP96HJ/9FL	9	47.3mm	55.9mm
CTBP96HJ/10FL	10	52.4mm	61.0mm
CTBP96HJ/11FL	11	57.5mm	66.1mm
CTBP96HJ/12FL	12	62.6mm	71.1mm

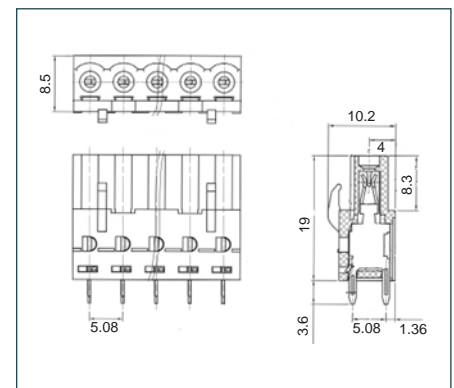
CTBP96HJ FL



PCB mounted female vertical connector

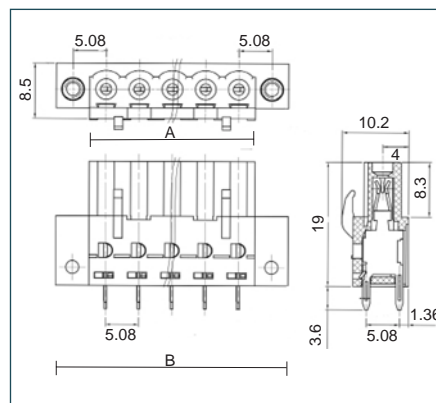
PART NO.	POLES	LENGTH
CTBP97VJ/2	2	12.2mm
CTBP97VJ/3	3	17.2mm
CTBP97VJ/4	4	22.3mm
CTBP97VJ/5	5	27.4mm
CTBP97VJ/6	6	32.5mm
CTBP97VJ/7	7	37.6mm
CTBP97VJ/8	8	42.6mm
CTBP97VJ/9	9	47.7mm
CTBP97VJ/10	10	52.8mm
CTBP97VJ/11	11	57.9mm
CTBP97VJ/12	12	63.0mm

CTBP97VJ



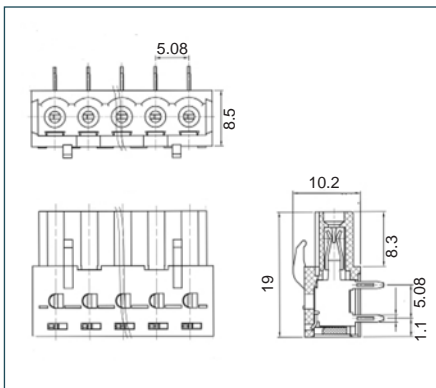
PCB mounting female vertical connector (flanged)

PART NO.	POLES	LENGTH A	LENGTH B
CTBP97VJ/2FL	2	10.2mm	20.32mm
CTBP97VJ/3FL	3	15.2mm	25.4mm
CTBP97VJ/4FL	4	20.3mm	30.48mm
CTBP97VJ/5FL	5	25.4mm	35.56mm
CTBP97VJ/6FL	6	30.5mm	40.64mm
CTBP97VJ/7FL	7	35.6mm	45.72mm
CTBP97VJ/8FL	8	40.6mm	50.8mm
CTBP97VJ/9FL	9	45.7mm	55.88mm
CTBP97VJ/10FL	10	50.8mm	60.96mm
CTBP97VJ/11FL	11	55.9mm	66.04mm
CTBP97VJ/12FL	12	61.0mm	71.12mm



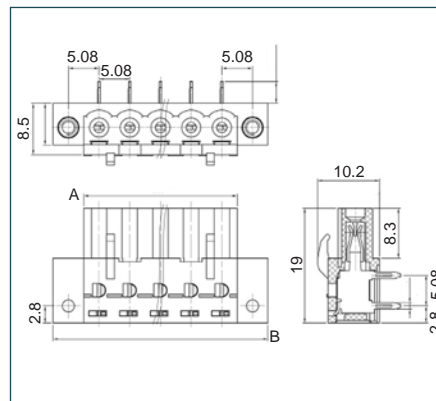
PCB mounting female horizontal connector

PART NO.	POLES	LENGTH
CTBP97HJ /2	2	12.2mm
CTBP97HJ /3	3	17.2mm
CTBP97HJ /4	4	22.3mm
CTBP97HJ /5	5	27.4mm
CTBP97HJ /6	6	32.5mm
CTBP97HJ /7	7	37.6mm
CTBP97HJ /8	8	42.6mm
CTBP97HJ /9	9	47.7mm
CTBP97HJ /10	10	52.8mm
CTBP97HJ /11	11	57.9mm
CTBP97HJ /12	12	63.0mm



PCB mounting female horizontal connector (flanged)

PART NO.	POLES	LENGTH A	LENGTH B
CTBP97HJ/2FL	2	10.2mm	20.32mm
CTBP97HJ/3FL	3	15.2mm	25.4mm
CTBP97HJ/4FL	4	20.3mm	30.48mm
CTBP97HJ/5FL	5	25.4mm	35.56mm
CTBP97HJ/6FL	6	30.5mm	40.64mm
CTBP97HJ/7FL	7	35.6mm	45.72mm
CTBP97HJ/8FL	8	40.6mm	50.8mm
CTBP97HJ/9FL	9	45.7mm	55.88mm
CTBP97HJ/10FL	10	50.8mm	60.96mm
CTBP97HJ/11FL	11	55.9mm	66.04mm
CTBP97HJ/12FL	12	61.0mm	71.12mm



081
TERMINAL STRIPS

095
WIRE TO BOARD
CONNECTORS

100
CIRCULAR
CONNECTORS

151
IP68 CONNECTORS

158
INTERFACE
MODULES AND
RELAY BASES



002

PCB TERMINAL
BLOCKS

081

TERMINAL STRIPS

095

WIRE TO BOARD
CONNECTORS

100

CIRCULAR
CONNECTORS

151

IP68 CONNECTORS

158

INTERFACE
MODULES AND
RELAY BASES

5mm pitch pluggable terminal blocks for vertical or 90° mounting

Product overview

- 2-12 pole interlocking
- Wire protector terminals
- Moulded in black UL94-V0 flame retardant PA66
- Cable acceptance - 0.32 to 1.3mm² (28-16AWG) solid and stranded cable
- Pluggable via pin strip header
- Test probe facility
- Dual horizontal or vertical mounting
- Captive screws
- approved

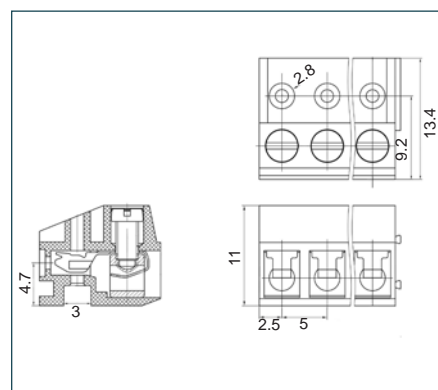


SPECIFICATION

Rating	UL=10A/300V
Insulation resistance	500M Ω/500V
Withstand voltage	AC2000V/1min
Contact resistance	20mΩ (max)
Working temperature	-30°C to +120°C
Moulding	UL94-V0 flame retardant PA66
Pin/terminal	Tin plated brass
Wire protector	Phosphor bronze, nickel plated
Screw/torque	M2.5 steel, zinc plated 0.4Nm

PART NO.	POLES	LENGTH
CTBP1301/2	2	10mm
CTBP1301/3	3	15mm
CTBP1301/4	4	20mm
CTBP1301/5	5	25mm
CTBP1301/6	6	30mm
CTBP1301/7	7	35mm
CTBP1301/8	8	40mm
CTBP1301/9	9	45mm
CTBP1301/10	10	50mm
CTBP1301/11	11	55mm
CTBP1301/12	12	60mm

CTBP1301



PART NO.	POLES
CTBP1301/PS2	2
CTBP1301/PS3	3
CTBP1301/PS4	4
CTBP1301/PS5	5
CTBP1301/PS6	6
CTBP1301/PS7	7
CTBP1301/PS8	8
CTBP1301/PS9	9
CTBP1301/PS10	10
CTBP1301/PS11	11
CTBP1301/PS12	12
CTBP1301/PS13	13
CTBP1301/PS14	14
CTBP1301/PS15	15
CTBP1301/PS16	16
CTBP1301/PS17	17
CTBP1301/PS18	18
CTBP1301/PS19	19
CTBP1301/PS20	20
CTBP1301/PS21	21
CTBP1301/PS22	22
CTBP1301/PS23	23
CTBP1301/PS24	24

5mm pitch 24 pin strip header

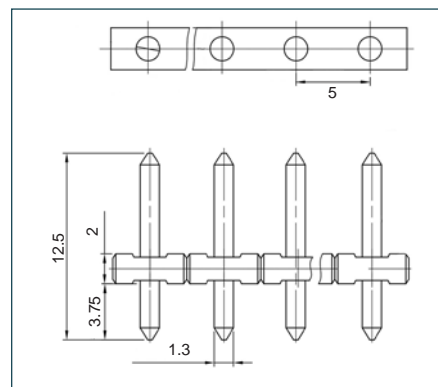
- Supplied in 24-way or pre-cut to size
- Easily cut to required length
- Moulded in UL94-V0 flame retardant PBT
- Anti solder wicking
- Guided pin alignment
- approved

CTBP1301 PS



SPECIFICATION

Rating	UL=10A/300V
Insulation resistance	500M Ω/DC500V
Withstand Voltage	AC2000V/1min
Contact Resistance	20mΩ (max)
Working temperature	-40°C to +105°C
Soldering condition	250°C/ 5 seconds
Moulding	UL94-V0 flame retardant PBT
Pins	Brass tin plated
Recommended PCB hole size	ø1.6mm





PCB TERMINAL BLOCKS PLUGGABLE - SCREWLESS

Screwless PCB terminal blocks are often used where high volume or quick assembly is needed. No tools are required to make connection if solid wire or stranded with ferrules is used. The wire will open the gate and be secured just by pushing it in. Some types have actuators or a tool slot which allow stranded wires to be used without ferrules.



2.5mm pitch
pluggable
screwless
terminal blocks **76**



3.5mm pitch
pluggable
screwless
terminal blocks **77**



3.81mm pitch
pluggable
screwless
terminal blocks **78**



5.08mm pitch
pluggable
screwless
terminal blocks **79**



002
PCB TERMINAL
BLOCKS

081
TERMINAL STRIPS

095
WIRE TO BOARD
CONNECTORS


100
CIRCULAR
CONNECTORS

151
IP68 CONNECTORS

158
INTERFACE
MODULES AND
RELAY BASES

3.81mm screwless terminal blocks

Product overview

- Interlocking modules
- Easily breakable to desired number of poles
- Guided pin alignment
- Moulded in green UL94-V0 PA66
- 0.5-2.5mm² cable (20-14AWG)
-  approved

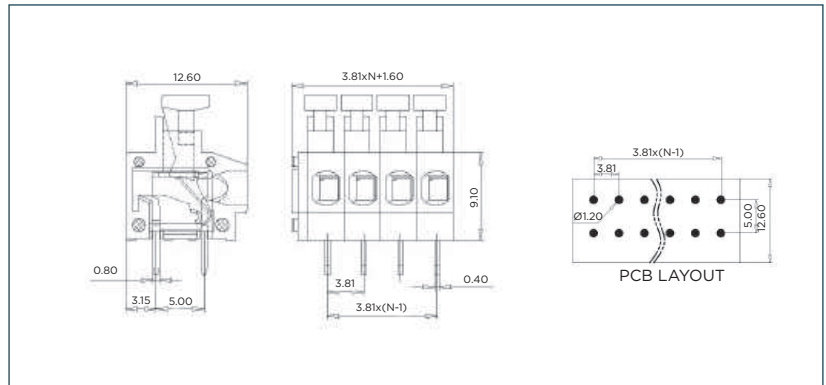
CSTBP381



SPECIFICATION

Rating	10A/300V
Insulation withstand voltage	AC2000V/1 min
Insulation resistance	500MΩ at DC500V
Operating temperature	-40°C to +115°C
Moulding	UL94-V0 PA66
Pin/contact	Tin plated brass
Recommended PCB hole size	1.2mm

PART NO.	POLES	LENGTH
CSTBP381/2	2	9.2mm
CSTBP381/3	3	13.0mm
CSTBP381/4	4	16.8mm
CSTBP381/5	5	20.7mm
CSTBP381/6	6	24.5mm
CSTBP381/7	7	28.3mm
CSTBP381/8	8	32.1mm
CSTBP381/9	9	35.9mm
CSTBP381/10	10	39.7mm
CSTBP381/11	11	43.5mm
CSTBP381/12	12	47.3mm



KEY FEATURES


Dual row pins | Screwless actuated cage terminals | Modular design





5mm screwless terminal blocks

Product overview

- Interlocking modules
- Easily breakable to desired number of poles
- Guided pin alignment
- Moulded in green UL94-V0 PA66
- 0.08-1.5mm² cable (28-16AWG)
-  approved

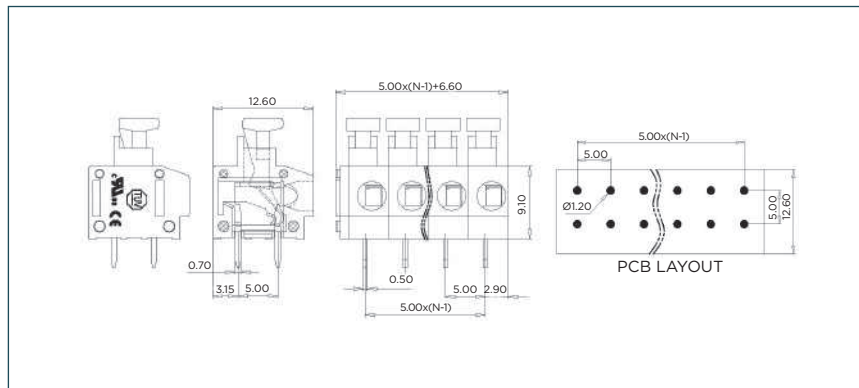
CSTBP500



SPECIFICATION

Rating	10A/300V
Insulation withstand voltage	AC2000V/1 min
Insulation resistance	500MΩ at DC500V
Operating temperature	-40°C to +115°C
Moulding	UL94-V0 PA66
Pin/contact	Tin plated phosphor bronze
Recommended PCB hole size	1.2mm

PART NO.	POLES	LENGTH
CSTBP500/2	2	11.6mm
CSTBP500/3	3	16.6mm
CSTBP500/4	4	21.6mm
CSTBP500/5	5	26.6mm
CSTBP500/6	6	31.6mm
CSTBP500/7	7	36.6mm
CSTBP500/8	8	41.6mm
CSTBP500/9	9	46.6mm
CSTBP500/10	10	51.6mm
CSTBP500/11	11	56.6mm
CSTBP500/12	12	61.6mm



KEY FEATURES


Dual row pins | Screwless actuated cage terminals | Modular design



002
PCB TERMINAL
BLOCKS081
TERMINAL STRIPS095
WIRE TO BOARD
CONNECTORS100
CIRCULAR
CONNECTORS151
IP68 CONNECTORS158
INTERFACE
MODULES AND
RELAY BASES

3.5mm 45° screwless terminal blocks

Product overview

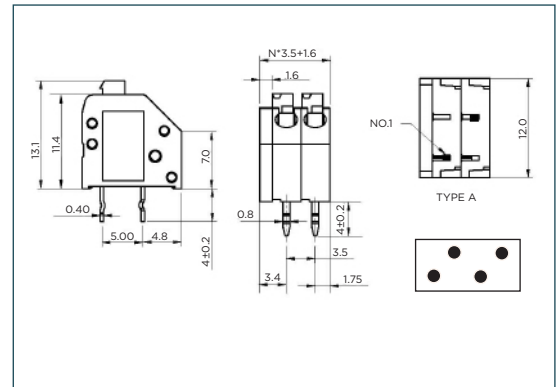
- Interlocking modules
- Easily breakable to desired number of poles
- 45° cable entry
- Kinked pins for soldering retention
- Guided pin alignment
- Offset pinout allows greater voltage clearance
- Choice of 2 pin positions
- Moulded in green UL94-V0 PA66
- 0.34-0.75mm² cable (22-18AWG)
-  approved

SPECIFICATION

Rating	10A/300V
Insulation withstand voltage	AC2000V/1 min
Insulation resistance	500MΩ at DC500V
Operating temperature	-40°C to +105°C
Moulding	UL94-V0 PA66
Pin/contact	Tin plated phosphor bronze
Recommended PCB hole size	1.2mm

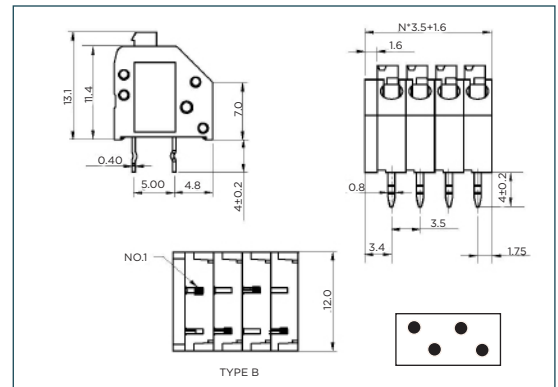
PART NO.	POLES	LENGTH
CSTBP45VDA/2	2	8.6mm
CSTBP45VDA/3	3	12.1mm
CSTBP45VDA/4	4	15.6mm
CSTBP45VDA/5	5	19.1mm
CSTBP45VDA/6	6	22.6mm
CSTBP45VDA/7	7	26.1mm
CSTBP45VDA/8	8	29.6mm
CSTBP45VDA/9	9	33.1mm
CSTBP45VDA/10	10	36.6mm
CSTBP45VDA/11	11	40.1mm
CSTBP45VDA/12	12	43.6mm

CSTBP45VDA



PART NO.	POLES	LENGTH
CSTBP45VDB/2	2	8.6mm
CSTBP45VDB/3	3	12.1mm
CSTBP45VDB/4	4	15.6mm
CSTBP45VDB/5	5	19.1mm
CSTBP45VDB/6	6	22.6mm
CSTBP45VDB/7	7	26.1mm
CSTBP45VDB/8	8	29.6mm
CSTBP45VDB/9	9	33.1mm
CSTBP45VDB/10	10	36.6mm
CSTBP45VDB/11	11	40.1mm
CSTBP45VDB/12	12	43.6mm

CSTBP45VDB



KEY FEATURES


Dual row pins | Two types of pin layout | 45 degree modular design





2.54mm screwless terminal blocks

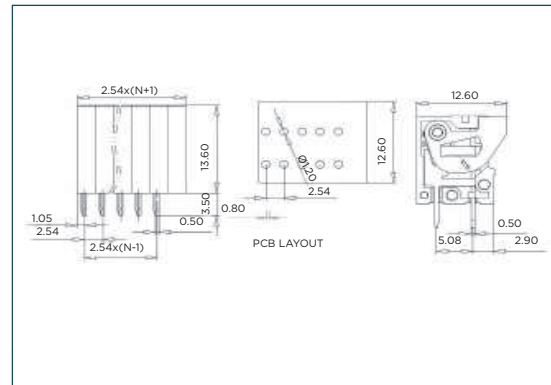
Product overview

- Interlocking modules
- Easily breakable to desired number of poles
- Guided pin alignment
- Choice of vertical or horizontal cable entry
- Moulded in green UL94-V0 PA66
- 0.08-1.3mm² cable (28-16AWG)
-  approved

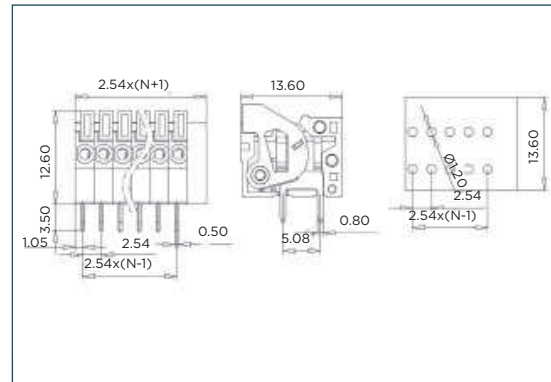
SPECIFICATION

Rating	10A/300V
Insulation withstand voltage	AC1250V/1 min
Insulation resistance	500MΩ at DC500V
Operating temperature	-40°C to +115°C
Moulding	UL94-V0 PA66
Pin/contact	Tin plated brass
Recommended PCB hole size	1.1mm

PART NO.	POLES	LENGTH
CSTBP254V/2	2	7.6mm
CSTBP254V/3	3	10.2mm
CSTBP254V/4	4	12.7mm
CSTBP254V/5	5	15.2mm
CSTBP254V/6	6	17.8mm
CSTBP254V/7	7	20.3mm
CSTBP254V/8	8	22.9mm
CSTBP254V/9	9	25.4mm
CSTBP254V/10	10	27.9mm
CSTBP254V/11	11	30.5mm
CSTBP254V/12	12	33.0mm

CSTBP254V

PART NO.	POLES	LENGTH
CSTBP254H/2	2	7.6mm
CSTBP254H/3	3	10.2mm
CSTBP254H/4	4	12.7mm
CSTBP254H/5	5	15.2mm
CSTBP254H/6	6	17.8mm
CSTBP254H/7	7	20.3mm
CSTBP254H/8	8	22.9mm
CSTBP254H/9	9	25.4mm
CSTBP254H/10	10	27.9mm
CSTBP254H/11	11	30.5mm
CSTBP254H/12	12	33.0mm

CSTBP254H

KEY FEATURES


Dual row pins | Space saving pitch size | Modular design



002
PCB TERMINAL
BLOCKS081
TERMINAL STRIPS095
WIRE TO BOARD
CONNECTORS100
CIRCULAR
CONNECTORS151
IP68 CONNECTORS158
INTERFACE
MODULES AND
RELAY BASES

5.08mm screwless terminal blocks

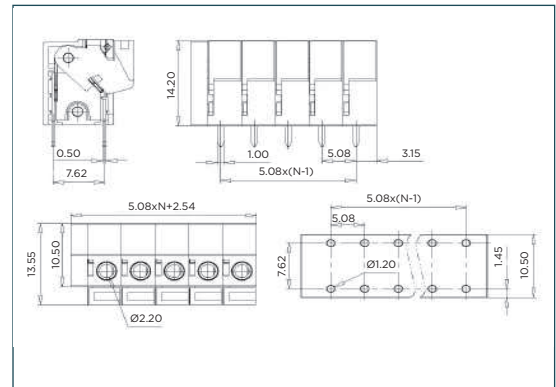
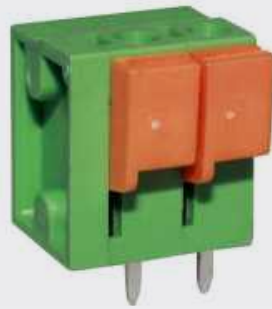
Product overview

- Interlocking modules
- Easily breakable to desired number of poles
- Guided pin alignment
- Choice of vertical or horizontal cable entry
- Moulded in green UL94-V0 PA66
- 0.34-2.5mm² cable (22-14AWG)
-  approved

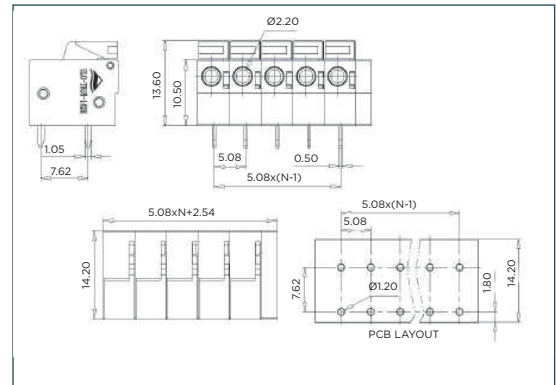
SPECIFICATION

Rating	10A/300V
Insulation withstand voltage	AC2500V/1 min
Insulation resistance	500MΩ at DC500V
Operating temperature	-40°C to +115°C
Moulding	UL94-V0 PA66
Pin/contact	Tin plated brass
Recommended PCB hole size	1.2mm

PART NO.	POLES	LENGTH
CSTBP508V/2	2	12.7mm
CSTBP508V/3	3	17.8mm
CSTBP508V/4	4	22.9mm
CSTBP508V/5	5	27.9mm
CSTBP508V/6	6	33.0mm
CSTBP508V/7	7	38.1mm
CSTBP508V/8	8	43.2mm
CSTBP508V/9	9	48.3mm
CSTBP508V/10	10	53.3mm
CSTBP508V/11	11	58.4mm
CSTBP508V/12	12	63.5mm

CSTBP508V

PART NO.	POLES	LENGTH
CSTBP508H/2	2	12.7mm
CSTBP508H/3	3	17.8mm
CSTBP508H/4	4	22.9mm
CSTBP508H/5	5	27.9mm
CSTBP508H/6	6	33.0mm
CSTBP508H/7	7	38.1mm
CSTBP508H/8	8	43.2mm
CSTBP508H/9	9	48.3mm
CSTBP508H/10	10	53.3mm
CSTBP508H/11	11	58.4mm
CSTBP508H/12	12	63.5mm

CSTBP508H

KEY FEATURES

Dual row pins | Vertical or horizontal cable entry | Modular design





7.62mm screwless terminal blocks

Product overview

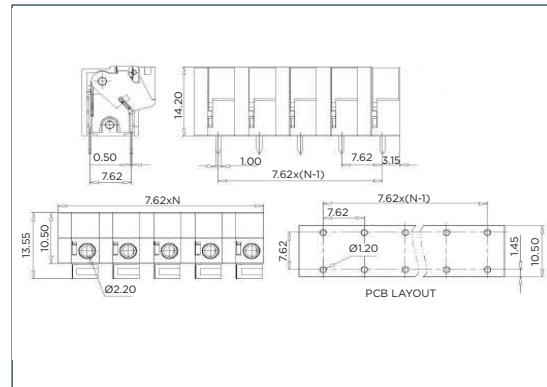
- Interlocking modules
- Easily breakable to desired number of poles
- Guided pin alignment
- Choice of vertical or horizontal cable entry
- Moulded in green UL94-V0 PA66
- 0.34-2.5mm² cable (22-14AWG)
- approved

SPECIFICATION

Rating	10A/300V
Insulation withstand voltage	AC2500V/1 min
Insulation resistance	500M Ω at DC500V
Operating temperature	-40°C to +115°C
Moulding	UL94-V0 PA66
Pin/contact	Tin plated brass
Recommended PCB hole size	1.2mm

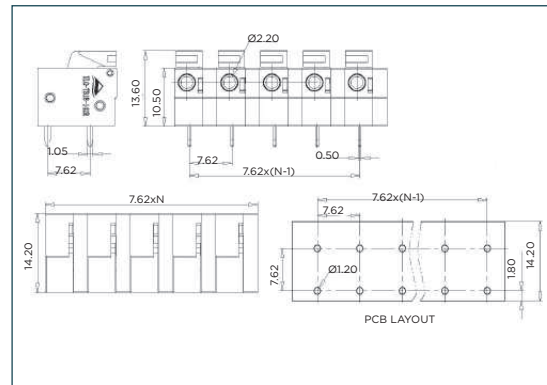
PART NO.	POLES	LENGTH
CSTBP762V/2	2	17.8mm
CSTBP762V/3	3	25.4mm
CSTBP762V/4	4	33.0mm
CSTBP762V/5	5	40.6mm
CSTBP762V/6	6	48.3mm
CSTBP762V/7	7	55.9mm
CSTBP762V/8	8	63.5mm
CSTBP762V/9	9	71.1mm
CSTBP762V/10	10	78.7mm
CSTBP762V/11	11	86.4mm
CSTBP762V/12	12	94.0mm

CSTBP762V



PART NO.	POLES	LENGTH
CSTBP762H/2	2	17.8mm
CSTBP762H/3	3	25.4mm
CSTBP762H/4	4	33.0mm
CSTBP762H/5	5	40.6mm
CSTBP762H/6	6	48.3mm
CSTBP762H/7	7	55.9mm
CSTBP762H/8	8	63.5mm
CSTBP762H/9	9	71.1mm
CSTBP762H/10	10	78.7mm
CSTBP762H/11	11	86.4mm
CSTBP762H/12	12	94.0mm

CSTBP762H



KEY FEATURES



Dual row pins | Screwless actuated cage terminals | Modular design



002
PCB TERMINAL
BLOCKS081
TERMINAL STRIPS095
WIRE TO BOARD
CONNECTORS100
CIRCULAR
CONNECTORS151
IP68 CONNECTORS158
INTERFACE
MODULES AND
RELAY BASES

2.5mm pitch pluggable screwless terminal blocks

Product overview

- 2-12 pole solid block
- Screwless connectivity
- Moulded in green UL94-V0, flame retardant PA66
- Cable acceptance - 0.12mm² - 0.5mm² (26-20AWG)
- Pluggable male and female connectors
- Polarised mouldings
-   approved

SPECIFICATION

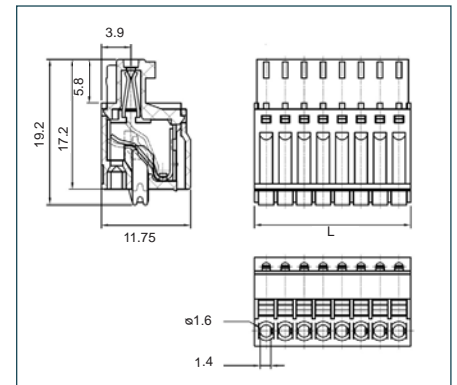
Rating	UL=4A/150V, IEC=5A/250V
Insulation resistance	500MΩ/500V
Withstand voltage	AC1250V/1min
Contact resistance	20mΩ (max)
Working temperature	-40°C to +105°C
Moulding	UL94-V0, flame retardant PA66
Spring	Stainless steel
Contact	Bronze, Ni plated

Recommended PCB hole size 1.4mm

Female connector

PART NO.	POLES	LENGTH
CSTBP92HC/2	2	5.6mm
CSTBP92HC/3	3	8.1mm
CSTBP92HC/4	4	10.6mm
CSTBP92HC/5	5	13.1mm
CSTBP92HC/6	6	15.6mm
CSTBP92HC/7	7	18.1mm
CSTBP92HC/8	8	20.6mm
CSTBP92HC/9	9	23.1mm
CSTBP92HC/10	10	25.6mm
CSTBP92HC/11	11	28.1mm
CSTBP92HC/12	12	30.6mm

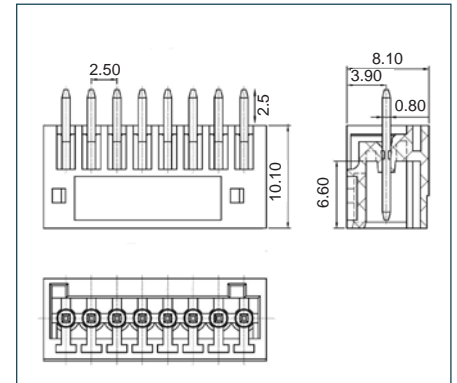
CSTBP92HC



Male header vertical connector

PART NO.	POLES	LENGTH
CTBP93VC/2	2	6.9mm
CTBP93VC/3	3	9.4mm
CTBP93VC/4	4	11.9mm
CTBP93VC/5	5	14.4mm
CTBP93VC/6	6	16.9mm
CTBP93VC/7	7	19.4mm
CTBP93VC/8	8	21.9mm
CTBP93VC/9	9	24.4mm
CTBP93VC/10	10	26.9mm
CTBP93VC/11	11	29.4mm
CTBP93VC/12	12	31.9mm

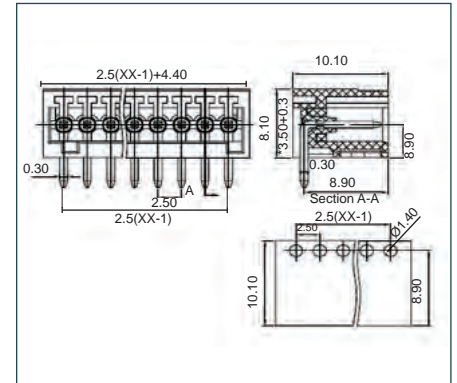
CTBP93VC



Male header horizontal connector

PART NO.	POLES	LENGTH
CTBP93HC/2	2	6.9mm
CTBP93HC/3	3	9.4mm
CTBP93HC/4	4	11.9mm
CTBP93HC/5	5	14.4mm
CTBP93HC/6	6	16.9mm
CTBP93HC/7	7	19.4mm
CTBP93HC/8	8	21.9mm
CTBP93HC/9	9	24.4mm
CTBP93HC/10	10	26.9mm
CTBP93HC/11	11	29.4mm
CTBP93HC/12	12	31.9mm

CTBP93HC





3.5mm pitch pluggable screwless terminal blocks

Product overview

- 2-12 pole solid block
- Screwless connection
- Moulded in green UL94-V0 flame retardant PA66
- Cable acceptance- 0.08 to 1.31mm² (28-16 AWG) solid and stranded cable
- Compatible with all 3.5mm pluggable male headers
- Pluggable female connectors
- Polarised mouldings
-  approved

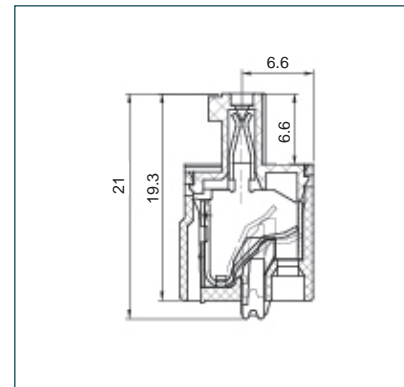
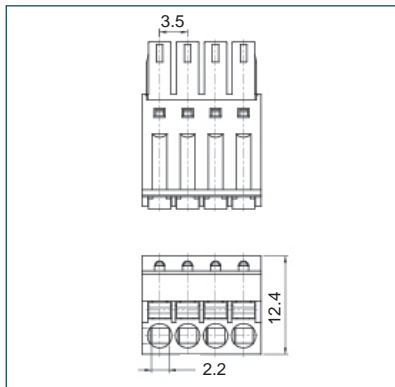
CSTBP92HD



SPECIFICATION

Rating	UL=8A/300V, IEC=10A/250V
Insulation resistance	500MΩ/500V
Withstand voltage	AC2000V/1min
Contact resistance	20mΩ (max)
Working temperature	-40°C to +105°C
Moulding	UL94-V0, flame retardant PA66
Spring	Stainless steel
Contact	Bronze, Ni plated

PART NO.	POLES	LENGTH
CSTBP92HD/2	2	7.9mm
CSTBP92HD/3	3	11.4mm
CSTBP92HD/4	4	14.9mm
CSTBP92HD/5	5	18.4mm
CSTBP92HD/6	6	21.9mm
CSTBP92HD/7	7	25.4mm
CSTBP92HD/8	8	28.9mm
CSTBP92HD/9	9	32.4mm
CSTBP92HD/10	10	35.9mm
CSTBP92HD/11	11	39.4mm
CSTBP92HD/12	12	42.9mm



MATING PRODUCTS

CSTBP92HD mates with male terminal blocks:


CTBP93HD - page 59

CTBP93VD - page 59

002
PCB TERMINAL
BLOCKS081
TERMINAL STRIPS095
WIRE TO BOARD
CONNECTORS100
CIRCULAR
CONNECTORS151
IP68 CONNECTORS158
INTERFACE
MODULES AND
RELAY BASES

3.81mm pitch pluggable screwless terminal blocks

Product overview

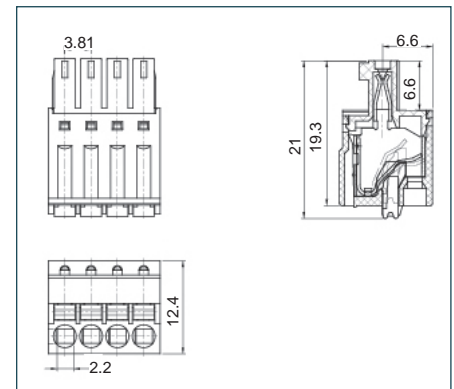
- 2-12 pole solid block
- Screwless connection
- Moulded in green UL94-V0 flame retardant PA66
- Cable acceptance - 0.08 to 1.31mm² (28-16 AWG) solid and stranded cable
- Compatible with all 3.81mm pluggable male headers
- Pluggable female connectors
-  approved

SPECIFICATION

Rating	UL=8A/300V, IEC=10A/250V
Insulation resistance	500M Ω /500V
Withstand voltage	AC2000V/1min
Contact resistance	20m Ω (max)
Working temperature	-40°C to +105°C
Moulding	UL94-V0, flame retardant PA66
Spring	Stainless steel
Contact	Bronze, Ni plated

PART NO.	POLES	LENGTH
CSTBP92HE/2	2	8.41mm
CSTBP92HE/3	3	12.22mm
CSTBP92HE/4	4	16.03mm
CSTBP92HE/5	5	19.84mm
CSTBP92HE/6	6	23.65mm
CSTBP92HE/7	7	27.46mm
CSTBP92HE/8	8	31.27mm
CSTBP92HE/9	9	35.08mm
CSTBP92HE/10	10	38.89mm
CSTBP92HE/11	11	42.7mm
CSTBP92HE/12	12	46.51mm

CSTBP92HE



ASSOCIATED PRODUCTS


CSTBP92HE mates with male terminal blocks CTB93HE and CTBP93VE.

CTBP93HE - page 61

CTBP93VE - page 61

5.08mm pitch pluggable screwless terminal blocks

Product overview

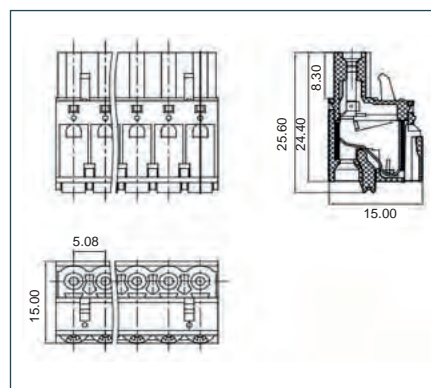
- 2-12 pole solid block
- Screwless connectivity
- Moulded in green UL94-V0, flame retardant PA66
- Cable acceptance - 0.08 - 2.08mm² (28-14 AWG) solid and stranded cable
- Compatible with all 5.08 pluggable male headers
- Pluggable female connectors
- Polarised mouldings
-  approved

SPECIFICATION

Rating	UL=10A/300V, IEC=20A/450V
Insulation resistance	500M Ω /500V
Withstand voltage	AC2000V/1min
Contact resistance	20m Ω (max)
Working temperature	-40°C to +105°C
Moulding	UL94-V0, flame retardant PA66
Spring	Stainless steel
Contact	Bronze, Ni plated

PART NO.	POLES	LENGTH
CSTBP9208/2	2	10.8mm
CSTBP9208/3	3	15.8mm
CSTBP9208/4	4	20.9mm
CSTBP9208/5	5	26.0mm
CSTBP9208/6	6	31.1mm
CSTBP9208/7	7	36.2mm
CSTBP9208/8	8	41.2mm
CSTBP9208/9	9	46.3mm
CSTBP9208/10	10	51.4mm
CSTBP9208/11	11	56.5mm
CSTBP9208/12	12	61.6mm

CSTBP9208



081

TERMINAL STRIPS

095

WIRE TO BOARD
CONNECTORS

100

CIRCULAR
CONNECTORS

151

IP68 CONNECTORS

158

INTERFACE
MODULES AND
RELAY BASES

ASSOCIATED PRODUCTS

CSTBP9208 mates with male terminal blocks CTB9308 and CTBP9358 open and closed ended versions.

CTBP9308 - page 66

CTBP9358 - page 66

CTBP9308 AO - page 66

CTBP9358 AO - page 66



CAMDENBOSS

INSTRUMENTATION

PROFESSIONALLY CONNECTED

Our high grade connectors will ensure reliable connection when it matters most.

With IP68 rating, chrome plating and corrosion resistance, our CamCirc connectors maintain connection in all environments.

Paired with our range of robust and stylish enclosures, your product will look the part.

For further details of our Camcirc connectors, see pages 100-150 and for our off-the-shelf customisation service, see pages 434-437.

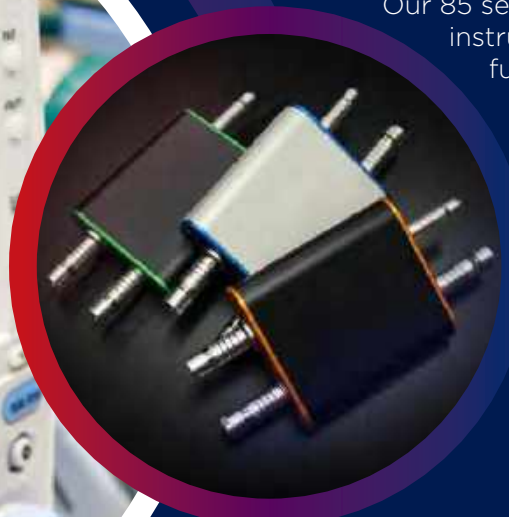


CamCirc, a tough reliable, high grade connection system that is IP68 rated and corrosion resistant.

See pages 100-150

Our 85 series aluminium cases give your instrumentation the edge. The range is fully customisable and available in a variety of sizes and colours.

See page 418



Associated products:

Terminal blocks	pages 1-79
Desktop and instrument cases	page 343
2600/2700 series terminal cases	page 347

Call our sales team on 01638 716101

TERMINAL STRIPS

High temperature resistant connection blocks and nylon terminal strips in a variety of sizes and styles.

002
PCB TERMINAL
BLOCKS

081
TERMINAL STRIPS

095
WIRE TO BOARD
CONNECTORS

100
CIRCULAR
CONNECTORS

118
IP68 CONNECTORS

158
INTERFACE
MODULES AND
RELAY BASES

		
<p>12 way nylon terminal strips 82</p>	<p>Pluggable terminal strips 84</p>	<p>PCB mounted terminal strips 85</p>
		
<p>Easy break terminal strips 86</p>	<p>Screw to screwless terminal strips 87</p>	<p>Push-in fast connectors 89</p>
		
<p>Barrier strips 91</p>	<p>High temperature resistant connection blocks 94</p>	

12 way nylon terminal strips

Product overview

- Moulded from:
 - Natural PA6 (standard, CTSN400)
 - Cream PA66 (CTSN500)
 - Grey PA66 glass fibre (CTSN600)
- Available with or without wire protection
- UL94-V2 self extinguishing as standard
- V0 types pass 960°C glow-wire test
- Printing available on request
- Easily cut to size
- Supplied cut to length on request
- Closed inserts (middle barrier) option
- Captive terminal screws
- UL US, CE, RoHS approved

SPECIFICATION		
Voltage	CTSN431-433 CTSN434-438	450VAC 750VAC (UL600VAC)
Working temperature	CTSN400 CTSN500 CTSN600	-30°C to +110°C -30°C to +110°C -30°C to +160°C
Moulding	CTSN400 CTSN500 CTSN600	UL94-V2 PA6 UL94-V0 PA66 UL94-V0 PA66 + GF
Standard insert	Nickel-plated brass	
Terminal screws	Zinc-plated steel CQ-15	
Wire protectors	Stainless steel	



Part Numbers shown are for standard PA6 material (e.g. CTSN433/12)

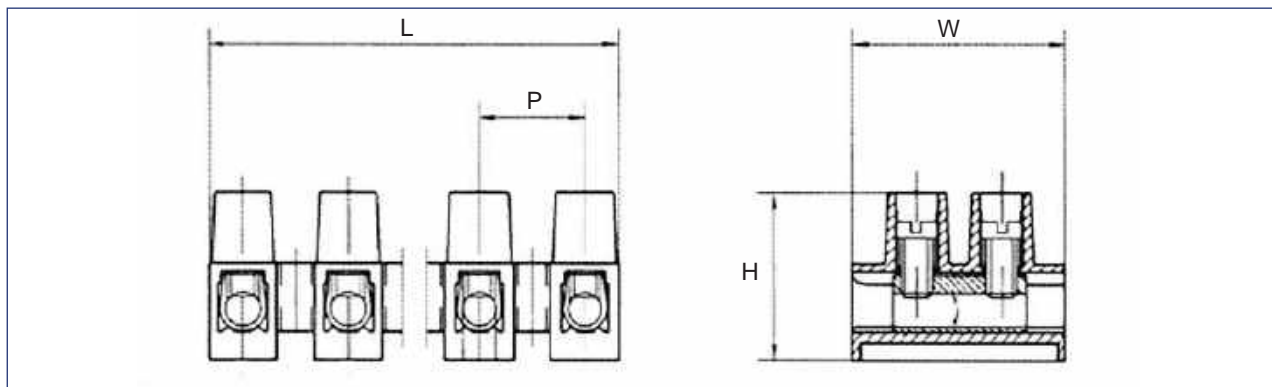
For CSTN500 PA66 material change first number to 5 (e.g. CTSN533/12)

For CSTN600 PA66+GF material change first number to 6 (e.g. CTSN633/12)

Standard type

PART NO.	PITCH/ UL RATING	WIRE PROTECTION	INSERT DIAMETER	CABLE ACCEPTANCE	TERMINAL SCREWS	LENGTH	WIDTH	HEIGHT	PITCH	FIXING HOLE DIAMETER	MAX CURRENT
CTSN431/12W	8mm/20A	No	3.2mm	4.0mm ² /12AWG	M3	94mm	18mm	15mm	8mm	2.8mm	32A

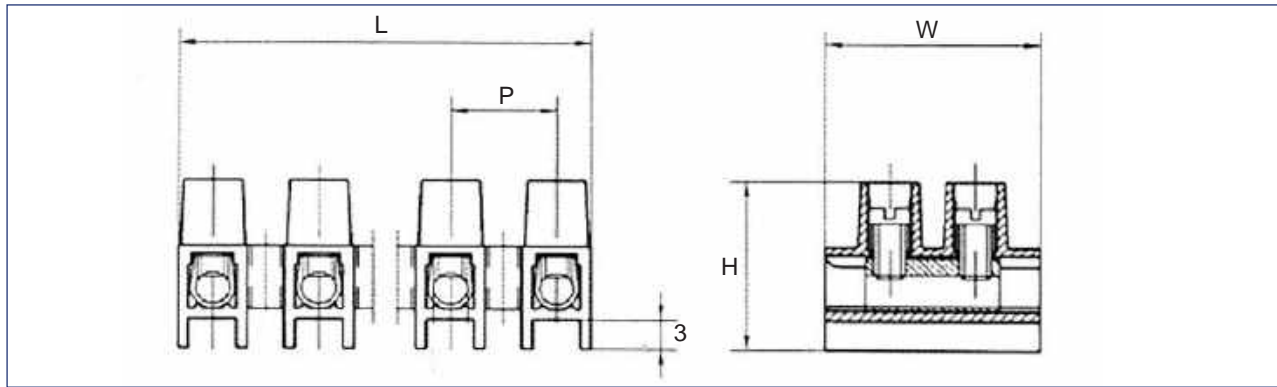
Standard type, no wire protection



Raised base

PART NO.	PITCH/ UL RATING	WIRE PROTECTION	INSERT DIAMETER	CABLE ACCEPTANCE	TERMINAL SCREWS	LENGTH	WIDTH	HEIGHT	PITCH	FIXING HOLE DIAMETER	MAX CURRENT
CTSN431/12WR	8mm/20A	No	3.2mm	4.0mm ² /12AWG	M3	94mm	18mm	17mm	8mm	2.8mm	32A
CTSN431/12R	8mm/20A	Yes	3.2mm	2.5mm ² /14AWG	M3	94mm	18mm	17mm	8mm	2.8mm	32A
CTSN433/12WR	10mm/30A	No	3.5mm	6.0mm ² /10AWG	M3	116mm	21mm	17.5mm	10mm	2.8mm	41A
CTSN433/12R	10mm/30A	Yes	3.5mm	4.0mm ² /12AWG	M3	116mm	21mm	17.5mm	10mm	2.8mm	41A
CTSN434/12WR	12mm/50A	No	4.4mm	10.0mm ² /8AWG	M3.5	140mm	23mm	20mm	12mm	2.8mm	57A
CTSN434/12R	12mm/50A	Yes	4.4mm	6.0mm ² /10AWG	M3.5	140mm	23mm	20mm	12mm	2.8mm	57A
CTSN435/12WR	13.5mm/65A	No	6.0mm	16.0mm ² /6AWG	M4	159mm	26mm	26mm	13.5mm	3.6mm	76A
CTSN435/12R	13.5mm/65A	Yes	6.0mm	10.0mm ² /8AWG	M4	159mm	26mm	26mm	13.5mm	3.6mm	76A

Raised base types - provides increased isolation



KEY FEATURES

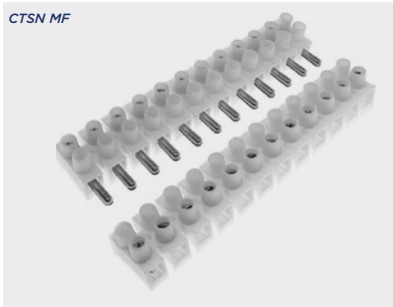
V2 or V0 material | Easily cut to required size | V0 types meet 960°C GWT



Pluggable terminal strips

Product overview

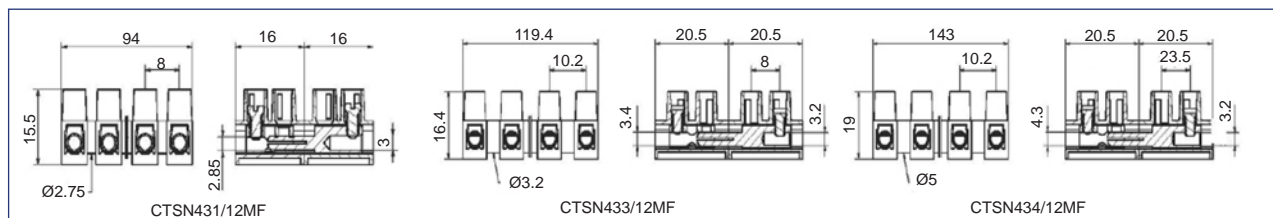
- Moulded in natural PA6, self extinguishing to UL94-V2
- Passes 960°C glow wire test
- Easily cut to size
- Supplied cut to length on request
- Printing available on request
- CE approved



SPECIFICATION	
Voltage (max)	450V AC
Working temperature	-30°C to +110°C (PA6.6 to +150°C)
Moulding	UL94-V2 self extinguishing PA6
Conducting bush	Nickel-plated brass
Terminal screws	Zinc-plated steel

Standard type

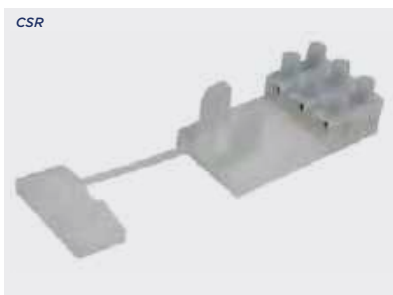
PART NO.	PITCH/ UL RATING	INSERT DIAMETER	CABLE ACCEPTANCE	TERMINAL SCREWS	LENGTH	WIDTH	HEIGHT	PITCH	FIXING HOLE DIAMETER	MAX CURRENT
CTSN431/12MF	8mm/6A	2.9mm	4.0mm ² /12AWG	M3	94mm	16mm	15.5mm	8mm	2.75mm	17.5A
CTSN433/12MF	10.25mm/10A	3.4mm	2.5mm ² /14AWG	M3	119.4mm	20.5mm	16.4mm	10.25mm	3.2mm	24A
CTSN434/12MF	12.5mm/16A	4.3mm	6.0mm ² /10AWG	M3.5	143mm	23.5mm	19mm	12.3mm	3.5mm	57A



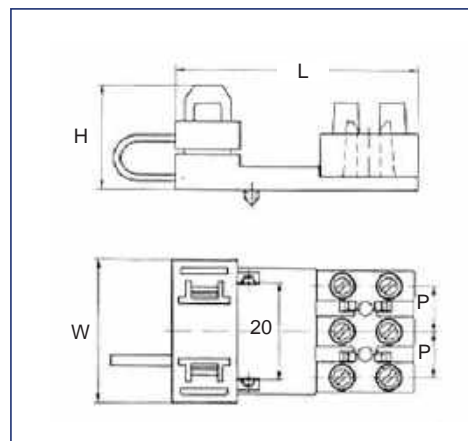
Strain relief

Product overview

- Clamps external conductors in lighting fixtures according to EN60598
- Natural colour PA6
- Relieves strain on cables
- Prevents conductors from twisting
- Protects wire coating from abrasion and friction



PART NO.	TERMINAL STRIP	LENGTH	WIDTH	HEIGHT
CSR1	CTSN431	49.5mm	31mm	22.5mm
CSR2	CTSN433	52.5mm	31mm	22.5mm
CSR3	CTSN434	54.5mm	31mm	22.5mm



KEY FEATURES

Pluggable style | Easily cut to required size | V0 to GWT 960°C



PCB mounted terminal strips

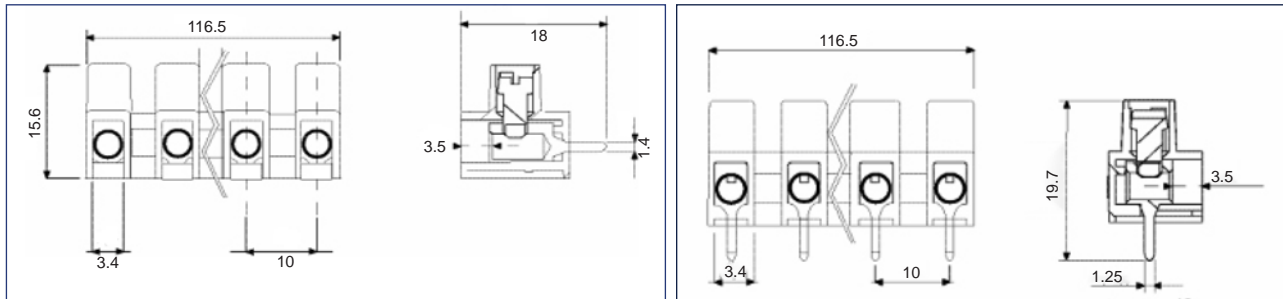
Product overview

- 12 pole 10mm pitch strip
- Can be supplied cut to specified number of poles
- 2.5mm² cable entry
- Anti solder wicking terminals
- Captive screws
- Guided pin alignment
- Moulded in natural UL94-V2 flame retardant PA6
- Beige UL94-V0 PA66 option available to order
- Passes 960°C glow wire test
- CE , RoHS approved



SPECIFICATION	
Rating	24A 450VAC
Glow wire test (EN 606 95-2-11)	960°C
Working temperature	-30°C to +110°C (PA6.6 to +150°C)
Moulding	UL94-V2 flame retardant PA6
Materials: insert screw	Nickel plated brass Zinc plated steel

PART NO.	DESCRIPTION
CTBSN100H	90° screw terminal
CTBSN100V	Vertical screw terminals



KEY FEATURES

Horizontal or vertical | Easily cut to required size | Passes GWT 960°C



Easy break terminal strips

Product overview

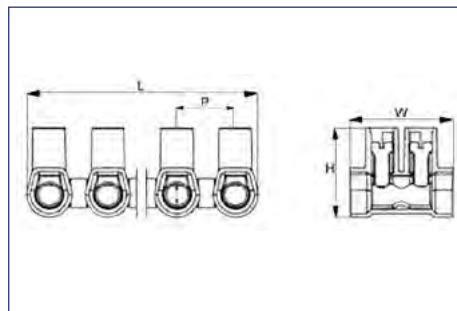
- Easily snapped to required numbered of poles
- No remaining burrs
- No tools required
- Supplied with screws in raised position
- 12 poles as standard
- Halogen free
- Passes 960°C glow wire test
- Moulded in natural UL94-V2 self extinguishing PA6
- Black available on request (MOQ may apply)
- CE approved

CTSOS



SPECIFICATION

Rating	450VAC
Glow wire test (EN 606 95-2-11)	960°C
Working temperature	-30°C to +110°C
Moulding	UL94-V2 self extinguishing PA6
Materials: Insert crew	Nickel plated brass Zinc plated steel



PART NO.	CONNECTING CAPACITY	MIN CONDUCTOR SECTION	TERMINAL SCREWS	LENGTH	WIDTH	HEIGHT	PITCH	MAX CURRENT
CTSOS431	2.5mm ²	1mm ²	M3	95.5mm	17.5mm	14.75mm	8mm	24A
CTSOS433	6mm ²	2.5mm ²	M3	118mm	19mm	15.6mm	10mm	41A
CTSOS434	10mm ²	4mm ²	M3.5	142mm	20.8mm	18.2mm	12mm	57A
CTSOS435	16mm ²	6mm ²	M4	160mm	23mm	21.2mm	13.5mm	76A
CTSOS438	35mm ²	16mm ²	M5	176.5mm	25.5mm	28mm	15mm	125A



KEY FEATURES

Five size options | Easily snapped to required size



Screw to screwless terminal strips

Product overview

- Moulded in UL94-V0 self extinguishing PA66
- Fast connection of two or four solid conductors
- Screw to screw earth terminal
- Raised screws for easier insertion of conductors
- 12-poles, 2-poles plus earth, 3-poles plus earth or 4-poles plus earth
- 12-pole types can be pre-cut to specified number of poles
- All earth types marked with symbols for Live, Earth and Neutral
- CE 72/73 and 93/68 Compliant with EN60598 4.7 and 11.2 (EN60598/1 for CTS4P series)
- All tests from EN60998-1, EN60998-2-1 and EN60998-2-2
- Passes 960°C glow wire test
- CE, ,  approved



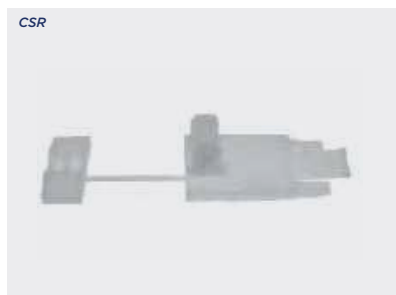
SPECIFICATION	
Rating	24A 450VAC
Working temperature	+110°C
Moulding	UL94-V0 flame retardant PA66
Earth insert	Nickel-plated brass
Push in terminals Insert Clamping spring	Steel Stainless steel
Fixing pitch	10mm

PART NO.	POLES	CONNECTING CAPACITY SCREW	CONNECTING CAPACITY FAST (RIGID)	CONDUCTOR SECTION (MIN) SCREW	CONDUCTOR SECTION (MIN) FAST (RIGID)	LENGTH	WIDTH	HEIGHT	EARTH INSERT	FIXING HOLE
CTS2P/12	12	2.5mm ²	2x 1.5mm ²	1mm ²	0.75mm ²	119mm	19mm	20mm	-	2.8mm
CTS2P/3E	3 (2+earth)	2.5mm ²	2x 1.5mm ²	1mm ²	0.75mm ²	27mm	27.5mm	20mm	4.1mm	2.8mm
CTS2P/3ES	3 (2+earth)	2.5mm ²	2x 1.5mm ²	1mm ²	0.75mm ²	27mm	27.5mm	20mm	4.1mm	drill 3.2mm
CTS2P/4E	4 (3+earth)	2.5mm ²	2x 1.5mm ²	1mm ²	0.75mm ²	37mm	27.5mm	20mm	4.1mm	2.8mm
CTS2P/4ES	4 (3+earth)	2.5mm ²	2x 1.5mm ²	1mm ²	0.75mm ²	37mm	27.5mm	20mm	4.1mm	drill 3.2mm
CTS2P/5E	5 (4+earth)	2.5mm ²	2x 1.5mm ²	1mm ²	0.75mm ²	47mm	27.5mm	20mm	4.1mm	2.8mm
CTS2P/5ES	5 (4+earth)	2.5mm ²	2x 1.5mm ²	1mm ²	0.75mm ²	47mm	27.5mm	20mm	4.1mm	drill 3.2mm
CTS4P/12	12	2.5mm ²	4x 1.5mm ²	1mm ²	0.75mm ²	118mm	21.5mm	17.6mm	-	2.9mm
CTS4P/12S	12	2.5mm ²	4x 1.5mm ²	1mm ²	0.75mm ²	118mm	21.5mm	17.6mm	-	drill 3.5mm
CTS4P/3ES	3 (2+earth)	2.5mm ²	4x 1.0mm ²	1mm ²	0.75mm ²	27.5mm	26.5mm	20mm	3.2mm	drill 3.2mm

Strain relief

Product overview

- Clamps external conductors in lighting fixtures according to EN 60598
- Natural colour PA6
- Relieves strain on cables
- Prevents conductors from twisting
- Protects wire coating from abrasion and friction



PART NO.	TERMINAL STRIP
CSR4	CTS2P/E and CTS2P/ES
CSR5	CTS4P/ES

KEY FEATURES

Screwless style | Easily cut to required size | Passes GWT 960°C



002
PCB TERMINAL
BLOCKS

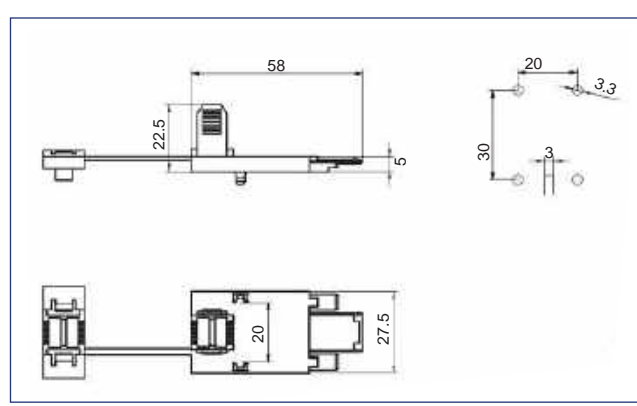
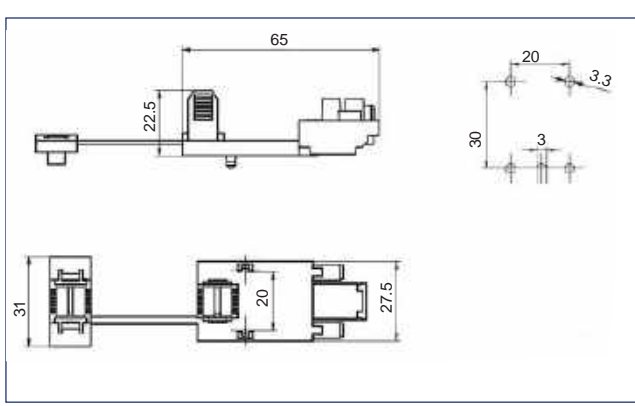
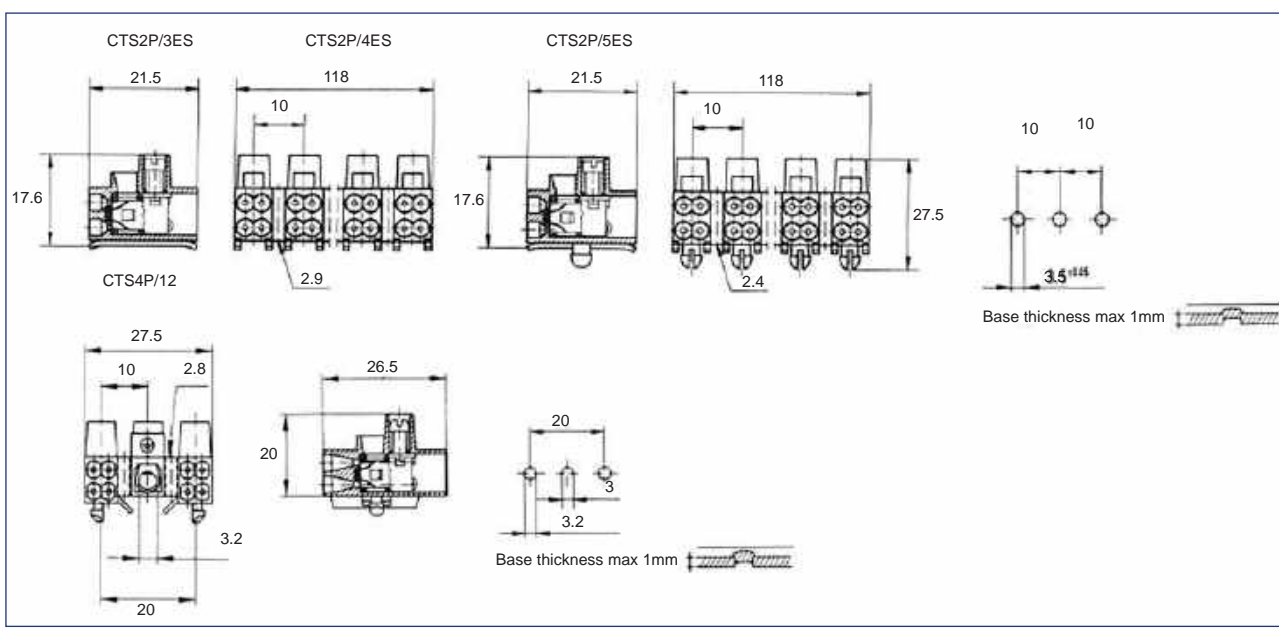
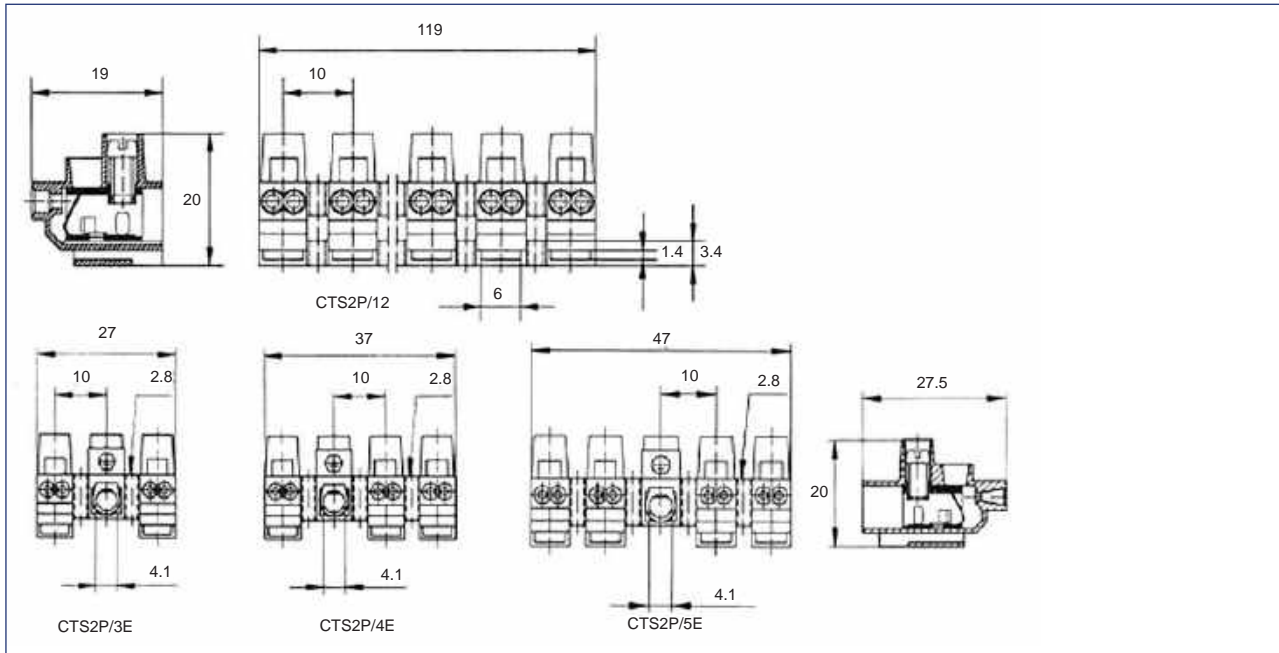
081
TERMINAL STRIPS

095
WIRE TO BOARD
CONNECTORS

100
CIRCULAR
CONNECTORS

151
IP68 CONNECTORS

158
INTERFACE
MODULES AND
RELAY BASES



CONNECT

Push-in fast connectors

Product overview

- Screwless connectors for fast and secure wiring installations
- Installation side wires held by lever clamp
- Appliance side held by spring clamp
- Additional entry for cable capacitors
- Suitable for rigid and single strand copper wire
- Moulded in UL94-V0 self extinguishing PA66
- 2 to 5 poles
- Three different types of earth
- Fixing pin options
- Custom terminal markings available on request
- Halogen free
- Glow wire tested EN60695-2-11
- CE, RoHS, REACH approved



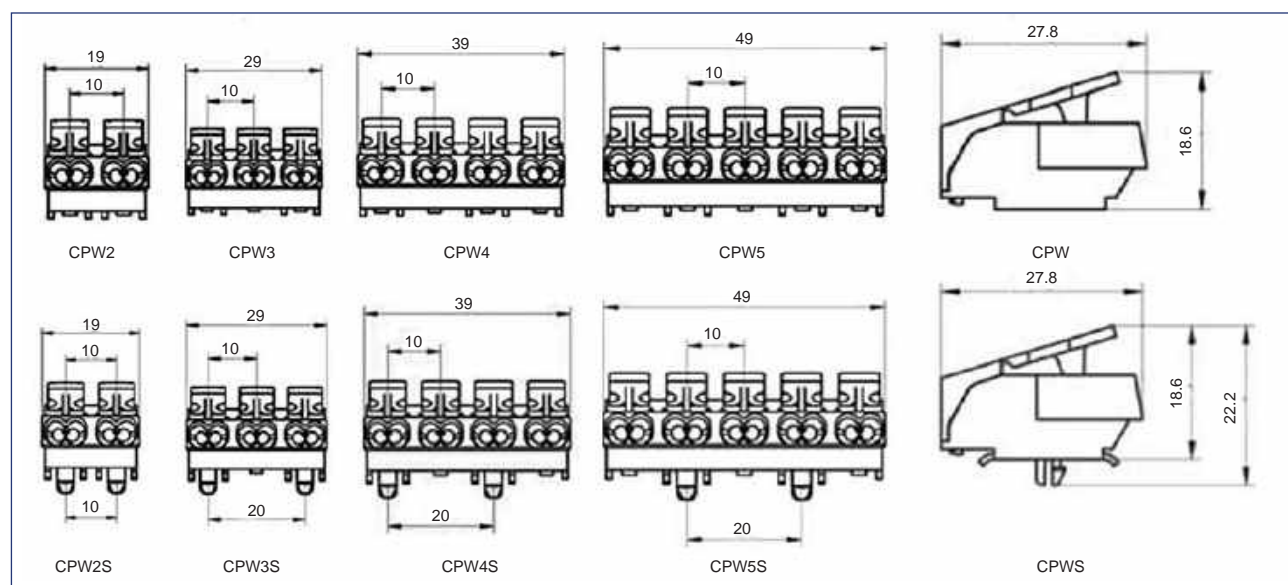
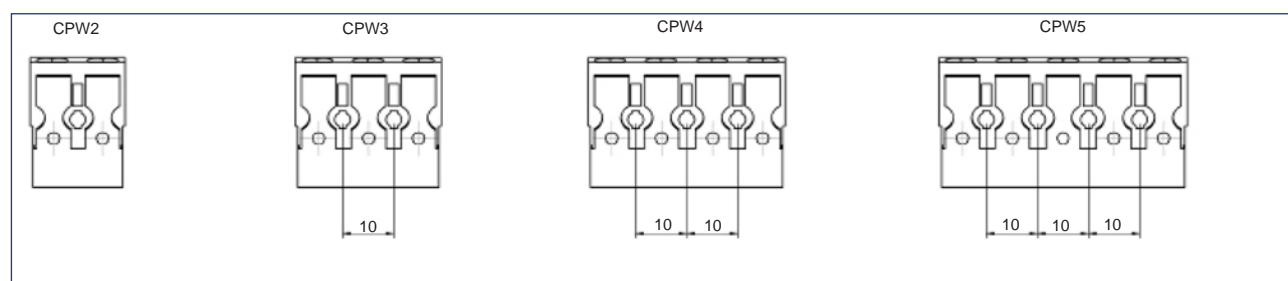
SPECIFICATION	
Rating	24A 450VAC
Working temperature	-30°C to 110°C
Moulding	UL94-V0 flame retardant PA66
Insert strap	Steel
Insert	Steel
Marking	Standard N Neutral L Live ↓ Earth
Cable capacity	Appliance side max. 2x 2.5mm ² Appliance side min. 0.75mm ² Capacitor max. 0.75mm ² Capacitor min. 0.5mm ² Installation side max. 2x 2.5mm ² Installation side min. 1mm ²
Wire trimmings lengths	0.5mm ² to 1mm ² 8mm - 9mm 1.5mm ² to 2mm ² 9mm - 10mm Capacitor 9mm - 11mm

Without fixing pins

POLES	WITHOUT EARTHING	EARTH A	EARTH B	EARTH C
2	CPW2	-	-	-
3(2 + Earth)	CPW3	CPW3A	CPW3B	CPW3C
4(3 + Earth)	CPW4	CPW4A	CPW4B	CPW4C
5(4 + Earth)	CPW5	CPW5A	CPW5B	CPW5C

With fixing pins

POLES	WITHOUT EARTHING	EARTH A	EARTH B	EARTH C
3(2 + Earth)	CPW3S	CPW3SA	CPW3SB	CPW3SC
4(3 + Earth)	CPW4S	CPW4SA	CPW4SB	CPW4SC
5(4 + Earth)	CPW5S	CPW5SA	CPW5SB	CPW5SC

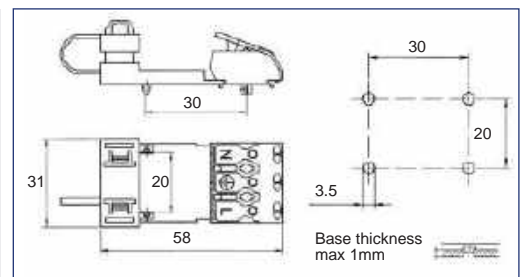




Strain relief

Product overview

- Clamps external conductors in lighting fixtures according to EN 60598
- Natural colour PA6
- Relieves strain on cables
- Prevents conductors from twisting
- Protects wire coating from abrasion and friction




PART NO.	TERMINAL STRIP
CSR6	CPW

Barrier strips

6.35mm (.260") pitch tri barrier PCB barrier strip

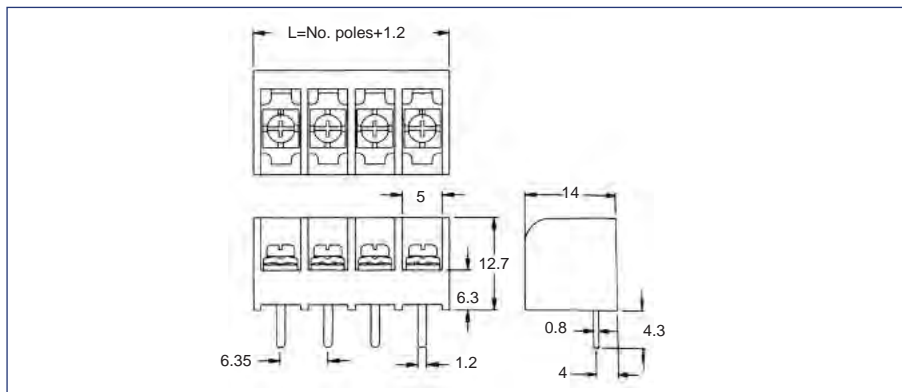
Product overview

- 2 to 12 poles
- Moulded in black UL94-V0 flame retardant PA66
- Rising saddle washer terminals
- Other terminal styles available on request
-  approved




SPECIFICATION	
Rating	10A/300V AC
Wire range	0.05 - 1.31mm ² (30-16AWG)
Working temperature	- 40°C to 120°C
Moulding	Black UL94-V0 PA66
Screw torque	1Nm (10lb-in)
Screw	M3.0, steel Ni plated
Terminal	Brass, tin plated
Withstand voltage	2000V AC
Insulation resistance	>5000MΩ @ 500VDC
Recommended PCB hole size	ø1.6mm - ø1.8mm

PART NO.	POLES	LENGTH
CBS40ST8/2	2	13.9mm
CBS40ST8/3	3	20.3mm
CBS40ST8/4	4	26.6mm
CBS40ST8/5	5	33mm
CBS40ST8/6	6	39.3mm
CBS40ST8/7	7	45.7mm
CBS40ST8/8	8	52mm
CBS40ST8/9	9	58.4mm
CBS40ST8/10	10	64.7mm
CBS40ST8/11	11	71.1mm
CBS40ST8/12	12	77.4mm



8.25mm (.325") pitch tri barrier PCB barrier strip

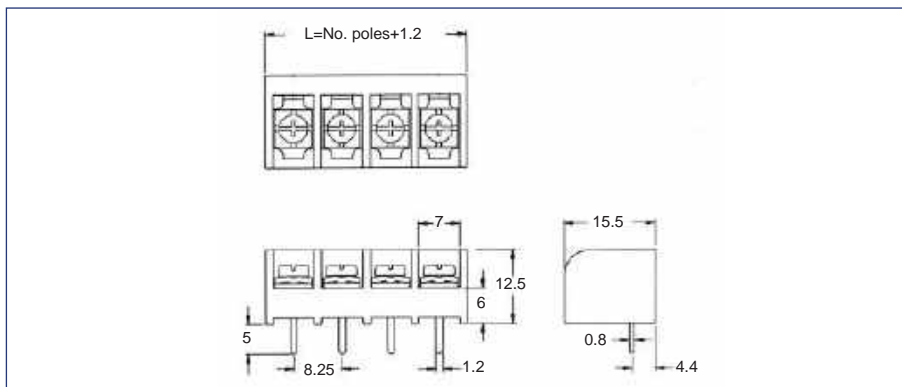
Product overview

- 2 to 12 poles
- Moulded in black UL94-V0 flame retardant PA66
- Rising saddle washer terminals
- Other terminal styles available on request
-  approved




SPECIFICATION	
Rating	15A/300V AC
Wire range	0.3 - 2mm ² (22-14AWG)
Working temperature	- 40°C to 120°C
Moulding	Black UL94-V0 PBT
Screw torque	1.35Nm (12lb-in)
Screw	M3.0, steel Ni plated
Terminal	Brass, tin plated
Withstand voltage	2000V AC
Insulation resistance	>5000MΩ @ 500VDC
Recommended PCB hole size	ø1.6mm - ø1.8mm

PART NO.	POLES	LENGTH
CBS42ST8/2	2	17.7mm
CBS42ST8/3	3	26mm
CBS42ST8/4	4	34.2mm
CBS42ST8/5	5	42.5mm
CBS42ST8/6	6	50.7mm
CBS42ST8/7	7	59mm
CBS42ST8/8	8	67.2mm
CBS42ST8/9	9	75.5mm
CBS42ST8/10	10	83.7mm
CBS42ST8/11	11	92mm
CBS42ST8/12	12	100mm



9.5mm (.374") pitch tri barrier PCB barrier strip

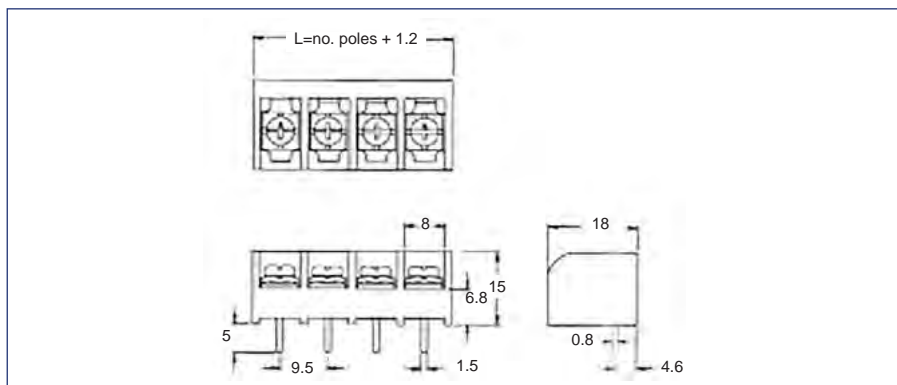
Product overview

- 2 to 12 poles
- Moulded in black UL94-V0 flame retardant PBT
- Rising saddle washer terminals available on request
- Other terminal styles available on request
-  approved



SPECIFICATION	
Rating	15A/300V AC
Wire range	0.3 - 2mm ² (22-14AWG)
Working temperature	- 40°C to 120°C
Moulding	Black UL94-V0 PBT
Screw torque	1.35Nm (12lb-in)
Screw	M3.5, steel Ni plated
Terminal	Brass, tin plated
Withstand voltage	2000V AC
Insulation resistance	>5000MΩ @ 500VDC
Recommended PCB hole size	ø2mm - ø2.2mm

PART NO.	POLES	LENGTH
CBS44ST8/2	2	20.4mm
CBS44ST8/3	3	29.4mm
CBS44ST8/4	4	39.4mm
CBS44ST8/5	5	48.9mm
CBS44ST8/6	6	58.4mm
CBS44ST8/7	7	67.9mm
CBS44ST8/8	8	77.4mm
CBS44ST8/9	9	86.9mm
CBS44ST8/10	10	96.4mm
CBS44ST8/11	11	106mm
CBS44ST8/12	12	115mm



9.5mm (.374") pitch dual barrier PCB barrier strip

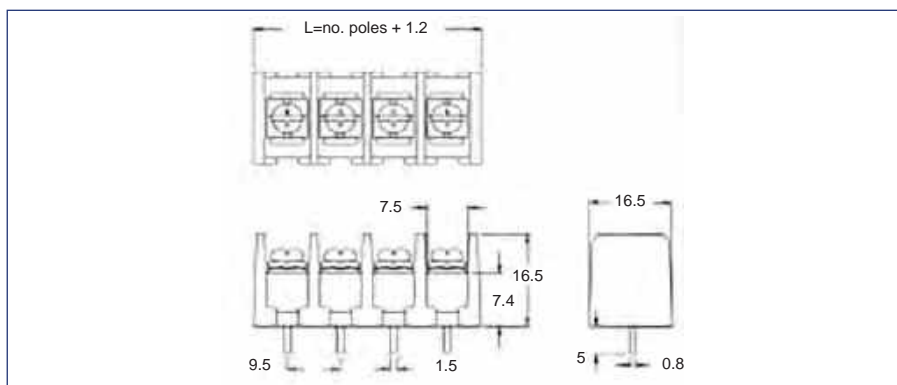
Product overview

- 2 to 12 poles
- Moulded in black UL94-V0 flame retardant PBT
- Rising saddle washer terminals available on request
- Other terminal styles available on request
-  approved




SPECIFICATION	
Rating	20A/300V AC
Wire range	0.3 - 3.3mm ² (22-14AWG)
Working temperature	- 40°C to 120°C
Moulding	Black UL94-V0 PBT
Screw torque	1.35Nm (12lb-in)
Screw	M3.5, steel Ni plated
Terminal	Brass, tin plated
Withstand voltage	2000V AC
Insulation resistance	>5000MΩ @ 500VDC
Recommended PCB hole size	ø2mm - ø2.2mm

PART NO.	POLES	LENGTH
CBS34ST8/2	2	21.5mm
CBS34ST8/3	3	31mm
CBS34ST8/4	4	40.5mm
CBS34ST8/5	5	50mm
CBS34ST8/6	6	59.5mm
CBS34ST8/7	7	69mm
CBS34ST8/8	8	78.5mm
CBS34ST8/9	9	88mm
CBS34ST8/10	10	97.5mm
CBS34ST8/11	11	107mm
CBS34ST8/12	12	117mm



9.5mm (.374") pitch dual barrier chassis mount barrier strip

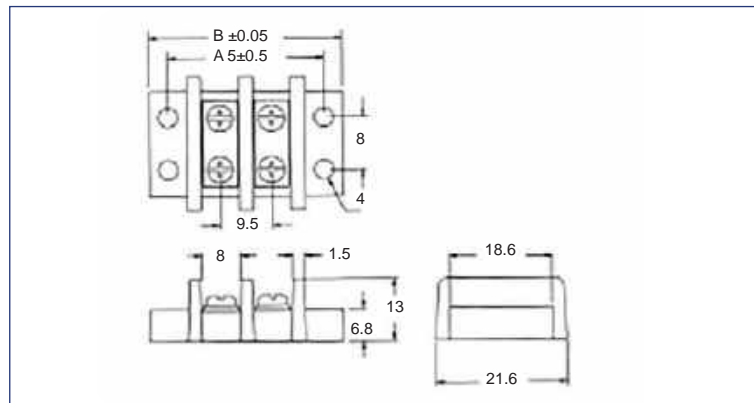
Product overview

- 2 to 12 poles
- Moulded in black UL94-V0 flame retardant polyamide
- Rising saddle washer terminals available on request
- Integral mounting holes
-  approved




SPECIFICATION	
Rating	20A/300V AC
Wire range	0.3 - 3.3mm ² (22-14AWG)
Working temperature	- 40°C to 105°C
Moulding	Black UL94-V0 Polyamide
Screw torque	1.35Nm (12lb-in)
Screw	M3.5, steel Ni plated
Terminal	Brass, tin plated
Withstand voltage	2000V AC
Insulation resistance	>5000MΩ @ 500VDC

PART NO.	POLES	MOUNTING PITCH (B)	LENGTH (A)
CBS64ST8/2	2	28.7mm	36.2mm
CBS64ST8/3	3	38.2mm	45.7mm
CBS64ST8/4	4	47.7mm	55.2mm
CBS64ST8/5	5	57.2mm	64.7mm
CBS64ST8/6	6	66.7mm	74.2mm
CBS64ST8/7	7	76.2mm	83.7mm
CBS64ST8/8	8	85.7mm	93.2mm
CBS64ST8/9	9	95.2mm	103mm
CBS64ST8/10	10	105mm	112mm
CBS64ST8/11	11	114mm	122mm
CBS64ST8/12	12	124mm	131mm



11mm (.433") pitch dual barrier chassis mount barrier strip

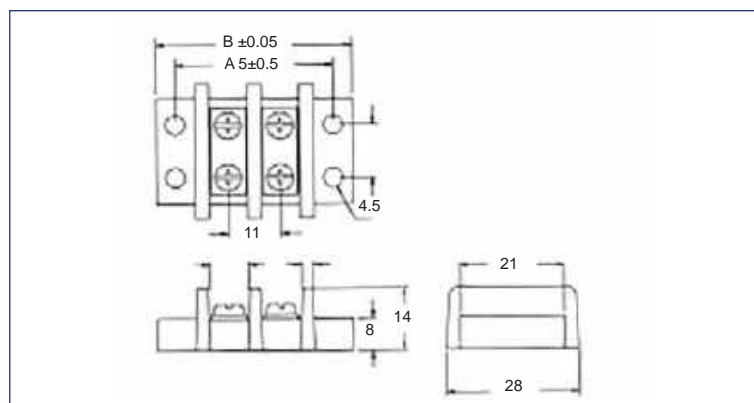
Product overview

- 2 to 12 poles
- Moulded in black UL94-V0 flame retardant polyamide
- Rising saddle washer terminals available on request
- Integral mounting holes
-  approved



SPECIFICATION	
Rating	25A/300V AC
Wire range	0.3 - 2mm ² (22-14AWG)
Working temperature	- 40°C to 105°C
Moulding	Black UL94-V0 polyamide
Screw torque	1.35Nm (12lb-in)
Screw	6-32, steel Ni plated
Terminal	Brass, tin plated
Withstand voltage	2000V AC
Insulation resistance	>5000MΩ @ 500VDC

PART NO.	POLES	MOUNTING PITCH (B)	LENGTH (A)
CBS66ST8/2	2	32.4mm	41.2mm
CBS66ST8/3	3	43.5mm	52.3mm
CBS66ST8/4	4	54.6mm	63.4mm
CBS66ST8/5	5	65.7mm	74.5mm
CBS66ST8/6	6	76.8mm	85.6mm
CBS66ST8/7	7	87.9mm	96.7mm
CBS66ST8/8	8	99mm	108mm
CBS66ST8/9	9	110mm	119mm
CBS66ST8/10	10	121mm	130mm
CBS66ST8/11	11	132mm	141mm
CBS66ST8/12	12	143mm	152mm

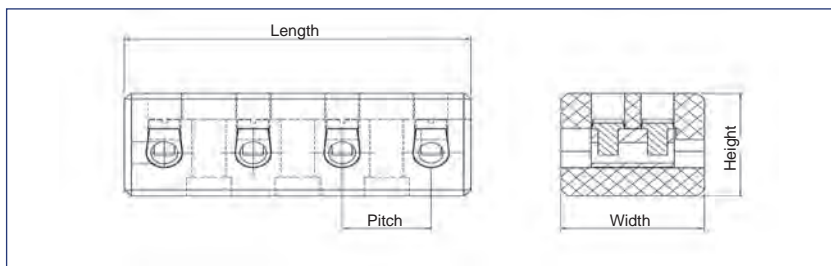


High temperature resistant connection blocks

Product overview

- Porcelain body rated to 1000°C
- Inserts rated to 350°C
- 1 to 4 poles available
- 3, 3.5, 4.4 and 6mm insert diameter sizes
- CE approved

SPECIFICATION	
Voltage (max)	450V AC
Working temperature	5°C to 350°C
Insulating body	Porcelain (DIN 40685)
Insert	Nickel-plated brass
Screws	Zinc-plated steel CQ-15



POLES	POLES	MAX. CURRENT	INSERT DIAMETER	MAX. CONDUCTOR: RIGID	MAX. CONDUCTOR: FLEXIBLE	LENGTH	WIDTH	HEIGHT	MOUNTING HOLE SIZE DIAMETER	MOUNTING HOLE SIZE SCREW HEAD	TERMINAL: PITCH	SCREWS
CHTB4/1N	1	32A	3mm	4mm ²	4mm ²	10mm	18mm	17mm	N/A	N/A	N/A	M2.6
CHTB4/2N	2	32A	3mm	4mm ²	4mm ²	21.5mm	18mm	17mm	4.5mm	6.9mm	11.5mm	M2.6
CHTB4/3N	3	32A	3mm	4mm ²	4mm ²	33mm	18mm	17mm	4.5mm	6.9mm	11.5mm	M2.6
CHTB4/4N	4	32A	3mm	4mm ²	4mm ²	44.5mm	18mm	17mm	4.5mm	6.9mm	11.5mm	M2.6
CHTB6/1N	1	41A	3.5mm	6mm ²	4mm ²	11mm	20mm	17.5mm	N/A	N/A	N/A	M3
CHTB6/2N	2	41A	3.5mm	6mm ²	4mm ²	23.5mm	20mm	17.5mm	4.5mm	7.5mm	12.5mm	M3
CHTB6/3N	3	41A	3.5mm	6mm ²	4mm ²	36mm	20mm	17.5mm	4.5mm	7.5mm	12.5mm	M3
CHTB6/4N	4	41A	3.5mm	6mm ²	4mm ²	48.5mm	20mm	17.5mm	4.5mm	7.5mm	12.5mm	M3
CHTB10/1N	1	57A	4.4mm	10mm ²	6mm ²	12mm	22mm	18mm	N/A	N/A	N/A	M3.5
CHTB10/2N	2	57A	4.4mm	10mm ²	6mm ²	26mm	22mm	18mm	5mm	8.5mm	14mm	M3.5
CHTB10/3N	3	57A	4.4mm	10mm ²	6mm ²	40mm	22mm	18mm	5mm	8.5mm	14mm	M3.5
CHTB10/4N	4	57A	4.4mm	10mm ²	6mm ²	54mm	22mm	18mm	5mm	8.5mm	14mm	M3.5
CHTB16/1N	1	76A	6mm	16mm ²	10mm ²	16mm	30mm	23mm	N/A	N/A	N/A	M4
CHTB16/2N	2	76A	6mm	16mm ²	10mm ²	34mm	30mm	23mm	5mm	9mm	17.5mm	M4
CHTB16/3N	3	76A	6mm	16mm ²	10mm ²	52mm	30mm	23mm	5mm	9mm	17.5mm	M4
CHTB16/4N	4	76A	6mm	16mm ²	10mm ²	70mm	30mm	23mm	5mm	9mm	17.5mm	M4

WIRE TO BOARD CONNECTORS

2.5mm and 5.08mm pitch headers and connector housings, ideal for installed PCBs in boiler controls and HVAC applications.



2.5mm pitch PCB mounting crimp connectors **96**



5.08mm pitch PCB mounting crimp connectors **98**

002
PCB TERMINAL BLOCKS

081
TERMINAL STRIPS

095
WIRE TO BOARD CONNECTORS

100
CIRCULAR CONNECTORS

151
IP68 CONNECTORS

158
INTERFACE MODULES AND RELAY BASES

CONNECT

95



002 PCB TERMINAL BLOCKS

081 TERMINAL STRIPS

095 WIRE TO BOARD CONNECTORS

100 CIRCULAR CONNECTORS

151 IP68 CONNECTORS

158 INTERFACE MODULES AND RELAY BASES

CONNECT

96

2.5mm pitch PCB mounting crimp connectors

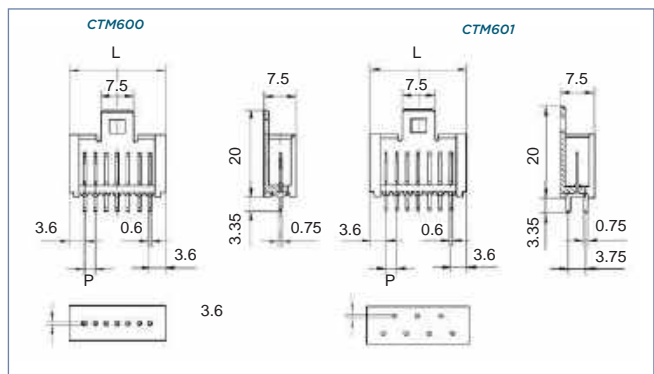
Product overview

- Ideal for installed PCB's in boiler controls, HVAC
- Polarised to avoid mis-mating
- Vertical headers
- 2 to 20 poles
- Staggered pin header available (CTM601)
- Two sizes of crimp contact

SPECIFICATION	
Rating (male connectors)	125V/6A
Working temperature	110°C
Moulding	Grey UL94-V0 flame retardant PA
Contact Male Female	Tinned, nickel plated brass Tinned brass
Wire strip length	4mm

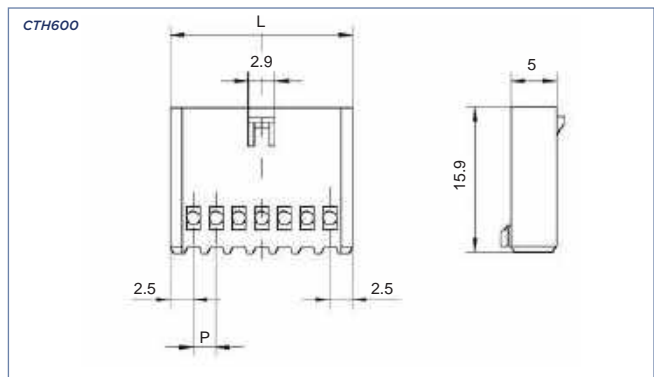
PCB mounting male

PART NO.	POLES	LENGTH	PART	POLES	LENGTH
CTM600/2	2	12.2mm	CTM601/2	2	12.2mm
CTM600/3	3	14.7mm	CTM601/3	3	14.7mm
CTM600/4	4	17.2mm	CTM601/4	4	17.2mm
CTM600/5	5	19.7mm	CTM601/5	5	19.7mm
CTM600/6	6	22.2mm	CTM601/6	6	22.2mm
CTM600/7	7	24.7mm	CTM601/7	7	24.7mm
CTM600/8	8	27.2mm	CTM601/8	8	27.2mm
CTM600/9	9	29.7mm	CTM601/9	9	29.7mm
CTM600/10	10	32.2mm	CTM601/10	10	32.2mm
CTM600/11	11	34.4mm	CTM601/11	11	34.4mm
CTM600/12	12	37.2mm	CTM601/12	12	37.2mm
CTM600/13	13	39.7mm	CTM601/13	13	39.7mm
CTM600/14	14	42.2mm	CTM601/14	14	42.2mm
CTM600/15	15	44.7mm	CTM601/15	15	44.7mm
CTM600/16	16	47.2mm	CTM601/16	16	47.2mm
CTM600/17	17	49.7mm	CTM601/17	17	49.7mm
CTM600/18	18	52.2mm	CTM601/18	18	52.2mm
CTM600/19	19	54.7mm	CTM601/19	19	54.7mm
CTM600/20	20	57.2mm	CTM601/20	20	57.2mm



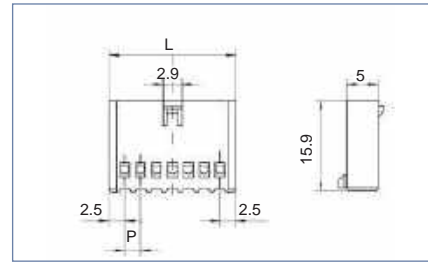
Female housing

PART NO.	POLES	LENGTH
CTH600/2	2	12.2mm
CTH600/3	3	14.7mm
CTH600/4	4	17.2mm
CTH600/5	5	19.7mm
CTH600/6	6	22.2mm
CTH600/7	7	24.7mm
CTH600/8	8	27.2mm
CTH600/9	9	29.7mm
CTH600/10	10	32.2mm
CTH600/11	11	34.4mm
CTH600/12	12	37.2mm
CTH600/13	13	39.7mm
CTH600/14	14	42.2mm
CTH600/15	15	44.7mm
CTH600/16	16	47.2mm
CTH600/17	17	49.7mm
CTH600/18	18	52.2mm
CTH600/19	19	54.7mm
CTH600/20	20	57.2mm

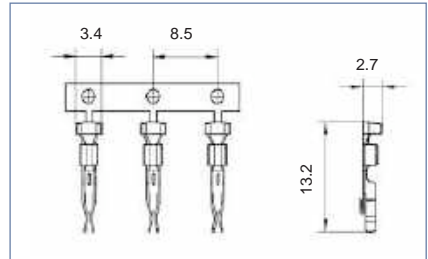


Crimps

PART NO.	RATING	WIRE SIZE
CTC600	6A	0.2 - 0.35mm ² 24- 22AWG



PART NO.	RATING	WIRE SIZE
CTC750	7.5A	0.2 - 0.5mm ² 24- 20AWG



002
PCB TERMINAL
BLOCKS

081
TERMINAL STRIPS

095
WIRE TO BOARD
CONNECTORS

100
CIRCULAR
CONNECTORS

151
IP68 CONNECTORS

158
INTERFACE
MODULES AND
RELAY BASES



002 PCB TERMINAL BLOCKS

081 TERMINAL STRIPS

095 WIRE TO BOARD CONNECTORS

100 CIRCULAR CONNECTORS

151 IP68 CONNECTORS

158 INTERFACE MODULES AND RELAY BASES

5.08mm pitch PCB mounting crimp connectors

Product overview

- Ideal for installed PCB's in boiler controls, HVAC
- Polarised to avoid mis-mating
- Vertical headers
- 2 to 8 poles

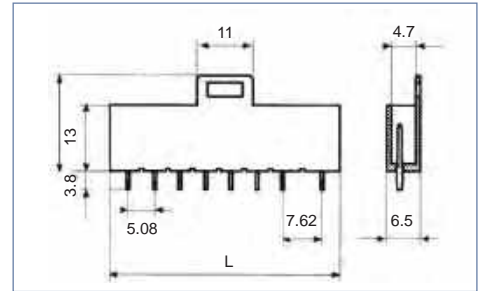
SPECIFICATION

Rating (male connectors)	125V/6A
Working temperature	110°C
Moulding	Grey UL94-V0 flame retardant PA
Contact male	Tinned, nickel plated brass
Contact female	Tinned brass
Wire strip length	4mm

Male housing

PART NO	POLES	LENGTH
CTM1300/2	2	15.1mm
CTM1300/3	3	20.2mm
CTM1300/4	4	25.3mm
CTM1300/5	5	30.4mm
CTM1300/6	6	35.5mm
CTM1300/7	7	40.5mm
CTM1300/8	8	45.6mm

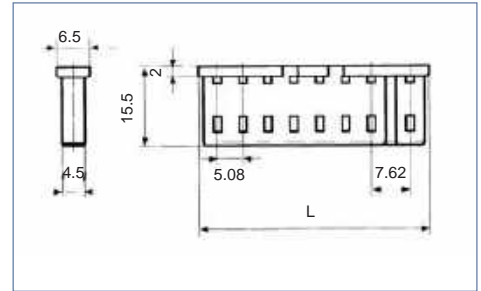
CTM1300



Female housing

PART NO	POLES	LENGTH
CTH1300/2	2	12.2mm
CTH1300/3	3	14.7mm
CTH1300/4	4	17.2mm
CTH1300/5	5	19.7mm
CTH1300/6	6	22.2mm
CTH1300/7	7	24.7mm
CTH1300/8	8	27.2mm

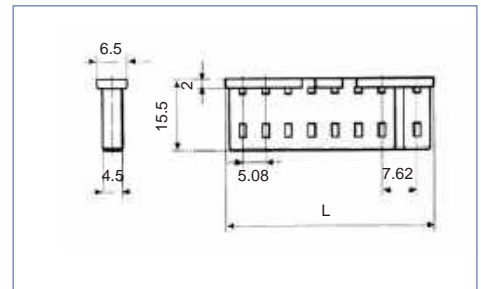
CTH1300



Crimps

PART NO	RATING	WIRE SIZE
CTC1300	4A	0.05 - 1.3mm ² 30- 16AWG

CTC1300





CAMDENBOSS

ACCREDITATION TO STRINGENT COMPLIANCE CRITERIA. AN EASY STATEMENT TO MAKE

At CamdenBoss we're proud of our products and design capabilities. Our reputation is hard earned and fiercely protected. It's a reputation based on 50+ years of supplying e-mech components and enclosures to fire, alarm and safety monitoring businesses worldwide.

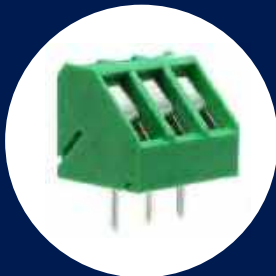
The true validation of our offering comes from the customers in these industries 'designing in', specifying and purchasing our products.

Accreditation from UL and VDE are key acceptance criteria for our terminal blocks along with IP ratings for our enclosures and connectors. It's this standard of quality that has customers choosing CamdenBoss every time.



Our high temperature resistant connection blocks are rated up-to 1000°C. The safest and most reliable option for any application.

See page 94



Our range of terminal blocks carry UL listing and, where appropriate, VDE accreditation; assuring compliance to rigorous fire safety standards.

See pages 1-79

Associated products:

Fuses pages 226-249

89 series terminal block junction box page 338

Room sensor enclosures page 367



Call our sales team on 01638 716101



002
PCB TERMINAL
BLOCKS

081
TERMINAL STRIPS

095
WIRE TO BOARD
CONNECTORS

100
CIRCULAR
CONNECTORS

151
IP68 CONNECTORS

158
INTERFACE
MODULES AND
RELAY BASES

CIRCULAR CONNECTORS - PLUGS NEW

CamCirc is the interconnect solution from CamdenBoss that can take on the elements and withstand the worst of nature. 'WEATHER' your application be military, industrial, auto-sport, medical or marine, CamCirc will perform where other products often fail. From the glamour of the broadcasting world, to the tough demands of the agricultural and construction machinery industries, our CamCirc range keeps you connected against the elements!

		
A1 size cable mount plug 3 pole 102	A1 size cable mount plug 4 pole 103	A1 size cable mount plug 5 pole 104
		
A1 size cable mount plug 7 pole 105	A1 size cable mount plug 9 pole 106	A2 size cable mount plug 3 pole 107
		
A2 size cable mount plug 4 pole 108	A2 size cable mount plug 5 pole 109	A2 size cable mount plug 6 pole 110
		
A2 size cable mount plug 7 pole 111	A2 size cable mount plug 8 pole 112	A3 size cable mount plug 10 pole 113

CONNECT





002
PCB TERMINAL
BLOCKS

081
TERMINAL STRIPS

095
WIRE TO BOARD
CONNECTORS

100
CIRCULAR
CONNECTORS

151
IP68 CONNECTORS

158
INTERFACE
MODULES AND
RELAY BASES



A3 size cable
mount plug
12 pole

114



A3 size cable
mount plug
19 pole

115



A4 size cable
mount plug
16 pole

116



A4 size cable
mount plug
19 pole

117





002

PCB TERMINAL
BLOCKS

081

TERMINAL STRIPS

095

WIRE TO BOARD
CONNECTORS

100

CIRCULAR
CONNECTORS

151

IP68 CONNECTORS

158

INTERFACE
MODULES AND
RELAY BASES

Push-pull connectors cable mounted plug CCA1 series



CCA1P1/A03 3 pole

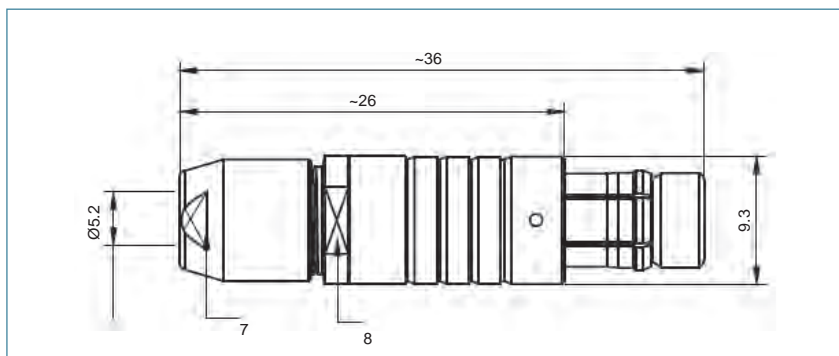
- Premium range of circular connectors
- IP68 sealed using vacuum technology (when connected and using environmental cable clamp)
- Tough, high performance interconnection solution
- Ideal for harsh and extreme environments
- Suitable for broadcasting, motorsport, military, rail, marine, security, industrial and agricultural applications
- Key coded to prevent misconnection
- Will not disconnect when the cable is under load or stress
- Tested to IEC 60512-3-5a

CCA1P1/A03



PART NO.	DESCRIPTION	POLES	SERIES
CCA1P1/A03	Cable mounted plug	3	CCA series

SPECIFICATION	
Shell style/model	Cable mounted straight plug, male contact
Codes	Code 1
Contact type	Solder type
Contact diameter	0.9mm
Max. stranded conductor	AWG 21-22
Max diameter	0.79mm
Vtest (contact-shell)	1300V(AC) 1800V(DC)
Vtest (contact-contact)	1300V(AC) 1600V(DC)
Rated current	8.2A
Rated voltage	≤250V
Mechanical operation	5000 mating cycles
Housing material	Brass (natural chrome plated) shell and collet nut, nickel plated brass latch sleeve and mid pieces
Insulator	PPS
Contacts	Brass (gold plated)
Humidity (max)	<=95% [at 60°C /140°F]
Vibration	15g [10 Hz - 2000 Hz]
Shock resistance	100g [6 ms]
Salt spray corrosion	>72 hr
Climatical category	50/175/21
Shielding (min)	75 dB (10 MHz)
Shielding (min)	40 dB (1 GHz)
IP rating	IP68 (when connected and using environmental cable clamp)

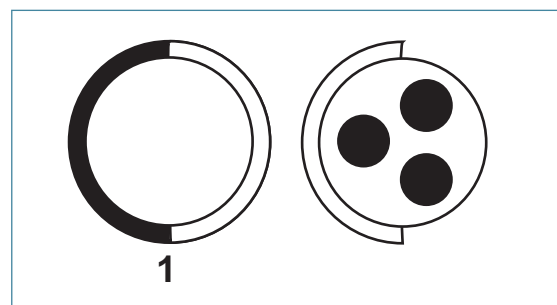


This product should be used with the following cable clamps:

PART NO.	WIRE RANGE
CCVIC/CC	2.6 - 3.1mm
CCVIC/CD	3.1-3.6mm
CCVIC/CE	3.6-4.1mm
CCVIC/CF	4.1-4.3mm



Non IP68 cable clamps also available



ACCESSORIES

Metal cap for plugs

PART NO.	DESCRIPTION
CCA12	Camcirc metal cap for plug A1



ASSOCIATED PRODUCTS

CCM1S1/03	-CCM series A1 size socket	page 122
CB1S1/03	-CCB series A1 size socket	page 131
CCE1S1/03	-CCE series A1 size socket	page 140
CCT1S1/03	-CCT series A1 size socket	page 146



Push-pull connectors cable mounted plug CCA1 series



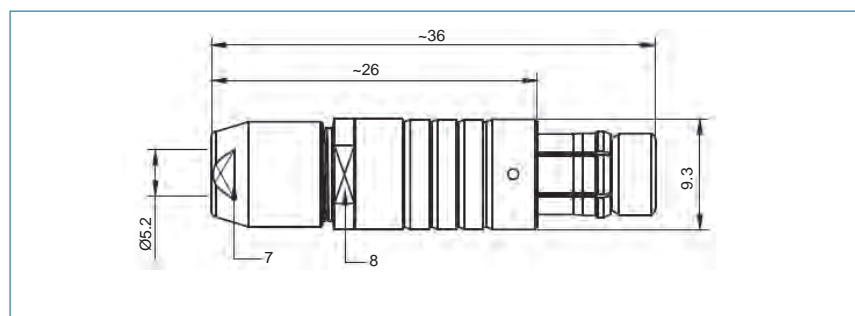
CCA1P1/A04 4 pole

- Premium range of circular connectors
- IP68 sealed using vacuum technology (when connected and using environmental cable clamp)
- Tough, high performance interconnection solution
- Ideal for harsh and extreme environments
- Suitable for broadcasting, autosport, military, rail, marine, security, industrial and agricultural applications
- Key coded to prevent misconnection
- Will not disconnect when the cable is under load or stress
- Tested to IEC 60512-3-5a



PART NO.	DESCRIPTION	POLES	SERIES
CCA1P1/A04	Cable mounted plug	4	CCA series

SPECIFICATION	
Shell style/model	Cable mounted straight plug, male contact
Codes	Code 1
Contact type	Solder type
Contact diameter	0.7mm
Max. stranded conductor	AWG 21-22
Max diameter	0.79mm
Vtest (contact-shell)	1200V(AC) 1800V(DC)
Vtest (contact-contact)	1200V(AC) 1600V(DC)
Rated current	5.5A
Rated voltage	≤200V
Mechanical operation	5000 mating cycles
Housing material	Brass (natural chrome plated) shell and collet nut, nickel plated brass latch sleeve and mid pieces
Insulator	PPS
Contacts	Brass (gold plated)
Humidity (max)	<=95% [at 60°C /140°F]
Vibration	15g [10 Hz - 2000 Hz]
Shock resistance	100g [6 ms]
Salt spray corrosion	>72 hr
Climatical category	50/175/21
Shielding (min)	75 dB (10 MHz)
Shielding (min)	40 dB (1 GHz)
IP rating	IP68 (when connected and using environmental cable clamp)

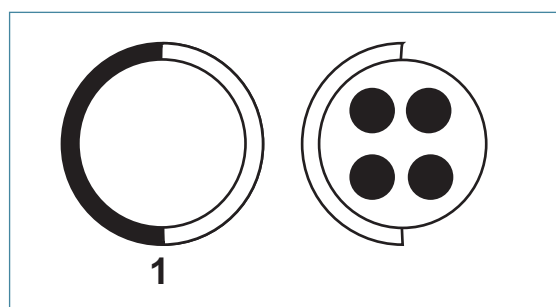


This product should be used with the following cable clamps:

PART NO.	WIRE RANGE
CCVIC/CC	2.6 - 3.1mm
CCVIC/CD	3.1-3.6mm
CCVIC/CE	3.6-4.1mm
CCVIC/CF	4.1-4.3mm



Non IP68 cable clamps also available



ACCESSORIES

Metal cap for plugs

PART NO.	DESCRIPTION
CCA12	Camcirk metal cap for plug A1



ASSOCIATED PRODUCTS

CCB1S1/04	-CCB series A1 size socket	page 132
CCS1S1/04	-CCS series A1 size socket	page 145





002

PCB TERMINAL
BLOCKS

081

TERMINAL STRIPS

095

WIRE TO BOARD
CONNECTORS

100

CIRCULAR
CONNECTORS

151

IP68 CONNECTORS

158

INTERFACE
MODULES AND
RELAY BASES

Push-pull connectors cable mounted plug CCA1 series



CCA1P1/A05 5 pole

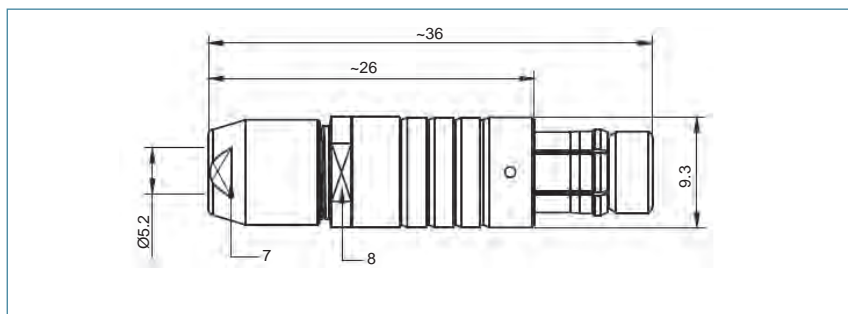
- Premium range of circular connectors
- IP68 sealed using vacuum technology (when connected and using environmental cable clamp)
- Tough, high performance interconnection solution
- Ideal for harsh and extreme environments
- Suitable for broadcasting, motorsport, military, rail, marine, security, industrial and agricultural applications
- Key coded to prevent misconnection
- Will not disconnect when the cable is under load or stress
- Tested to IEC 60512-3-5a

CCA1P1/A05



PART NO.	DESCRIPTION	POLES	SERIES
CCA1P1/A05	Cable mounted plug	5	CCA series

SPECIFICATION	
Shell style/model	Cable mounted straight plug, male contact
Codes	Code 1
Contact type	Solder type
Contact diameter	0.7mm
Max. stranded conductor	AWG 21-22
Max diameter	0.79mm
Vtest (contact-shell)	800V(AC) 1300V(DC)
Vtest (contact-contact)	1000V(AC) 1800V(DC)
Rated current	5.2A
Rated voltage	≤160V
Mechanical operation	5000 mating cycles
Housing material	Brass (natural chrome plated) shell and collet nut, nickel plated brass latch sleeve and mid pieces
Insulator	PPS
Contacts	Brass (gold plated)
Humidity (max)	<=95% [at 60°C /140°F]
Vibration	15g [10 Hz - 2000 Hz]
Shock resistance	100g [6 ms]
Salt spray corrosion	>72 hr
Climatical category	50/175/21
Shielding (min)	75 dB (10 MHz)
Shielding (min)	40 dB (1 GHz)
IP rating	IP68 (when connected and using environmental cable clamp)

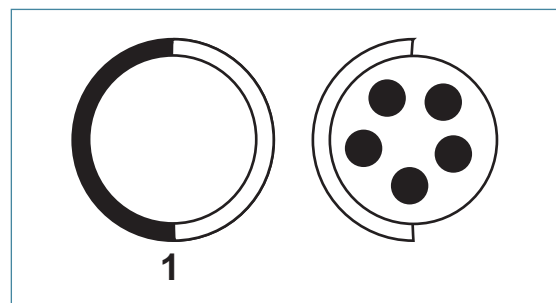


This product should be used with the following cable clamps:

PART NO.	WIRE RANGE
CCVIC/CC	2.6 - 3.1mm
CCVIC/CD	3.1-3.6mm
CCVIC/CE	3.6-4.1mm
CCVIC/CF	4.1-4.3mm



Non IP68 cable clamps also available



ACCESSORIES

Metal cap for plugs

PART NO.	DESCRIPTION
CCA12	Camcircular metal cap for plug A1



ASSOCIATED PRODUCTS

CCE1S1/05	-CCM series A1 size socket	page 123
CCM1S1/05	-CCE series A1 size socket	page 141
CCT1S1/05	-CCT series A1 size socket	page 147



Push-pull connectors cable mounted plug CCA1 series



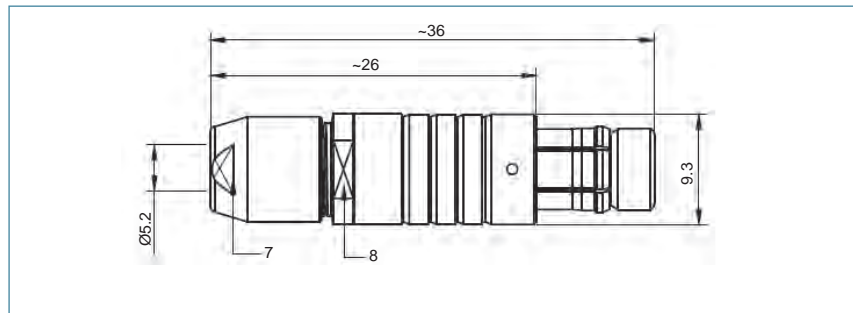
CCA1P1/A07 7 pole

- Premium range of circular connectors
- IP68 sealed using vacuum technology (when connected and using environmental cable clamp)
- Tough, high performance interconnection solution
- Ideal for harsh and extreme environments
- Suitable for broadcasting, autosport, military, rail, marine, security, industrial and agricultural applications
- Key coded to prevent misconnection
- Will not disconnect when the cable is under load or stress
- Tested to IEC 60512-3-5a



PART NO.	DESCRIPTION	POLES	SERIES
CCA1P1/A07	Cable mounted plug	7	CCA series

SPECIFICATION	
Shell style/model	Cable mounted straight plug, male contact
Codes	Code 1
Contact type	Solder type
Contact diameter	0.5mm
Max. stranded conductor	AWG 26-28
Max diameter	0.43mm
Vtest (contact-shell)	800V(AC) 1300V(DC)
Vtest (contact-contact)	1000V(AC) 1800V(DC)
Rated current	2A
Rated voltage	≤160V
Mechanical operation	5000 mating cycles
Housing material	Brass (natural chrome plated) shell and collet nut, nickel plated brass latch sleeve and mid pieces
Insulator	PPS
Contacts	Brass (gold plated)
Humidity (max)	<=95% [at 60°C /140°F]
Vibration	15g [10 Hz - 2000 Hz]
Shock resistance	100g [6 ms]
Salt spray corrosion	>72 hr
Climatical category	50/175/21
Shielding (min)	75 dB (10 MHz)
Shielding (min)	40 dB (1 GHz)
IP rating	IP68 (when connected and using environmental cable clamp)

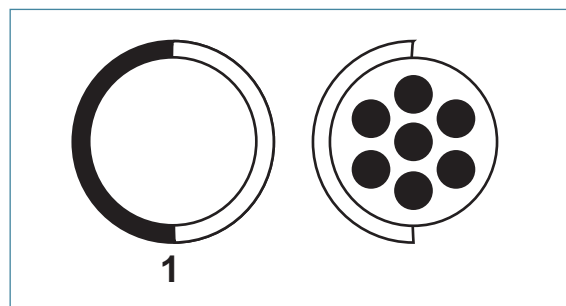


This product should be used with the following cable clamps:

PART NO.	WIRE RANGE
CCVIC/CC	2.6 - 3.1mm
CCVIC/CD	3.1-3.6mm
CCVIC/CE	3.6-4.1mm
CCVIC/CF	4.1-4.3mm



Non IP68 cable clamps also available



ACCESSORIES

Metal cap for plugs

PART NO.	DESCRIPTION
CCA12	Camcirc metal cap for plug A1



ASSOCIATED PRODUCTS

CCM1S1/07	-CCM series A1 size socket	page 124
CCE1S1/07	-CCE series A1 size socket	page 142
CCT1S1/07	-CCT series A1 size socket	page 148





002

PCB TERMINAL
BLOCKS

081

TERMINAL STRIPS

095

WIRE TO BOARD
CONNECTORS

100

CIRCULAR
CONNECTORS

151

IP68 CONNECTORS

158

INTERFACE
MODULES AND
RELAY BASES

Push-pull connectors cable mounted plug CCA1 series



CCA1P1/A09 9 pole

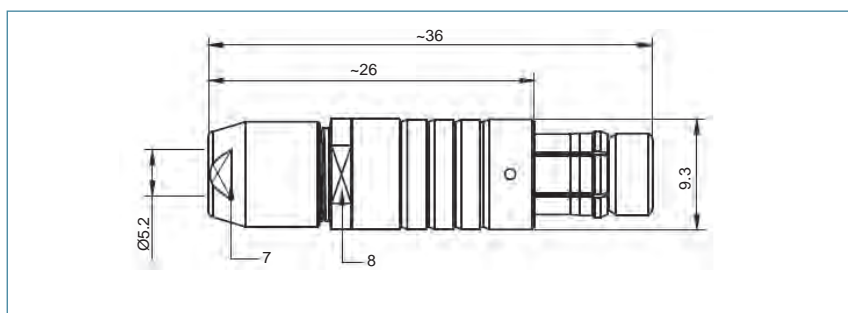
- Premium range of circular connectors
- IP68 sealed using vacuum technology (when connected and using environmental cable clamp)
- Tough, high performance interconnection solution
- Ideal for harsh and extreme environments
- Suitable for broadcasting, motorsport, military, rail, marine, security, industrial and agricultural applications
- Key coded to prevent misconnection
- Will not disconnect when the cable is under load or stress
- Tested to IEC 60512-3-5a

CCA1P1/A09



PART NO.	DESCRIPTION	POLES	SERIES
CCA1P1/A09	Cable mounted plug	9	CCA series

SPECIFICATION	
Shell style/model	Cable mounted straight plug, male contact
Codes	Code 1
Contact type	Solder type
Contact diameter	0.5mm
Max. stranded conductor	AWG 26-28
Max diameter	0.43mm
Vtest (contact-shell)	800V(AC) 1200V(DC)
Vtest (contact-contact)	1100V(AC) 1800V(DC)
Rated current	1.7A
Rated voltage	≤160V
Mechanical operation	5000 mating cycles
Housing material	Brass (natural chrome plated) shell and collet nut, nickel plated brass latch sleeve and mid pieces
Insulator	PPS
Contacts	Brass (gold plated)
Humidity (max)	<=95% [at 60°C /140°F]
Vibration	15g [10 Hz - 2000 Hz]
Shock resistance	100g [6 ms]
Salt spray corrosion	>72 hr
Climatical category	50/175/21
Shielding (min)	75 dB (10 MHz)
Shielding (min)	40 dB (1 GHz)
IP rating	IP68 (when connected and using environmental cable clamp)

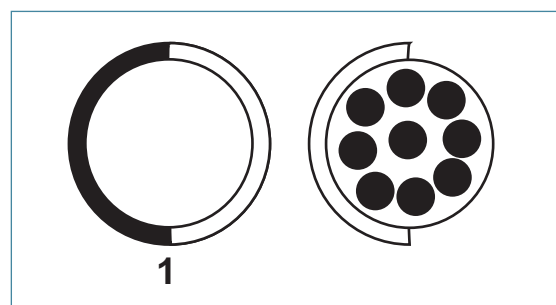


This product should be used with the following cable clamps:

PART NO.	WIRE RANGE
CCVIC/CC	2.6 - 3.1mm
CCVIC/CD	3.1-3.6mm
CCVIC/CE	3.6-4.1mm
CCVIC/CF	4.1-4.3mm



Non IP68 cable clamps also available



ACCESSORIES

Metal cap for plugs

PART NO.	DESCRIPTION
CCA12	Camcirc metal cap for plug A1



ASSOCIATED PRODUCTS

CCM1S1/09

-CCM series A1 size socket

page 125



Push-pull connectors cable mounted plug CCA2 series



002
PCB TERMINAL
BLOCKS

081
TERMINAL STRIPS

095
WIRE TO BOARD
CONNECTORS

100
CIRCULAR
CONNECTORS

151
IP68 CONNECTORS

158
INTERFACE
MODULES AND
RELAY BASES

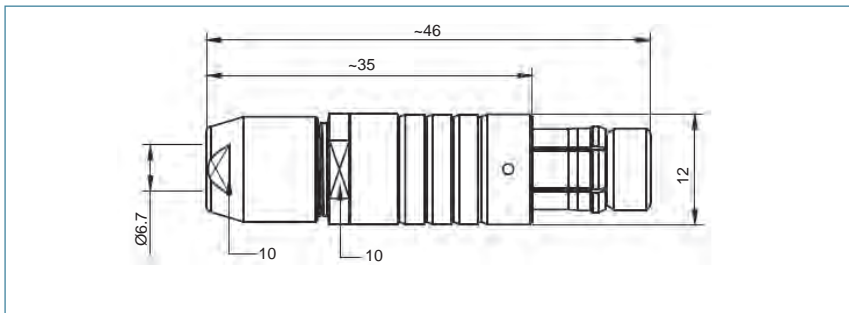
CCA2P1/A03 3 pole

- Premium range of circular connectors
- IP68 sealed using vacuum technology (when connected and using environmental cable clamp)
- Tough, high performance interconnection solution
- Ideal for harsh and extreme environments
- Suitable for broadcasting, autosport, military, rail, marine, security, industrial and agricultural applications
- Key coded to prevent misconnection
- Will not disconnect when the cable is under load or stress
- Tested to IEC 60512-3-5a



PART NO.	DESCRIPTION	POLES	SERIES
CCA2P1/A03	Cable mounted plug	3	CCA series

SPECIFICATION	
Shell style/model	Cable mounted straight plug, male contact
Codes	Code 1
Contact type	Solder type
Contact diameter	1.18mm
Max. stranded conductor	AWG 17-18
Max diameter	0.43mm
Vtest (contact-shell)	1200V(AC) 1800V(DC)
Vtest (contact-contact)	1500V(AC) 2000V(DC)
Rated current	12A
Rated voltage	≤250V
Mechanical operation	5000 mating cycles
Housing material	Brass (natural chrome plated) shell and collet nut, nickel plated brass latch sleeve and mid pieces
Insulator	PPS
Contacts	Brass (gold plated)
Humidity (max)	<=95% [at 60°C /140°F]
Vibration	15g [10 Hz - 2000 Hz]
Shock resistance	100g [6 ms]
Salt spray corrosion	>72 hr
Climatical category	50/175/21
Shielding (min)	75 dB (10 MHz)
Shielding (min)	40 dB (1 GHz)
IP rating	IP68 (when connected and using environmental cable clamp)

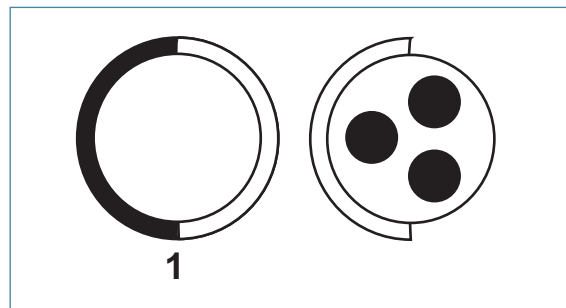


This product should be used with the following cable clamps:

PART NO.	WIRE RANGE
CCV2C/CE	3.7 - 4.2mm
CCV2C/CG	4.2 - 4.7mm
CCV2C/CH	4.7 - 5.2mm
CCV2C/CI	5.2 - 5.7mm
CCV2C/CJ	5.7 - 6.2mm



Non IP68 cable clamps also available



ACCESSORIES

Metal cap for plugs

PART NO.	DESCRIPTION
CCA22	Camcirc metal cap for plug A2



ASSOCIATED PRODUCTS

CCB2S1/03

-CCB series A2 size socket

page 133





002

PCB TERMINAL
BLOCKS

081

TERMINAL STRIPS

095

WIRE TO BOARD
CONNECTORS

100

CIRCULAR
CONNECTORS

151

IP68 CONNECTORS

158

INTERFACE
MODULES AND
RELAY BASES

Push-pull connectors cable mounted plug CCA2 series



CCA2P1/A04 4 pole

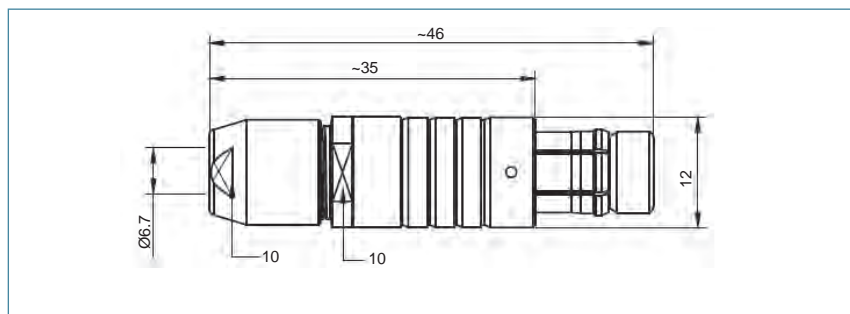
- Premium range of circular connectors
- IP68 sealed using vacuum technology (when connected and using environmental cable clamp)
- Tough, high performance interconnection solution
- Ideal for harsh and extreme environments
- Suitable for broadcasting, motorsport, military, rail, marine, security, industrial and agricultural applications
- Key coded to prevent misconnection
- Will not disconnect when the cable is under load or stress
- Tested to IEC 60512-3-5a

CCA2P1/A04



PART NO.	DESCRIPTION	POLES	SERIES
CCA2P1/A04	Cable mounted plug	4	CCA series

SPECIFICATION	
Shell style/model	Cable mounted straight plug, male contact
Codes	Code 1
Contact type	Solder type
Contact diameter	0.09mm
Max. stranded conductor	AWG 21-22
Max diameter	0.79mm
Vtest (contact-shell)	1200V(AC) 2000V(DC)
Vtest (contact-contact)	1600V(AC) 2400V(DC)
Rated current	7A
Rated voltage	≤250V
Mechanical operation	5000 mating cycles
Housing material	Brass (natural chrome plated) shell and collet nut, nickel plated brass latch sleeve and mid pieces
Insulator	PPS
Contacts	Brass (gold plated)
Humidity (max)	<=95% [at 60°C /140°F]
Vibration	15g [10 Hz - 2000 Hz]
Shock resistance	100g [6 ms]
Salt spray corrosion	>72 hr
Climatical category	50/175/21
Shielding (min)	75 dB (10 MHz)
Shielding (min)	40 dB (1 GHz)
IP rating	IP68 (when connected and using environmental cable clamp)

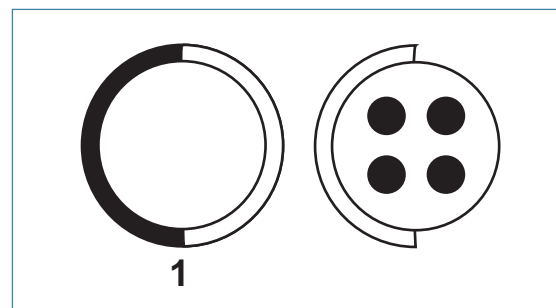


This product should be used with the following cable clamps:

PART NO.	WIRE RANGE
CCV2C/CE	3.7 - 4.2mm
CCV2C/CG	4.2 - 4.7mm
CCV2C/CH	4.7 - 5.2mm
CCV2C/CI	5.2 - 5.7mm
CCV2C/CJ	5.7 - 6.2mm



Non IP68 cable clamps also available



ACCESSORIES

Metal cap for plugs

PART NO.	DESCRIPTION
CCA22	Camcirc metal cap for plug A2



ASSOCIATED PRODUCTS

CCB2S1/04	-CCB series A2 size socket	page 134
CCD2S1/04	-CCD series A2 size socket	page 144



Push-pull connectors cable mounted plug CCA2 series



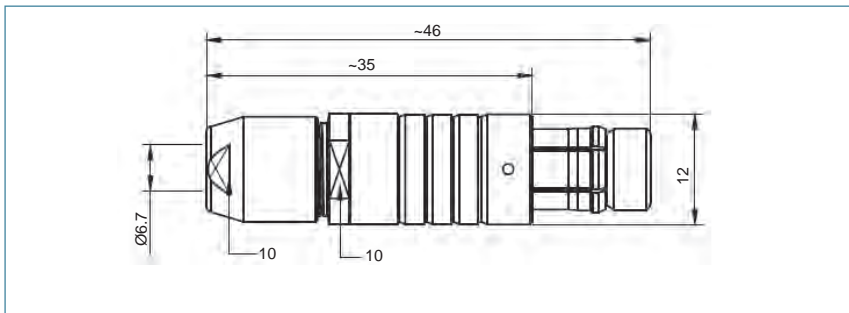
CCA2P1/A05 5 pole

- Premium range of circular connectors
- IP68 sealed using vacuum technology (when connected and using environmental cable clamp)
- Tough, high performance interconnection solution
- Ideal for harsh and extreme environments
- Suitable for broadcasting, autosport, military, rail, marine, security, industrial and agricultural applications
- Key coded to prevent misconnection
- Will not disconnect when the cable is under load or stress
- Tested to IEC 60512-3-5a



PART NO.	DESCRIPTION	POLES	SERIES
CCA2P1/A05	Cable mounted plug	5	CCA series

SPECIFICATION	
Shell style/model	Cable mounted straight plug, male contact
Codes	Code 1
Contact type	Solder type
Contact diameter	0.9mm
Max. stranded conductor	AWG 21-22
Max diameter	0.79mm
Vtest (contact-shell)	1100V(AC) 1900V(DC)
Vtest (contact-contact)	1400V(AC) 2200V(DC)
Rated current	6.8A
Rated voltage	≤250V
Mechanical operation	5000 mating cycles
Housing material	Brass (natural chrome plated) shell and collet nut, nickel plated brass latch sleeve and mid pieces
Insulator	PPS
Contacts	Brass (gold plated)
Humidity (max)	<=95% [at 60°C /140°F]
Vibration	15g [10 Hz - 2000 Hz]
Shock resistance	100g [6 ms]
Salt spray corrosion	>72 hr
Climatical category	50/175/21
Shielding (min)	75 dB (10 MHz)
Shielding (min)	40 dB (1 GHz)
IP rating	IP68 (when connected and using environmental cable clamp)

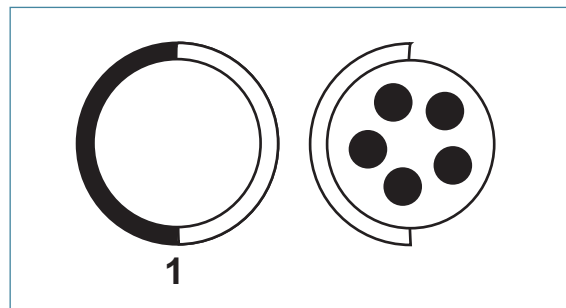


This product should be used with the following cable clamps:

PART NO.	WIRE RANGE
CCV2C/CE	3.7 - 4.2mm
CCV2C/CG	4.2 - 4.7mm
CCV2C/CH	4.7 - 5.2mm
CCV2C/CI	5.2 - 5.7mm
CCV2C/CJ	5.7 - 6.2mm



Non IP68 cable clamps also available



ACCESSORIES

Metal cap for plugs

PART NO.	DESCRIPTION
CCA22	Camcirc metal cap for plug A2



002
PCB TERMINAL
BLOCKS

081
TERMINAL STRIPS

095
WIRE TO BOARD
CONNECTORS

100
CIRCULAR
CONNECTORS

151
IP68 CONNECTORS

158
INTERFACE
MODULES AND
RELAY BASES

ASSOCIATED PRODUCTS

CCM2S1/05	-CCM series A2 size socket	page 126
CCT2S1/05	-CCT series A2 size socket	page 149





002

PCB TERMINAL
BLOCKS

081

TERMINAL STRIPS

095

WIRE TO BOARD
CONNECTORS

100

CIRCULAR
CONNECTORS

151

IP68 CONNECTORS

158

INTERFACE
MODULES AND
RELAY BASES

Push-pull connectors cable mounted plug CCA2 series



CCA2P1/A06 6 pole

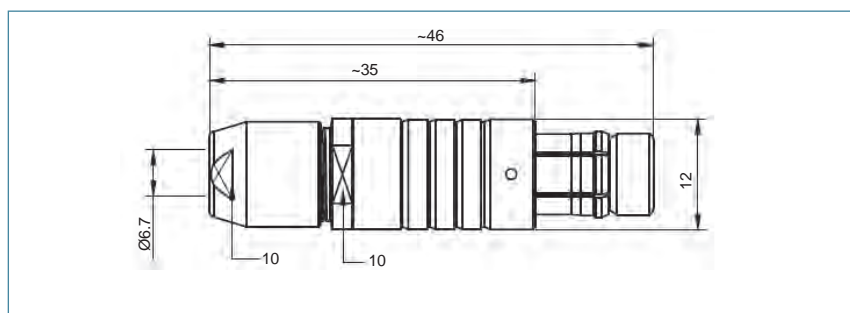
- Premium range of circular connectors
- IP68 sealed using vacuum technology (when connected and using environmental cable clamp)
- Tough, high performance interconnection solution
- Ideal for harsh and extreme environments
- Suitable for broadcasting, motorsport, military, rail, marine, security, industrial and agricultural applications
- Key coded to prevent misconnection
- Will not disconnect when the cable is under load or stress
- Tested to IEC 60512-3-5a

CCA2P1/A06



PART NO.	DESCRIPTION	POLES	SERIES
CCA2P1/A06	Cable mounted plug	6	CCA series

SPECIFICATION	
Shell style/model	Cable mounted straight plug, male contact
Codes	Code 1
Contact type	Solder type
Contact diameter	0.7mm
Max. stranded conductor	AWG 21-22
Max diameter	0.79mm
Vtest (contact-shell)	1000V(AC) 2000V(DC)
Vtest (contact-contact)	1300V(AC) 2000V(DC)
Rated current	5.2A
Rated voltage	≤250V
Mechanical operation	5000 mating cycles
Housing material	Brass (natural chrome plated) shell and collet nut, nickel plated brass latch sleeve and mid pieces
Insulator	PPS
Contacts	Brass (gold plated)
Humidity (max)	<=95% [at 60°C /140°F]
Vibration	15g [10 Hz - 2000 Hz]
Shock resistance	100g [6 ms]
Salt spray corrosion	>72 hr
Climatical category	50/175/21
Shielding (min)	75 dB (10 MHz)
Shielding (min)	40 dB (1 GHz)
IP rating	IP68 (when connected and using environmental cable clamp)

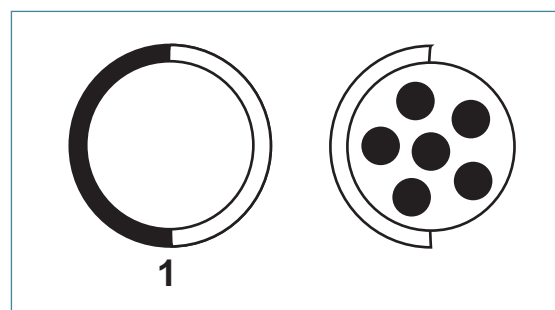


This product should be used with the following cable clamps:

PART NO.	WIRE RANGE
CCV2C/CE	3.7 - 4.2mm
CCV2C/CG	4.2 - 4.7mm
CCV2C/CH	4.7 - 5.2mm
CCV2C/CI	5.2 - 5.7mm
CCV2C/CJ	5.7 - 6.2mm



Non IP68 cable clamps also available



ACCESSORIES

Metal cap for plugs

PART NO.	DESCRIPTION
CCA22	Camcirk metal cap for plug A2



ASSOCIATED PRODUCTS

CCL2S1/06	-CCL series A2 size socket	page 121
CCB2S1/06	-CCB series A2 size socket	page 135



Push-pull connectors cable mounted plug CCA2 series



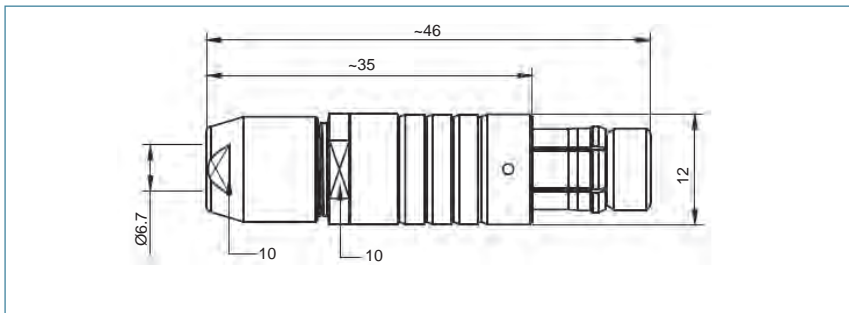
CCA2P1/A07 7 pole

- Premium range of circular connectors
- IP68 sealed using vacuum technology (when connected and using environmental cable clamp)
- Tough, high performance interconnection solution
- Ideal for harsh and extreme environments
- Suitable for broadcasting, autosport, military, rail, marine, security, industrial and agricultural applications
- Key coded to prevent misconnection
- Will not disconnect when the cable is under load or stress
- Tested to IEC 60512-3-5a



PART NO.	DESCRIPTION	POLES	SERIES
CCA2P1/A07	Cable mounted plug	7	CCA series

SPECIFICATION	
Shell style/model	Cable mounted straight plug, male contact
Codes	Code 1
Contact type	Solder type
Contact diameter	0.7mm
Max. stranded conductor	AWG 21-22
Max diameter	0.79mm
Vtest (contact-shell)	1000V(AC) 2000V(DC)
Vtest (contact-contact)	1300V(AC) 2000V(DC)
Rated current	5.0A
Rated voltage	≤250V
Mechanical operation	5000 mating cycles
Housing material	Brass (natural chrome plated) shell and collet nut, nickel plated brass latch sleeve and mid pieces
Insulator	PPS
Contacts	Brass (gold plated)
Humidity (max)	<=95% [at 60°C /140°F]
Vibration	15g [10 Hz - 2000 Hz]
Shock resistance	100g [6 ms]
Salt spray corrosion	>72 hr
Climatical category	50/175/21
Shielding (min)	75 dB (10 MHz)
Shielding (min)	40 dB (1 GHz)
IP rating	IP68 (when connected and using environmental cable clamp)

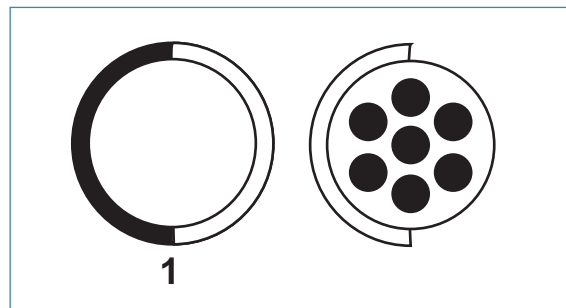


This product should be used with the following cable clamps:

PART NO.	WIRE RANGE
CCV2C/CE	3.7 - 4.2mm
CCV2C/CG	4.2 - 4.7mm
CCV2C/CH	4.7 - 5.2mm
CCV2C/CI	5.2 - 5.7mm
CCV2C/CJ	5.7 - 6.2mm



Non IP68 cable clamps also available



ACCESSORIES

Metal cap for plugs

PART NO.	DESCRIPTION
CCA22	Camcirc metal cap for plug A2



ASSOCIATED PRODUCTS

CCM2S1/07	-CCM series A2 size socket	page 127
CCB2S1/07	-CCB series A2 size socket	page 136
CCE2S1/07	-CCE series A2 size socket	page 143
CCT2S1/07	-CCT series A2 size socket	page 150



002
PCB TERMINAL
BLOCKS

081
TERMINAL STRIPS

095
WIRE TO BOARD
CONNECTORS

100
CIRCULAR
CONNECTORS

151
IP68 CONNECTORS

158
INTERFACE
MODULES AND
RELAY BASES



002

PCB TERMINAL
BLOCKS

081

TERMINAL STRIPS

095

WIRE TO BOARD
CONNECTORS

100

CIRCULAR
CONNECTORS

151

IP68 CONNECTORS

158

INTERFACE
MODULES AND
RELAY BASES

Push-pull connectors cable mounted plug CCA2 series



CCA2P1/A08 8 pole

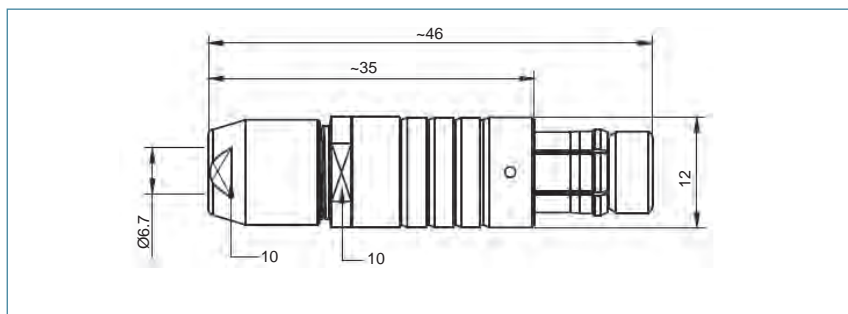
- Premium range of circular connectors
- IP68 sealed using vacuum technology (when connected and using environmental cable clamp)
- Tough, high performance interconnection solution
- Ideal for harsh and extreme environments
- Suitable for broadcasting, motorsport, military, rail, marine, security, industrial and agricultural applications
- Key coded to prevent misconnection
- Will not disconnect when the cable is under load or stress
- Tested to IEC 60512-3-5a

CCA2P1/A08



PART NO.	DESCRIPTION	POLES	SERIES
CCA2P1/A08	Cable mounted plug	8	CCA series

SPECIFICATION	
Shell style/model	Cable mounted straight plug, male contact
Codes	Code 1
Contact type	Solder type
Contact diameter	0.7mm
Max. stranded conductor	AWG 21-22
Max diameter	0.79mm
Vtest (contact-shell)	800V(AC) 1400V(DC)
Vtest (contact-contact)	1100V(AC) 1900V(DC)
Rated current	3.8A
Rated voltage	≤200V
Mechanical operation	5000 mating cycles
Housing material	Brass (natural chrome plated) shell and collet nut, nickel plated brass latch sleeve and mid pieces
Insulator	PPS
Contacts	Brass (gold plated)
Humidity (max)	<=95% [at 60°C /140°F]
Vibration	15g [10 Hz - 2000 Hz]
Shock resistance	100g [6 ms]
Salt spray corrosion	>72 hr
Climatical category	50/175/21
Shielding (min)	75 dB (10 MHz)
Shielding (min)	40 dB (1 GHz)
IP rating	IP68 (when connected and using environmental cable clamp)

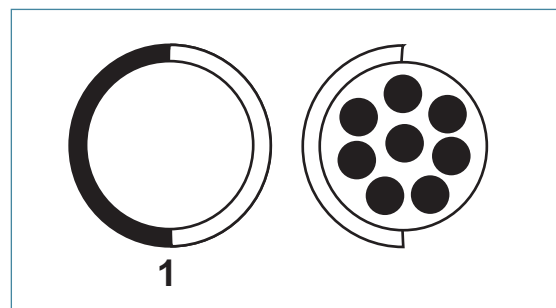


This product should be used with the following cable clamps:

PART NO.	WIRE RANGE
CCV2C/CE	3.7 - 4.2mm
CCV2C/CG	4.2 - 4.7mm
CCV2C/CH	4.7 - 5.2mm
CCV2C/CI	5.2 - 5.7mm
CCV2C/CJ	5.7 - 6.2mm



Non IP68 cable clamps also available



ACCESSORIES

Metal cap for plugs

PART NO.	DESCRIPTION
CCA22	Camcirc metal cap for plug A2



ASSOCIATED PRODUCTS

CCB2S1/08

-CCB series A2 size socket

page 137



Push-pull connectors cable mounted plug CCA3 series



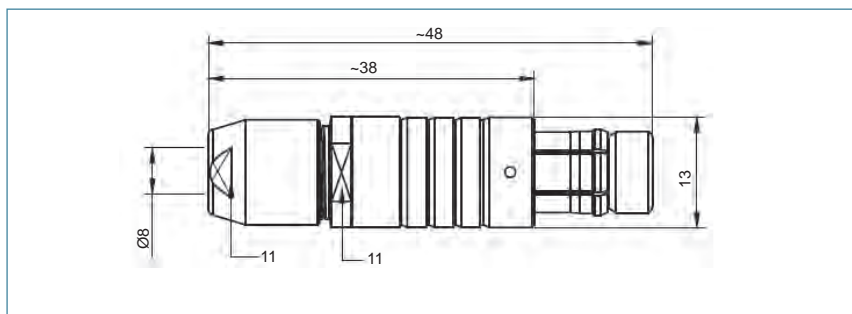
CCA3P1/A10 10 pole

- Premium range of circular connectors
- IP68 sealed using vacuum technology (when connected and using environmental cable clamp)
- Tough, high performance interconnection solution
- Ideal for harsh and extreme environments
- Suitable for broadcasting, autosport, military, rail, marine, security, industrial and agricultural applications
- Key coded to prevent misconnection
- Will not disconnect when the cable is under load or stress
- Tested to IEC 60512-3-5a



PART NO.	DESCRIPTION	POLES	SERIES
CCA3P1/A10	Cable mounted plug	10	CCA series

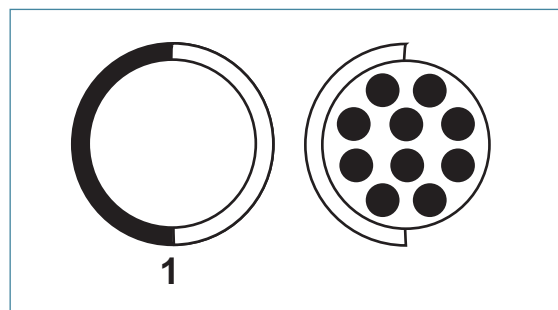
SPECIFICATION	
Shell style/model	Cable mounted straight plug, male contact
Codes	Code 1
Contact type	Solder type
Contact diameter	0.7mm
Max. stranded conductor	AWG 21-22
Max diameter	0.79mm
Vtest (contact-shell)	1400V(AC) 2000V(DC)
Vtest (contact-contact)	1500V(AC) 2200V(DC)
Rated current	4.5A
Rated voltage	≤250V
Mechanical operation	5000 mating cycles
Housing material	Brass (natural chrome plated) shell and collet nut, nickel plated brass latch sleeve and mid pieces
Insulator	PPS
Contacts	Brass (gold plated)
Humidity (max)	<=95% [at 60°C /140°F]
Vibration	15g [10 Hz - 2000 Hz]
Shock resistance	100g [6 ms]
Salt spray corrosion	>72 hr
Climatical category	50/175/21
Shielding (min)	75 dB (10 MHz)
Shielding (min)	40 dB (1 GHz)
IP rating	IP68 (when connected and using environmental cable clamp)



This product should be used with the following cable clamps:

PART NO.	WIRE RANGE
CCU3C/CJ	5.7 - 6.2mm
CCU3C/CL	6.2 - 6.7mm

Non IP68 cable clamps also available



ACCESSORIES

Metal cap for plugs

PART NO.	DESCRIPTION
CCA32	Camcirc metal cap for plug A3



ASSOCIATED PRODUCTS

CCM3S1/10

-CCM series A3 size socket

page 128



002
PCB TERMINAL
BLOCKS

081
TERMINAL STRIPS

095
WIRE TO BOARD
CONNECTORS

100
CIRCULAR
CONNECTORS

151
IP68 CONNECTORS

158
INTERFACE
MODULES AND
RELAY BASES



002

PCB TERMINAL
BLOCKS

081

TERMINAL STRIPS

095

WIRE TO BOARD
CONNECTORS

100

CIRCULAR
CONNECTORS

151

IP68 CONNECTORS

158

INTERFACE
MODULES AND
RELAY BASES

Push-pull connectors cable mounted plug CCA3 series



CCA3P1/A12 12 pole

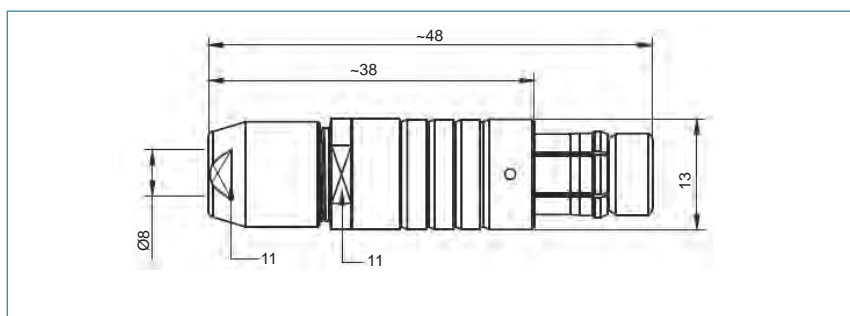
- Premium range of circular connectors
- IP68 sealed using vacuum technology (when connected and using environmental cable clamp)
- Tough, high performance interconnection solution
- Ideal for harsh and extreme environments
- Suitable for broadcasting, autosport, military, rail, marine, security, industrial and agricultural applications
- Key coded to prevent misconnection
- Will not disconnect when the cable is under load or stress
- Tested to IEC 60512-3-5a

CCA3P1/A12



PART NO.	DESCRIPTION	POLES	SERIES
CCA3P1/A12	Cable mounted plug	12	CCA series

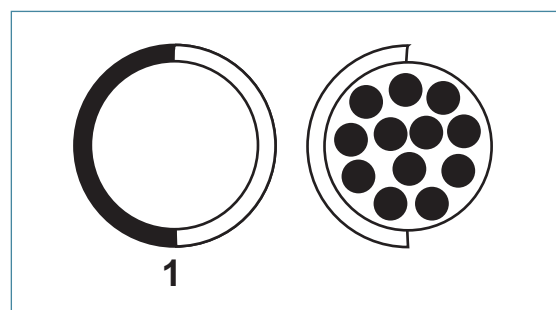
SPECIFICATION	
Shell style/model	Cable mounted straight plug, male contact
Codes	Code 1
Contact type	Solder type
Contact diameter	0.7mm
Max. stranded conductor	AWG 21-22
Max diameter	0.79mm
Vtest (contact-shell)	1400V(AC) 2000V(DC)
Vtest (contact-contact)	1500V(AC) 2200V(DC)
Rated current	4.2A
Rated voltage	≤250V
Mechanical operation	5000 mating cycles
Housing material	Brass (natural chrome plated) shell and collet nut, nickel plated brass latch sleeve and mid pieces
Insulator	PPS
Contacts	Brass (gold plated)
Humidity (max)	<=95% [at 60°C /140°F]
Vibration	15g [10 Hz - 2000 Hz]
Shock resistance	100g [6 ms]
Salt spray corrosion	>72 hr
Climatical category	50/175/21
Shielding (min)	75 dB (10 MHz)
Shielding (min)	40 dB (1 GHz)
IP rating	IP68 (when connected and using environmental cable clamp)



This product should be used with the following cable clamps:

PART NO.	WIRE RANGE
CCU3C/CJ	5.7 - 6.2mm
CCU3C/CL	6.2 - 6.7mm

Non IP68 cable clamps also available



ACCESSORIES

Metal cap for plugs

PART NO.	DESCRIPTION
CCA32	Camcircular metal cap for plug A3



ASSOCIATED PRODUCTS

CCM3S1/12

-CCM series A3 size socket

page 129



Push-pull connectors cable mounted plug CCA3 series



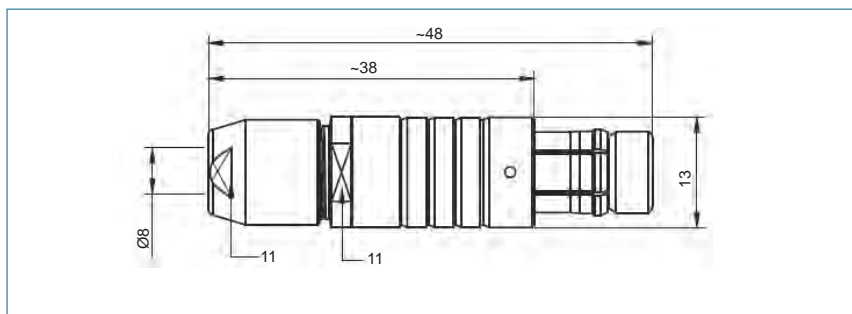
CCA3P1/A19 19 pole

- Premium range of circular connectors
- IP68 sealed using vacuum technology (when connected and using environmental cable clamp)
- Tough, high performance interconnection solution
- Ideal for harsh and extreme environments
- Suitable for broadcasting, autosport, military, rail, marine, security, industrial and agricultural applications
- Key coded to prevent misconnection
- Will not disconnect when the cable is under load or stress
- Tested to IEC 60512-3-5a



PART NO.	DESCRIPTION	POLES	SERIES
CCA3P1/A19	Cable mounted plug	19	CCA series

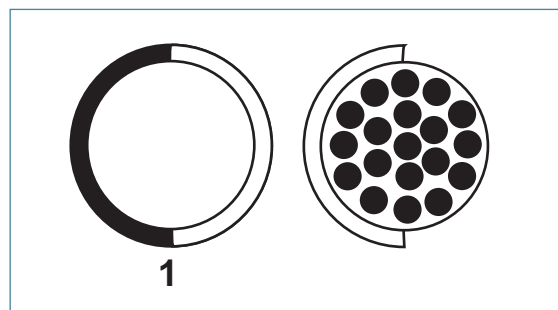
SPECIFICATION	
Shell style/model	Cable mounted straight plug, male contact
Codes	Code 1
Contact type	Solder type
Contact diameter	0.5mm
Max. stranded conductor	AWG 21-22
Max diameter	0.79mm
Vtest (contact-shell)	1200V(AC) 2000V(DC)
Vtest (contact-contact)	900V(AC) 1500V(DC)
Rated current	2.5A
Rated voltage	≤250V
Mechanical operation	5000 mating cycles
Housing material	Brass (natural chrome plated) shell and collet nut, nickel plated brass latch sleeve and mid pieces
Insulator	PPS
Contacts	Brass (gold plated)
Humidity (max)	<=95% [at 60°C /140°F]
Vibration	15g [10 Hz - 2000 Hz]
Shock resistance	100g [6 ms]
Salt spray corrosion	>72 hr
Climatical category	50/175/21
Shielding (min)	75 dB (10 MHz)
Shielding (min)	40 dB (1 GHz)
IP rating	IP68 (when connected and using environmental cable clamp)



This product should be used with the following cable clamps:

PART NO.	WIRE RANGE
CCU3C/CJ	5.7 - 6.2mm
CCU3C/CL	6.2 - 6.7mm

Non IP68 cable clamps also available



ACCESSORIES

Metal cap for plugs

PART NO.	DESCRIPTION
CCA32	Camcirk metal cap for plug A3



ASSOCIATED PRODUCTS

CCB3S1/19

-CCB series A3 size socket

page 138



002
PCB TERMINAL
BLOCKS

081
TERMINAL STRIPS

095
WIRE TO BOARD
CONNECTORS

100
CIRCULAR
CONNECTORS

151
IP68 CONNECTORS

158
INTERFACE
MODULES AND
RELAY BASES



002

PCB TERMINAL
BLOCKS

081

TERMINAL STRIPS

095

WIRE TO BOARD
CONNECTORS

100

CIRCULAR
CONNECTORS

151

IP68 CONNECTORS

158

INTERFACE
MODULES AND
RELAY BASES

Push-pull connectors cable mounted plug CCA4 series



CCA4P1/A16 16 pole

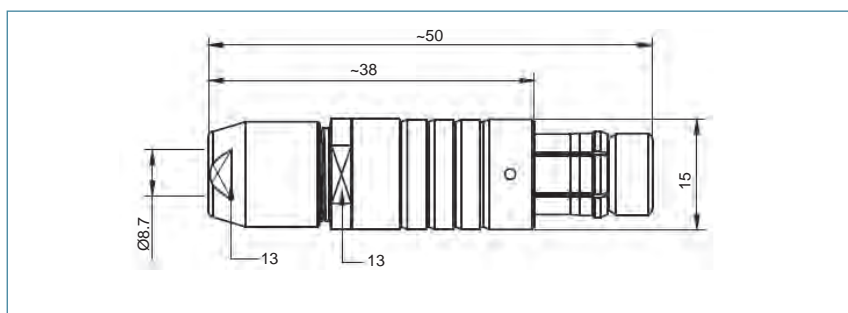
- Premium range of circular connectors
- IP68 sealed using vacuum technology (when connected and using environmental cable clamp)
- Tough, high performance interconnection solution
- Ideal for harsh and extreme environments
- Suitable for broadcasting, autosport, military, rail, marine, security, industrial and agricultural applications
- Key coded to prevent misconnection
- Will not disconnect when the cable is under load or stress
- Tested to IEC 60512-3-5a

CCA4P1/A16



PART NO.	DESCRIPTION	POLES	SERIES
CCA4P1/A16	Cable mounted plug	16	CCA series

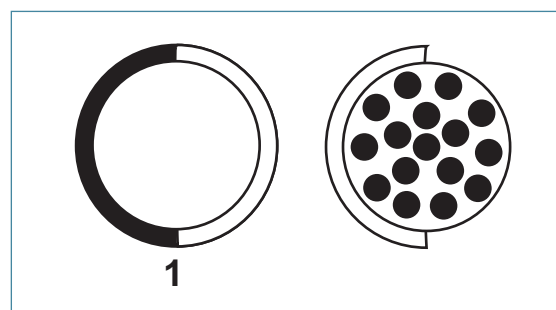
SPECIFICATION	
Shell style/model	Cable mounted straight plug, male contact
Codes	Code 1
Contact type	Solder type
Contact diameter	0.7mm
Max. stranded conductor	AWG 21-22
Max diameter	0.79mm
Vtest (contact-shell)	1000V(AC) 1600V(DC)
Vtest (contact-contact)	1500V(AC) 2200V(DC)
Rated current	4.0A
Rated voltage	≤200V
Mechanical operation	5000 mating cycles
Housing material	Brass (natural chrome plated) shell and collet nut, nickel plated brass latch sleeve and mid pieces
Insulator	PPS
Contacts	Brass (gold plated)
Humidity (max)	<=95% [at 60°C /140°F]
Vibration	15g [10 Hz - 2000 Hz]
Shock resistance	100g [6 ms]
Salt spray corrosion	>72 hr
Climatical category	50/175/21
Shielding (min)	75 dB (10 MHz)
Shielding (min)	40 dB (1 GHz)
IP rating	IP68 (when connected and using environmental cable clamp)



This product should be used with the following cable clamps:

PART NO.	WIRE RANGE
CCU4C/CK	5.7 - 6.7mm
CCU4C/CN	6.7 - 7.7mm
CCU4C/CQ	7.7 - 8.7mm

Non IP68 cable clamps also available



ACCESSORIES

Metal cap for plugs

PART NO.	DESCRIPTION
CCA42	Camcirc metal cap for plug A4



ASSOCIATED PRODUCTS

CCM4S1/16

-CCM series A4 size socket

page 130



Push-pull connectors cable mounted plug CCA4 series



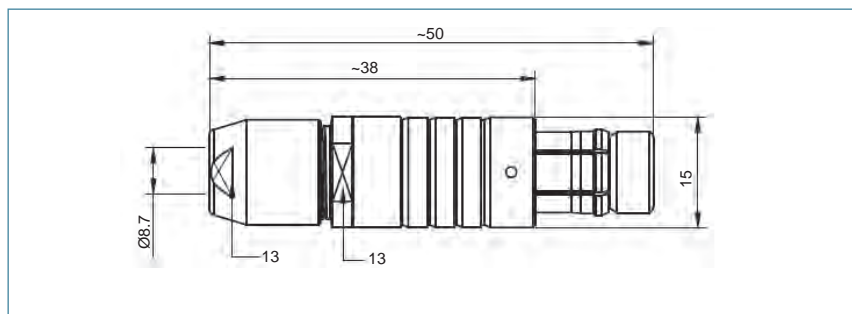
CCA4P1/A19 19 pole

- Premium range of circular connectors
- IP68 sealed using vacuum technology (when connected and using environmental cable clamp)
- Tough, high performance interconnection solution
- Ideal for harsh and extreme environments
- Suitable for broadcasting, autosport, military, rail, marine, security, industrial and agricultural applications
- Key coded to prevent misconnection
- Will not disconnect when the cable is under load or stress
- Tested to IEC 60512-3-5a



PART NO.	DESCRIPTION	POLES	SERIES
CCA4P1/A19	Cable mounted plug	19	CCA series

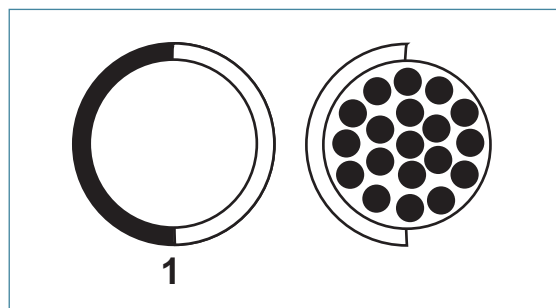
SPECIFICATION	
Shell style/model	Cable mounted straight plug, male contact
Codes	Code 1
Contact type	Solder type
Contact diameter	0.7mm
Max. stranded conductor	AWG 21-22
Max diameter	0.79mm
Vtest (contact-shell)	800V(AC) 1200V(DC)
Vtest (contact-contact)	1200V(AC) 1800V(DC)
Rated current	3.5A
Rated voltage	≤200V
Mechanical operation	5000 mating cycles
Housing material	Brass (natural chrome plated) shell and collet nut, nickel plated brass latch sleeve and mid pieces
Insulator	PPS
Contacts	Brass (gold plated)
Humidity (max)	<=95% [at 60°C /140°F]
Vibration	15g [10 Hz - 2000 Hz]
Shock resistance	100g [6 ms]
Salt spray corrosion	>72 hr
Climatical category	50/175/21
Shielding (min)	75 dB (10 MHz)
Shielding (min)	40 dB (1 GHz)
IP rating	IP68 (when connected and using environmental cable clamp)



This product should be used with the following cable clamps:

PART NO.	WIRE RANGE
CCU4C/CK	5.7 - 6.7mm
CCU4C/CN	6.7 - 7.7mm
CCU4C/CQ	7.7 - 8.7mm

Non IP68 cable clamps also available



ACCESSORIES

Metal cap for plugs

PART NO.	DESCRIPTION
CCA42	Camcirt metal cap for plug A4



ASSOCIATED PRODUCTS

CCB4S1/19

-CCB series A4 size socket

page 139



002
PCB TERMINAL
BLOCKS

081
TERMINAL STRIPS

095
WIRE TO BOARD
CONNECTORS

100
CIRCULAR
CONNECTORS

151
IP68 CONNECTORS

158
INTERFACE
MODULES AND
RELAY BASES



002
PCB TERMINAL
BLOCKS

081
TERMINAL STRIPS

095
WIRE TO BOARD
CONNECTORS

100
CIRCULAR
CONNECTORS

151
IP68 CONNECTORS

158
INTERFACE
MODULES AND
RELAY BASES

CIRCULAR CONNECTORS - SOCKET



CamCirc is the interconnect solution from CamdenBoss that can take on the elements and withstand the worst of nature. 'WEATHER' your application be military, industrial, auto-sport, medical or marine, CamCirc will perform where other products often fail. From the glamour of the broadcasting world, to the tough demands of the agricultural and construction machinery industries, our CamCirc range keeps you connected against the elements!

CCL series A2 size socket 6 pole 121	CCM series A1 size socket 3 pole 122	CCM series A1 size socket 5 pole 123
CCM series A1 size socket 7 pole 124	CCM series A1 size socket 9 pole 125	CCM series A2 size socket 5 pole 126
CCM series A2 size socket 7 pole 127	CCM series A3 size socket 10 pole 128	CCM series A3 size socket 12 pole 129
CCM series A4 size socket 16 pole 130	CCB series A1 size socket 3 pole 131	CCB series A1 size socket 4 pole 132





002
PCB TERMINAL
BLOCKS

081
TERMINAL STRIPS

095
WIRE TO BOARD
CONNECTORS

100
CIRCULAR
CONNECTORS

151
IP68 CONNECTORS

158
INTERFACE
MODULES AND
RELAY BASES



CCB series A2
size socket
3 pole **133**



CCB series A2
size socket
4 pole **134**



CCB series A2
size socket
6 pole **135**



CCB series A2
size socket
7 pole **136**



CCB series A2
size socket
8 pole **137**



CCB series A3
size socket
19 pole **138**



CCB series A4
size socket
19 pole **139**



CCE series A1
size socket
3 pole **140**



CCE series A1
size socket
5 pole **141**



CCE series A1
size socket
7 pole **142**



CCE series A2
size socket
7 pole **143**



CCD series A2
size socket
4 pole **144**



002
PCB TERMINAL
BLOCKS

081
TERMINAL STRIPS

095
WIRE TO BOARD
CONNECTORS

100
CIRCULAR
CONNECTORS

151
IP68 CONNECTORS

158
INTERFACE
MODULES AND
RELAY BASES



CCS series A1
size socket
4 pole

145



CCT series A1
size socket
3 pole

146



CCT series A1
size socket
5 pole

147



CCT series A1
size socket
7 pole

148



CCT series A2
size socket
5 pole

149



CCT series A2
size socket
7 pole

150



Push-pull connectors female fixed socket CCL series



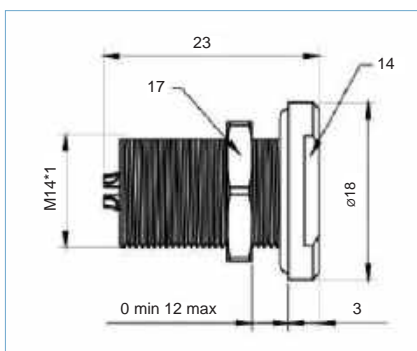
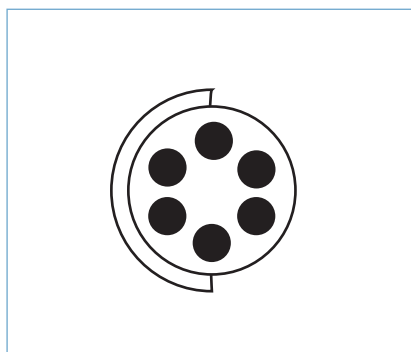
CCL2S1/06 6 pole

- Premium range of circular connectors
- IP68 sealed using vacuum technology (when connected and using environmental cable clamp)
- Tough, high performance interconnection solution
- Compact panel mounting design
- Ideal for harsh and extreme environments
- Suitable for broadcasting, autosport, military, rail, marine, security, industrial and agricultural applications
- Key coded to prevent misconnection
- Will not disconnect when the cable is under load or stress
- Tool slots for secure and tight mounting
- Tested to IEC 60512-3-5a



PART NO.	DESCRIPTION	POLES	SERIES
CCL2S1/06	Female fixed socket	6	CCL series

SPECIFICATION	
Shell style/model	DEU type fixed socket, female contact
Codes	Code 1
Contact type	Solder type
Contact diameter	0.7mm
Max. stranded conductor	AWG 21-22
Max diameter	0.79mm
Vtest (contact-shell)	1300V(AC) 2000V(DC)
Vtest (contact-contact)	1000V(AC) 2000V(DC)
Rated current	5.2A
Rated voltage	≤250V
Mechanical operation	5000 mating cycles
Housing material	Brass (natural chrome plated) shell and collet nut, nickel plated brass latch sleeve and mid pieces
Insulator	PPS
Contacts	Brass (gold plated)
Humidity (max)	≤95% [at 60°C /140°F]
Vibration	15g [10 Hz - 2000 Hz]
Shock resistance	100g [6 ms]
Salt spray corrosion	>72 hr
Climatical category	50/175/21
Shielding (min)	75 dB (10 MHz)
Shielding (min)	40 dB (1 GHz)
IP rating	IP68 (when connected and using environmental cable clamp)



KEY FEATURES

Key coded | Panel mounting socket | Flat face | Face slots for tightening with a tool

ACCESSORIES

Metal and rubber caps for sockets

PART NO.	DESCRIPTION
CCT21	Camcric metal cap for sockets A2



PART NO.	DESCRIPTION
CCT22	Camcric rubber cap for sockets A2



002
PCB TERMINAL
BLOCKS

081
TERMINAL STRIPS

095
WIRE TO BOARD
CONNECTORS

100
CIRCULAR
CONNECTORS

151
IP68 CONNECTORS

158
INTERFACE
MODULES AND
RELAY BASES

ASSOCIATED PRODUCTS

CCA2P1/A06

- CCA Series A2 size plug

page 110



002

PCB TERMINAL
BLOCKS

081

TERMINAL STRIPS

095

WIRE TO BOARD
CONNECTORS

100

CIRCULAR
CONNECTORS

151

IP68 CONNECTORS

158

INTERFACE
MODULES AND
RELAY BASES

Push-pull connectors female fixed socket CCM series



CCM1S1/03 3 pole

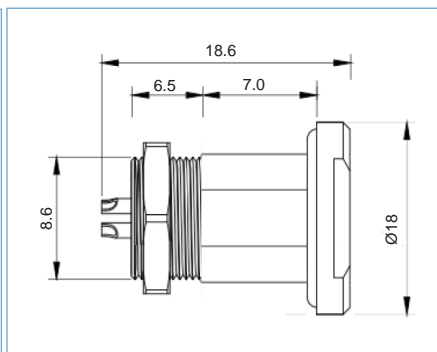
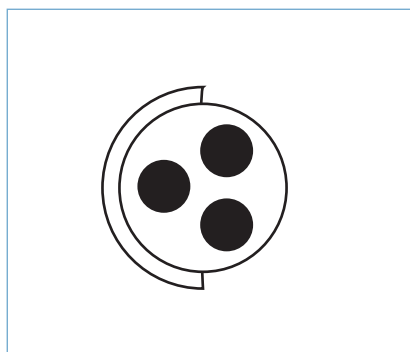
- Premium range of circular connectors
- IP68 sealed using vacuum technology (when connected and using environmental cable clamp)
- Tough, high performance interconnection solution
- Compact panel mounting design
- Ideal for harsh and extreme environments
- Suitable for broadcasting, autosport, military, rail, marine, security, industrial and agricultural applications
- Key coded to prevent misconnection
- Will not disconnect when the cable is under load or stress
- Tool slots for secure and tight mounting
- Tested to IEC 60512-3-5a

CCM1S1/03



PART NO.	DESCRIPTION	POLES	SERIES
CCM1S1/03	Female fixed socket	3	CCM series

SPECIFICATION	
Shell style/model	DEU type fixed socket, female contact
Codes	Code 1
Contact type	Solder type
Contact diameter	0.9mm
Max. stranded conductor	AWG 21-22
Max diameter	0.79mm
Vtest (contact-shell)	1300V(AC) 1800V(DC)
Vtest (contact-contact)	1300V(AC) 1600V(DC)
Rated current	8.2A
Rated voltage	≤250V
Mechanical operation	5000 mating cycles
Housing material	Brass (natural chrome plated) shell and collet nut, nickel plated brass latch sleeve and mid pieces
Insulator	PPS
Contacts	Brass (gold plated)
Humidity (max)	<=95% [at 60°C /140°F]
Vibration	15g [10 Hz - 2000 Hz]
Shock resistance	100g [6 ms]
Salt spray corrosion	>72 hr
Climatical category	50/175/21
Shielding (min)	75 dB (10 MHz)
Shielding (min)	40 dB (1 GHz)
IP rating	IP68 (when connected and using environmental cable clamp)



KEY FEATURES

Key coded | Deep panel mounting socket | Face slots for tightening with a tool

ACCESSORIES

Metal and rubber caps for sockets

PART NO.	DESCRIPTION
CCT11	Camcric metal cap for sockets A1



PART NO.	DESCRIPTION
CCT12	Camcric rubber cap for sockets A1



ASSOCIATED PRODUCTS

CCA1P1/A03

- CCA Series A1 size plug

page 102



Push-pull connectors female fixed socket CCM series



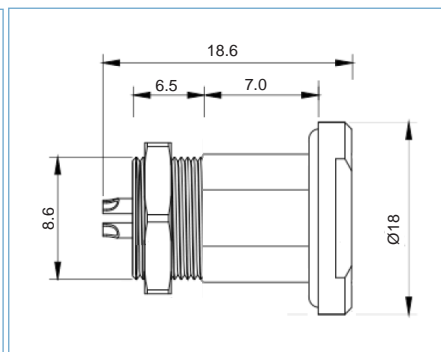
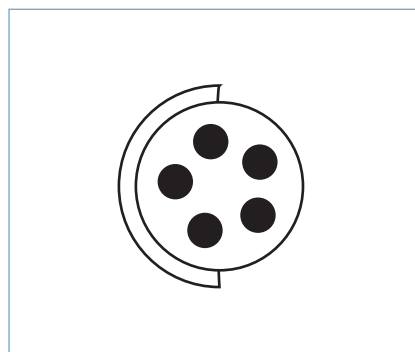
CCM1S1/05 5 pole

- Premium range of circular connectors
- IP68 sealed using vacuum technology (when connected and using environmental cable clamp)
- Tough, high performance interconnection solution
- Compact panel mounting design
- Ideal for harsh and extreme environments
- Suitable for broadcasting, autosport, military, rail, marine, security, industrial and agricultural applications
- Key coded to prevent misconnection
- Will not disconnect when the cable is under load or stress
- Tool slots for secure and tight mounting
- Tested to IEC 60512-3-5a



PART NO.	DESCRIPTION	POLES	SERIES
CCM1S1/05	Female fixed socket	5	CCM series

SPECIFICATION	
Shell style/model	DEU type fixed socket, female contact
Codes	Code 1
Contact type	Solder type
Contact diameter	0.7mm
Max. stranded conductor	AWG 21-22
Max diameter	0.79mm
Vtest (contact-shell)	800V(AC) 1300V(DC)
Vtest (contact-contact)	1000V(AC) 1800V(DC)
Rated current	5.2A
Rated voltage	≤160V
Mechanical operation	5000 mating cycles
Housing material	Brass (natural chrome plated) shell and collet nut, nickel plated brass latch sleeve and mid pieces
Insulator	PPS
Contacts	Brass (gold plated)
Humidity (max)	≤95% [at 60°C /140°F]
Vibration	15g [10 Hz - 2000 Hz]
Shock resistance	100g [6 ms]
Salt spray corrosion	>72 hr
Climatical category	50/175/21
Shielding (min)	75 dB (10 MHz)
Shielding (min)	40 dB (1 GHz)
IP rating	IP68 (when connected and using environmental cable clamp)



KEY FEATURES

Key coded | Deep panel mounting socket | Face slots for tightening with a tool

ACCESSORIES

Metal and rubber caps for sockets

PART NO.	DESCRIPTION
CCT11	Camcric metal cap for sockets A1



PART NO.	DESCRIPTION
CCT12	Camcric rubber cap for sockets A1



ASSOCIATED PRODUCTS

CCA1P1/A05

- CCA Series A1 size plug

page 104



002
PCB TERMINAL
BLOCKS

081
TERMINAL STRIPS

095
WIRE TO BOARD
CONNECTORS

100
CIRCULAR
CONNECTORS

151
IP68 CONNECTORS

158
INTERFACE
MODULES AND
RELAY BASES



002

PCB TERMINAL
BLOCKS

081

TERMINAL STRIPS

095

WIRE TO BOARD
CONNECTORS

100

CIRCULAR
CONNECTORS

151

IP68 CONNECTORS

158

INTERFACE
MODULES AND
RELAY BASES

Push-pull connectors female fixed socket CCM series



CCM1S1/07 7 pole

- Premium range of circular connectors
- IP68 sealed using vacuum technology (when connected and using environmental cable clamp)
- Tough, high performance interconnection solution
- Compact panel mounting design
- Ideal for harsh and extreme environments
- Suitable for broadcasting, autosport, military, rail, marine, security, industrial and agricultural applications
- Key coded to prevent misconnection
- Will not disconnect when the cable is under load or stress
- Tool slots for secure and tight mounting
- Tested to IEC 60512-3-5a

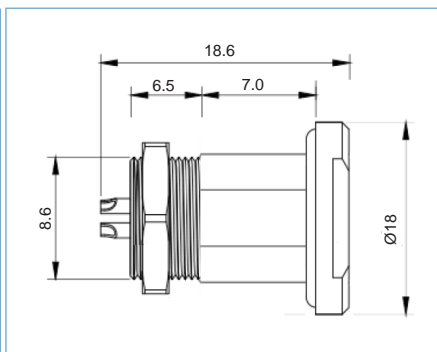
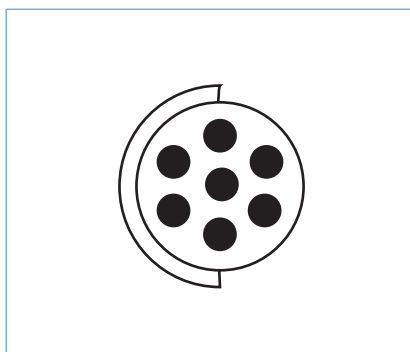
CCM1S1/07



PART NO.	DESCRIPTION	POLES	SERIES
CCM1S1/07	Female fixed socket	7	CCM series

SPECIFICATION

Shell style/model	DEU type fixed socket, female contact
Codes	Code 1
Contact type	Solder type
Contact diameter	0.5mm
Max. stranded conductor	AWG 26-28
Max diameter	0.43mm
Vtest (contact-shell)	800V(AC) 1300V(DC)
Vtest (contact-contact)	1000V(AC) 1800V(DC)
Rated current	2A
Rated voltage	≤160V
Mechanical operation	5000 mating cycles
Housing material	Brass (natural chrome plated) shell and collet nut, nickel plated brass latch sleeve and mid pieces
Insulator	PPS
Contacts	Brass (gold plated)
Humidity (max)	<=95% [at 60°C /140°F]
Vibration	15g [10 Hz - 2000 Hz]
Shock resistance	100g [6 ms]
Salt spray corrosion	>72 hr
Climatical category	50/175/21
Shielding (min)	75 dB (10 MHz)
Shielding (min)	40 dB (1 GHz)
IP rating	IP68 (when connected and using environmental cable clamp)



KEY FEATURES

Key coded | Deep panel mounting socket | Face slots for tightening with a tool

ACCESSORIES

Metal and rubber caps for sockets

PART NO.	DESCRIPTION
CCT11	Camcric metal cap for sockets A1



PART NO.	DESCRIPTION
CCT12	Camcric rubber cap for sockets A1



ASSOCIATED PRODUCTS

CCA1P1/A07

- CCA Series A1 size plug

page 105



Push-pull connectors female fixed socket CCM series



002
PCB TERMINAL
BLOCKS

081
TERMINAL STRIPS

095
WIRE TO BOARD
CONNECTORS

100
CIRCULAR
CONNECTORS

151
IP68 CONNECTORS

158
INTERFACE
MODULES AND
RELAY BASES

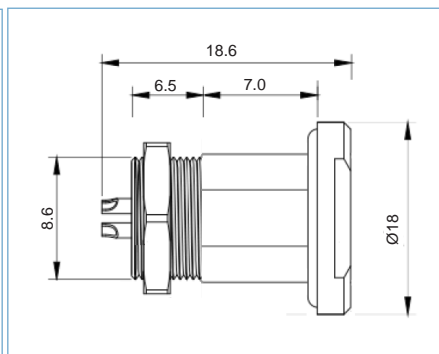
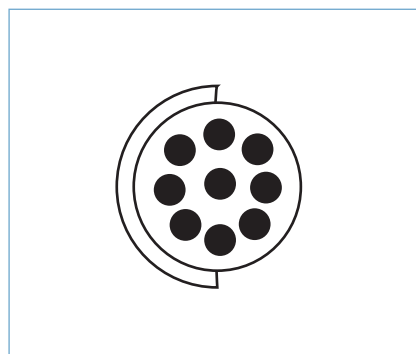
CCM1S1/09 9 pole

- Premium range of circular connectors
- IP68 sealed using vacuum technology (when connected and using environmental cable clamp)
- Tough, high performance interconnection solution
- Compact panel mounting design
- Ideal for harsh and extreme environments
- Suitable for broadcasting, autosport, military, rail, marine, security, industrial and agricultural applications
- Key coded to prevent misconnection
- Will not disconnect when the cable is under load or stress
- Tool slots for secure and tight mounting
- Tested to IEC 60512-3-5a



PART NO.	DESCRIPTION	POLES	SERIES
CCM1S1/09	Female fixed socket	9	CCM series

SPECIFICATION	
Shell style/model	DEU type fixed socket, female contact
Codes	Code 1
Contact type	Solder type
Contact diameter	0.5mm
Max. stranded conductor	AWG 26-28
Max diameter	0.43mm
Vtest (contact-shell)	800V(AC) 1300V(DC)
Vtest (contact-contact)	1000V(AC) 1800V(DC)
Rated current	1.7A
Rated voltage	≤160V
Mechanical operation	5000 mating cycles
Housing material	Brass (natural chrome plated) shell and collet nut, nickel plated brass latch sleeve and mid pieces
Insulator	PPS
Contacts	Brass (gold plated)
Humidity (max)	<=95% [at 60°C /140°F]
Vibration	15g [10 Hz - 2000 Hz]
Shock resistance	100g [6 ms]
Salt spray corrosion	>72 hr
Climatical category	50/175/21
Shielding (min)	75 dB (10 MHz)
Shielding (min)	40 dB (1 GHz)
IP rating	IP68 (when connected and using environmental cable clamp)



KEY FEATURES

Key coded | Deep panel mounting socket | Face slots for tightening with a tool

ACCESSORIES

Metal and rubber caps for sockets

PART NO.	DESCRIPTION
CCT1	Camcric metal cap for sockets A1



PART NO.	DESCRIPTION
CCT12	Camcric rubber cap for sockets A1



ASSOCIATED PRODUCTS

CCA1P1/A09

- CCA Series A1 size plug

page 106





002

PCB TERMINAL
BLOCKS

081

TERMINAL STRIPS

095

WIRE TO BOARD
CONNECTORS

100

CIRCULAR
CONNECTORS

151

IP68 CONNECTORS

158

INTERFACE
MODULES AND
RELAY BASES

Push-pull connectors female fixed socket CCM series



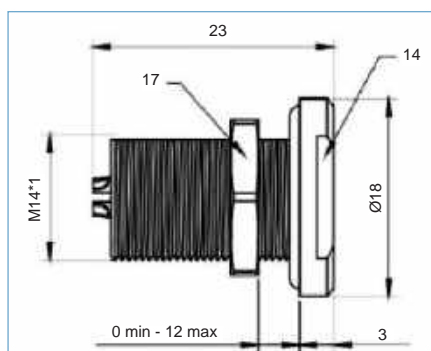
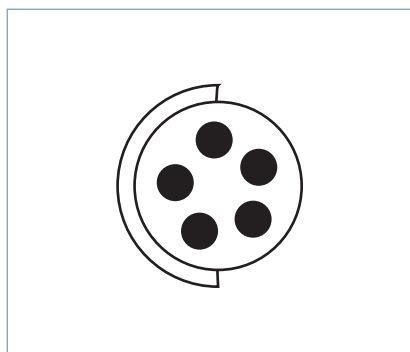
CCM2S1/05 5 pole

- Premium range of circular connectors
- IP68 sealed using vacuum technology (when connected and using environmental cable clamp)
- Tough, high performance interconnection solution
- Compact panel mounting design
- Ideal for harsh and extreme environments
- Suitable for broadcasting, autosport, military, rail, marine, security, industrial and agricultural applications
- Key coded to prevent misconnection
- Will not disconnect when the cable is under load or stress
- Tool slots for secure and tight mounting
- Tested to IEC 60512-3-5a



PART NO.	DESCRIPTION	POLES	SERIES
CCM2S1/05	Female fixed socket	5	CCM series

SPECIFICATION	
Shell style/model	DEU type fixed socket, female contact
Codes	Code 1
Contact type	Solder type
Contact diameter	0.9mm
Max. stranded conductor	AWG 21-22
Max diameter	0.79mm
Vtest (contact-shell)	1100V(AC) 1900V(DC)
Vtest (contact-contact)	1400V(AC) 2200V(DC)
Rated current	6.8A
Rated voltage	≤250V
Mechanical operation	5000 mating cycles
Housing material	Brass (natural chrome plated) shell and collet nut, nickel plated brass latch sleeve and mid pieces
Insulator	PPS
Contacts	Brass (gold plated)
Humidity (max)	<=95% [at 60°C /140°F]
Vibration	15g [10 Hz - 2000 Hz]
Shock resistance	100g [6 ms]
Salt spray corrosion	>72 hr
Climatical category	50/175/21
Shielding (min)	75 dB (10 MHz)
Shielding (min)	40 dB (1 GHz)
IP rating	IP68 (when connected and using environmental cable clamp)



KEY FEATURES

Key coded | Panel mounting socket | Flat face | Face slots for tightening with a tool

ACCESSORIES

Metal and rubber caps for sockets

PART NO.	DESCRIPTION
CCT21	Camcirt metal cap for sockets A2



PART NO.	DESCRIPTION
CCT22	Camcirt rubber cap for sockets A2



ASSOCIATED PRODUCTS

CCA2P1/A05

- CCA Series A2 size plug

page 109



Push-pull connectors female fixed socket CCM series



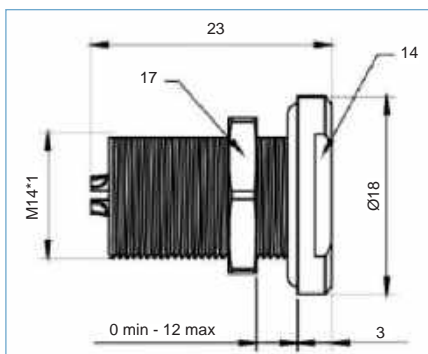
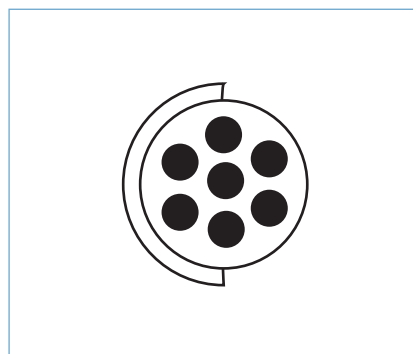
CCM2S1/07 7 pole

- Premium range of circular connectors
- IP68 sealed using vacuum technology (when connected and using environmental cable clamp)
- Tough, high performance interconnection solution
- Compact panel mounting design
- Ideal for harsh and extreme environments
- Suitable for broadcasting, autosport, military, rail, marine, security, industrial and agricultural applications
- Key coded to prevent misconnection
- Will not disconnect when the cable is under load or stress
- Tool slots for secure and tight mounting
- Tested to IEC 60512-3-5a



PART NO.	DESCRIPTION	POLES	SERIES
CCM2S1/07	Female fixed socket	7	CCM series

SPECIFICATION	
Shell style/model	DEU type fixed socket, female contact
Codes	Code 1
Contact type	Solder type
Contact diameter	0.7mm
Max. stranded conductor	AWG 21-22
Max diameter	0.79mm
Vtest (contact-shell)	1000V(AC) 2000V(DC)
Vtest (contact-contact)	1300V(AC) 2000V(DC)
Rated current	5.0A
Rated voltage	≤250V
Mechanical operation	5000 mating cycles
Housing material	Brass (natural chrome plated) shell and collet nut, nickel plated brass latch sleeve and mid pieces
Insulator	PPS
Contacts	Brass (gold plated)
Humidity (max)	≤95% [at 60°C /140°F]
Vibration	15g [10 Hz - 2000 Hz]
Shock resistance	100g [6 ms]
Salt spray corrosion	>72 hr
Climatical category	50/175/21
Shielding (min)	75 dB (10 MHz)
Shielding (min)	40 dB (1 GHz)
IP rating	IP68 (when connected and using environmental cable clamp)



KEY FEATURES

Key coded | Panel mounting socket | Flat face | Face slots for tightening with a tool

ACCESSORIES

Metal and rubber caps for sockets

PART NO.	DESCRIPTION
CCT21	Camcric metal cap for sockets A2



PART NO.	DESCRIPTION
CCT22	Camcric rubber cap for sockets A2



ASSOCIATED PRODUCTS

CCA2P1/A07

- CCA Series A2 size plug

page 111



002
PCB TERMINAL
BLOCKS

081
TERMINAL STRIPS

095
WIRE TO BOARD
CONNECTORS

100
CIRCULAR
CONNECTORS

151
IP68 CONNECTORS

158
INTERFACE
MODULES AND
RELAY BASES



002

PCB TERMINAL
BLOCKS

081

TERMINAL STRIPS

095

WIRE TO BOARD
CONNECTORS

100

CIRCULAR
CONNECTORS

151

IP68 CONNECTORS

158

INTERFACE
MODULES AND
RELAY BASES

Push-pull connectors female fixed socket CCM series



CCM3S1/10 10 pole

- Premium range of circular connectors
- IP68 sealed using vacuum technology (when connected and using environmental cable clamp)
- Tough, high performance interconnection solution
- Compact panel mounting design
- Ideal for harsh and extreme environments
- Suitable for broadcasting, autosport, military, rail, marine, security, industrial and agricultural applications
- Key coded to prevent misconnection
- Will not disconnect when the cable is under load or stress
- Tool slots for secure and tight mounting
- Tested to IEC 60512-3-5a

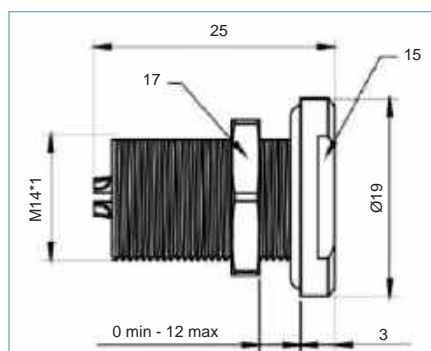
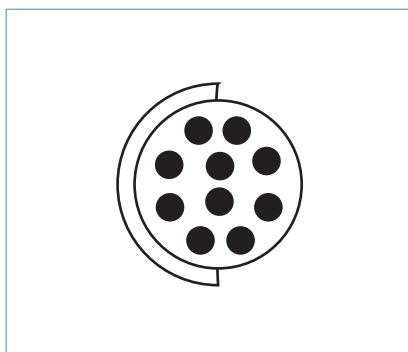
CCM3S1/10



PART NO.	DESCRIPTION	POLES	SERIES
CCM3S1/10	Female fixed socket	10	CCM series

SPECIFICATION

Shell style/model	DEU type fixed socket, female contact
Codes	Code 1
Contact type	Solder type
Contact diameter	0.7mm
Max. stranded conductor	AWG 21-22
Max diameter	0.79mm
Vtest (contact-shell)	1400V(AC) 2000V(DC)
Vtest (contact-contact)	1500V(AC) 2200V(DC)
Rated current	4.5A
Rated voltage	≤250V
Mechanical operation	5000 mating cycles
Housing material	Brass (natural chrome plated) shell and collet nut, nickel plated brass latch sleeve and mid pieces
Insulator	PPS
Contacts	Brass (gold plated)
Humidity (max)	<=95% [at 60°C /140°F]
Vibration	15g [10 Hz - 2000 Hz]
Shock resistance	100g [6 ms]
Salt spray corrosion	>72 hr
Climatical category	50/175/21
Shielding (min)	75 dB (10 MHz)
Shielding (min)	40 dB (1 GHz)
IP rating	IP68 (when connected and using environmental cable clamp)



KEY FEATURES

Key coded | Panel mounting socket | Flat face | Face slots for tightening with a tool

ACCESSORIES

Metal and rubber caps for sockets

PART NO.	DESCRIPTION
CCT31	Camcric metal cap for sockets A3



PART NO.	DESCRIPTION
CCT32	Camcric rubber cap for sockets A3



ASSOCIATED PRODUCTS

CCA3P1/A10

- CCA Series A3 size plug

page 113



Push-pull connectors female fixed socket CCM series



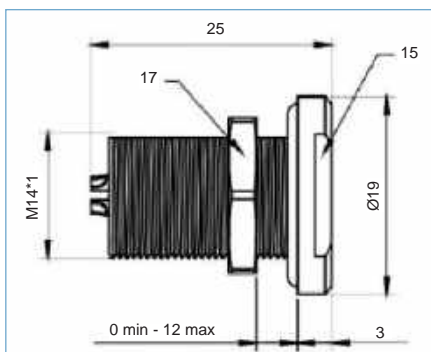
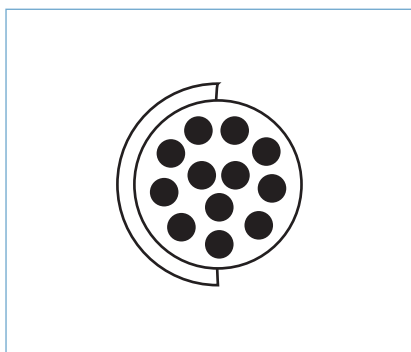
CCM3S1/12 12 pole

- Premium range of circular connectors
- IP68 sealed using vacuum technology (when connected and using environmental cable clamp)
- Tough, high performance interconnection solution
- Compact panel mounting design
- Ideal for harsh and extreme environments
- Suitable for broadcasting, autosport, military, rail, marine, security, industrial and agricultural applications
- Key coded to prevent misconnection
- Will not disconnect when the cable is under load or stress
- Tool slots for secure and tight mounting
- Tested to IEC 60512-3-5a



PART NO.	DESCRIPTION	POLES	SERIES
CCM3S1/12	Female fixed socket	12	CCM series

SPECIFICATION	
Shell style/model	DEU type fixed socket, female contact
Codes	Code 1
Contact type	Solder type
Contact diameter	0.7mm
Max. stranded conductor	AWG 21-22
Max diameter	0.79mm
Vtest (contact-shell)	1400V(AC) 2000V(DC)
Vtest (contact-contact)	1500V(AC) 2200V(DC)
Rated current	4.2A
Rated voltage	≤250V
Mechanical operation	5000 mating cycles
Housing material	Brass (natural chrome plated) shell and collet nut, nickel plated brass latch sleeve and mid pieces
Insulator	PPS
Contacts	Brass (gold plated)
Humidity (max)	≤95% [at 60°C /140°F]
Vibration	15g [10 Hz - 2000 Hz]
Shock resistance	100g [6 ms]
Salt spray corrosion	>72 hr
Climatical category	50/175/21
Shielding (min)	75 dB (10 MHz)
Shielding (min)	40 dB (1 GHz)
IP rating	IP68 (when connected and using environmental cable clamp)



KEY FEATURES

Key coded | Panel mounting socket | Flat face | Face slots for tightening with a tool

ACCESSORIES

Metal and rubber caps for sockets

PART NO.	DESCRIPTION
CCT31	Camcric metal cap for sockets A3



PART NO.	DESCRIPTION
CCT32	Camcric rubber cap for sockets A3



002
PCB TERMINAL
BLOCKS

081
TERMINAL STRIPS

095
WIRE TO BOARD
CONNECTORS

100
CIRCULAR
CONNECTORS

151
IP68 CONNECTORS

158
INTERFACE
MODULES AND
RELAY BASES

ASSOCIATED PRODUCTS

CCA3P1/A12

- CCA Series A3 size plug

page 114



002

PCB TERMINAL
BLOCKS

081

TERMINAL STRIPS

095

WIRE TO BOARD
CONNECTORS

100

CIRCULAR
CONNECTORS

151

IP68 CONNECTORS

158

INTERFACE
MODULES AND
RELAY BASES

Push-pull connectors female fixed socket CCM series



CCM4S1/16 16 pole

- Premium range of circular connectors
- IP68 sealed using vacuum technology (when connected and using environmental cable clamp)
- Tough, high performance interconnection solution
- Compact panel mounting design
- Ideal for harsh and extreme environments
- Suitable for broadcasting, autosport, military, rail, marine, security, industrial and agricultural applications
- Key coded to prevent misconnection
- Will not disconnect when the cable is under load or stress
- Tool slots for secure and tight mounting
- Tested to IEC 60512-3-5a

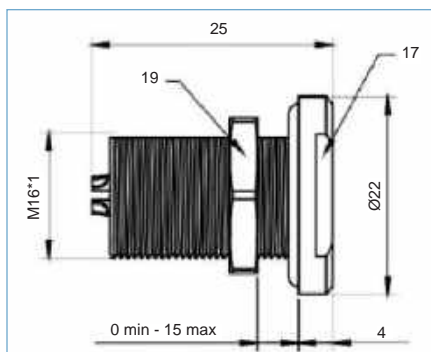
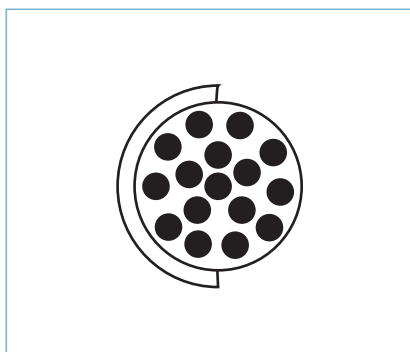
CCM4S1/16



PART NO.	DESCRIPTION	POLES	SERIES
CCM4S1/16	Female fixed socket	16	CCM series

SPECIFICATION

Shell style/model	DEU type fixed socket, female contact
Codes	Code 1
Contact type	Solder type
Contact diameter	0.7mm
Max. stranded conductor	AWG 21-22
Max diameter	0.79mm
Vtest (contact-shell)	1000V(AC) 1600V(DC)
Vtest (contact-contact)	1500V(AC) 2200V(DC)
Rated current	4.0A
Rated voltage	≤200V
Mechanical operation	5000 mating cycles
Housing material	Brass (natural chrome plated) shell and collet nut, nickel plated brass latch sleeve and mid pieces
Insulator	PPS
Contacts	Brass (gold plated)
Humidity (max)	<=95% [at 60°C /140°F]
Vibration	15g [10 Hz - 2000 Hz]
Shock resistance	100g [6 ms]
Salt spray corrosion	>72 hr
Climatical category	50/175/21
Shielding (min)	75 dB (10 MHz)
Shielding (min)	40 dB (1 GHz)
IP rating	IP68 (when connected and using environmental cable clamp)



KEY FEATURES

Key coded | Panel mounting socket | Flat face | Face slots for tightening with a tool

ACCESSORIES

Metal and rubber caps for sockets

PART NO.	DESCRIPTION
CCT41	Camcric metal cap for sockets A4



PART NO.	DESCRIPTION
CCT42	Camcric rubber cap for sockets A4



ASSOCIATED PRODUCTS

CCA4P1/A16

- CCA Series A4 size plug

page 116



Push-pull connectors female fixed socket CCB series



002
PCB TERMINAL BLOCKS

081
TERMINAL STRIPS

095
WIRE TO BOARD CONNECTORS

100
CIRCULAR CONNECTORS

151
IP68 CONNECTORS

158
INTERFACE MODULES AND RELAY BASES

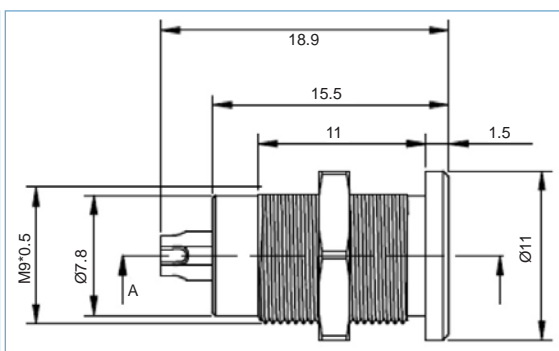
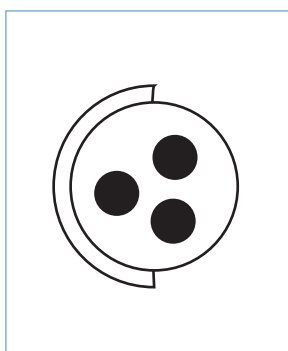
CCB1S1/03 3 pole

- Premium range of circular connectors
- IP68 sealed using vacuum technology (when connected and using environmental cable clamp)
- Tough, high performance interconnection solution
- Compact panel mounting design
- Ideal for harsh and extreme environments
- Suitable for broadcasting, autosport, military, rail, marine, security, industrial and agricultural applications
- Key coded to prevent misconnection
- Will not disconnect when the cable is under load or stress
- Tested to IEC 60512-3-5a



PART NO.	DESCRIPTION	POLES	SERIES
CCB1S1/03	Female fixed socket	03	CCB series

SPECIFICATION	
Shell style/model	D type fixed socket, female contact
Codes	Code 1
Contact type	Solder type
Contact diameter	0.9mm
Max. stranded conductor	AWG 21-22
Max diameter	0.79mm
Vtest (contact-shell)	1300V(AC) 1800V(DC)
Vtest (contact-contact)	1300V(AC) 1600V(DC)
Rated current	8.2A
Rated voltage	≤250V
Mechanical operation	5000 mating cycles
Housing material	Brass (natural chrome plated) shell and collet nut, nickel plated brass latch sleeve and mid pieces
Insulator	PPS
Contacts	Brass (gold plated)
Humidity (max)	≤95% [at 60°C /140°F]
Vibration	15g [10 Hz - 2000 Hz]
Shock resistance	100g [6 ms]
Salt spray corrosion	>72 hr
Climatical category	50/175/21
Shielding (min)	75 dB (10 MHz)
Shielding (min)	40 dB (1 GHz)
IP rating	IP68 (when connected and using environmental cable clamp)



KEY FEATURES

Key coded | Panel mounting socket | Flat face | Low profile

ACCESSORIES

Metal and rubber caps for sockets

PART NO.	DESCRIPTION
CCT11	Camcric metal cap for sockets A1



PART NO.	DESCRIPTION
CCT12	Camcric rubber cap for sockets A1



ASSOCIATED PRODUCTS

CCA1P1/A03

- CCA Series A1 size plug

page 102





002

PCB TERMINAL
BLOCKS

081

TERMINAL STRIPS

095

WIRE TO BOARD
CONNECTORS

100

CIRCULAR
CONNECTORS

151

IP68 CONNECTORS

158

INTERFACE
MODULES AND
RELAY BASES

Push-pull connectors female fixed socket CCB series



CCB1S1/04 4 pole

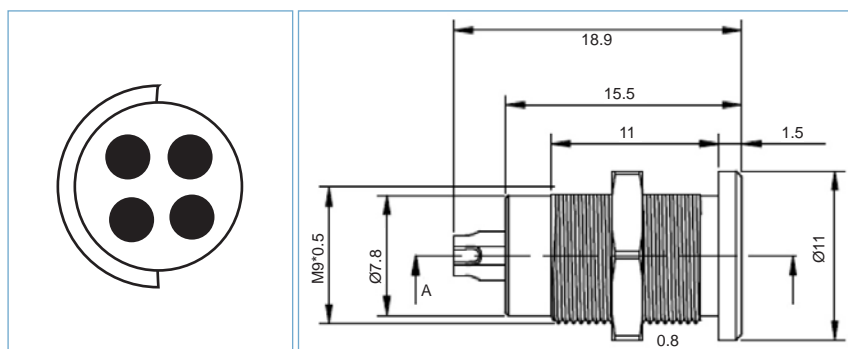
- Premium range of circular connectors
- IP68 sealed using vacuum technology (when connected and using environmental cable clamp)
- Tough, high performance interconnection solution
- Compact panel mounting design
- Ideal for harsh and extreme environments
- Suitable for broadcasting, autosport, military, rail, marine, security, industrial and agricultural applications
- Key coded to prevent misconnection
- Will not disconnect when the cable is under load or stress
- Tested to IEC 60512-3-5a

CCB1S1/04



PART NO.	DESCRIPTION	POLES	SERIES
CCB1S1/04	Female fixed socket	04	CCB series

SPECIFICATION	
Shell style/model	D type fixed socket, female contact
Codes	Code 1
Contact type	Solder type
Contact diameter	0.7mm
Max. stranded conductor	AWG 21-22
Max diameter	0.79mm
Vtest (contact-shell)	1200V(AC) 1700V(DC)
Vtest (contact-contact)	1200V(AC) 1800V(DC)
Rated current	5.5A
Rated voltage	≤200V
Mechanical operation	5000 mating cycles
Housing material	Brass (natural chrome plated) shell and collet nut, nickel plated brass latch sleeve and mid pieces
Insulator	PPS
Contacts	Brass (gold plated)
Humidity (max)	<=95% [at 60°C /140°F]
Vibration	15g [10 Hz - 2000 Hz]
Shock resistance	100g [6 ms]
Salt spray corrosion	>72 hr
Climatical category	50/175/21
Shielding (min)	75 dB (10 MHz)
Shielding (min)	40 dB (1 GHz)
IP rating	IP68 (when connected and using environmental cable clamp)



KEY FEATURES

Key coded | Panel mounting socket | Flat face | Low profile

ACCESSORIES

Metal and rubber caps for sockets

PART NO.	DESCRIPTION
CCT11	Camcric metal cap for sockets A1



PART NO.	DESCRIPTION
CCT12	Camcric rubber cap for sockets A1



ASSOCIATED PRODUCTS

CCA1P1/A04

- CCA Series A1 size plug

page 103



Push-pull connectors female fixed socket CCB series



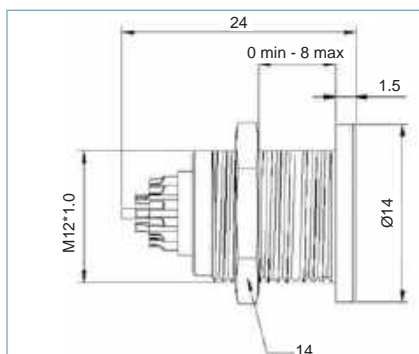
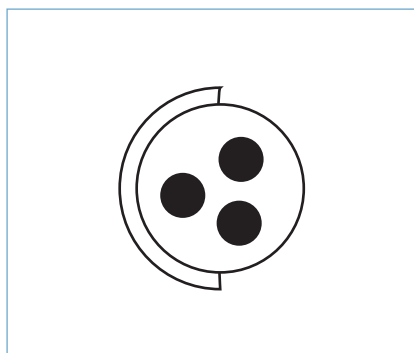
CCB2S1/03 3 pole

- Premium range of circular connectors
- IP68 sealed using vacuum technology (when connected and using environmental cable clamp)
- Tough, high performance interconnection solution
- Compact panel mounting design
- Ideal for harsh and extreme environments
- Suitable for broadcasting, autosport, military, rail, marine, security, industrial and agricultural applications
- Key coded to prevent misconnection
- Will not disconnect when the cable is under load or stress
- Tested to IEC 60512-3-5a



PART NO.	DESCRIPTION	POLES	SERIES
CCB2S1/03	Female fixed socket	03	CCB series

SPECIFICATION	
Shell style/model	D type fixed socket, female contact
Codes	Code 1
Contact type	Solder type
Contact diameter	1.3mm
Max. stranded conductor	AWG 17-18
Max diameter	1.18mm
Vtest (contact-shell)	1200V(AC) 1800V(DC)
Vtest (contact-contact)	1500V(AC) 2000V(DC)
Rated current	12A
Rated voltage	≤250V
Mechanical operation	5000 mating cycles
Housing material	Brass (natural chrome plated) shell and collet nut, nickel plated brass latch sleeve and mid pieces
Insulator	PPS
Contacts	Brass (gold plated)
Humidity (max)	≤95% [at 60°C /140°F]
Vibration	15g [10 Hz - 2000 Hz]
Shock resistance	100g [6 ms]
Salt spray corrosion	>72 hr
Climatical category	50/175/21
Shielding (min)	75 dB (10 MHz)
Shielding (min)	40 dB (1 GHz)
IP rating	IP68 (when connected and using environmental cable clamp)



KEY FEATURES

Key coded | Panel mounting socket | Flat face | Low profile

ACCESSORIES

Metal and rubber caps for sockets

PART NO.	DESCRIPTION
CCT21	Camcric metal cap for sockets A2



PART NO.	DESCRIPTION
CCT22	Camcric rubber cap for sockets A2



ASSOCIATED PRODUCTS

CCA2P1/A03

- CCA Series A2 size plug

page 107



002

PCB TERMINAL
BLOCKS

081

TERMINAL STRIPS

095

WIRE TO BOARD
CONNECTORS

100

CIRCULAR
CONNECTORS

151

IP68 CONNECTORS

158

INTERFACE
MODULES AND
RELAY BASES

Push-pull connectors female fixed socket CCB series



CCB2S1/04 4 pole

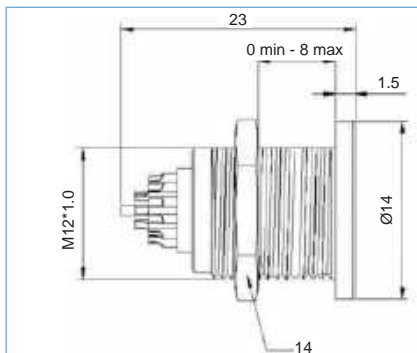
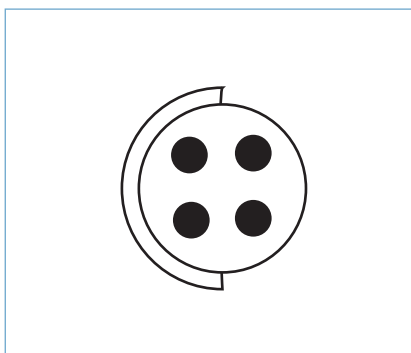
- Premium range of circular connectors
- IP68 sealed using vacuum technology (when connected and using environmental cable clamp)
- Tough, high performance interconnection solution
- Compact panel mounting design
- Ideal for harsh and extreme environments
- Suitable for broadcasting, autosport, military, rail, marine, security, industrial and agricultural applications
- Key coded to prevent misconnection
- Will not disconnect when the cable is under load or stress
- Tested to IEC 60512-3-5a

CCB2S1/04



PART NO.	DESCRIPTION	POLES	SERIES
CCB2S1/04	Female fixed socket	04	CCB series

SPECIFICATION	
Shell style/model	D type fixed socket, female contact
Codes	Code 1
Contact type	Solder type
Contact diameter	0.9mm
Max. stranded conductor	AWG 21-22
Max diameter	1.18mm
Vtest (contact-shell)	1100V(AC) 1900V(DC)
Vtest (contact-contact)	1400V(AC) 2200V(DC)
Rated current	7.0A
Rated voltage	≤250V
Mechanical operation	5000 mating cycles
Housing material	Brass (natural chrome plated) shell and collet nut, nickel plated brass latch sleeve and mid pieces
Insulator	PPS
Contacts	Brass (gold plated)
Humidity (max)	<=95% [at 60°C /140°F]
Vibration	15g [10 Hz - 2000 Hz]
Shock resistance	100g [6 ms]
Salt spray corrosion	>72 hr
Climatical category	50/175/21
Shielding (min)	75 dB (10 MHz)
Shielding (min)	40 dB (1 GHz)
IP rating	IP68 (when connected and using environmental cable clamp)



KEY FEATURES

Key coded | Panel mounting socket | Flat face | Low profile

ACCESSORIES

Metal and rubber caps for sockets

PART NO.	DESCRIPTION
CCT21	Camcric metal cap for sockets A2



PART NO.	DESCRIPTION
CCT22	Camcric rubber cap for sockets A2



ASSOCIATED PRODUCTS

CCA2P1/A04

- CCA Series A2 size plug

page 108



Push-pull connectors female fixed socket CCB series



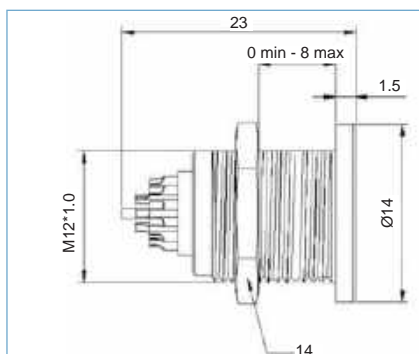
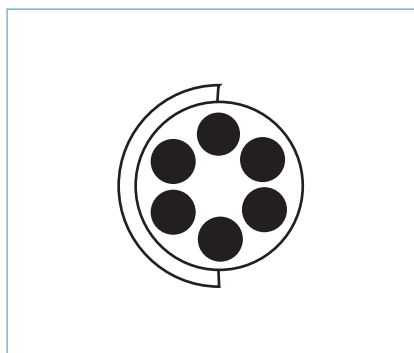
CCB2S1/06 6 pole

- Premium range of circular connectors
- IP68 sealed using vacuum technology (when connected and using environmental cable clamp)
- Tough, high performance interconnection solution
- Compact panel mounting design
- Ideal for harsh and extreme environments
- Suitable for broadcasting, autosport, military, rail, marine, security, industrial and agricultural applications
- Key coded to prevent misconnection
- Will not disconnect when the cable is under load or stress
- Tested to IEC 60512-3-5a



PART NO.	DESCRIPTION	POLES	SERIES
CCB2S1/06	Female fixed socket	06	CCB series

SPECIFICATION	
Shell style/model	D type fixed socket, female contact
Codes	Code 1
Contact type	Solder type
Contact diameter	0.7mm
Max. stranded conductor	AWG 21-22
Max diameter	0.79mm
Vtest (contact-shell)	1000V(AC) 2000V(DC)
Vtest (contact-contact)	1300V(AC) 2000V(DC)
Rated current	5.2A
Rated voltage	≤250V
Mechanical operation	5000 mating cycles
Housing material	Brass (natural chrome plated) shell and collet nut, nickel plated brass latch sleeve and mid pieces
Insulator	PPS
Contacts	Brass (gold plated)
Humidity (max)	≤95% [at 60°C /140°F]
Vibration	15g [10 Hz - 2000 Hz]
Shock resistance	100g [6 ms]
Salt spray corrosion	>72 hr
Climatical category	50/175/21
Shielding (min)	75 dB (10 MHz)
Shielding (min)	40 dB (1 GHz)
IP rating	IP68 (when connected and using environmental cable clamp)



KEY FEATURES

Key coded | Panel mounting socket | Flat face | Low profile

ACCESSORIES

Metal and rubber caps for sockets

PART NO.	DESCRIPTION
CCT21	Camcric metal cap for sockets A2



PART NO.	DESCRIPTION
CCT22	Camcric rubber cap for sockets A2



ASSOCIATED PRODUCTS

CCA2P1/A06

- CCA Series A2 size plug

page 110



002

PCB TERMINAL
BLOCKS

081

TERMINAL STRIPS

095

WIRE TO BOARD
CONNECTORS

100

CIRCULAR
CONNECTORS

151

IP68 CONNECTORS

158

INTERFACE
MODULES AND
RELAY BASES

Push-pull connectors female fixed socket CCB series



CCB2S1/07 7 pole

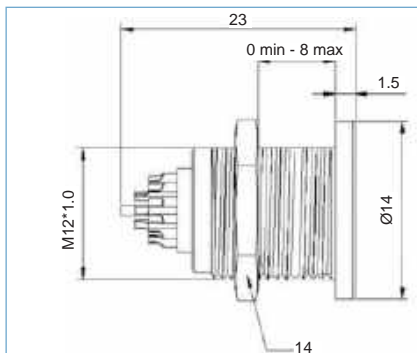
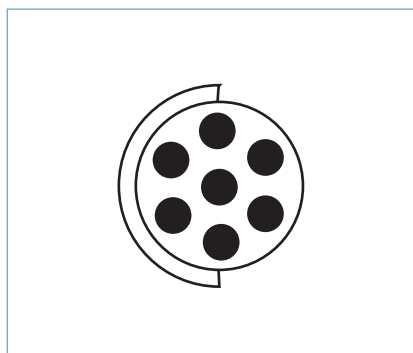
- Premium range of circular connectors
- IP68 sealed using vacuum technology (when connected and using environmental cable clamp)
- Tough, high performance interconnection solution
- Compact panel mounting design
- Ideal for harsh and extreme environments
- Suitable for broadcasting, autosport, military, rail, marine, security, industrial and agricultural applications
- Key coded to prevent misconnection
- Will not disconnect when the cable is under load or stress
- Tested to IEC 60512-3-5a

CCB2S1/07



PART NO.	DESCRIPTION	POLES	SERIES
CCB2S1/07	Female fixed socket	07	CCB series

SPECIFICATION	
Shell style/model	D type fixed socket, female contact
Codes	Code 1
Contact type	Solder type
Contact diameter	0.7mm
Max. stranded conductor	AWG 21-22
Max diameter	0.79mm
Vtest (contact-shell)	1000V(AC) 2000V(DC)
Vtest (contact-contact)	1300V(AC) 2000V(DC)
Rated current	5.0A
Rated voltage	≤250V
Mechanical operation	5000 mating cycles
Housing material	Brass (natural chrome plated) shell and collet nut, nickel plated brass latch sleeve and mid pieces
Insulator	PPS
Contacts	Brass (gold plated)
Humidity (max)	<=95% [at 60°C /140°F]
Vibration	15g [10 Hz - 2000 Hz]
Shock resistance	100g [6 ms]
Salt spray corrosion	>72 hr
Climatical category	50/175/21
Shielding (min)	75 dB (10 MHz)
Shielding (min)	40 dB (1 GHz)
IP rating	IP68 (when connected and using environmental cable clamp)



KEY FEATURES

Key coded | Panel mounting socket | Flat face | Low profile

ACCESSORIES

Metal and rubber caps for sockets

PART NO.	DESCRIPTION
CCT21	Camcric metal cap for sockets A2



PART NO.	DESCRIPTION
CCT22	Camcric rubber cap for sockets A2



ASSOCIATED PRODUCTS

CCA2P1/A07

- CCA Series A2 size plug

page 111



Push-pull connectors female fixed socket CCB series



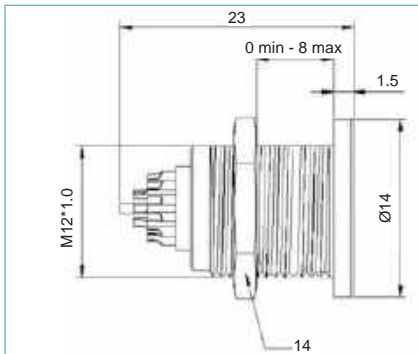
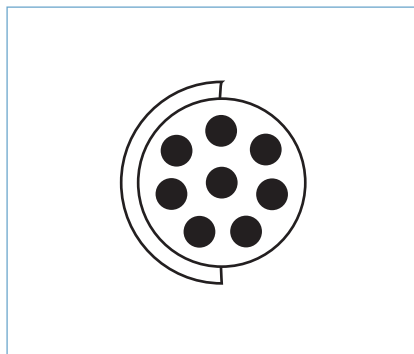
CCB2S1/08 8 pole

- Premium range of circular connectors
- IP68 sealed using vacuum technology (when connected and using environmental cable clamp)
- Tough, high performance interconnection solution
- Compact panel mounting design
- Ideal for harsh and extreme environments
- Suitable for broadcasting, autosport, military, rail, marine, security, industrial and agricultural applications
- Key coded to prevent misconnection
- Will not disconnect when the cable is under load or stress
- Tested to IEC 60512-3-5a



PART NO.	DESCRIPTION	POLES	SERIES
CCB2S1/08	Female fixed socket	08	CCB series

SPECIFICATION	
Shell style/model	D type fixed socket, female contact
Codes	Code 1
Contact type	Solder type
Contact diameter	0.7mm
Max. stranded conductor	AWG 21-22
Max diameter	0.79mm
Vtest (contact-shell)	800V(AC) 1400V(DC)
Vtest (contact-contact)	1100V(AC) 1900V(DC)
Rated current	3.9A
Rated voltage	≤200V
Mechanical operation	5000 mating cycles
Housing material	Brass (natural chrome plated) shell and collet nut, nickel plated brass latch sleeve and mid pieces
Insulator	PPS
Contacts	Brass (gold plated)
Humidity (max)	≤95% [at 60°C /140°F]
Vibration	15g [10 Hz - 2000 Hz]
Shock resistance	100g [6 ms]
Salt spray corrosion	>72 hr
Climatical category	50/175/21
Shielding (min)	75 dB (10 MHz)
Shielding (min)	40 dB (1 GHz)
IP rating	IP68 (when connected and using environmental cable clamp)



KEY FEATURES

Key coded | Panel mounting socket | Flat face | Low profile

ACCESSORIES

Metal and rubber caps for sockets

PART NO.	DESCRIPTION
CCT21	Camcric metal cap for sockets A2



PART NO.	DESCRIPTION
CCT22	Camcric rubber cap for sockets A2



ASSOCIATED PRODUCTS

CCA2P1/A08

- CCA Series A2 size plug

page 112



002
PCB TERMINAL
BLOCKS

081
TERMINAL STRIPS

095
WIRE TO BOARD
CONNECTORS

100
CIRCULAR
CONNECTORS

151
IP68 CONNECTORS

158
INTERFACE
MODULES AND
RELAY BASES



002

PCB TERMINAL
BLOCKS

081

TERMINAL STRIPS

095

WIRE TO BOARD
CONNECTORS

100

CIRCULAR
CONNECTORS

151

IP68 CONNECTORS

158

INTERFACE
MODULES AND
RELAY BASES

Push-pull connectors female fixed socket CCB series



CCB3S1/19 19 pole

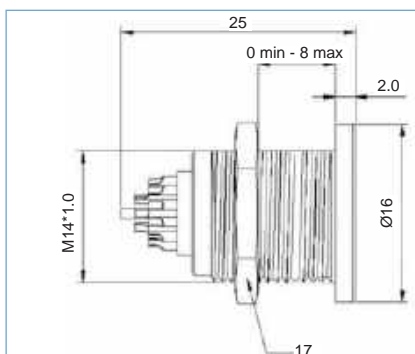
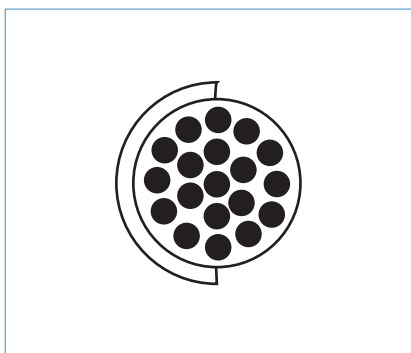
- Premium range of circular connectors
- IP68 sealed using vacuum technology (when connected and using environmental cable clamp)
- Tough, high performance interconnection solution
- Compact panel mounting design
- Ideal for harsh and extreme environments
- Suitable for broadcasting, autosport, military, rail, marine, security, industrial and agricultural applications
- Key coded to prevent misconnection
- Will not disconnect when the cable is under load or stress
- Tested to IEC 60512-3-5a

CCB3S1/19



PART NO.	DESCRIPTION	POLES	SERIES
CCB3S1/19	Female fixed socket	19	CCB series

SPECIFICATION	
Shell style/model	D type fixed socket, female contact
Codes	Code 1
Contact type	Solder type
Contact diameter	0.5mm
Max. stranded conductor	AWG 26-28
Max diameter	0.79mm
Vtest (contact-shell)	800V(AC) 1400V(DC)
Vtest (contact-contact)	1100V(AC) 1900V(DC)
Rated current	3.9A
Rated voltage	≤200V
Mechanical operation	5000 mating cycles
Housing material	Brass (natural chrome plated) shell and collet nut, nickel plated brass latch sleeve and mid pieces
Insulator	PPS
Contacts	Brass (gold plated)
Humidity (max)	<=95% [at 60°C /140°F]
Vibration	15g [10 Hz - 2000 Hz]
Shock resistance	100g [6 ms]
Salt spray corrosion	>72 hr
Climatical category	50/175/21
Shielding (min)	75 dB (10 MHz)
Shielding (min)	40 dB (1 GHz)
IP rating	IP68 (when connected and using environmental cable clamp)



KEY FEATURES

Key coded | Panel mounting socket | Flat face | Low profile

ACCESSORIES

Metal and rubber caps for sockets

PART NO.	DESCRIPTION
CCT31	Camcric metal cap for sockets A3



PART NO.	DESCRIPTION
CCT32	Camcric rubber cap for sockets A3



ASSOCIATED PRODUCTS

CCA3P1/A19

- CCA Series A3 size plug

page 115



Push-pull connectors female fixed socket CCB series



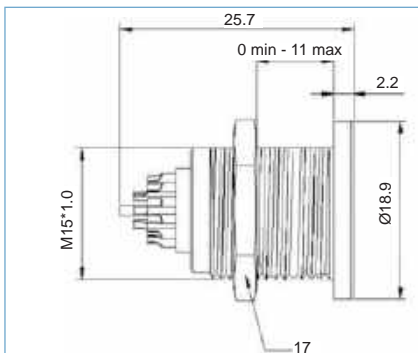
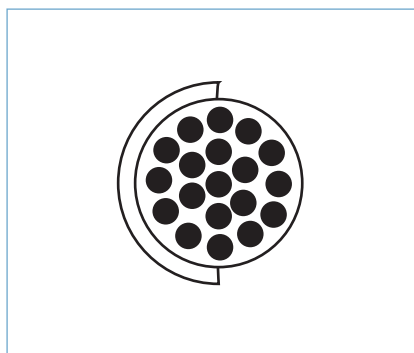
CCB4S1/19 19 pole

- Premium range of circular connectors
- IP68 sealed using vacuum technology (when connected and using environmental cable clamp)
- Tough, high performance interconnection solution
- Compact panel mounting design
- Ideal for harsh and extreme environments
- Suitable for broadcasting, autosport, military, rail, marine, security, industrial and agricultural applications
- Key coded to prevent misconnection
- Will not disconnect when the cable is under load or stress
- Tested to IEC 60512-3-5a



PART NO.	DESCRIPTION	POLES	SERIES
CCB4S1/19	Female fixed socket	19	CCB series

SPECIFICATION	
Shell style/model	D type fixed socket, female contact
Codes	Code 1
Contact type	Solder type
Contact diameter	0.7mm
Max. stranded conductor	AWG 21-22
Max diameter	0.79mm
Vtest (contact-shell)	800V(AC) 1200V(DC)
Vtest (contact-contact)	1200V(AC) 1800V(DC)
Rated current	3.5A
Rated voltage	≤200V
Mechanical operation	5000 mating cycles
Housing material	Brass (natural chrome plated) shell and collet nut, nickel plated brass latch sleeve and mid pieces
Insulator	PPS
Contacts	Brass (gold plated)
Humidity (max)	≤95% [at 60°C /140°F]
Vibration	15g [10 Hz - 2000 Hz]
Shock resistance	100g [6 ms]
Salt spray corrosion	>72 hr
Climatical category	50/175/21
Shielding (min)	75 dB (10 MHz)
Shielding (min)	40 dB (1 GHz)
IP rating	IP68 (when connected and using environmental cable clamp)



KEY FEATURES

Key coded | Panel mounting socket | Flat face | Low profile

ACCESSORIES

Metal and rubber caps for sockets

PART NO.	DESCRIPTION
CCT41	Camcric metal cap for sockets A4



PART NO.	DESCRIPTION
CCT42	Camcric rubber cap for sockets A4



ASSOCIATED PRODUCTS

CCA4P1/A19

- CCA Series A4 size plug

page 117



002
PCB TERMINAL
BLOCKS

081
TERMINAL STRIPS

095
WIRE TO BOARD
CONNECTORS

100
CIRCULAR
CONNECTORS

151
IP68 CONNECTORS

158
INTERFACE
MODULES AND
RELAY BASES



002

PCB TERMINAL
BLOCKS

081

TERMINAL STRIPS

095

WIRE TO BOARD
CONNECTORS

100

CIRCULAR
CONNECTORS

151

IP68 CONNECTORS

158

INTERFACE
MODULES AND
RELAY BASES

Push-pull connectors female fixed socket CCE series



CCE1S1/03 3 pole

- Premium range of circular connectors
- IP68 sealed using vacuum technology (when connected and using environmental cable clamp)
- Tough, high performance interconnection solution
- Ideal for harsh and extreme environments
- Suitable for broadcasting, motorsport, military, rail, marine, security, industrial and agricultural applications
- Key coded to prevent misconnection
- Will not disconnect when the cable is under load or stress
- Tested to IEC 60512-3-5a

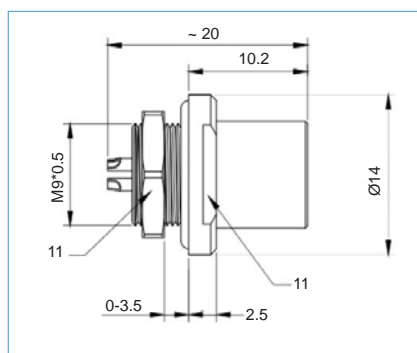
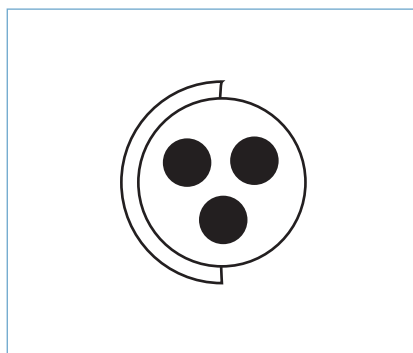
CCE1S1/03



PART NO.	DESCRIPTION	POLES	SERIES
CCE1S1/03	Female fixed socket	03	CCE series

SPECIFICATION

Shell style/model	DBEU type fixed socket, female contact
Codes	Code 1
Contact type	Solder type
Contact diameter	0.9mm
Max. stranded conductor	AWG 21-22
Max diameter	0.79mm
Vtest (contact-shell)	1300V(AC) 1800V(DC)
Vtest (contact-contact)	1300V(AC) 1600V(DC)
Rated current	8.2A
Rated voltage	≤250V
Mechanical operation	5000 mating cycles
Housing material	Brass (natural chrome plated) shell and collet nut, nickel plated brass latch sleeve and mid pieces
Insulator	PPS
Contacts	Brass (gold plated)
Humidity (max)	<=95% [at 60°C /140°F]
Vibration	15g [10 Hz - 2000 Hz]
Shock resistance	100g [6 ms]
Salt spray corrosion	>72 hr
Climatical category	50/175/21
Shielding (min)	75 dB (10 MHz)
Shielding (min)	40 dB (1 GHz)
IP rating	IP68 (when connected and using environmental cable clamp)



KEY FEATURES

Key coded | Panel mounting socket | Raised plug for location in low light conditions

ACCESSORIES

Metal and rubber caps for sockets

PART NO.	DESCRIPTION
CCT1	Camcirk metal cap for sockets A1



PART NO.	DESCRIPTION
CCT12	Camcirk rubber cap for sockets A1



ASSOCIATED PRODUCTS

CCA1P1/A03

- CCA Series A1 size plug

page 102



Push-pull connectors female fixed socket CCE series



CCE1S1/05 5 pole

- Premium range of circular connectors
- IP68 sealed using vacuum technology (when connected and using environmental cable clamp)
- Tough, high performance interconnection solution
- Ideal for harsh and extreme environments
- Suitable for broadcasting, autosport, military, rail, marine, security, industrial and agricultural applications
- Key coded to prevent misconnection
- Will not disconnect when the cable is under load or stress
- Tested to IEC 60512-3-5a

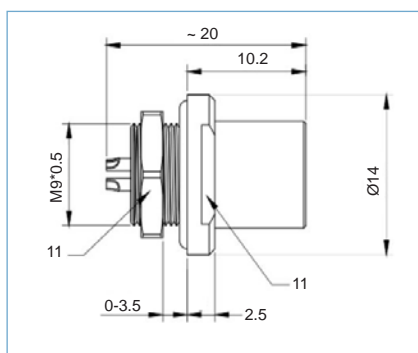
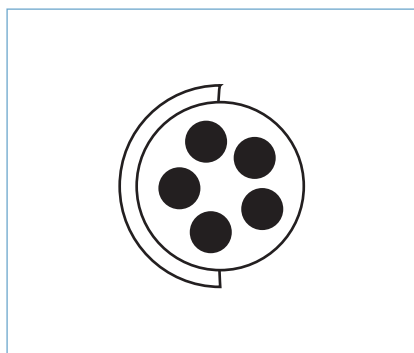
CCE1S1/05



PART NO.	DESCRIPTION	POLES	SERIES
CCE1S1/05	Female fixed socket	05	CCE series

SPECIFICATION

Shell style/model	DBEU type fixed socket, female contact
Codes	Code 1
Contact type	Solder type
Contact diameter	0.7mm
Max. stranded conductor	AWG 21-22
Max diameter	0.79mm
Vtest (contact-shell)	800V(AC) 1300V(DC)
Vtest (contact-contact)	1000V(AC) 1800V(DC)
Rated current	5.2A
Rated voltage	≤160V
Mechanical operation	5000 mating cycles
Housing material	Brass (natural chrome plated) shell and collet nut, nickel plated brass latch sleeve and mid pieces
Insulator	PPS
Contacts	Brass (gold plated)
Humidity (max)	≤95% [at 60°C /140°F]
Vibration	15g [10 Hz - 2000 Hz]
Shock resistance	100g [6 ms]
Salt spray corrosion	>72 hr
Climatical category	50/175/21
Shielding (min)	75 dB (10 MHz)
Shielding (min)	40 dB (1 GHz)
IP rating	IP68 (when connected and using environmental cable clamp)



KEY FEATURES

Key coded | Panel mounting socket | Raised plug for location in low light conditions

ACCESSORIES

Metal and rubber caps for sockets

PART NO.	DESCRIPTION
CCT11	Camcric metal cap for sockets A1



PART NO.	DESCRIPTION
CCT12	Camcric rubber cap for sockets A1



ASSOCIATED PRODUCTS

CCA1P1/A05

- CCA Series A1 size plug

page 104



002

PCB TERMINAL
BLOCKS

081

TERMINAL STRIPS

095

WIRE TO BOARD
CONNECTORS

100

CIRCULAR
CONNECTORS

151

IP68 CONNECTORS

158

INTERFACE
MODULES AND
RELAY BASES

Push-pull connectors female fixed socket CCE series

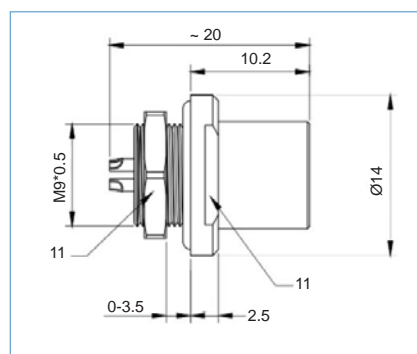
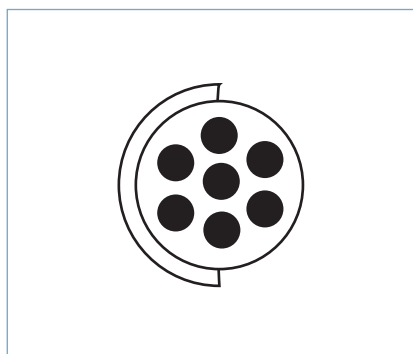


CCE1S1/07 7 pole

- Premium range of circular connectors
- IP68 sealed using vacuum technology (when connected and using environmental cable clamp)
- Tough, high performance interconnection solution
- Ideal for harsh and extreme environments
- Suitable for broadcasting, autosport, military, rail, marine, security, industrial and agricultural applications
- Key coded to prevent misconnection
- Will not disconnect when the cable is under load or stress
- Tested to IEC 60512-3-5a



PART NO.	DESCRIPTION	POLES	SERIES
CCE1S1/07	Female fixed socket	07	CCE series



SPECIFICATION	
Shell style/model	DBEU type fixed socket, female contact
Codes	Code 1
Contact type	Solder type
Contact diameter	0.5mm
Max. stranded conductor	AWG 21-22
Max diameter	0.43mm
Vtest (contact-shell)	800V(AC) 1300V(DC)
Vtest (contact-contact)	1000V(AC) 1800V(DC)
Rated current	2.0A
Rated voltage	≤160V
Mechanical operation	5000 mating cycles
Housing material	Brass (natural chrome plated) shell and collet nut, nickel plated brass latch sleeve and mid pieces
Insulator	PPS
Contacts	Brass (gold plated)
Humidity (max)	<=95% [at 60°C /140°F]
Vibration	15g [10 Hz - 2000 Hz]
Shock resistance	100g [6 ms]
Salt spray corrosion	>72 hr
Climatical category	50/175/21
Shielding (min)	75 dB (10 MHz)
Shielding (min)	40 dB (1 GHz)
IP rating	IP68 (when connected and using environmental cable clamp)

KEY FEATURES

Key coded | Panel mounting socket | Raised plug for location in low light conditions

ACCESSORIES

Metal and rubber caps for sockets

PART NO.	DESCRIPTION
CCT1	Camcric metal cap for sockets A1



PART NO.	DESCRIPTION
CCT12	Camcric rubber cap for sockets A1



ASSOCIATED PRODUCTS

CCA1P1/A07

- CCA Series A1 size plug

page 105



Push-pull connectors female fixed socket CCE series



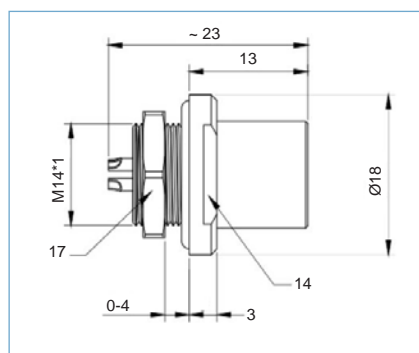
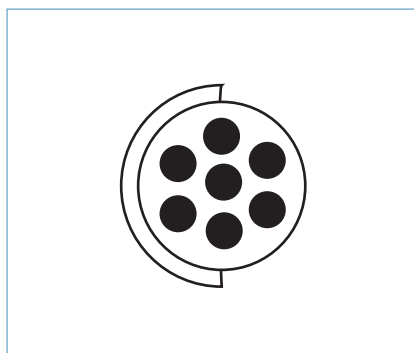
CCE2S1/07 7 pole

- Premium range of circular connectors
- IP68 sealed using vacuum technology (when connected and using environmental cable clamp)
- Tough, high performance interconnection solution
- Ideal for harsh and extreme environments
- Suitable for broadcasting, autosport, military, rail, marine, security, industrial and agricultural applications
- Key coded to prevent misconnection
- Will not disconnect when the cable is under load or stress
- Tool slots for secure and tight mounting
- Tested to IEC 60512-3-5a



PART NO.	DESCRIPTION	POLES	SERIES
CCE2S1/07	Female fixed socket	07	CCE series

SPECIFICATION	
Shell style/model	DBEU type fixed socket, female contact
Codes	Code 1
Contact type	Solder type
Contact diameter	0.7mm
Max. stranded conductor	AWG 21-22
Max diameter	0.79mm
Vtest (contact-shell)	1000V(AC) 2000V(DC)
Vtest (contact-contact)	1300V(AC) 2000V(DC)
Rated current	5.0A
Rated voltage	≤250V
Mechanical operation	5000 mating cycles
Housing material	Brass (natural chrome plated) shell and collet nut, nickel plated brass latch sleeve and mid pieces
Insulator	PPS
Contacts	Brass (gold plated)
Humidity (max)	≤95% [at 60°C /140°F]
Vibration	15g [10 Hz - 2000 Hz]
Shock resistance	100g [6 ms]
Salt spray corrosion	>72 hr
Climatical category	50/175/21
Shielding (min)	75 dB (10 MHz)
Shielding (min)	40 dB (1 GHz)
IP rating	IP68 (when connected and using environmental cable clamp)



KEY FEATURES

Key coded | Panel mounting socket | Raised plug for location in low light conditions

ACCESSORIES

Metal and rubber caps for sockets

PART NO.	DESCRIPTION
CCT21	Camcric metal cap for sockets A2



PART NO.	DESCRIPTION
CCT22	Camcric rubber cap for sockets A2



ASSOCIATED PRODUCTS

CCA2P1/A07

- CCA Series A2 size plug

page 111



002

PCB TERMINAL
BLOCKS

081

TERMINAL STRIPS

095

WIRE TO BOARD
CONNECTORS

100

CIRCULAR
CONNECTORS

151

IP68 CONNECTORS

158

INTERFACE
MODULES AND
RELAY BASES

Push-pull connectors female fixed socket CCD series



CCD2S1/04 4 pole

- Premium range of circular connectors
- IP68 sealed using vacuum technology (when connected and using environmental cable clamp)
- Tough, high performance interconnection solution
- Ideal for harsh and extreme environments
- Suitable for broadcasting, motorsport, military, rail, marine, security, industrial and agricultural applications
- Key coded to prevent misconnection
- Will not disconnect when the cable is under load or stress
- Tested to IEC 60512-3-5a

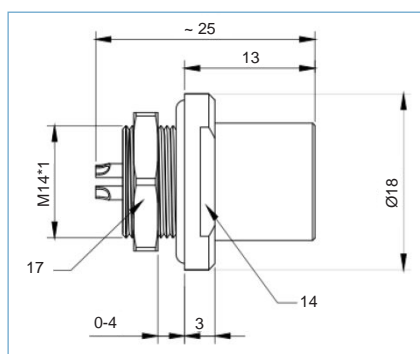
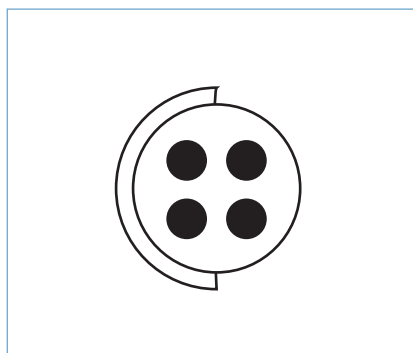
CCD2S1/04



PART NO.	DESCRIPTION	POLES	SERIES
CCD2S1/04	Female fixed socket	04	CCD series

SPECIFICATION

Shell style/model	DBEU type fixed socket, female contact
Codes	Code 1
Contact type	Solder type
Contact diameter	0.9mm
Max. stranded conductor	AWG 21-22
Max diameter	0.79mm
Vtest (contact-shell)	1200V(AC) 2000V(DC)
Vtest (contact-contact)	1600V(AC) 2400V(DC)
Rated current	7.0A
Rated voltage	≤250V
Mechanical operation	5000 mating cycles
Housing material	Brass (natural chrome plated) shell and collet nut, nickel plated brass latch sleeve and mid pieces
Insulator	PPS
Contacts	Brass (gold plated)
Humidity (max)	<=95% [at 60°C /140°F]
Vibration	15g [10 Hz - 2000 Hz]
Shock resistance	100g [6 ms]
Salt spray corrosion	>72 hr
Climatical category	50/175/21
Shielding (min)	75 dB (10 MHz)
Shielding (min)	40 dB (1 GHz)
IP rating	IP68 (when connected and using environmental cable clamp)



KEY FEATURES

Key coded | Panel mounting socket | Raised plug for location in low light conditions

ACCESSORIES

Metal and rubber caps for sockets

PART NO.	DESCRIPTION
CCT21	Camcric metal cap for sockets A2



PART NO.	DESCRIPTION
CCT22	Camcric rubber cap for sockets A2



ASSOCIATED PRODUCTS

CCA2P1/A04

- CCA Series A2 size plug

page 108



Push-pull connectors female cable mount series



002
PCB TERMINAL
BLOCKS

081
TERMINAL STRIPS

095
WIRE TO BOARD
CONNECTORS

100
CIRCULAR
CONNECTORS

151
IP68 CONNECTORS

158
INTERFACE
MODULES AND
RELAY BASES

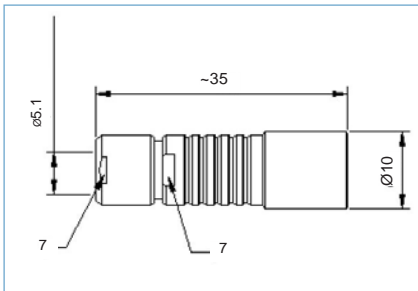
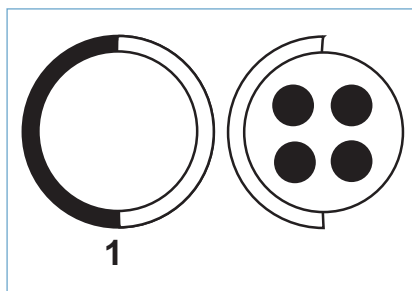
CCS1S1/04 4 pole

- Premium range of circular connectors
- IP68 sealed using vacuum technology (when connected and using environmental cable clamp)
- Tough, high performance interconnection solution
- Ideal for harsh and extreme environments
- Suitable for broadcasting, autosport, military, rail, security and industrial applications
- Key coded to prevent misconnection
- Will not disconnect when the cable is under load or stress
- Cable mounting
- Tested to IEC 60512-3-5a
- Cable clamp required for use with this series



PART NO.	DESCRIPTION	POLES	SERIES
CCS1S1/04	Female cable mount	4	CCS series

SPECIFICATION	
Shell style/model	Free cable mount socket connector, female contact
Codes	Code 1
Contact type	Solder type
Contact diameter	0.7mm
Max. stranded conductor	AWG 21-22
Max diameter	0.79mm
Vtest (contact-shell)	1200V(AC) 1700V(DC)
Vtest (contact-contact)	1200V(AC) 1800V(DC)
Rated current	5.5A
Rated voltage	≤200V
Mechanical operation	5000 mating cycles
Housing material	Brass (natural chrome plated) shell and collet nut, nickel plated brass latch sleeve and mid pieces
Insulator	PPS
Contacts	Brass (gold plated)
Humidity (max)	<=95% [at 60°C /140°F]
Vibration	15g [10 Hz - 2000 Hz]
Shock resistance	100g [6 ms]
Salt spray corrosion	>72 hr
Climatical category	50/175/21
Shielding (min)	75 dB (10 MHz)
Shielding (min)	40 dB (1 GHz)
IP rating	IP68 (when connected and using environmental cable clamp)



KEY FEATURES

Key coded | Cable mounting socket | Cable clamps required

This product should be used with the following cable clamps:

PART NO.	WIRE RANGE
CCVIC/CC	2.6 - 3.1mm
CCVIC/CD	3.1-3.6mm
CCVIC/CE	3.6-4.1mm
CCVIC/CF	4.1-4.3mm



Non IP68 cable clamps also available

ACCESSORIES

Metal and rubber caps for sockets

PART NO.	DESCRIPTION
CCT11	Camcric metal cap for sockets A1



PART NO.	DESCRIPTION
CCT12	Camcric rubber cap for sockets A1



ASSOCIATED PRODUCTS

CCA1P1/A04

- CCA Series A1 size plug

page 103





002

PCB TERMINAL
BLOCKS

081

TERMINAL STRIPS

095

WIRE TO BOARD
CONNECTORS

100

CIRCULAR
CONNECTORS

151

IP68 CONNECTORS

158

INTERFACE
MODULES AND
RELAY BASES

Push-pull connectors female cable mount CCT series



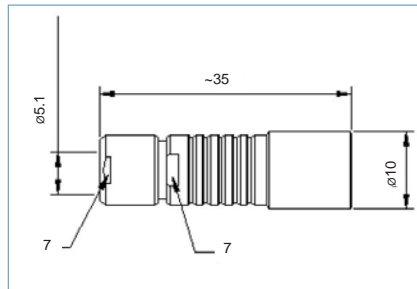
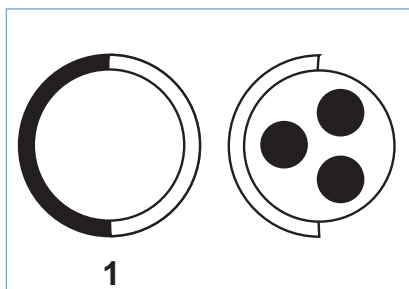
CCT1S1/03 3 pole

- Premium range of circular connectors
- IP68 sealed using vacuum technology (when connected and using environmental cable clamp)
- Tough, high performance interconnection solution
- Ideal for harsh and extreme environments
- Suitable for broadcasting, autosport, military, rail, security and industrial applications
- Key coded to prevent misconnection
- Will not disconnect when the cable is under load or stress
- Cable mounting
- Tested to IEC 60512-3-5a
- Cable clamp required for use with this series



PART NO.	DESCRIPTION	POLES	SERIES
CCT1S1/03	Female cable mount	3	CCT series

SPECIFICATION	
Shell style/model	Free cable mount socket connector, female contact
Codes	Code 1
Contact type	Solder type
Contact diameter	0.9mm
Max. stranded conductor	AWG 21-22
Max diameter	0.79mm
Vtest (contact-shell)	1300V(AC) 1800V(DC)
Vtest (contact-contact)	1300V(AC) 1600V(DC)
Rated current	8.2A
Rated voltage	≤250V
Mechanical operation	5000 mating cycles
Housing material	Brass (natural chrome plated) shell and collet nut, nickel plated brass latch sleeve and mid pieces
Insulator	PPS
Contacts	Brass (gold plated)
Humidity (max)	≤95% [at 60°C /140°F]
Vibration	15g [10 Hz - 2000 Hz]
Shock resistance	100g [6 ms]
Salt spray corrosion	>72 hr
Climatical category	50/175/21
Shielding (min)	75 dB (10 MHz)
Shielding (min)	40 dB (1 GHz)
IP rating	IP68 (when connected and using environmental cable clamp)



KEY FEATURES

Key coded | Cable mounting socket | Cable clamps required

This product should be used with the following cable clamps:

PART NO.	WIRE RANGE
CCVIC/CC	2.6 - 3.1mm
CCVIC/CD	3.1-3.6mm
CCVIC/CE	3.6-4.1mm
CCVIC/CF	4.1-4.3mm



Non IP68 cable clamps also available

ACCESSORIES

Metal and rubber caps for sockets

PART NO.	DESCRIPTION
CCT11	Camcric metal cap for sockets A1



PART NO.	DESCRIPTION
CCT12	Camcric rubber cap for sockets A1



ASSOCIATED PRODUCTS

CCA1P1/A03

- CCA Series A1 size plug

page 102

Push-pull connectors female cable mount CCT series



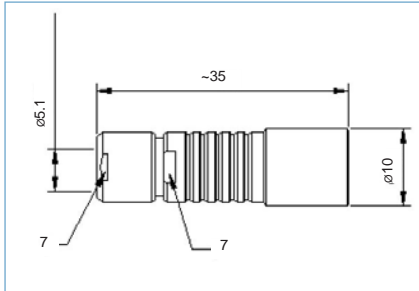
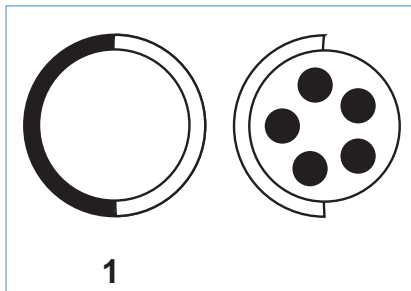
CCT1S1/05 5 pole

- Premium range of circular connectors
- IP68 sealed using vacuum technology (when connected and using environmental cable clamp)
- Tough, high performance interconnection solution
- Ideal for harsh and extreme environments
- Suitable for broadcasting, autosport, military, rail, security and industrial applications
- Key coded to prevent misconnection
- Will not disconnect when the cable is under load or stress
- Cable mounting
- Tested to IEC 60512-3-5a
- Cable clamp required for use with this series



PART NO.	DESCRIPTION	POLES	SERIES
CCT1S1/05	Female cable mount	5	CCT series

SPECIFICATION	
Shell style/model	Free cable mount socket connector, female contact
Codes	Code 1
Contact type	Solder type
Contact diameter	0.7mm
Max. stranded conductor	AWG 21-22
Max diameter	0.79mm
Vtest (contact-shell)	800V(AC) 1300V(DC)
Vtest (contact-contact)	1000V(AC) 1800V(DC)
Rated current	5.2A
Rated voltage	≤160V
Mechanical operation	5000 mating cycles
Housing material	Brass (natural chrome plated) shell and collet nut, nickel plated brass latch sleeve and mid pieces
Insulator	PPS
Contacts	Brass (gold plated)
Humidity (max)	≤95% [at 60°C /140°F]
Vibration	15g [10 Hz - 2000 Hz]
Shock resistance	100g [6 ms]
Salt spray corrosion	>72 hr
Climatical category	50/175/21
Shielding (min)	75 dB (10 MHz)
Shielding (min)	40 dB (1 GHz)
IP rating	IP68 (when connected and using environmental cable clamp)



KEY FEATURES

Key coded | Cable mounting socket | Cable clamps required

This product should be used with the following cable clamps:

PART NO.	WIRE RANGE
CCVIC/CC	2.6 - 3.1mm
CCVIC/CD	3.1-3.6mm
CCVIC/CE	3.6-4.1mm
CCVIC/CF	4.1-4.3mm



Non IP68 cable clamps also available

ACCESSORIES

Metal and rubber caps for sockets

PART NO.	DESCRIPTION
CCT11	Camcric metal cap for sockets A1



PART NO.	DESCRIPTION
CCT12	Camcric rubber cap for sockets A1



ASSOCIATED PRODUCTS

CCA1P1/A05

- CCA Series A1 size plug

page 104





002

PCB TERMINAL
BLOCKS

081

TERMINAL STRIPS

095

WIRE TO BOARD
CONNECTORS

100

CIRCULAR
CONNECTORS

151

IP68 CONNECTORS

158

INTERFACE
MODULES AND
RELAY BASES

Push-pull connectors female cable mount CCT series



CCT1S1/07 7 pole

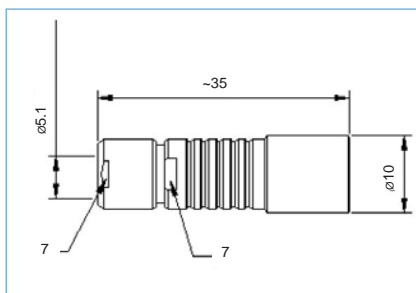
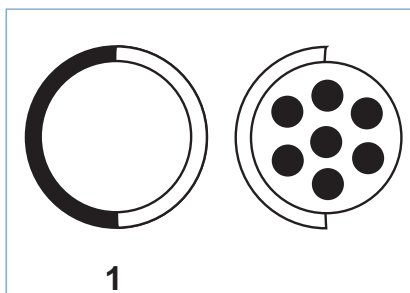
- Premium range of circular connectors
- IP68 sealed using vacuum technology (when connected and using environmental cable clamp)
- Tough, high performance interconnection solution
- Ideal for harsh and extreme environments
- Suitable for broadcasting, autosport, military, rail, security and industrial applications
- Key coded to prevent misconnection
- Will not disconnect when the cable is under load or stress
- Cable mounting
- Tested to IEC 60512-3-5a
- Cable clamp required for use with this series

CCT1S1/07



PART NO.	DESCRIPTION	POLES	SERIES
CCT1S1/07	Female cable mount	7	CCT series

SPECIFICATION	
Shell style/model	Free cable mount socket connector, female contact
Codes	Code 1
Contact type	Solder type
Contact diameter	0.5mm
Max. stranded conductor	AWG 26-28
Max diameter	0.43mm
Vtest (contact-shell)	800V(AC) 1300V(DC)
Vtest (contact-contact)	1000V(AC) 1800V(DC)
Rated current	2.0A
Rated voltage	≤160V
Mechanical operation	5000 mating cycles
Housing material	Brass (natural chrome plated) shell and collet nut, nickel plated brass latch sleeve and mid pieces
Insulator	PPS
Contacts	Brass (gold plated)
Humidity (max)	<=95% [at 60°C /140°F]
Vibration	15g [10 Hz - 2000 Hz]
Shock resistance	100g [6 ms]
Salt spray corrosion	>72 hr
Climatical category	50/175/21
Shielding (min)	75 dB (10 MHz)
Shielding (min)	40 dB (1 GHz)
IP rating	IP68 (when connected and using environmental cable clamp)



KEY FEATURES

Key coded | Cable mounting socket | Cable clamps required

This product should be used with the following cable clamps:

PART NO.	WIRE RANGE
CCVIC/CC	2.6 - 3.1mm
CCVIC/CD	3.1-3.6mm
CCVIC/CE	3.6-4.1mm
CCVIC/CF	4.1-4.3mm



Non IP68 cable clamps also available

ACCESSORIES

Metal and rubber caps for sockets

PART NO.	DESCRIPTION
CCT11	Camcric metal cap for sockets A1



PART NO.	DESCRIPTION
CCT12	Camcric rubber cap for sockets A1



ASSOCIATED PRODUCTS

CCA1P1/A07

- CCA Series A1 size plug

page 105



Push-pull connectors female cable mount CCT series



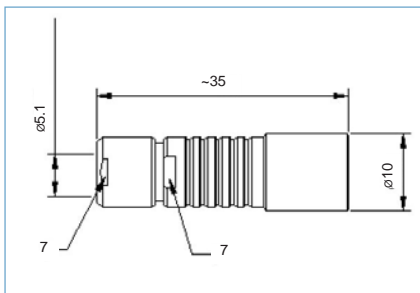
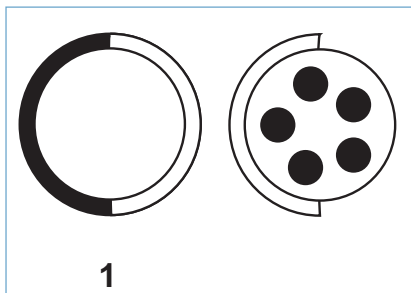
CCT2S1/05 5 pole

- Premium range of circular connectors
- IP68 sealed using vacuum technology (when connected and using environmental cable clamp)
- Tough, high performance interconnection solution
- Ideal for harsh and extreme environments
- Suitable for broadcasting, autosport, military, rail, security and industrial applications
- Key coded to prevent misconnection
- Will not disconnect when the cable is under load or stress
- Cable mounting
- Tested to IEC 60512-3-5a
- Cable clamp required for use with this series



PART NO.	DESCRIPTION	POLES	SERIES
CCT2S1/05	Female cable mount	5	CCT series

SPECIFICATION	
Shell style/model	Free cable mount socket connector, female contact
Codes	Code 1
Contact type	Solder type
Contact diameter	0.9mm
Max. stranded conductor	AWG 21-22
Max diameter	0.79mm
Vtest (contact-shell)	1100V(AC) 1900V(DC)
Vtest (contact-contact)	1400V(AC) 2200V(DC)
Rated current	6.8A
Rated voltage	≤250V
Mechanical operation	5000 mating cycles
Housing material	Brass (natural chrome plated) shell and collet nut, nickel plated brass latch sleeve and mid pieces
Insulator	PPS
Contacts	Brass (gold plated)
Humidity (max)	≤95% [at 60°C /140°F]
Vibration	15g [10 Hz - 2000 Hz]
Shock resistance	100g [6 ms]
Salt spray corrosion	>72 hr
Climatical category	50/175/21
Shielding (min)	75 dB (10 MHz)
Shielding (min)	40 dB (1 GHz)
IP rating	IP68 (when connected and using environmental cable clamp)



KEY FEATURES

Key coded | Cable mounting socket | Cable clamps required

This product should be used with the following cable clamps:

PART NO.	WIRE RANGE
CCV2C/CE	3.7 - 4.2mm
CCV2C/CG	4.2 - 4.7mm
CCV2C/CH	4.7 - 5.2mm
CCV2C/CI	5.2 - 5.7mm
CCV2C/CJ	5.7 - 6.2mm



Non IP68 cable clamps also available

ACCESSORIES

Metal and rubber caps for sockets

PART NO.	DESCRIPTION
CCT21	Camcric metal cap for sockets A2



PART NO.	DESCRIPTION
CCT22	Camcric rubber cap for sockets A2



ASSOCIATED PRODUCTS

CCA2P1/A05

- CCA Series A2 size plug

page 109



002
PCB TERMINAL
BLOCKS

081
TERMINAL STRIPS

095
WIRE TO BOARD
CONNECTORS

100
CIRCULAR
CONNECTORS

151
IP68 CONNECTORS

158
INTERFACE
MODULES AND
RELAY BASES



002

PCB TERMINAL
BLOCKS

081

TERMINAL STRIPS

095

WIRE TO BOARD
CONNECTORS

100

CIRCULAR
CONNECTORS

151

IP68 CONNECTORS

158

INTERFACE
MODULES AND
RELAY BASES

Push-pull connectors female cable mount CCT series



CCT2S1/07 7 pole

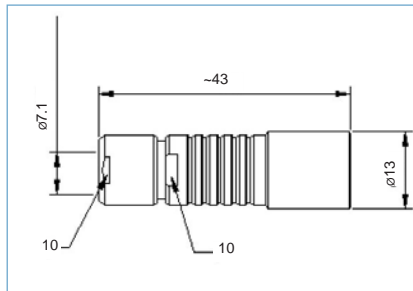
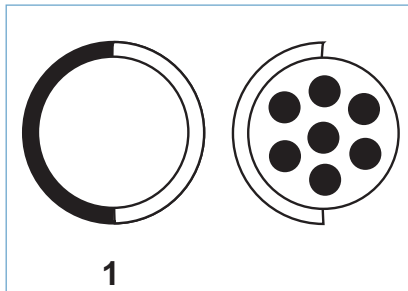
- Premium range of circular connectors
- IP68 sealed using vacuum technology (when connected and using environmental cable clamp)
- Tough, high performance interconnection solution
- Ideal for harsh and extreme environments
- Suitable for broadcasting, autosport, military, rail, security and industrial applications
- Key coded to prevent misconnection
- Will not disconnect when the cable is under load or stress
- Cable mounting
- Tested to IEC 60512-3-5a
- Cable clamp required for use with this series

CCT2S1/07



PART NO.	DESCRIPTION	POLES	SERIES
CCT2S1/07	Female cable mount	7	CCT series

SPECIFICATION	
Shell style/model	Free cable mount socket connector, female contact
Codes	Code 1
Contact type	Solder type
Contact diameter	0.7mm
Max. stranded conductor	AWG 21-22
Max diameter	0.79mm
Vtest (contact-shell)	1000V(AC) 2000V(DC)
Vtest (contact-contact)	1300V(AC) 2000V(DC)
Rated current	5.0A
Rated voltage	≤250V
Mechanical operation	5000 mating cycles
Housing material	Brass (natural chrome plated) shell and collet nut, nickel plated brass latch sleeve and mid pieces
Insulator	PPS
Contacts	Brass (gold plated)
Humidity (max)	<=95% [at 60°C /140°F]
Vibration	15g [10 Hz - 2000 Hz]
Shock resistance	100g [6 ms]
Salt spray corrosion	>72 hr
Climatical category	50/175/21
Shielding (min)	75 dB (10 MHz)
Shielding (min)	40 dB (1 GHz)
IP rating	IP68 (when connected and using environmental cable clamp)



KEY FEATURES

Key coded | Cable mounting socket | Cable clamps required

This product should be used with the following cable clamps:

PART NO.	WIRE RANGE
CCV2C/CE	3.7 - 4.2mm
CCV2C/CG	4.2 - 4.7mm
CCV2C/CH	4.7 - 5.2mm
CCV2C/CI	5.2 - 5.7mm
CCV2C/CJ	5.7 - 6.2mm



Non IP68 cable clamps also available

ACCESSORIES

Metal and rubber caps for sockets

PART NO.	DESCRIPTION
CCT21	Camcric metal cap for sockets A2



PART NO.	DESCRIPTION
CCT22	Camcric rubber cap for sockets A2



ASSOCIATED PRODUCTS

CCA2P1/A07

- CCA Series A2 size plug

page 111

IP68 CONNECTORS

IP68 waterproof assembly connectors and splitters are ideal for outdoor applications and harsh environments.

		
<p>IP68 cabling joining connectors 152</p>	<p>IP68 3x power 6x data connector 153</p>	<p>IP68 panel mount connector 153</p>
		
<p>IP68 electrical distribution splitter 154</p>	<p>IP68 offshore connectors 156</p>	<p>IP68 pluggable connectors 157</p>

002
PCB TERMINAL BLOCKS

081
TERMINAL STRIPS

095
WIRE TO BOARD CONNECTORS

100
CIRCULAR CONNECTORS

151
IP68 CONNECTORS

158
INTERFACE MODULES AND RELAY BASES

IP68 cable joining connectors

Product overview

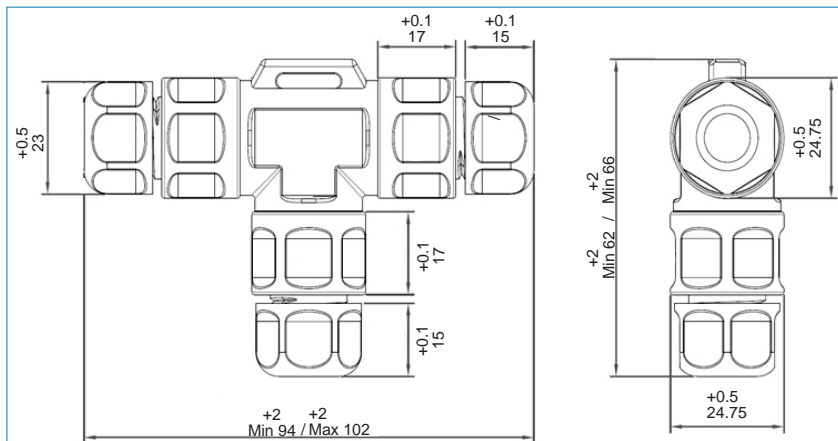
- Integrated terminal designs means no small parts to drop
- One piece construction removes possibility of mis-assembly
- Heavy duty, robust and strong
- Compact, therefore more options to accommodate during installation
- Colour coded screws/terminals make installation easier
- Brail points to allow installation in low light conditions
- EN-61984
- CE approved



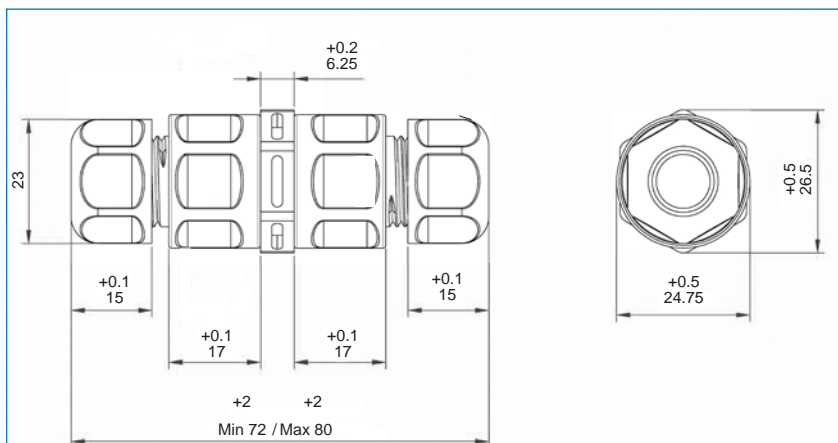
SPECIFICATION

Voltage rating	250V
Current rating	16A
Min wire size OD	5.5mm
Max wire size OD	8.5mm
Contact resistance	10mΩ
Insulation structure	500 mΩ at 500VDC
Temperature rating	-40°C - +105°C
IP rating	IP68
Mould material	PA6
Contact/terminal material	Nickel-plate brass
Seal material	Silicone

PART NO.	DESCRIPTION
CPWP3T	Waterproof field assembly "T" connector



PART NO.	DESCRIPTION
CPWP3I	Waterproof field assembly connector



KEY FEATURES

Integrated terminals | One piece construction | Colour coded screws/terminals

IP68 3x power 6x data connector

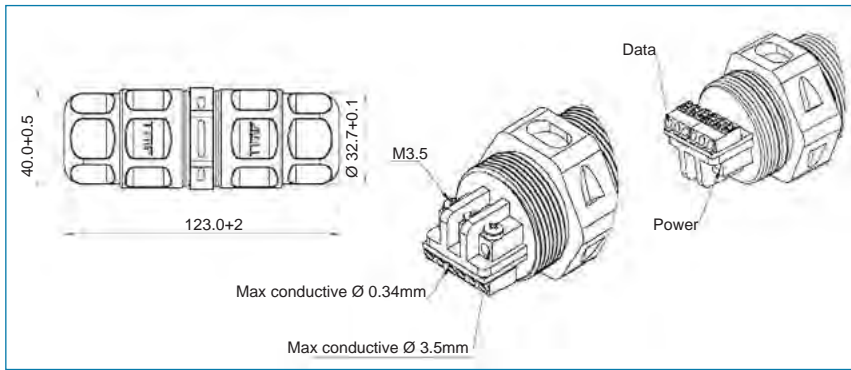
Product overview

- IP68 in-line 3 power 6 data connector
- Provides a waterproof data connection not previously available
- Enables power supply and data in one connection
- One piece construction: No risk of small parts being dropped during installation
- Heavy duty, robust and strong
- Excellent solution in situations where secure data or network connections is required outdoors in testing, monitoring or gathering data



PART NO.	DESCRIPTION
CPWP3P6DI	In-line 3 power 6 data connector

SPECIFICATION	
Voltage rating	250VAC max/data: 50VDC/VAC
Current rating	25A max/data: 1A max
Min wire size OD	10mm
Max wire size OD	14mm
Contact resistance	1 mΩ max
Insulation structure	1000 mΩ at 1000VDC
Temperature rating	-40°C - +85°C
IP rating	IP68
Mould material	PA6
Contact/terminal material	Nickel plated brass
Seal material	Silicone
Number of poles	3 power + 6 data
Durability voltage	1500VAC @ 60s



IP68 panel mount connector

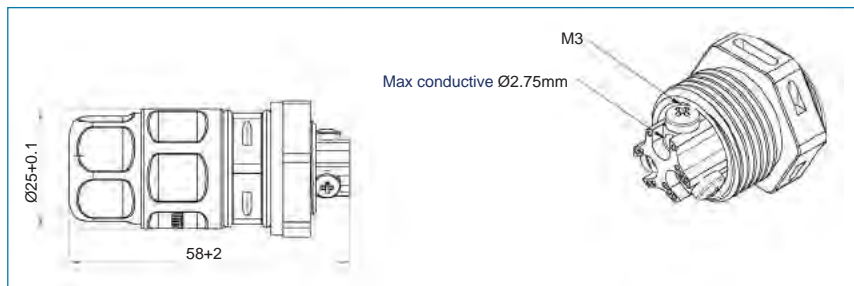
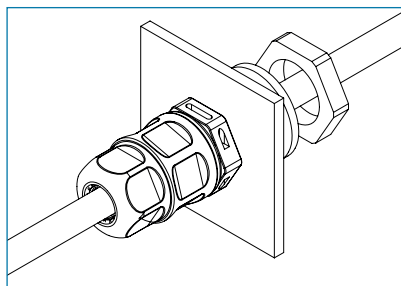
Product overview

- Panel mount connection
- Integrated terminal design means no small parts to drop
- One piece construction
- Heavy duty, robust and strong
- Compact, therefore more options to accommodate during installation
- Colour coded screws/terminals make installation easier
- Brail points to allow installation in low light conditions
- One piece construction removes possibility of mis-assembly
- Made to EN-61984
- CE approved



PART NO.	DESCRIPTION
CPWP3PM	Panel mounting connector

SPECIFICATION	
Voltage rating	250V
Current rating	16A
Min wire size OD	6mm
Max wire size OD	10mm
Contact resistance	10mΩ
Insulation structure	500 mΩ at 500VDC
Temperature rating	-40°C - +105°C
IP rating	IP68
Mould material	PA66
Contact/terminal material	Nickel-plated brass
Seal material	EPDM 70Sh A
Number of poles	3
Durability voltage	1500VAC @ 60s



IP68 electrical distribution splitter

Product overview

- Cable distribution splitter
- Internal junction box
- 3, 5 or 9 way splitter
- One piece construction removes possibility of mis-assembly
- Compact, therefore more options to accommodate during installation
- Integrated terminals design means no small parts to drop
- Colour coded screws/terminals make installation easier
- Brail points to allow installation in low light conditions
- EN61984
- CE approved



SPECIFICATION	1X3 AND 1 X 5 SPLITTER
Min wire size OD	5mm
Max wire size OD	8mm
Contact resistance	10mΩ
Insulation structure	500 MΩ at 500VDC
Temperature rating	-40°C - +105°C
IP rating	IP68
Mould material	PA6
Contact/terminal material	Nickel-plated brass
Seal material	EPDM 70Sh A
Durability voltage	1000VAC @ 60 s

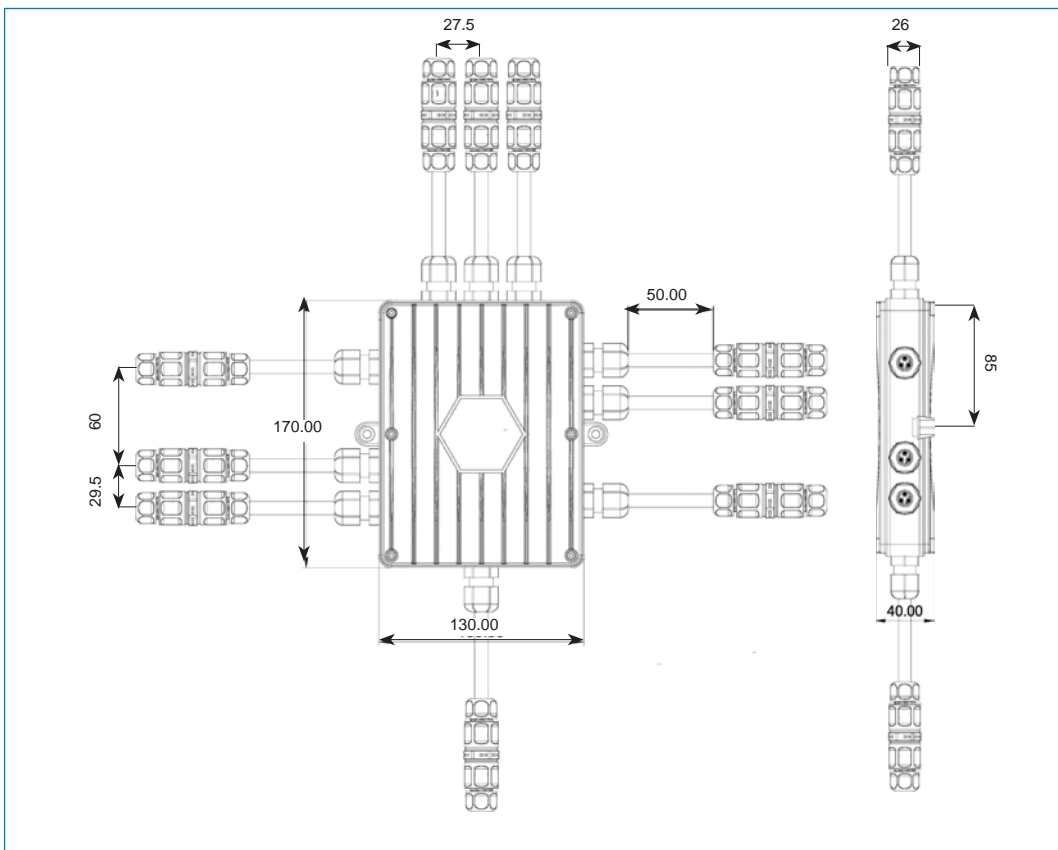
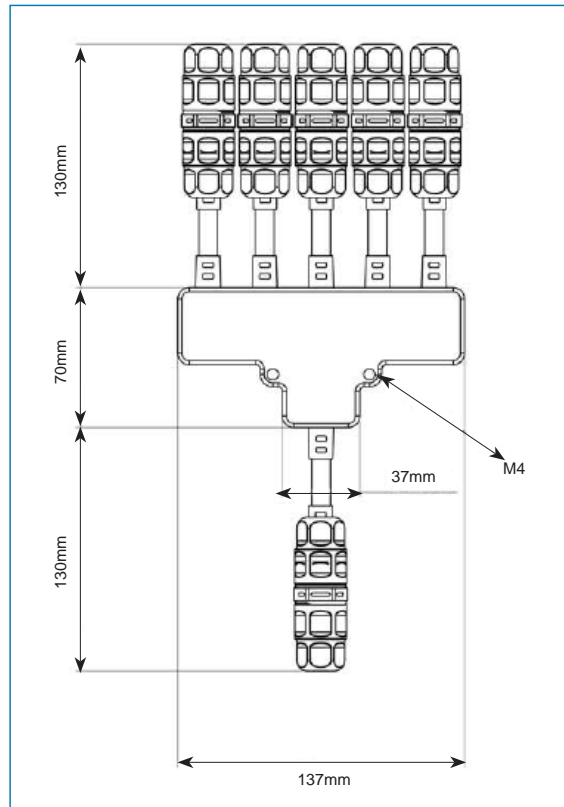
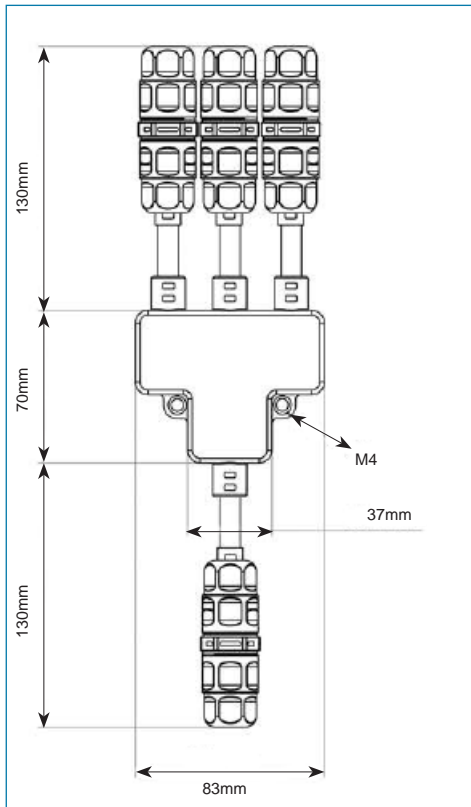
SPECIFICATION	1X9 SPLITTER
Wire size	1mm ²
Contact resistance	30mΩ
Insulation structure	500 MΩ at 500VDC
Temperature rating	-40°C - +85°C
IP rating	IP68
Mould material	PP
Contact/terminal material	Nickel-plated brass
Seal material	Silicone

PART NO.	DESCRIPTION	VOLTAGE RATING	CURRENT RATING
CPWPESIX3	1x3 splitter	400V	20A
CPWPESIX5	1x5 splitter	400V	17A
CPWPEDRSix9	1x9 splitter	250V	10A

KEY FEATURES

Intergrated terminals | One piece construction | Compact





IP68 offshore connectors

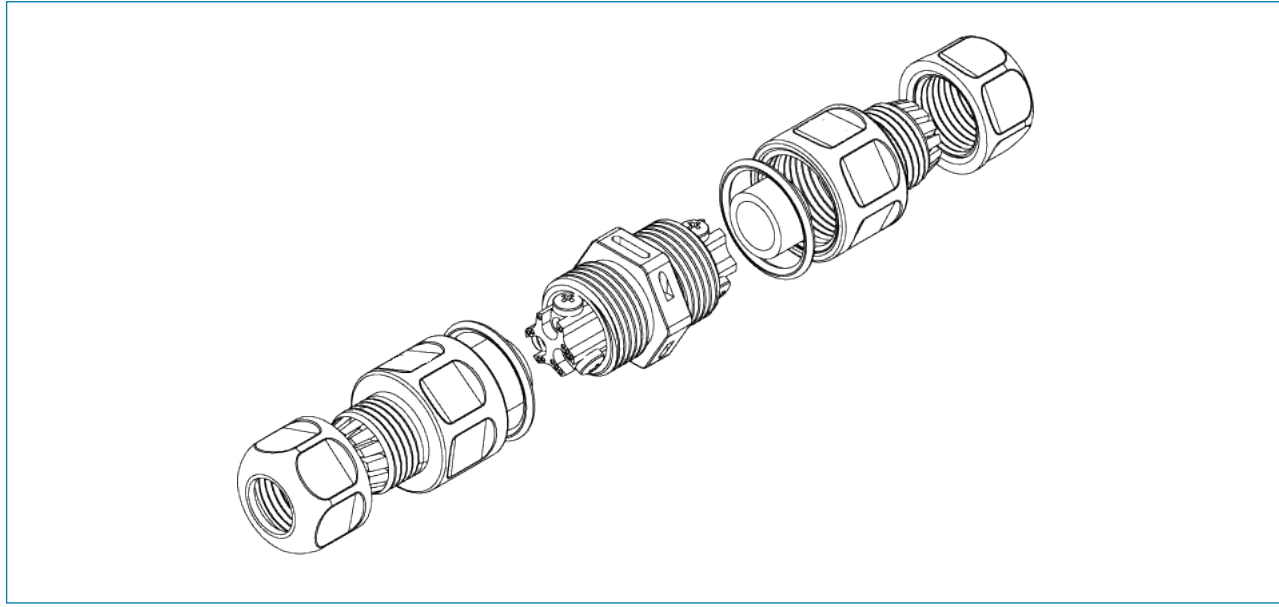
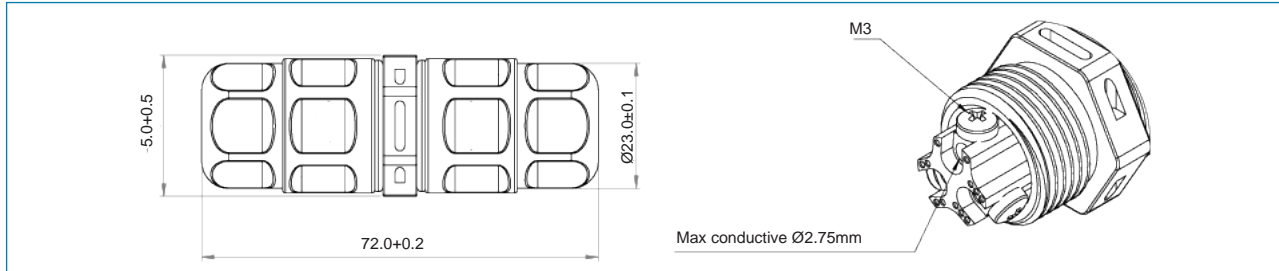
Product overview

- Higher grade IP68 protection
- Intergrated screw terminal design
- Rated to submersion at 50 Meters for 60 minutes
- Heavy duty and robust
- Compact for ease of installation
- Colour coded screws for ease of installation
- Brail points to aid installers in low light conditions
- Meets EN61984
- CE approved



SPECIFICATION	
Voltage rating	250V
Current rating	16A
Min wire size OD	5.5mm
Max wire size OD	8.5mm
Contact resistance	10mΩ
Insulation structure	500Ω @ 60s
Temp rating	-40°C to +85°C
IP rating	IP68 (60min@50m)
Mould material	PA6
Contact/terminal material	Nikel plated brass
Seal material	Thermoplastis elastomer

PART NO.	DESCRIPTION	POLES
CPWP3IE	IP68 offshore waterproof inline 3 pole connector	3



KEY FEATURES

Intergrated terminals | One piece construction | Withstands submersion up to 50 meters

IP68 pluggable connectors

Product overview

- Integrated screw terminal design
- Fast connection and disconnection offering excellent versatility
- Polarised to prevent incorrect connection
- Heavy duty and robust
- Compact to provide ease of installation
- Meets EN61984
- CE approved

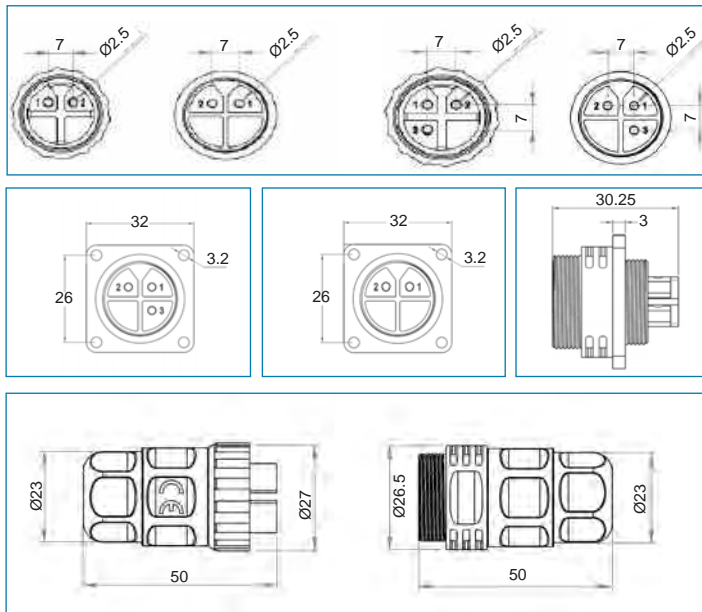
SPECIFICATION	
Voltage rating	300V
Current rating	16A
Min wire size OD	5.5mm
Max wire size OD	8.5mm
Contact resistance	10mΩ
Insulation structure	500Ω @ 60s
Temp rating	-40°C - +85°C
IP rating	IP68 (60min @ 50m)
Mould material	PA6
Contact/terminal material	Nikel plated brass
Seal material	Silicone

Male connectors



PART NO.	DESCRIPTION	POLES
CPWP2M	IP68 pluggable waterproof inline male 2 pole connector	2
CPWP2F	IP68 pluggable waterproof inline female 2 pole connector	2
CPWP3M	IP68 pluggable waterproof inline male 3 pole connector	3
CPWP3F	IP68 pluggable waterproof inline female 3 pole connector	3
CPWP2P	IP68 pluggable waterproof panel mount male 2 pole connector	2
CPWP3P	IP68 pluggable waterproof panel mount male 3 pole connector	3

Female connectors













KEY FEATURES

Integrated terminals | One piece construction | Compact

002
PCB TERMINAL
BLOCKS081
TERMINAL STRIPS095
WIRE TO BOARD
CONNECTORS100
CIRCULAR
CONNECTORS151
IP68 CONNECTORS158
INTERFACE
MODULES AND
RELAY BASES

INTERFACE MODULES & RELAY BASES - INTERFACE MODULES

DIN Rail mounted interface modules provide maintenance-free connections for flexible wiring applications and feature a variety of connectors and components.

		
1 pole relay modules 160	2, 4, 8 pole relay modules 160	IDC interface modules 161
		
Subminiature 'D' connector modules 161	Diode module and component modules 162	Fuse modules 162
		
USB A interface module 163	USB B interface module 163	RJ45 interface module 164
		
RJ45 multiway interface modules 164	RJ45 coupler 164	Multiple IDC interface modules 165



002
PCB TERMINAL
BLOCKS

081
TERMINAL STRIPS

095
WIRE TO BOARD
CONNECTORS

100
CIRCULAR
CONNECTORS

151
IP68 CONNECTORS

158
INTERFACE
MODULES AND
RELAY BASES



Male and female
D-connector
interface modules **165**



Opto-Isolator
Interface **166**



DIN Rail
mounting BNC
coupler **167**



Mini series 72mm
empty modular
interface
supports **168**



Mini series 72mm
empty extruded
interface
supports **169**



Euro series
107mm empty
modular interface
support **170**



Euro series
107mm empty
extruded
interface support **171**





002

PCB TERMINAL
BLOCKS

081

TERMINAL STRIPS

095

WIRE TO BOARD
CONNECTORS

100

CIRCULAR
CONNECTORS

151

IP68 CONNECTORS

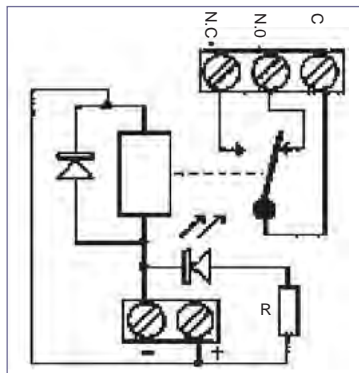
158

INTERFACE
MODULES AND
RELAY BASES

1 pole relay modules

Product overview

- Fits all standard DIN Rail
- Option on connections: screw terminal blocks or pluggable terminals
- Available with plug-in relay for easy replacement or the economy style with relay mounted directly onto the PCB



CIM/R1



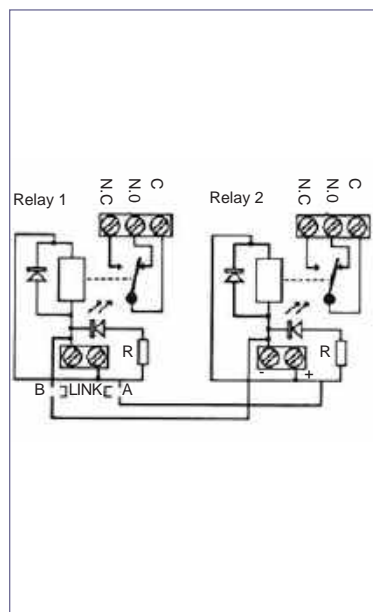
SPECIFICATION	
Input operating voltage	24V DC
Operating power	0.5W
Contact configuration	1 changeover
Max switching voltage	250VAC
Max output current	5A
Max switching power	1250VA
Contact material	Ag
Conductor size	4mm ²
LED colour	Green
Electrical life	100x10 ³ (at rated load)
Mechanical life	20x10 ⁶
Width	82mm
Length	22.5mm
Projection	65mm with base 52mm without base

PART NO.	BASE OPTION	TERMINALS
CIM/R1 -WB-S-24	With base	Screw terminals
CIM/R1 -WO-S-24	Without base	Screw terminals
CIM/R1 -WB-C-24	With base	Pluggable terminals (vertical mating)
CIM/R1 -WO-C-24	Without base	Pluggable terminals (vertical mating)

2, 4, 8 pole relay modules

Product overview

- 3 wiring options: The modules can operate as individual relays or by utilising shorting links, provide a common negative or positive, or a combination of all these
- By shorting across:
 - A = Common positive
 - B = Common negative



CIM/R2-R8



SPECIFICATION	
Input operating voltage	24V DC
Operating power	0.5W
Contact configuration	1 changeover
Max switching voltage	250VAC
Max output current	5A
Max switching power	1250VA
Contact material	Ag
Conductor size	4mm ² max
LED colour	Green
Electrical life	100x10 ³ (at rated load)
Mechanical life	20x10 ⁶
Width	82mm
Length	2 channels 45mm 4 channels 90mm 8 channels 169mm

PART NO.	POLES	BASE OPTION	TERMINALS
CIM/R2 -WB-S-24	2	With base	Screw terminals
CIM/R2 -WO-S-24	2	Without base	Screw terminals
CIM/R2 -WB-C-24	2	with base	Pluggable terminals (vertical mating)
CIM/R2 -WO-C-24	2	Without base	Pluggable terminals (vertical mating)
CIM/R4 -WB-S-24	4	With base	Screw terminals
CIM/R4 -WO-S-24	4	Without base	Screw terminals
CIM/R4 -WB-C-24	4	With base	Pluggable terminals (vertical mating)
CIM/R4 -WO-C-24	4	without base	Pluggable terminals (vertical mating)
CIM/R8 -WB-S-24	8	With base	Screw terminals
CIM/R8 -WO-S-24	8	Without base	Screw terminals
CIM/R8 -WB-C-24	8	With base	Pluggable terminals (vertical mating)
CIM/R8 -WO-C-24	8	without base	Pluggable terminals (vertical mating)



002
PCB TERMINAL
BLOCKS

081
TERMINAL STRIPS

095
WIRE TO BOARD
CONNECTORS

100
CIRCULAR
CONNECTORS

151
IP68 CONNECTORS

158
INTERFACE
MODULES AND
RELAY BASES

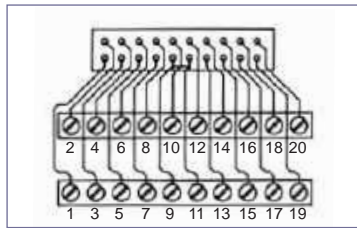
IDC interface modules

Product overview

- Low profile
- Cable acceptance of up to 4mm²
- 45° cable entry for easy access
- Ensures simple and speedy interfacing between data and field cables
- Custom interfaces available to order
- Optional wall mounting plates are available (CIME/M/MPR)



SPECIFICATION	
Voltage	50V DC max
Current	1A max
Connections	Screw terminal 45° Rising clamp 4mm ² wire acceptance
Width	82mm all types
Length	10 pole 55mm 20 pole 55mm 26 pole 80mm 34 pole 90mm 40 pole 113mm 50 pole 134mm



PART NO.	POLES
CIM/10W-IDCS	10
CIM/20W-IDCS	20
CIM/26W-IDCS	26
CIM/34W-IDCS	34
CIM/40W-IDCS	40
CIM/50W-IDCS	50

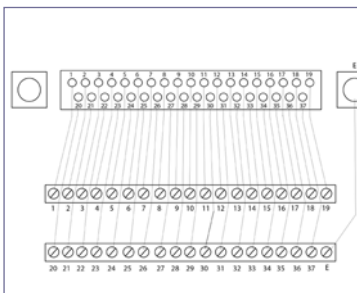
Subminiature 'D' connector modules

Product overview

- Low profile
- Cable acceptance of up to 4mm²
- 45° cable entry for easy access
- Ensures simple and speedy interfacing between data and field cables
- Sub-miniature D male or female
- Custom interfaces available to order



SPECIFICATION	
Voltage	50V DC max
Current	1A max
Connections	Screw terminal 45° Rising clamp 4mm ² wire acceptance
Width	82mm all types
Length	9 way 34mm 15 way 57mm 25 way 80mm 37 way 113mm
Earth	The metal surround of the D is used and taken to connector terminal



PART NO.	POLES	BASE OPTION
CIM/9W-DMS	9	Male 'D'
CIM/15W-DMS	15	Male 'D'
CIM/25W-DMS	25	Male 'D'
CIM/37W-DMS	37	Male 'D'
CIM/9W-DFS	9	Female 'D'
CIM/15W-DFS	15	Female 'D'
CIM/25W-DFS	25	Female 'D'
CIM/37W-DFS	37	Female 'D'

ASSOCIATED PRODUCTS

CIME/M/MPR

- Wall mount plates

page 168



002
PCB TERMINAL
BLOCKS081
TERMINAL STRIPS095
WIRE TO BOARD
CONNECTORS100
CIRCULAR
CONNECTORS151
IP68 CONNECTORS158
INTERFACE
MODULES AND
RELAY BASES

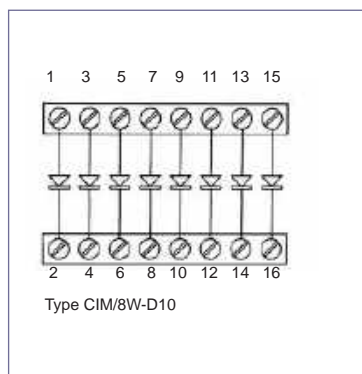
Diode module and component modules

Product overview

- Protects against return voltage to circuits
- Low profile
- 45° cable entry for easy access
- Available also as a component carrier
- Custom interfaces available to order



SPECIFICATION	
Voltage	250V DC max
Current	1A max
Characteristics of IN4007	1000V Peak 250V 1Amp
Width	82mm
Length	45mm



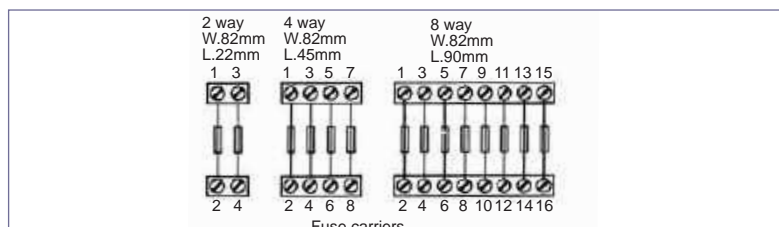
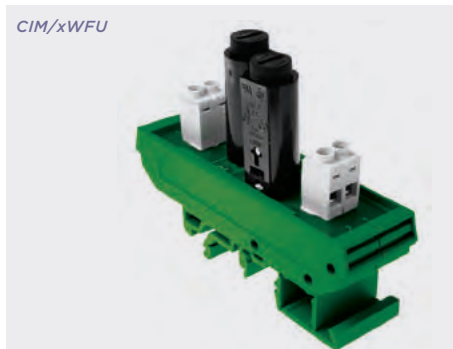
PART NO.	DESCRIPTION
CIM/8W-D10	Diode module
CIM/8W-COMP	Without diodes component carrier

Fuse modules

Product overview

- Available with either screw terminal blocks or pluggable terminals
- Available with LED indication
- Custom interfaces available to order
- approved fuseholders

SPECIFICATION	
Voltage	250V AC max
Fuse	Current max per fuse 3A, max total 6.3A
Fuse size	20x5mm full range available
Fuseholders	Screwdriver release, bayonet cap
Terminations	Rising clamp 4mm ² wire acceptance
Width	82mm all types
Length	2 way 22mm 4 way 45mm 8 way 45mm



PART NO.	FUSES	TERMINAL
CIM/2WFO-S	2	Screw terminals
CIM/2WFO-C	2	Pluggable terminals (vertical mating)
CIM/4WFO-S	4	Screw terminals
CIM/4WFO-C	4	Pluggable terminals (vertical mating)
CIM/8WFO-S	8	Screw terminals
CIM/8WFO-C	8	Pluggable terminals (vertical mating)

ASSOCIATED PRODUCTS

CIME/M/MPR

- Wall mount plates

page 168

002
PCB TERMINAL
BLOCKS081
TERMINAL STRIPS095
WIRE TO BOARD
CONNECTORS100
CIRCULAR
CONNECTORS151
IP68 CONNECTORS158
INTERFACE
MODULES AND
RELAY BASES

USB A interface module

Product overview

- Single USB A type socket to screw terminals
- Terminals marked +5V, D-, D+ and GND
- Separate shield connection
- 35mm DIN Rail mounting
- Option for 32mm (G) rail mounting
- 45° terminals for easy access
- RoHS compliant
- SVHC free (2012)
- Optional wall mounting plates are available (CIME/M/MPR)

USB A



SPECIFICATION

Rating	30V DC 100mA
Cable entry	0.2-4mm ² (30-12 AWG)
Terminal screw	M3
Strip length	6mm (0.24")
Max terminal torque	0.5Nm (4lb-in)

PART NO	DESCRIPTION	HEIGHT	WIDTH	LENGTH
CIM/USBA	USB A to screw terminal interface. 35 mm Din Rail mounting	44mm (1.73")	83mm (3.27")	26mm (1.02")

USB B interface module

Product overview

- Single USB B type socket to screw terminals
- Terminals marked +5V, D-, D+ and GND
- Separate shield connection
- 35mm DIN Rail mounting
- Option for 32mm (G) rail mounting
- 45° terminals for easy access
- RoHS compliant
- SVHC free (2012)
- Optional wall mounting plates are available (CIME/M/MPR)

USB B



SPECIFICATION

Rating	30V DC 100mA
Cable entry	0.2-4mm ² (30-12 AWG)
Terminal screw	M3
Strip length	6mm (0.24")
Max terminal torque	0.5Nm (4lb-in)

PART NO.	DESCRIPTION	HEIGHT	WIDTH	LENGTH
CIM/USBB	USB B to screw terminal interface. 35 mm Din Rail mounting	41mm (1.61")	83mm (3.27")	26mm (1.02")

ASSOCIATED PRODUCTS

CIME/M/MPR

- Wall mount plates

page 168

002
PCB TERMINAL
BLOCKS081
TERMINAL STRIPS095
WIRE TO BOARD
CONNECTORS100
CIRCULAR
CONNECTORS151
IP68 CONNECTORS158
INTERFACE
MODULES AND
RELAY BASES

RJ45 interface module

Product overview

- Single RJ45 (8P8C) type socket to screw terminals
- Terminals marked 1 to 8 (+ shield)
- Separate shield connection
- 35mm DIN Rail mounting
- Option for 32mm (G) rail mounting
- 45° terminals for easy access
- RoHS compliant
- SVHC free (2012)
- Optional wall mounting plates are available (CIME/M/MPR)
- Connect Profinet cable: Yellow (TD+) Pin 1, Orange (TD-) Pin 2, White (RD+) Pin 3, Blue (RD-) Pin 6. Shield to Shield
- **CE** approved



PART NO.	DESCRIPTION
CIM/RJ45	RJ45 to screw terminal interface. 35 mm DIN Rail mounting

SPECIFICATION	
Rating	30V DC 100mA
Cable entry	0.2-4m ² (30-12 AWG)
Terminal screw	M3
Strip length	6mm (0.24")
Max terminal torque	0.5Nm (4lb-in)
Dimensions:	
Height	45mm (1.77")
Width	83mm (3.27")
Length	34mm (1.02")

RJ45 multiway interface modules

Product overview

- Multiway RJ45 (8P8C) type socket to screw terminals
- Separate shield connection
- 35mm DIN Rail mounting
- Option for 32mm (G) rail mounting
- 45° terminals for easy access
- RoHS compliant
- SVHC free (2012)
- Optional wall mounting plates are available (CIME/M/MPR)
- **CE** approved



PART NO.	DESCRIPTION	LENGTH
CIM/RJ45-4	RJ45 to screw 4 way	127mm
CIM/RJ45-6	RJ45 to screw 6 way	191mm
CIM/RJ45-8	RJ45 to screw 8 way	255mm

SPECIFICATION	
Rating	30V DC 100mA
Cable entry	0.2-4m ² (30-12 AWG)
Terminal screw	M3
Strip length	6mm (0.24")
Max terminal torque	0.5Nm (4lb-in)
Dimensions:	
Length	45mm (1.77")
Width	83mm (3.27")
Height	34mm (1.02")

RJ45 coupler

Product overview

- Two RJ45 (8P8C) type shielded sockets
- Connected pin to pin (1 to 1, 2 to 2 etc)
- 35mm DIN Rail mounting
- Option for 32mm (G) rail mounting
- Reverse tab sockets for ease of cable release
- RoHS compliant
- SVHC free (2013)
- Optional wall mounting plates are available (CIME/M/MPR)
- **CE** approved



PART NO.	DESCRIPTION
CIM/2RJ45C	RJ45 to RJ45 coupler. 35 mm Din Rail mounting

SPECIFICATION	
Rating	50V DC 500mA
Dimensions:	
Height	42mm (1.66")
Width	83mm (3.27")
Length	23mm (0.91")

ASSOCIATED PRODUCTS

CIME/M/MPR

- Wall mount plates

page 168

002
PCB TERMINAL
BLOCKS081
TERMINAL STRIPS095
WIRE TO BOARD
CONNECTORS100
CIRCULAR
CONNECTORS151
IP68 CONNECTORS158
INTERFACE
MODULES AND
RELAY BASES

Multiple IDC interface modules

Product overview

- Three IDC dual row headers to screw terminals
- Long ejector latches for strain relief sockets
- 35mm DIN Rail mounting
- Option for 32mm (G) rail mounting
- 45° terminals for easy access
- RoHS compliant
- SVHC free (2012)
- Optional wall mounting plates are available (CIME/M/MPR)

IDCS



SPECIFICATION			
Rating	50V DC 100mA		
Cable entry	0.2-4mm ² (30-12 AWG)		
Terminal screw	M3		
Strip length	6mm (0.24")		
Max terminal torque	0.5Nm (4lb-in)		
Dimensions:	Height	Width	Length
CIM/101416W-IDCS	56mm (2.20")	83mm (3.27")	46mm (1.81")
CIM/202426W-IDCS	56mm (2.20")	83mm (3.27")	80mm (3.15")
CIM/303440W-IDCS	56mm (2.20")	83mm (3.27")	114mm (4.49")
CIM/506064W-IDCS	56mm (2.20")	83mm (3.27")	170mm (6.69")

PART NO.	DESCRIPTION
CIM/101416W-IDCS	10, 14 and 16 way IDC to screw terminal interface. 35 mm Din Rail mount
CIM/202426W-IDCS	20, 24 and 26 way IDC to screw terminal interface. 35 mm Din Rail mount
CIM/303440W-IDCS	30, 34 and 40 way IDC to screw terminal interface. 35 mm Din Rail mount
CIM/506064W-IDCS	50, 60 and 64 way IDC to screw terminal interface. 35 mm Din Rail mount

Male and female D-connector interface modules

Product overview

- D Sub male and female to screw terminals
- Terminals marked 1 2 3 etc (+ shield)
- Separate shield connection
- 35mm DIN Rail mounting
- Option for 32mm (G) rail mounting
- 45° terminals for easy access
- RoHS compliant
- SVHC free (2012)
- Optional wall mounting plates are available (CIME/M/MPR)

DMFS



SPECIFICATION			
Rating	50V DC 100mA		
Cable entry	0.2-4mm ² (30-12 AWG)		
Terminal screw	M3		
Strip length	6mm (0.24")		
Max terminal torque	0.5Nm (4lb-in)		
Dimensions:	Height	Width	Length
CIM/9W-DMFS	39mm (1.54")	83mm (3.27")	35mm (1.38")
CIM/15W-DMFS	39mm (1.54")	83mm (3.27")	58mm (2.28")
CIM/25W-DMFS	39mm (1.54")	83mm (3.27")	78mm (3.07")
CIM/37W-DMFS	39mm (1.54")	83mm (3.27")	114mm (4.49")
CIM/50W-DMFS	39mm (1.54")	83mm (3.27")	136mm (5.36")

PART NO.	DESCRIPTION
CIM/9W-DMFS	9 way male and female D Sub screw terminal interface. 35 mm Din Rail mounting
CIM/15W-DMFS	15 way male and female D Sub screw terminal interface. 35 mm Din Rail mounting
CIM/25W-DMFS	25 way male and female D Sub screw terminal interface. 35 mm Din Rail mounting
CIM/37W-DMFS	37 way male and female D Sub screw terminal interface. 35 mm Din Rail mounting
CIM/50W-DMFS	50 way male and female D Sub screw terminal interface. 35 mm Din Rail mounting

ASSOCIATED PRODUCTS

CIME/M/MPR

- Wall mount plates

page 168

002
PCB TERMINAL
BLOCKS081
TERMINAL STRIPS095
WIRE TO BOARD
CONNECTORS100
CIRCULAR
CONNECTORS151
IP68 CONNECTORS158
INTERFACE
MODULES AND
RELAY BASES

Opto-isolator interface

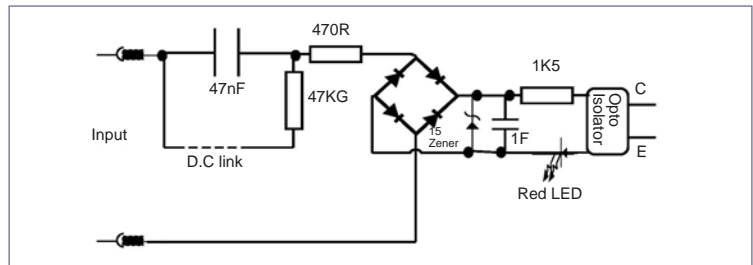
Product overview

- Four independent isolated channels
- Plug-in vertical terminal blocks
- On board LED for input check
- DC polarity insensitive
- Floating 300VDC/150mA Darlingtons
- For isolation & noise- reduction and voltage shift panel LED indicator applications
- AC or DC input selector by jumper
- Optional wall mounting plates are available (CIME/M/MPR)



SPECIFICATION		
Input	DC AC	24-400V 24-265V
Output	DC	300VDC/150mA max power 150mW
Input-output isolation		2kVAC
Cable entry		2.5m ²

PART NO.	DESCRIPTION
CIM/Opto4	4 channel opto isolator



ASSOCIATED PRODUCTS

CIME/M/MPR

- Wall mount plates

page 168

002
PCB TERMINAL
BLOCKS081
TERMINAL STRIPS095
WIRE TO BOARD
CONNECTORS100
CIRCULAR
CONNECTORS151
IP68 CONNECTORS158
INTERFACE
MODULES AND
RELAY BASES

DIN Rail mounting BNC coupler

Product overview

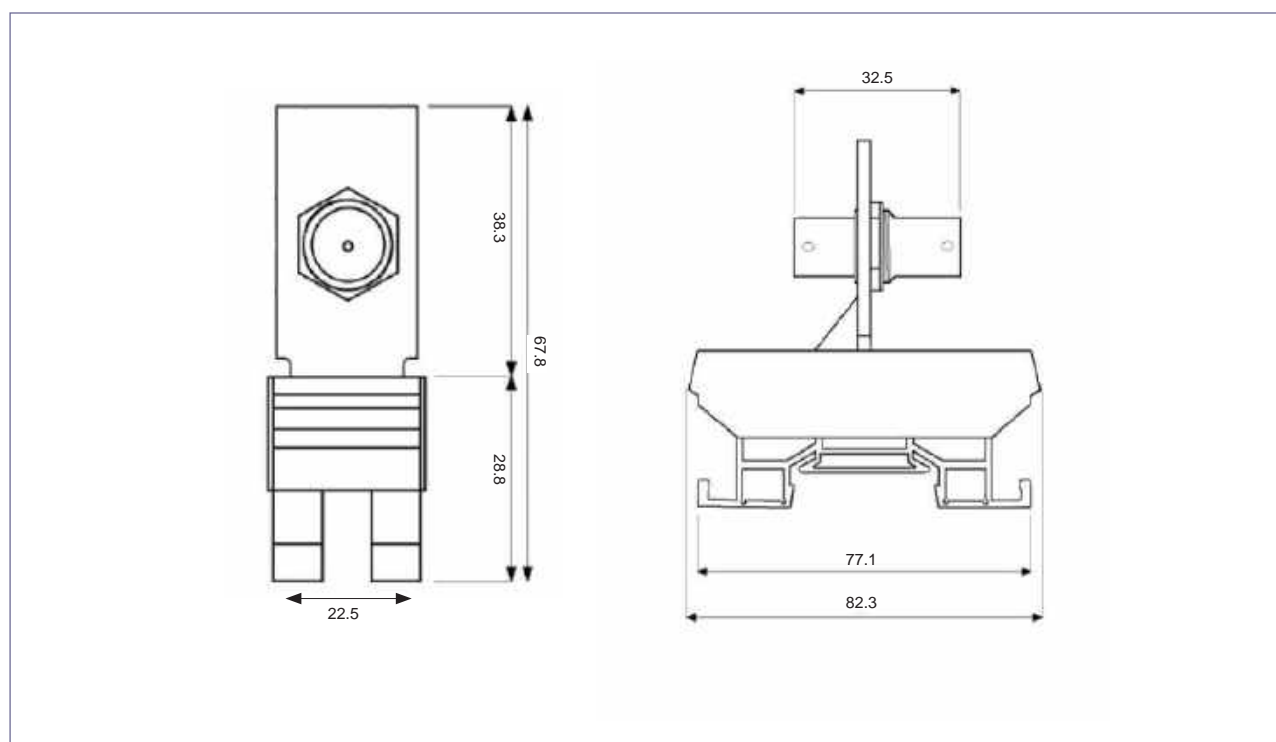
- BNC jack to jack interface
- Available in 50Ω or 75Ω
- 35mm DIN Rail mounting
- Gold plated brass contact
- 50Ω used in controls & instrumentation
- 75Ω used in audio visual and broadcasting
- Optional wall mounting plates available
- RoHS compliant

CIME/BNC



PART NO.	DESCRIPTION
Voltage rating	500V
Frequency range 50Ω	DC to 4GHz
Frequency range 75Ω	DC to 1GHz
Jack material	Nickel plated brass
Contact material	Gold plated brass
VSWR	1.3 max

PART NO.	NO. OF FEET
CIM/BNC-50-1	BNC jack to BNC jack coupler, 50Ω impedance
CIM/BNC-75-1	BNC jack to BNC jack coupler, 75Ω impedance



ASSOCIATED PRODUCTS

CIME/M/MPR

- Wall mount plates

page 168

002
PCB TERMINAL
BLOCKS081
TERMINAL STRIPS095
WIRE TO BOARD
CONNECTORS100
CIRCULAR
CONNECTORS151
IP68 CONNECTORS158
INTERFACE
MODULES AND
RELAY BASES

Mini series 72mm empty modular interface supports

Product overview

- Suitable for 72mm width PCB's
- Modular construction for easy Assembly
- Snap fit DIN Rail mounting fixtures
- Moulded in green UL94-V0 flame retardant PA
- Wall mounting kit option
- Terminal blocks available in same colour
- Integral marker facility
- Registered design No: 2106418*
- Also available in different colours
- End section foot for top hat DIN Rail

Wall mount plates

- Flush and raised surface mounting plates
- Press into sides of end section without tool
- Use foot element on long lengths with raised plates

PART NO.	DESCRIPTION
CIME/M/MPF	Flush
CIME/M/MPR	Raised



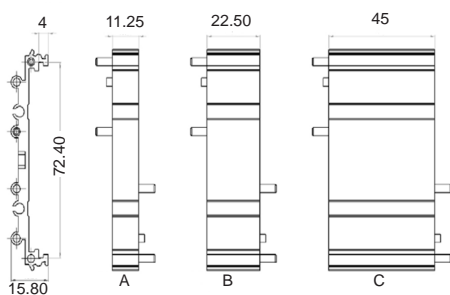
CIME/M



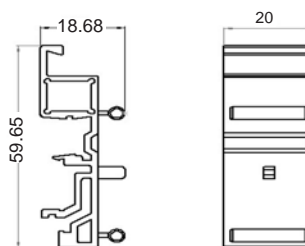
PART NO.	DESCRIPTION	WIDTH
CIME/M/BE1125S	Base element	11.25mm
CIME/M/BE2250S	Base element	22.5mm
CIME/M/BE4500S	Base element	45.0mm
CIME/M/SE1125SS	End section	11.25mm
CIME/M/SE2250SS	End section	22.5mm
CIME/M/SEF1125S	End section with foot	11.25mm
CIME/M/SEF2250S	End section with foot	22.5mm
CIME/M/FE0000S	Foot element	

CIME/M/ TOTAL PCB LENGTH	END SECTION SEF1125SS 10MM	SEF2250SS 21.25MM	BASE ELEMENTS BE1125SS 11.25MM	BE2250SS 22.5MM	BE4500SS 25MM	PART COUNT
20mm	2					2
31.25mm	1	1				2
42.5mm		2				2
53.75mm		2	1			3
65mm		2		1		3
76.25mm	1	1			1	3
87.5mm		2			1	3
98.75mm		2	1		1	4
110mm		2		1	1	4
121.25mm	1	1			2	4
132.5mm		2			2	4
143.75mm		2	1		2	5
155mm		2		1	2	5
166.25mm	1	1			3	5
177.5mm		2			3	5

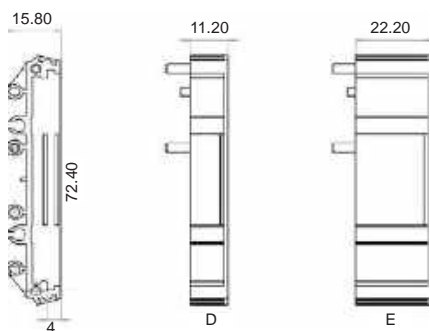
Base element



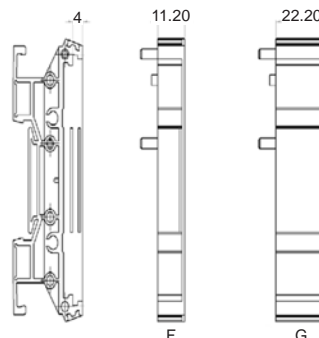
Foot element



End section



End section with foot

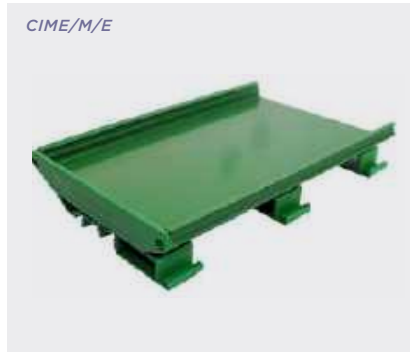




Mini series 72mm empty extruded interface supports

Product overview

- Suitable for 72mm width PCB's
- Snap fit DIN Rail mounting fixtures
- Available in pre-cut lengths up to 2 metres
- Terminal blocks available in same colour
- Base is moulded in PVC
- End caps and feet are moulded in green UL94-V0 flame retardant PA



Complete modules

- Cut to length base element
- One end and feet supplied pre-assembled
- One end and screws supplied loose

PART NO.	DESCRIPTION
CIM72/xxxx/E	Complete module

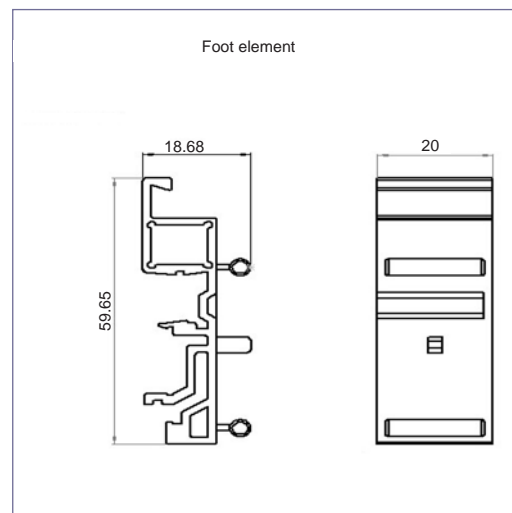
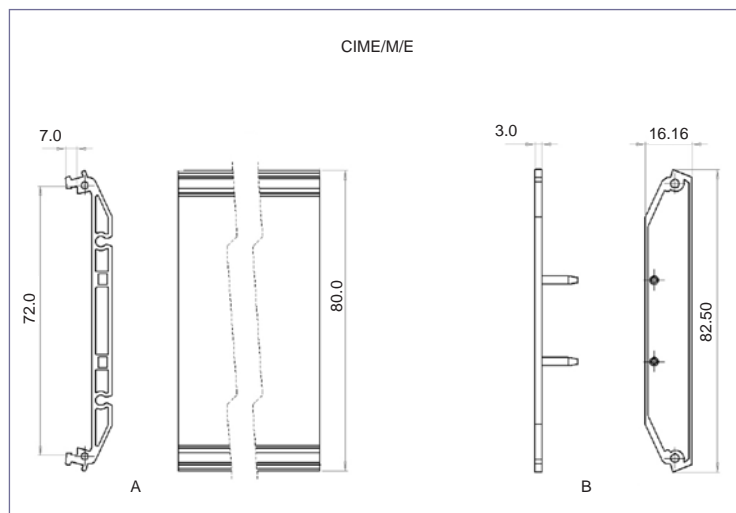
LENGTH	NO. OF FEET
16-50mm	1
51-150mm	2
151-300mm	3
301-500mm	4
501-750mm	5
751-999mm	6

PART NO.	DESCRIPTION
CIME/M/BE2000E	2m Extruded base element
CIME/M/EC0000E	End cover
CIME/M/SCREWE	Fixing screws for end covers
CIME/M/FE0000E	Foot element
CIM72/xxxx/E*	Complete module

*To specify complete modules use pcb length minus 4mm as xxxx, eg. CIM72/126/E is a module for a 130mm pcb. One end and two feet fitted, supplied with one loose end and two screws.

NB. Cutting tolerance is -0 +0.5mm.

Unless otherwise specified, the number of feet supplied are shown below.



002
PCB TERMINAL
BLOCKS

081
TERMINAL STRIPS

095
WIRE TO BOARD
CONNECTORS

100
CIRCULAR
CONNECTORS

151
IP68 CONNECTORS

158
INTERFACE
MODULES AND
RELAY BASES





002
PCB TERMINAL
BLOCKS

081
TERMINAL STRIPS

095
WIRE TO BOARD
CONNECTORS

100
CIRCULAR
CONNECTORS

151
IP68 CONNECTORS

158
INTERFACE
MODULES AND
RELAY BASES

Euro series 107mm empty modular interface support

Product overview

- Suitable for 107mm width PCB's
- Modular construction for easy assembly
- Snap fit DIN Rail mounting fixtures
- Moulded in green UL 94-V0 flame retardant PA
- Terminal blocks available in same colour
- Integral marker facility
- Integral DIN Rail mounting clip



PART NO.	DESCRIPTION	WIDTH
CIME/E/BE1850S	Base element	18.5mm
CIME/E/BE3500S	Base element	35mm
CIME/E/BEF1850S	Base element with foot	18.5mm
CIME/E/BEF3500S	Base element with foot	35mm
CIME/E/SE1000S	End section	11.5mm
CIME/E/SEF1000S	End section with foot	11.5mm

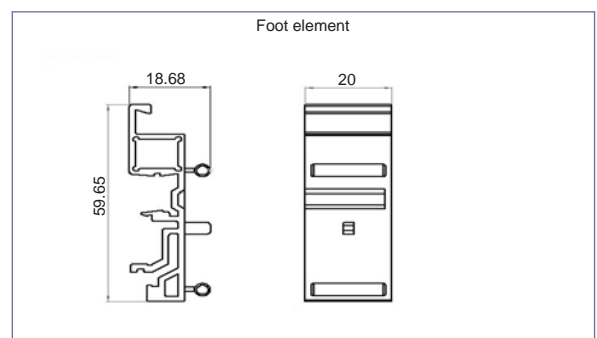
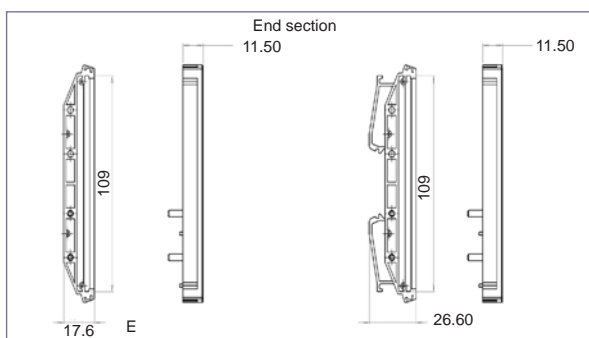
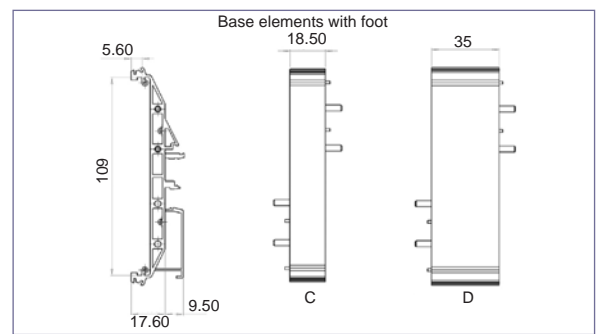
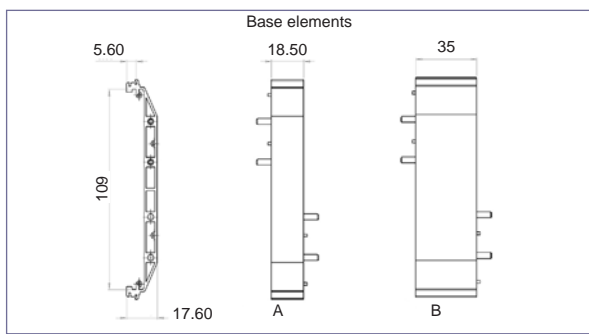
Wall mount plates

- Flush and raised surface mounting plates
- Press into sides of end section without tool
- Use foot element on long lengths with raised plates



PART NO.	DESCRIPTION
CIME/E/MPF	Flush
CIME/E/MPR	Raised

CIME/E/ TOTAL PCB LENGTH	END SECTION SE1000S 11.5MM	BASE ELEMENTS BE1850S 18.5MM	BE1850S 35MM	PART COUNT
20mm	2			2
38.5mm	2	1		3
55mm	2		1	3
73.5mm	2	1	1	4
90mm	2		2	4
108.5mm	2	1	2	5
125mm	2		3	5
143.5mm	2	1	3	6
160mm	2		4	6
178.5mm	2	1	4	7
195mm	2		5	7
213.5mm	2	1	5	8
230mm	2		6	8
248.5mm	2	1	6	9
265mm	2		7	9



CONNECT

170

+44 (0)1638 716101 | sales@camdenboss.com | www.camdenboss.com

We operate a constant improvement policy, our products are subject to change without notice.

Vers 1





002
PCB TERMINAL
BLOCKS

081
TERMINAL STRIPS

095
WIRE TO BOARD
CONNECTORS

100
CIRCULAR
CONNECTORS

151
IP68 CONNECTORS

158
INTERFACE
MODULES AND
RELAY BASES

Euro series 107mm empty extruded interface support

Product overview

- Suitable for 107mm width PCB's
- Snap fit DIN Rail mounting fixtures
- Available in pre-cut lengths up to 2 metres
- Terminal blocks available in same colour
- Base is moulded in PVC
- End caps and feet are moulded in green UL94-V0 flame retardant PA



PART NO.	DESCRIPTION
CIME/E/BE2000E	2m Extruded base element
CIME/E/EC0000E	End cover
CIME/E/SCREWE	Fixing screws for end covers
CIME/E/FE0000E	Foot element
CIM107/xxxx/E*	Complete module

*To specify complete modules use pcb length minus 4mm as xxxx, eg. CIM107/126/E is a module for a 130mm pcb. One end and two feet fitted, supplied with one loose end and two screws.

NB. Cutting tolerance is -0 +0.5mm.

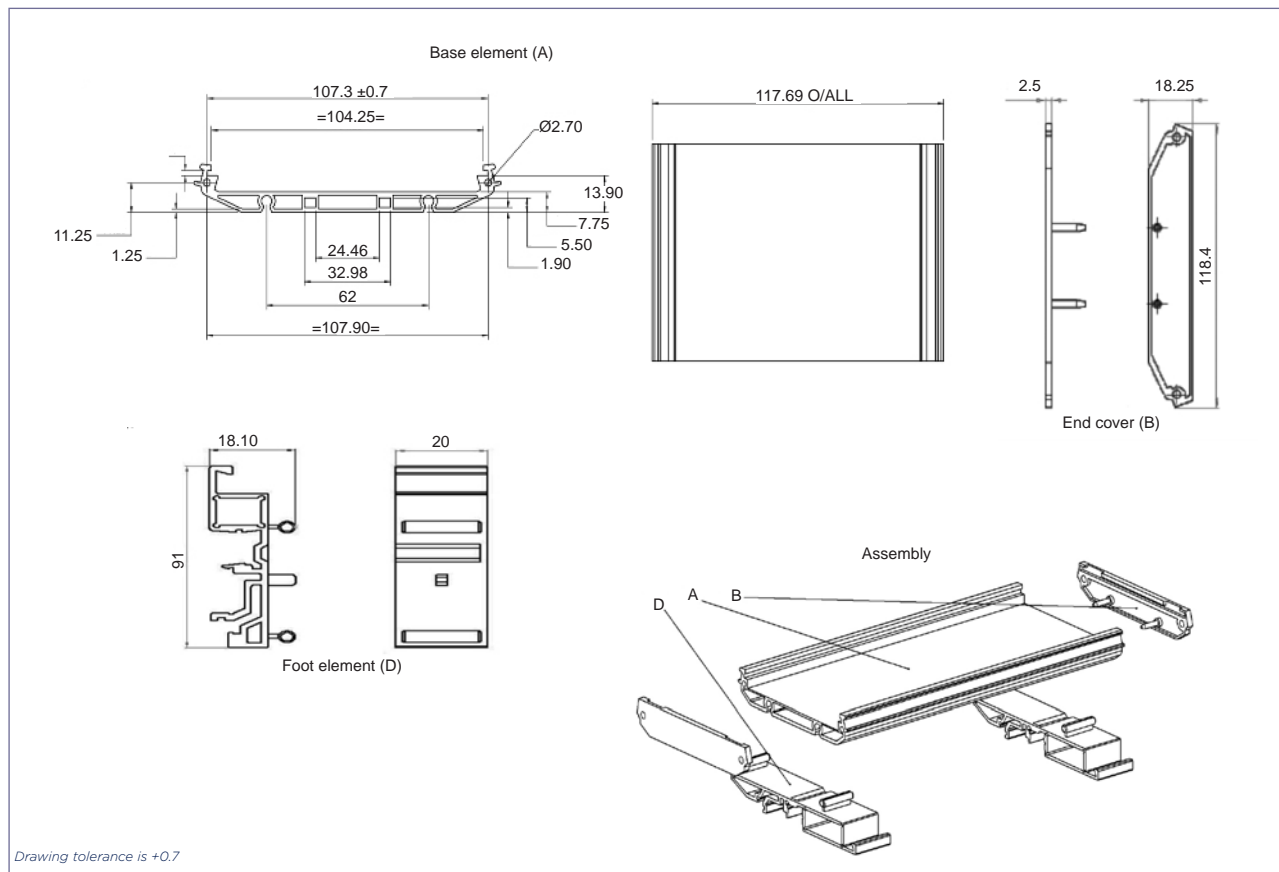
Unless otherwise specified, the number of feet supplied are shown below.

Complete modules

- Cut to length base element
- One end and feet supplied pre-assembled
- One end and screws supplied loose

LENGTH	NO. OF FEET
16-50mm	1
51-150mm	2
151-300mm	3
301-500mm	4
501-750mm	5
751-999mm	6

PART NO.	DESCRIPTION
CIM107/xxxx/E	Complete module



002
PCB TERMINAL
BLOCKS

081
TERMINAL STRIPS

095
WIRE TO BOARD
CONNECTORS

100
CIRCULAR
CONNECTORS

151
IP68 CONNECTORS

158
INTERFACE
MODULES AND
RELAY BASES

INTERFACE MODULES & RELAY BASES - RELAY BASES

Commercial relay bases and clips for 2, 8, and 11 pin relays.



Compact 8-11 pin commercial relay bases **173**



2 pole PCB mounting commercial relay bases **174**



002
PCB TERMINAL
BLOCKS

081
TERMINAL STRIPS

095
WIRE TO BOARD
CONNECTORS

100
CIRCULAR
CONNECTORS

151
IP68 CONNECTORS

158
INTERFACE
MODULES AND
RELAY BASES

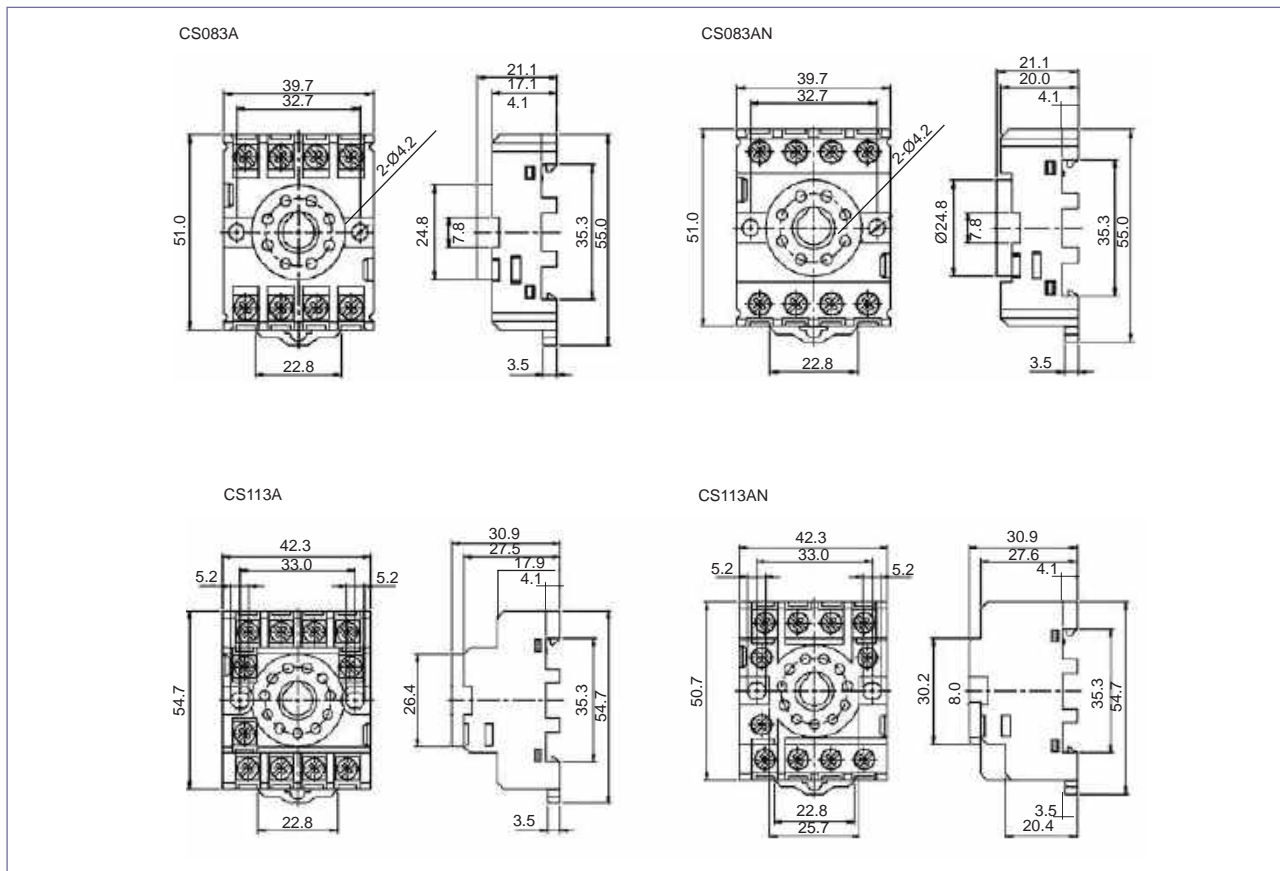
Compact 8-11 pin commercial relay bases

Product overview

- DIN Rail (EN50022) or chassis screw mounting
- Screw driver release DIN clip
- Rising saddle terminals for ease of wire insertion
- Accepts fork, ferule and ring terminals (ring non IP20 only)
- 2 x 2.5mm² cable acceptance
- 2 x 1.5mm² bootlace crimp
- IP20 finger protection types
- Relay retaining clip accessory
- Tubular contacts for reliability
- Terminal numbering to DIN 46199
- G rail adaptor available
- approved

SPECIFICATION	
Rating	10A/250VAC
Dielectric strength	>2kV
Working temperature	-25°C to 55°C
Insulation resistance	1,000MΩ/500VDC
Moulding	UL94-V0 PA66
Contacts	Phosphor bronze, tin-plated <3µm
Screws	Low carbon steel, lower layer copper plating <2µm, surface layer nickel plating <3µm
Terminal screw torque	0.7Nm max
Insertion force	100N max

PART NO.	DESCRIPTION
CS083A	8-pin open
CS083AN	8-pin IP20 finger protection
CS113A	11-pin open
CS113AN	11-pin IP20 finger protection
CSC03	Retaining clip



002
PCB TERMINAL
BLOCKS

081
TERMINAL STRIPS

095
WIRE TO BOARD
CONNECTORS

100
CIRCULAR
CONNECTORS

151
IP68 CONNECTORS

158
INTERFACE
MODULES AND
RELAY BASES

2 pole PCB mounting commercial relay bases

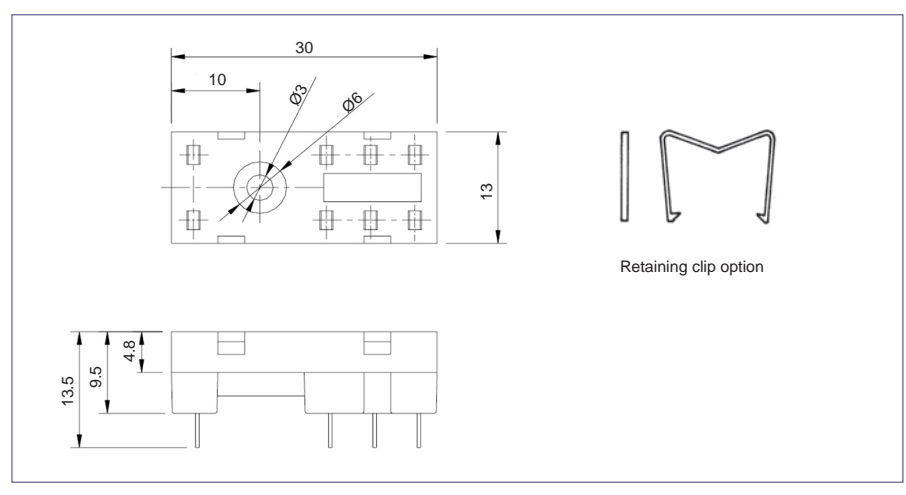
Product overview

- 5.0mmx7.5mm pitch
- PCB mounting
- Anti solder wicking pins
- Solid pins for improved solderability
- Metal clip in 3 heights to order
-  approved



SPECIFICATION	
Rating	12A/250VAC
Dielectric strength	>2.5kV
Working temperature	-25°C +70°C
Moulding	UL94-V1 self extinguishing glass filled PPO
Contacts	6µ tin plated brass
Insertion force	100N max

PART NO.	DESCRIPTION
C2S080	2 pole base





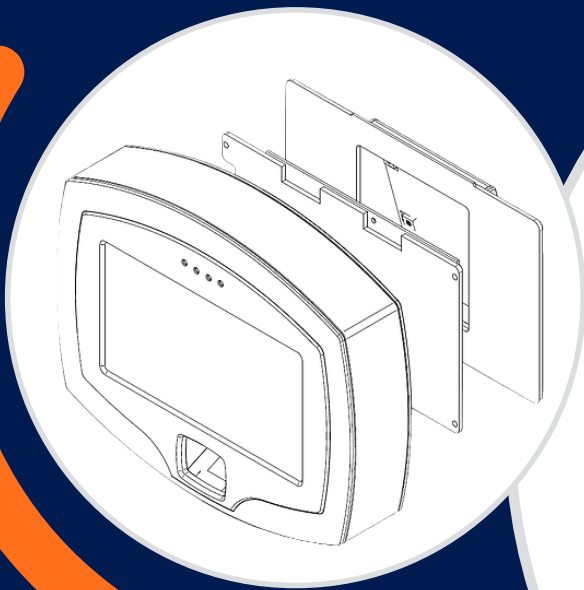
www.smartboxx.co.uk

SMARTBOXX

**Limitless design
solutions for
exceptional ideas.**

Think smart... expect more

See what we can do for you
on pages 438-443



**CALL OUR
SALES TEAM ON
01842 766 557**



Switch

MICROSWITCHES	178
TACTILE SWITCHES	182
22MM CONTROL SWITCHES	186
FOOTSWITCHES	191
LIMIT SWITCHES	193
PIEZO SWITCHES AND KEYPADS	203

178
MICROSWITCHES

182
TACTILE SWITCHES

186
22MM CONTROL
SWITCHES

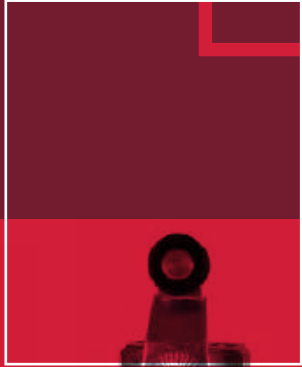
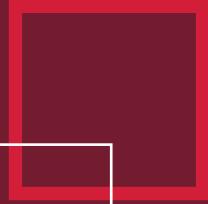
191
FOOT SWITCHES

193
LIMIT SWITCHES

203
PIEZO SWITCHES
AND KEYPADS



179



208



199



188



192



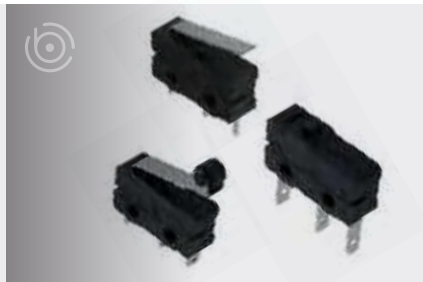
MICROSWITCHES

V3, V4, and ultra-miniature microswitches are available in a variety of terminations and actuators. These switches are used in consumer devices, industrial equipment and more.



V3 type microswitches 5A, 10A and 15A

179



V4 type sub miniature microswitches 5A

180




Ultra miniature microswitches

181

V3 type microswitches 5A, 10A and 15A

Product overview

- Rating 5A, 10A and 15A switching S.P.D.T.
- Coil spring mechanism
- 6.3mm (.250), 4.8mm (.187) quick connect, solder and screw terminals
- Button, lever or roller actuators
-  approved

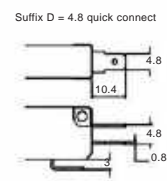
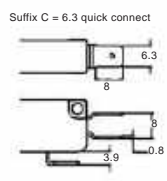
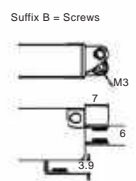
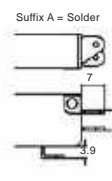


SPECIFICATION		
Rating	CSM31500 CSM31000 CSM30500	15A/250VAC 10A/250VAC 5A/250VAC
Contact resistance	30mΩ max	
Insulation strength	100MΩ min/500VAC	
Electrical life	50,000 operations min	
Temperature range	-10°C to +105°C	
Material	Case Button Actuator Contacts	PBT Bakelite Stainless steel AgNi10-Cu Silver plated brass

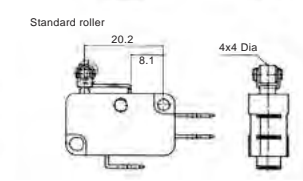
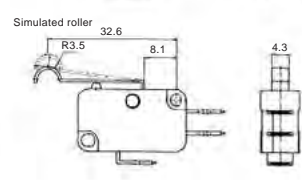
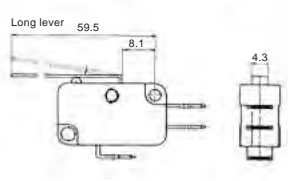
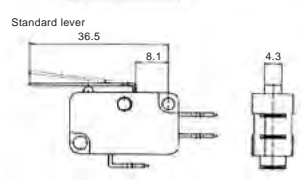
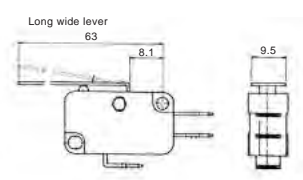
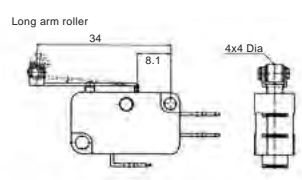
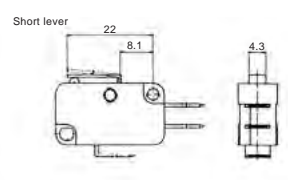
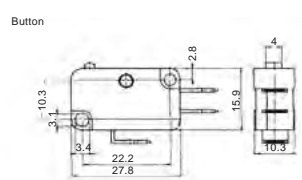
15A	10A	5A	ACTUATOR STYLE	OPERATING FORCE MAX	RELEASE FORCE MAX	OPERATING POSITION	PRE TRAVEL MAX	MOVEMENT DIFFERENTIAL	OVER TRAVEL MIN
CSM31500-	CSM31000-	CSM30500-	Button	3N	0.7N	14.9 ± 0.4mm	1.4mm	0.4mm	1mm
CSM31510-	CSM31010-	CSM30510-	Short lever	3N	0.7N	15.8 ± 0.5mm	1.4mm	0.5mm	1mm
CSM31520-	CSM31020-	CSM30520-	Standard lever	0.7N	0.15N	16.3 ± 1.2mm	4mm	1mm	2mm
CSM31530-	CSM31030-	CSM30530-	Long lever	0.25N	0.05N	17.2 ± 2.5mm	8mm	2mm	4mm
CSM31531-	-	CSM30531-	Long wide lever	0.25N	0.07N	17.2 ± 2.5mm	8mm	2mm	4mm
CSM31540-	CSM31040-	CSM30540-	Simulated roller	1.05N	0.2N	19.5 ± 1.2mm	4mm	1mm	2mm
CSM31550-	CSM31050-	CSM30550-	Standard roller	3.2N	0.6N	21.4 ± 0.6mm	1.4mm	0.4mm	1mm
CSM31560-	CSM31060-	CSM30560-	Long arm roller	0.8N	0.15N	21.4 ± 1.2mm	4mm	1mm	2mm

*Please add suffix for terminal type (eg CSM31540Δ - 15A simulated roller type with solder tag terminals)

Types of terminal



Types of actuator




KEY FEATURES

Button, lever or roller actuators | Solder, screw and quick connect terminals



V4 type sub miniature microswitches 5A

Product overview

- Rating 5A switching S.P.D.T. (10A to order)
- Long life coil spring mechanism
- Solder, PCB, 90° PCB mounting or 2.8mm quick connect terminals
- Button, lever or roller actuators
- Anti-solder wicking
-  approved

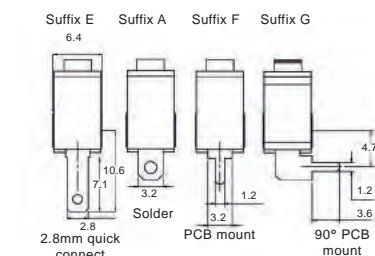


SPECIFICATION									
Rating	5A/250VAC (10A to order)								
Contact resistance	50mΩ max								
Insulation strength	100MΩ min/500VDC								
Electrical life	50,000 operations min								
Temperature range	-10°C to +125°C								
Material	<table border="1"> <tr> <td>Case</td> <td>PBT</td> </tr> <tr> <td>Button</td> <td>PPS</td> </tr> <tr> <td>Actuator</td> <td>Stainless steel</td> </tr> <tr> <td>Contacts</td> <td>AgNi10-Cu</td> </tr> </table>	Case	PBT	Button	PPS	Actuator	Stainless steel	Contacts	AgNi10-Cu
Case	PBT								
Button	PPS								
Actuator	Stainless steel								
Contacts	AgNi10-Cu								
Terminals	Brass alloy H65 silver plated								

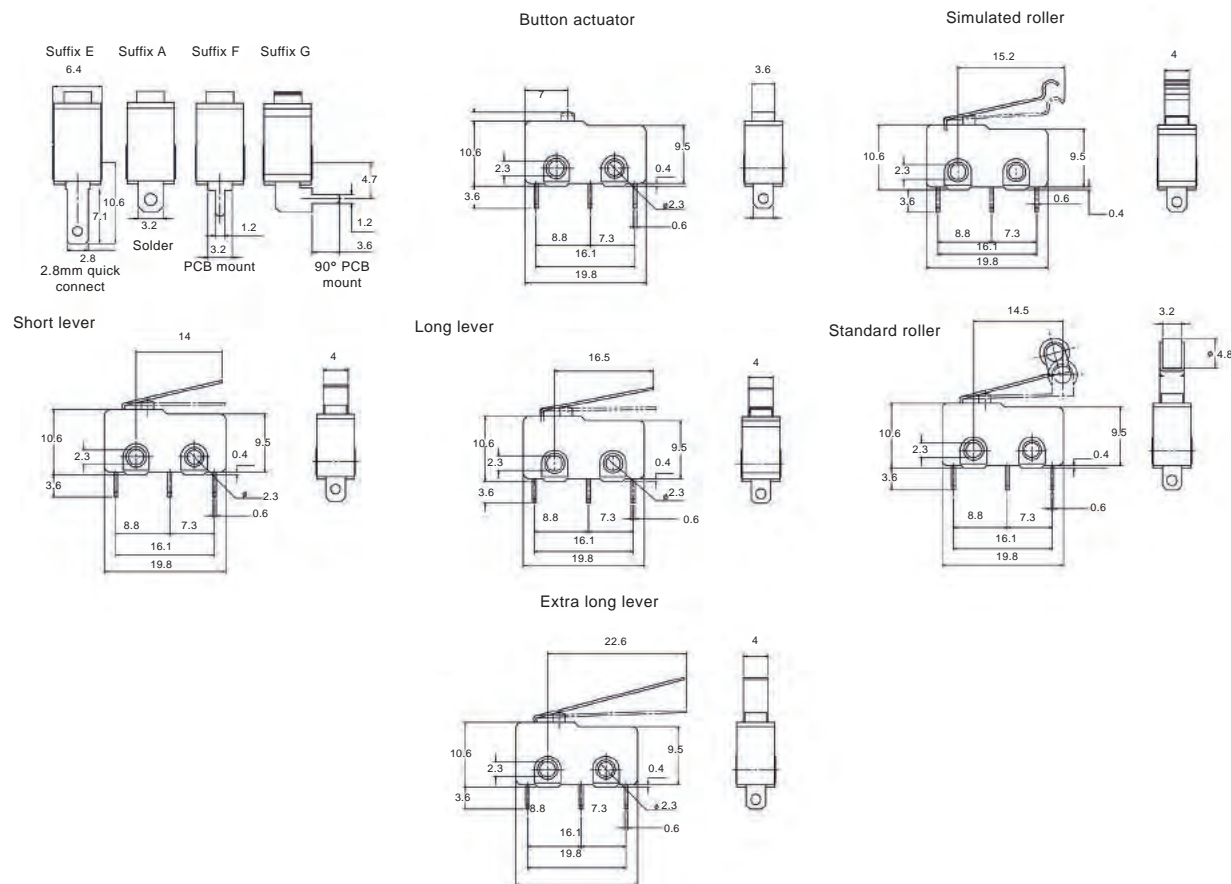
5A	ACTUATOR STYLE	OPERATING FORCE MAX	RELEASE FORCE MAX	OPERATING POSITION	PRE TRAVEL MAX	MOVEMENT DIFFERENTIAL	OVER TRAVEL MIN
CSM40500-	Button	1.5N	0.3N	8.6 ± 0.4mm	0.8mm	0.2mm	0.5mm
CSM40510-	Short lever	0.25N	0.04N	8.9 ± 1mm	4.6mm	0.8mm	0.8mm
CSM40520-	Standard lever	0.25N	0.06N	8.9 ± 1mm	5mm	0.8mm	1.2mm
CSM40530-	Long lever	0.2N	0.03N	9.6 ± 2mm	7.5mm	1.5mm	1.6mm
CSM40540-	Simulated roller	0.25N	0.04N	12 ± 1.2mm	4.7mm	0.8mm	1.2mm
CSM40550-	Standard roller	0.25N	0.04N	15.2 ± 1mm	4.8mm	0.9mm	1.2mm
CSM40580-	Extra long lever	0.1N	0.02N	9.8 ± 1.5mm	8mm	2.5mm	1.5mm

*Please add suffix for terminal type (eg CSM40540E - 5A simulated roller type with 2.8mm quick connect terminals)

Types of terminal





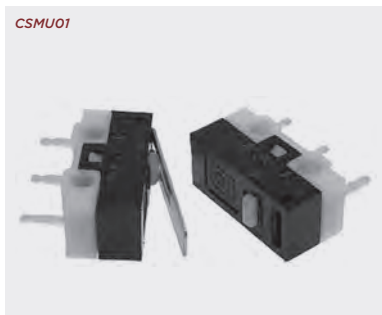
Types of actuator



Ultra miniature microswitches

Product overview

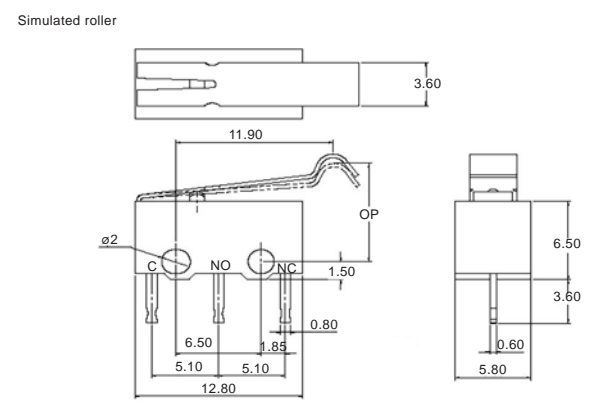
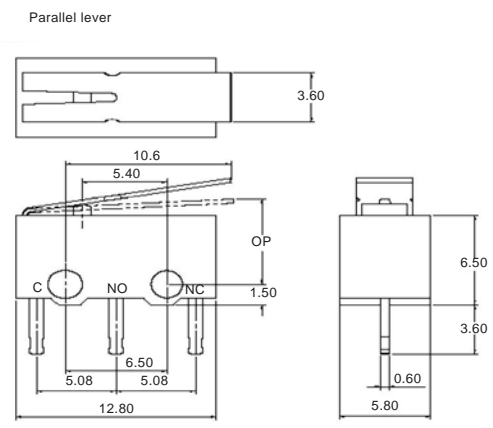
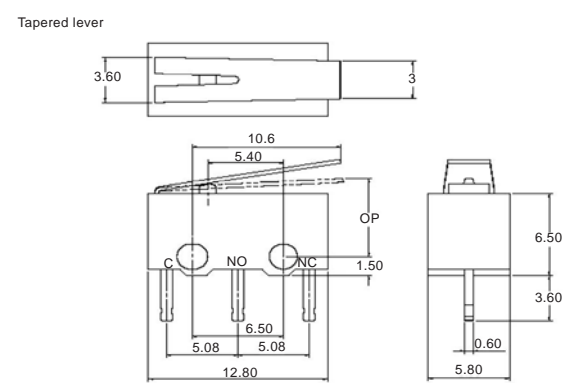
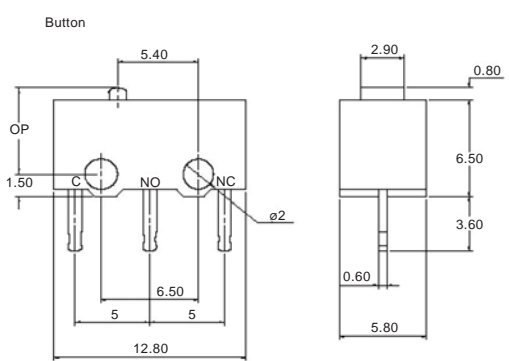
- Rating 3A switching S.P.D.T.
- Space saving simulated
- Button, lever or roller actuators
- PCB mounting
- 90° Pins available to order
-  and  approved



SPECIFICATION		
Rating	3A/125VAC	
Contact resistance	50mΩ max	
Insulation strength	100MΩ min/500VDC	
Electrical life	10,000 operations min	
Temperature range	-10°C to +85°C	
Material	Case Button Actuator Contacts	PBT PBT Stainless steel AgNi10
Terminals	Brass alloy H65 silver plated	

3A	ACTUATOR STYLE	OPERATING FORCE MAX	RELEASE FORCE MAX	OPERATING POSITION	PRE TRAVEL MAX	MOVEMENT DIFFERENTIAL	OVER TRAVEL MIN
CSMU0100	Button	1.5N	0.08N	5.5 ± 0.3mm	N/A	0.2mm	0.2mm
CSMU0101	Tapered lever	0.23N	0.03N	6.2 ± 0.8mm	N/A	0.7mm	0.7mm
CSMU0106	Parallel lever	0.23N	0.03N	7 ± 1.2mm	N/A	0.7mm	0.7mm
CSMU0140	Simulated roller	0.4N	0.05N	8.2 ± 1.5mm	4.2mm	0.9mm	0.9mm

Types of actuator



KEY FEATURES

Ultra miniature, space saving profile | Single pole double throw action



178
MICROSWITCHES

182
TACTILE SWITCHES

186
22MM CONTROL SWITCHES

191
FOOT SWITCHES

193
LIMIT SWITCHES

203
PIEZO SWITCHES AND KEYPADS

TACTILE SWITCHES

A variety of tactile switches for surface or through-hole mounting. These switches are typically used for keyboards, keypads, instruments or interface control-panel applications.



3.5x6mm tactile switches **183**



6x6mm tactile switches **184**



12x12mm tactile switches **185**

SWITCH

3.5x6mm tactile switches

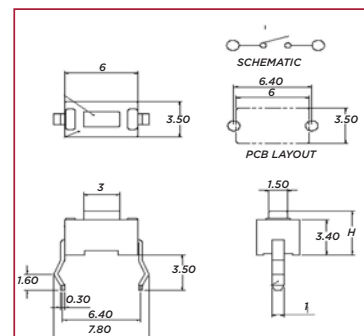
Product overview

- Compact design
- Advanced switch technology
- Positive tactile action
- Tamper proof application
- Flow solder wash-away cleaning
- Through-hole PCB and surface mount terminals
- Can be supplied taped for auto-insertion, add suffix /T

SPECIFICATION		
Rating	50mA/12VDC	
Contact resistance	100mΩ max	
Insulation strength	100MΩ min/500VDC	
Electrical life	30,000 operations min	
Temperature range	-10°C to +60°C	
Operating force	180GF ± 50GF	
Material	Case Button Contacts	Nylon Nylon Stainless steel silver plated
Terminals	Brass silver plated	

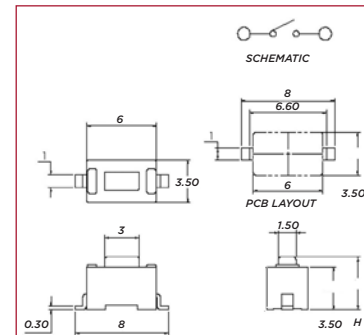
Through-hole PCB terminals

PART NO.	BUTTON HEIGHT
CST35643T	4.3mm
CST35605T	5.0mm



Surface mount terminals

PART NO.	BUTTON HEIGHT
CST35643S	4.3mm
CST35605S	5.0mm



KEY FEATURES

3.5x6mm | Tape and reel option | Kinked pin or surface mount

6x6mm tactile switches

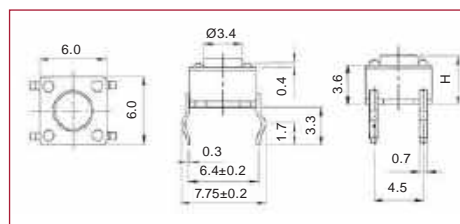
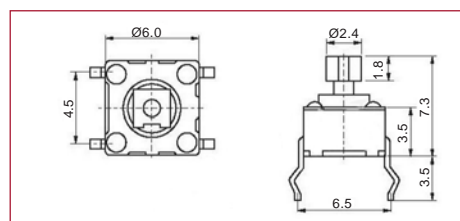
Product overview

- Advanced switch technology
- Positive tactile action
- Tamper proof application
- Flow solder wash-away cleaning
- Through-hole PCB, surface mount and horizontal terminals
- Square and round button styles
- Other button heights available
- Can be supplied taped for auto-insertion, add suffix /T
- Low operation force available add suffix -LF

SPECIFICATION		
Rating	50mA/12VDC	
Contact resistance	100mΩ max	
Insulation strength	100MΩ min/500VDC	
Electrical life	100,000 operations min	
Temperature range	-10°C to +60°C	
Operating force	180GF ± 50GF	
Material	Case Button Contacts Terminals	Nylon Nylon Stainless steel silver plated Brass silver plated

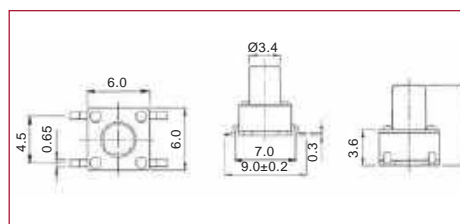
Through-hole PCB terminals

PART NO.	BUTTON HEIGHT FROM BASE	BUTTON SIZE
CST06S0AT	7.4mm	2.4x2.4mm
CST06S43T	4.3mm	ø3.4mm
CST06S05T	5mm	ø3.4mm
CST06S73T	7.3mm	ø3.4mm
CST06S08T	8mm	ø3.4mm
CST06S95T	9.5mm	ø3.4mm
CST06S13T	13mm	ø3.4mm



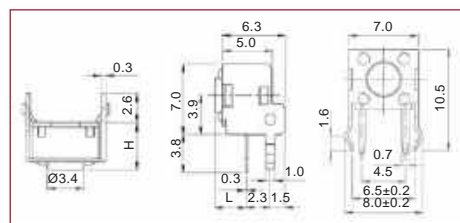
Surface mount terminals

PART NO.	BUTTON HEIGHT FROM BASE
CST06S43S	4.3mm
CST06S05S	5mm
CST06S08S	8mm



Horizontal PCB terminals

PART NO.	BUTTON HEIGHT FROM BASE
CST06S43H	4.3mm
CST06S05H	5mm
CST06S08H	8mm



12x12mm tactile switches

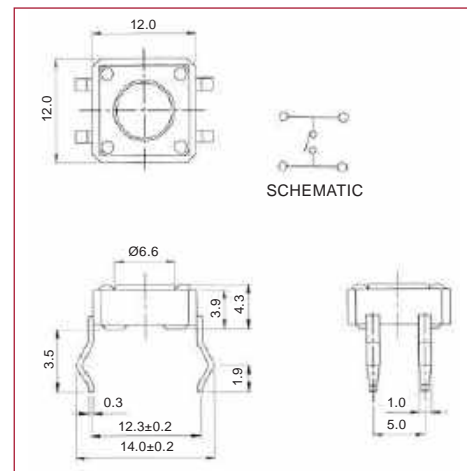
Product overview

- Advanced switch technology
- Positive tactile action
- Tamper proof application
- Flow solder wash-away cleaning
- Through-hole PCB and surface mount terminals
- Square and round button styles
- Can be supplied taped for auto-insertion, add suffix /T

SPECIFICATION		
Rating	50mA/12VDC	
Contact resistance	100mΩ max	
Insulation strength	100MΩ min/500VDC	
Electrical life	100,000 operations min	
Temperature range	-10°C to +60°C	
Operating force	180GF ± 50GF	
Material	Case Button Contacts Terminals	Nylon Nylon Stainless steel silver plated Brass silver plated

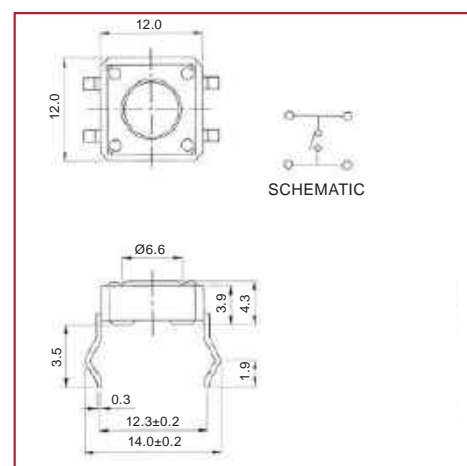
Through-hole PCB terminals

PART NO.	BUTTON HEIGHT FROM BASE
CST12S0AT	7.3mm
CST12S43T	4.3mm



Surface mount terminals

PART NO.	BUTTON HEIGHT FROM BASE
CST12S0AS	7.3mm
CST12S43S	4.3mm



KEY FEATURES

12 x 12mm | Surface mount or through hole options | Two button height options



178
MICROSWITCHES

182
TACTILE SWITCHES

186
22MM CONTROL SWITCHES

191
FOOT SWITCHES

193
LIMIT SWITCHES

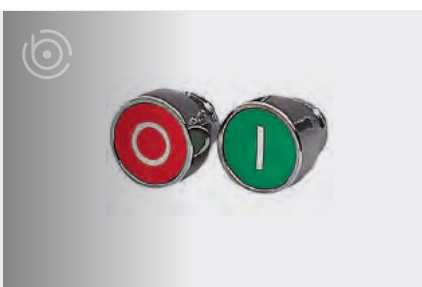
203
PIEZO SWITCHES AND KEYPADS

22MM CONTROL SWITCHES

22mm pushbuttons, emergency stops, and selector switches featuring metal and plastic bodies. A variety of accessories including mounting plates and contact blocks are also available.



IP65 illuminated pushbuttons **187**



Push buttons **188**



Selector switch **189**



Contact block **190**



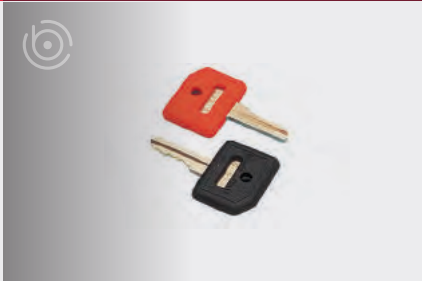
Mounting plate **190**



Contact block with mounting plate **190**



Dust cap **190**



Keys for e-stop key release **190**



Button surrounds **190**

SWITCH





IP65 illuminated pushbuttons



Product overview

- Plastic IP65 illuminated flush pushbutton switches
- 22mm diameter
- Momentary or latching
- Easy assemble contact block and support module
- Additional button options to order
- Conforms to IEC 60947-5-1 EN60947-5-1 standards
- approved



SPECIFICATION		
Rated voltage*	690V	
Rated AC current	24V	10A
	240V	6A
	400V	4A
Rated DC current	24V	2.8A
	125V	0.55A
	250V	0.27A
Withstand voltage	8kV	
Resistance	≤25mΩ	
Material	Plastic	Thermoplastic body
	Ingress protection	
IP65**		IP20***
Mechanical durability	300,000	
Operating temperature	-25°C to 70°C	

*According to IEC 60947-1 & EN60947-1
 **Front of panel
 ***Rear of panel

PART NO.	LED COLOUR
CCPPRI30RD	Red
CCPPRI30GW	Green
CCPPRI30YW	Yellow
CCPPRI30BL	Blue
CCPPRI30CL	Transparent
CCPPRI30WH	White

PART NO.	DESCRIPTION
CCPIPP	Mounting plate
CCPICOG	Green NO contact block
CCPICIR	Red NC contact block
CCPICLB	Brown NO latching contact block



LED COLOUR	12V	24V	110V	230V
Red	CCPIC012R	CCPIC024R	CCPIC110R	CCPIC230R
Green	CCPIC012G	CCPIC024G	CCPIC110G	CCPIC230G
Yellow	CCPIC012Y	CCPIC024Y	CCPIC110Y	CCPIC230Y
Blue	CCPIC012B	CCPIC024B	CCPIC110B	CCPIC230B
White	CCPIC012W	CCPIC024W	CCPIC110W	CCPIC230W



- 178
MICROSWITCHES
- 182
TACTILE SWITCHES
- 186
22MM CONTROL SWITCHES
- 191
FOOT SWITCHES
- 193
LIMIT SWITCHES
- 203
PIEZO SWITCHES AND KEYPADS

ASSOCIATED PRODUCTS

- CCS00GY01 - Electrical enclosures page 336/337
- CAE series - Diecast aluminium electrical enclosures page 409





178
MICROSWITCHES

182
TACTILE SWITCHES

186
22MM CONTROL SWITCHES

191
FOOT SWITCHES

193
LIMIT SWITCHES

203
PIEZO SWITCHES AND KEYPADS

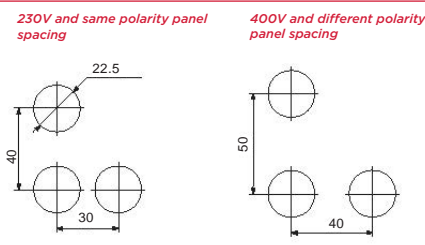
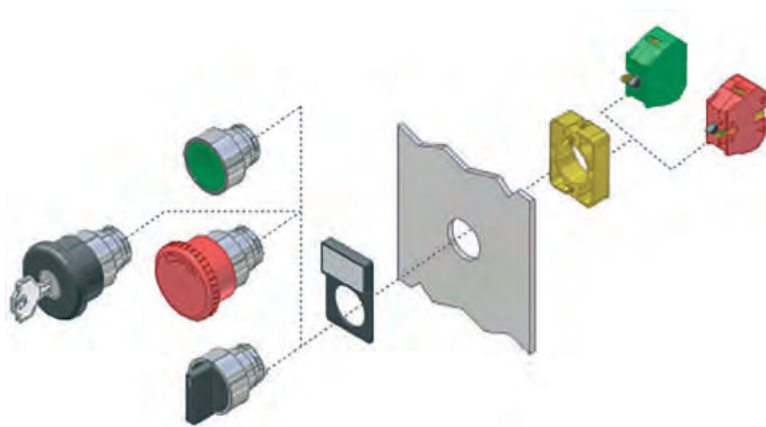
22mm diameter control switches

Product overview

- Metal and plastic bodied control push-buttons, E-stops and selector switches
- Rated 660V, 10A max AC
- Operating frequency 3,600 per hour
- Panels mount 1-6mm thick
- Positive opening operation
- Conform to IEC 947-5-1 and EN 60947-5-1
- Terminal marking to EN 50013
- Other button options available to order
- approved

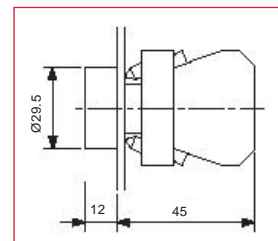


SPECIFICATION		
Rated voltage	660V	
Rated AC current	24V 240V 400V	10A 6A 4A
Rated DC current	24V 125V 250V	2.8A 0.55A 0.27A
Short circuit protection	gG fuse	10A
Impulse withstand	6kV	
Internal resistance	<25mΩ	
Wire acceptance	0.75-2.5mm ²	
Rated temperature	Operating Storage	-25°C to +75°C -40°C to +80°C
Material	Metal Plastic	Chromium plated Fibreglass reinforced thermo-plastic
Electrical protection	Metal Plastic	Class I Class II
Ingress protection	IP65	
Mechanical durability	1x10 ⁶ Operations	



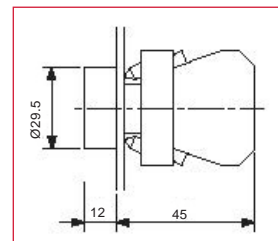
Flush push buttons

METAL BODIED	PLASTIC BODIED	COLOUR
CCTTR30BK	CCTPR30BK	Black
CCTTR30RD	CCTPR30RD	Red
CCTTR30GW	CCTPR30GW	Green
CCTTR30YW	CCTPR30YW	Yellow
CCTTR30BL	CCTPR30GW	Blue
CCTTR30WH	CCTPR30WH	White



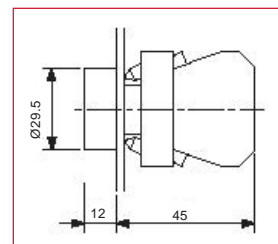
On/off push buttons

METAL BODIED	PLASTIC BODIED	COLOUR
CCTTR00RD	CCTPR00RD	Red - 0
CCTTR01GN	CCTPR01GN	Green - 1



Arrow push buttons

METAL BODIED	PLASTIC BODIED	STYLE
CCTTRAHBK	N/A	Horizontal
CCTTRAVBK	N/A	Vertical



SWITCH





178
MICROSWITCHES

182
TACTILE SWITCHES

186
22MM CONTROL SWITCHES

191
FOOT SWITCHES

193
LIMIT SWITCHES

203
PIEZO SWITCHES AND KEYPADS

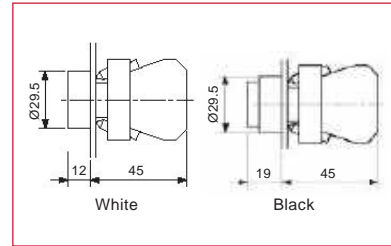
SWITCH

189

Start/stop push buttons

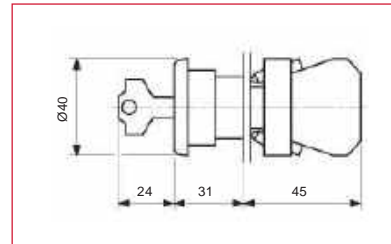
METAL BODIED	PLASTIC BODIED	STYLE	COLOUR
CCTTRSTWH	N/A	Start	White
CCTTRSPBK	N/A	Stop	Black
CCTTRONWH	N/A	On	White
CCTTROFBK	N/A	Off	Black

Black button - extended height



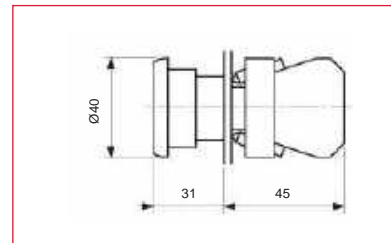
40mm E-stop key release push buttons

METAL BODIED	PLASTIC BODIED	COLOUR
CCTTM41LB	CCTPM41LB	Black
CCTTM41LR	CCTPM41LR	Red



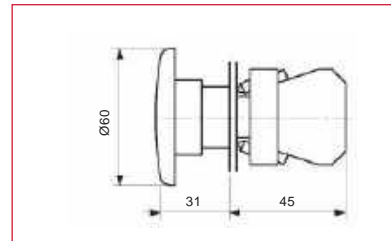
40mm E-stop twist release push buttons

METAL BODIED	PLASTIC BODIED	COLOUR
CCTTM40LB	CCTPM40LB	Black
CCTTM40LR	CCTPM40LR	Red



60mm E-stop twist push buttons

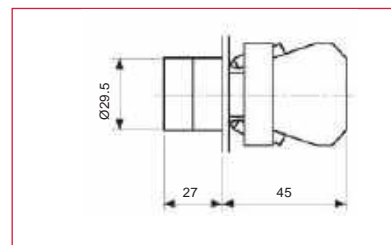
METAL BODIED	PLASTIC BODIED	COLOUR
CCTTM60LB	CCTPM60LB	Black
CCTTM60LR	CCTPM60LR	Red



Selector switch

- Black short lever, 2 and 3 position selector switch
- Maintained and spring return options

METAL BODIED	PLASTIC BODIED	POSITIONS	STYLE
CCTTSS211	CCTPSS211	2	Maintained left and right
CCTTSS210	CCTPSS210	2	Return left
CCTTSS311	CCTPSS311	3	Maintained left, centre and right
CCTTSS300	CCTPSS300	3	Return to centre from left and right
CCTTSS301	CCTPSS301	3	Return to centre from left, maintained right
CCTTSS310	CCTPSS310	3	Return to centre from right, maintained left





178
MICROSWITCHES

182
TACTILE SWITCHES

186
22MM CONTROL SWITCHES

191
FOOT SWITCHES

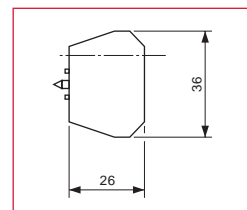
193
LIMIT SWITCHES

203
PIEZO SWITCHES AND KEYPADS

Contact block

- NO and NC contact blocks
- Screw fixed to mounting plate
- Can be stacked side by side/piggybacked

CCTTCIR / CCTTCOG

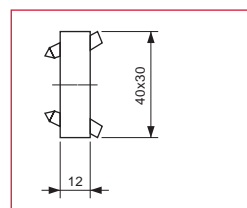


PART NO.	TYPE
CCTTCIR	Red NC
CCTTCOG	Green NO

Mounting plate

- Mounting plate for contact blocks
- Holds 1 or 2 NO or NC contact blocks
- Metal plate must be used with metal switches
- Plastic to be used with plastic bodied switches

CCTTP / CCTTPP

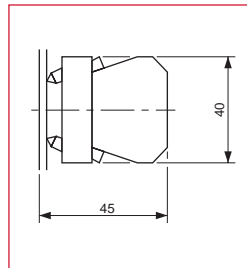


PART NO.	TYPE
CCTTP	Metal mounting plate
CCTTPP	Plastic mounting plate

Contact block with mounting plate

- Contact blocks and mountings plates as above supplied as one assembly
- Plastic plate must be used with plastic switches
- Metal to be used with metal

CCTTCIR / CCTTCOG / CCTTPP



PART NO.	TYPE
CCIOB	Green NO contact + metal base
CCOIB	Red NC contact + metal base
CCIOB/P	Green NO contact + plastic base
CCOIB/P	Red NC contact + plastic base

Dust cap

- Clear silicone dust cap for push button switches
- Other colours to order

CCTTRDCL



PART NO.	TYPE
CCTTRDCL	Clear dust cap

Keys for E-stop key release

CCTTKRD / CCTTKBK



PART NO.	TYPE
CCTTKRD	Red
CCTTKBK	Black

Button surrounds

- Yellow engraved text emergency stop
- Black name plate with recessed label area

CCTTBES



PART NO.	TYPE
CCTTBES	60mm diameter e-stop
CCTTBNP	Name plate blank

SWITCH



FOOT SWITCHES

Guarded and unguarded footswitches with options for different contact sets are available for industrial and automation applications.



178
MICROSWITCHES

182
TACTILE SWITCHES

186
22MM CONTROL SWITCHES

191
FOOT SWITCHES

193
LIMIT SWITCHES

203
PIEZO SWITCHES AND KEYPADS

SWITCH

191

Heavy duty footswitch

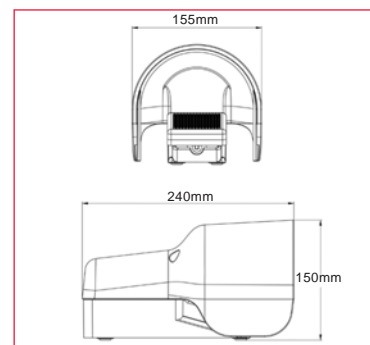
Product overview

- Industrial die-cast footswitch for heavy duty applications
- Snap action and slow action contact blocks 1 NO + 1 NC
- Rising saddle-washer terminal connections
- Single or double-pole contact blocks
- Positive opening operation
- Silver contacts
- Anti-slip foot pedal
- Non-slip rubber feet
- Supplied with cable gland
- Manufactured to meet the requirements of IP65
- CE approved

SPECIFICATION				
Contact block rated	10A			
Insulation voltage (Ui)	500VAC 600VDC			
Utilisation categories	Q300 A600	69VA, 125-250VDC 720VA, 120-600VAC		
Protection against short circuits	Fuse 10A 500V type aM			
Alternate current: AC15 (50-60Hz)	Ui (V) Ie (A)	250 6	400 4	500 500
Direct current: DC13	Ui (V) Ie (A)	24 6	125 1.1	250 0.4
Connectors flexible wire sizes	min - 1 x 0.5 mm ² (1 x AWG 20) max - 2 x 2.5mm ² (2 x AWG 14)			
Actuating force	Single snap action Single slow action Double snap action Double slow action	10N 12N 13N 15N		
Ambient temperature	From -25°C to +80°C			
Weight	Guarded Unguarded	1.4 kg 0.55 kg		

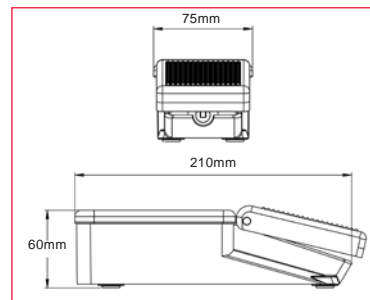
Guarded footswitch

PART NO.	TYPE
CFSHC1	Guarded 1 snap action contact block - 1NO + 1NC
CFSHC2	Guarded 1 slow action contact block - 1NO + 1NC
CFSHC1C1	Guarded 2 snap action contact blocks - 2x 1NO + 1NC
CFSHC2C2	Guarded 2 slow action contact blocks - 2x 1NO + 1NC
CFSHC1C2	Guarded 1 snap and 1 slow action contact blocks 2x 1NO + 1NC



Un-guarded footswitch

PART NO.	TYPE
CFUHC1	Unguarded 1 snap action contact block - 1NO + 1NC
CFUHC2	Unguarded 1 slow action contact block - 1NO + 1NC
CFUHC1C1	Unguarded 2 snap action contact blocks - 2x 1NO + 1NC
CFUHC2C2	Unguarded 2 slow action contact blocks - 2x 1NO + 1NC
CFUHC1C2	Unguarded 1 snap and 1 slow action contact blocks - 2x 1NO + 1NC



KEY FEATURES

NO or NC contact blocks | Snap action or slow action | Double or single contacts

LIMIT SWITCHES

Metal and plastic bodied limit switches with a wide range of body styles and actuators.

		
<p>30mm wide limit switches 194</p>	<p>40mm wide limit switches 195</p>	<p>50mm wide IP65 limit switches 196</p>
		
<p>50mm wide IP66 limit switches 197</p>	<p>60mm wide limit switches 198</p>	<p>30mm wide pre-wired limit switches 199</p>
		
<p>35mm wide pre-wired limit switches 200</p>	<p>Safety limit switches 201</p>	

178
MICROSWITCHES

182
TACTILE SWITCHES

186
22MM CONTROL SWITCHES



191
FOOT SWITCHES

193
LIMIT SWITCHES

203
PIEZO SWITCHES AND KEYPADS

30mm wide limit switches

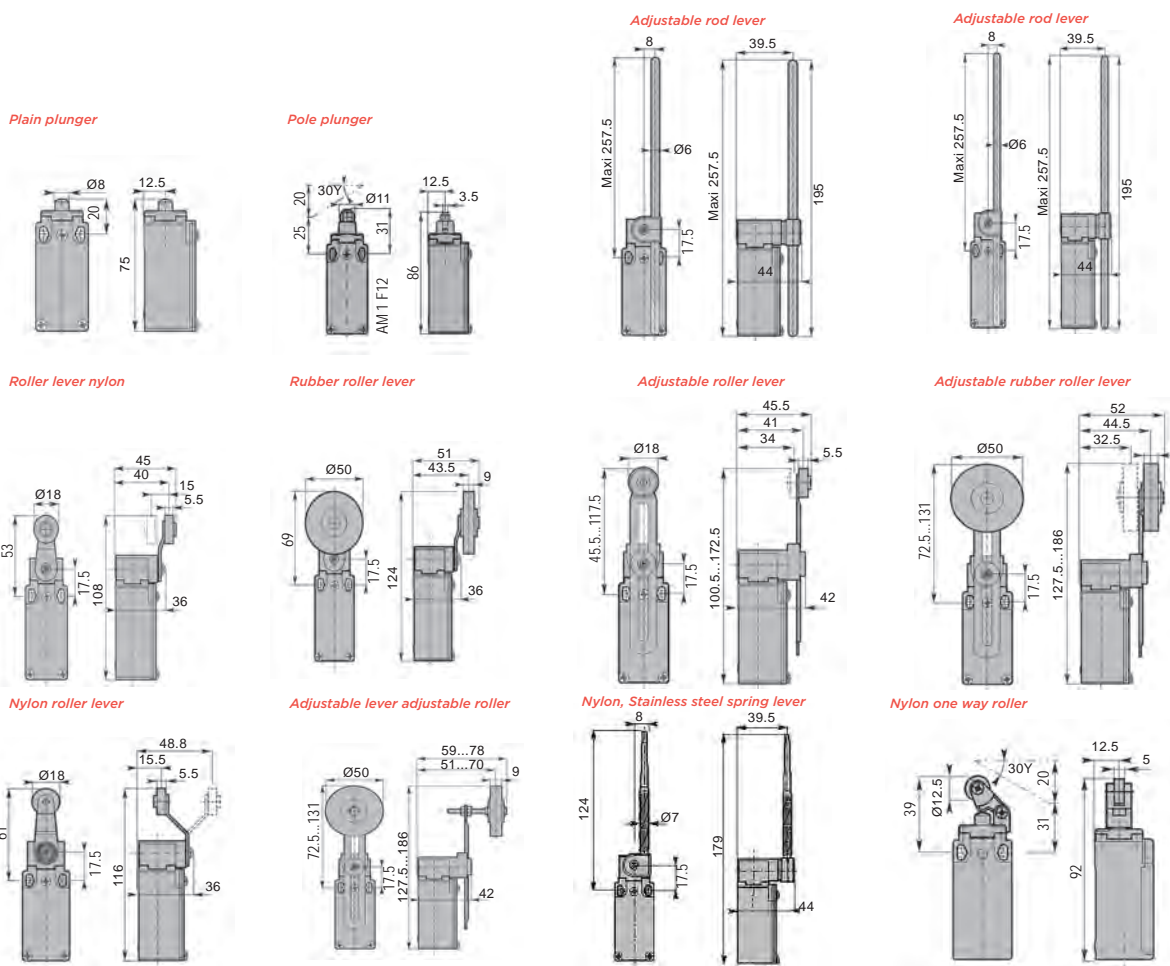
Product overview

- 30mm width
- Double insulated plastic
- Plastic option to IP65
- Metal option to IP66
- Snap action contacts
-   approved




SPECIFICATION	
Rating	500V
Shock withstand	50g
Impulse withstand voltage	6kV
Working temperature	-25°C to +70°C
Switching frequency	3600 cycles/h
Load factor	0.5
Short circuit protection	10A gG fuse

IP66 METAL CASING	IP65 PLASTIC CASING	IP65 METAL HEAD PLASTIC CASING	PLUNGER TYPE	MAX ACTUATION SPEED	ACTUATION / NC OPERATION
CE10.00.AM	CE10.00.AP	CE10.00.AI	Plain Plunger	0.5ms ⁻¹	15N/30N
CE10.00.BM	CE10.00.BP	CE10.00.BI	Roller Plunger	0.3ms ⁻¹	12N/30N
CE10.00.GM	CE10.00.GP	CE10.00.GI	Adjustable Rod Lever	1.5ms ⁻¹	0.10Nm/0.32Nm
CE10.00.HM	CE10.00.HP	CE10.00.HI	Adjustable Rod Lever	1.3ms ⁻¹	0.10Nm/0.32Nm
CE10.00.EM	CE10.00.EP	CE10.00.EI	Roller Lever Nylon	1.5ms ⁻¹	0.10Nm/0.32Nm
CE10.00.EM/50	CE10.00.EP/50	CE10.00.EI/50	Rubber Roller Lever	1.5ms ⁻¹	0.10Nm/0.32Nm
CE10.00.FM	CE10.00.FP	CE10.00.FI	Adjustable Roller Lever	1.5ms ⁻¹	0.10Nm/0.32Nm
CE10.00.FM/50	CE10.00.FP/50	CE10.00.FI/50	Adjustable Rubber Roller Lever	1.5ms ⁻¹	0.10Nm/0.32Nm
CE10.00.IM	CE10.00.IP	CE10.00.II	Nylon Roller Lever	1.5ms ⁻¹	0.10Nm/0.32Nm
CE10.00.FRM/50	CE10.00.FRP/50	CE10.00.FRI/50	Adjustable Lever Adjustable Roller	1.5ms ⁻¹	0.10Nm/-
CE10.00.HMTM	CE10.00.HLTP	CE10.00.HLTI	Nylon Actuator, Stainless Steel Spring	1.5ms ⁻¹	0.10Nm/0.32Nm
CE10.00.KM	CE10.00.KP	CE10.00.KI	Nylon One Way Roller, Steel Plunger	1.5ms ⁻¹	0.10Nm/0.32Nm
CE10.00.KMN	CE10.00.KPN	CE10.00.KIN	Nylon One Way Roller, Nylon Plunger	1.5ms ⁻¹	0.10Nm/0.32Nm



40mm wide limit switches

Product overview

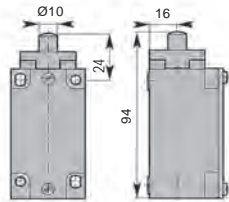
- 40mm width
- Double insulated plastic
- Plastic option to IP65
- Metal option to IP66
- Snap action contacts
-  approve



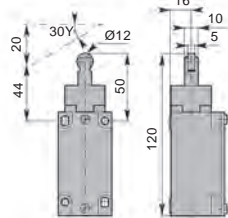
SPECIFICATION	
Rating	500V
Shock withstand	50g
Impulse withstand voltage	6kV
Working temperature	-25°C to +70°C
Switching frequency	3600 cycles/h
Load factor	0.5
Short circuit protection	10A gG fuse

IP66 METAL CASING	IP65 PLASTIC CASING	PLUNGER TYPE	MAX ACTUATION SPEED	ACTUATION / NC OPERATION
CE41.00.AM	CE41.00.AP	Plain plunger	0.5ms ⁻¹	30N/45N
CE41.00.BM	CE41.00.BP	Steel roller plunger	0.3ms ⁻¹	22N/40N
CE41.00.HM	CE41.00.HP	Adjustable rod lever	1.5ms ⁻¹	0.15Nm/0.30Nm
CE41.00.GM	CE41.00.GP	Adjustable rod lever	1.3ms ⁻¹	0.15Nm/0.30Nm
CE41.00.EM	CE41.00.EP	Roller lever nylon	1.5ms ⁻¹	0.15Nm/0.30Nm
CE41.00.EM/50	CE41.00.EP/50	Rubber roller lever	1.5ms ⁻¹	0.15Nm/0.30Nm
CE41.00.TM	CE41.00.TP	Pull action with ring	0.5ms ⁻¹	25N/-
CE41.00.FM	CE41.00.FP	Adjustable roller lever	1.5ms ⁻¹	0.15Nm/0.30Nm
CE41.00.FM/50	CE41.00.FP/50	Adjustable rubber roller lever	1.5ms ⁻¹	0.15Nm/0.30Nm
CE41.00.KM	CE41.00.KP	One way roller	1.5ms ⁻¹	12N/40N
CE41.00.LSM	CE41.00.LSP	Stainless steel spring	1.0ms ⁻¹	0.18Nm/-
CE41.00.LM	CE41.00.LP	Stainless steel spring multi-directional	1.0ms ⁻¹	0.18Nm/-

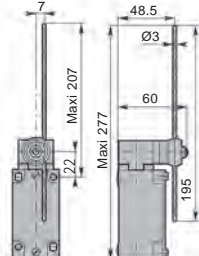
Plain plunger



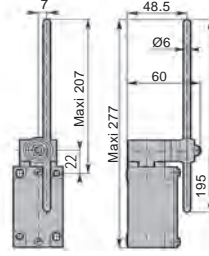
Steel roller plunger



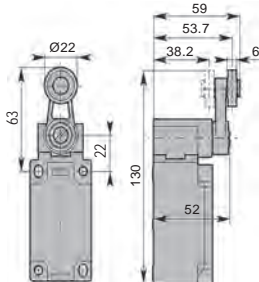
Adjustable rod lever



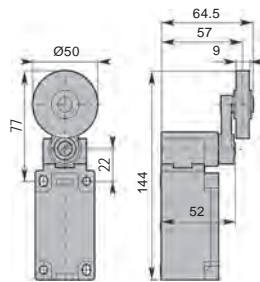
Adjustable rod lever



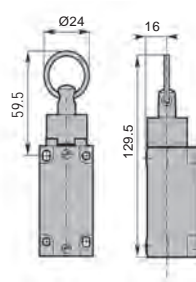
Roller lever nylon



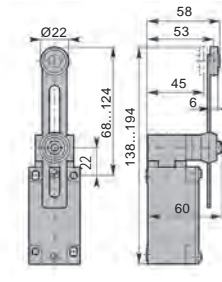
Rubber roller lever



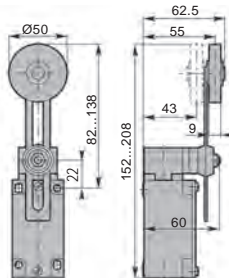
Pull action with ring



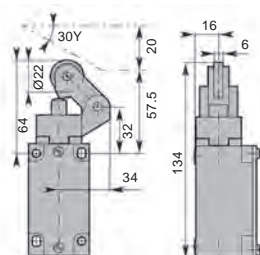
Adjustable roller lever



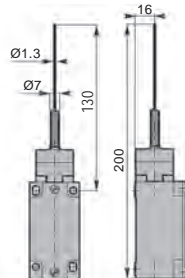
Adjustable rubber roller lever



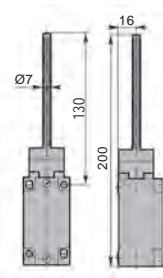
One way roller



Stainless steel spring



Stainless steel spring multi-directional



50mm wide IP65 limit switches

Product overview

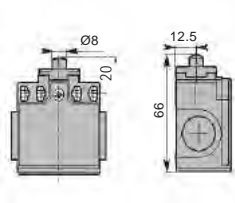
- 50mm width
- Double insulated plastic
- Rated to IP65
- Snap action contacts
- approved



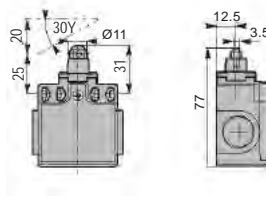
SPECIFICATION	
Rating	500V
Shock withstand	50g
Impulse withstand voltage	6kV
Working temperature	-25°C to +70°C
Switching frequency	3600 cycles/h
Load factor	0.5
Short circuit protection	10A gG fuse

IP65 PLASTIC CASING	PLUNGER TYPE	MAX ACTUATION SPEED	ACTUATION / NC OPERATION
CE20.00.AP	Steel plunger	0.5ms ⁻¹	15N/30N
CE20.00.BP	Steel roller plunger	0.3ms ⁻¹	12N/30N
CE20.00.FP	Adjustable nylon roller lever	1.5ms ⁻¹	0.10Nm/0.32Nm
CE20.00.HLTP	Nylon actuator with stainless steel spring	1.5ms ⁻¹	0.10Nm/-
CE20.00.TP	Pull action with ring	0.5ms ⁻¹	0.30Nm/-
CE20.00.EP	Nylon roller lever	1.5ms ⁻¹	0.10Nm/0.32Nm
CE20.00.HP	Adjustable stainless steel rod lever	1.5ms ⁻¹	0.15Nm/-/0.30Nm
CE20.00.IP	Nylon roller lever	1.5ms ⁻¹	0.10Nm/0.32Nm
CE20.00.FRP/50	Adjustable lever with adjustable rubber roller	1.5ms ⁻¹	0.10Nm/0.32Nm
CE20.00.CP	Plastic roller	1.0ms ⁻¹	7N/24N
CE20.00.DP	Plastic roller on metal plunger	1.0ms ⁻¹	7N/24N
CE20.00.EP/50	Rubber roller lever	1.5ms ⁻¹	0.10Nm/0.32Nm

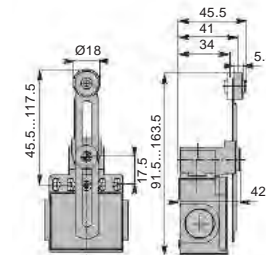
Steel plunger



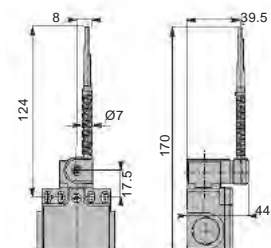
Steel roller plunger



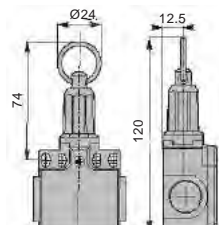
Adjustable nylon roller lever



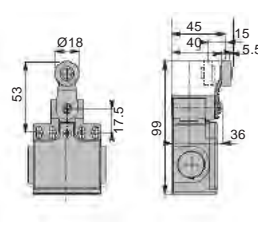
Nylon actuator with stainless steel spring



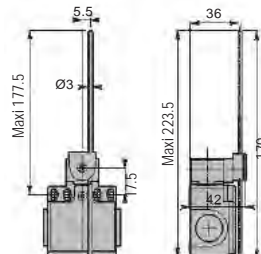
Pull action with ring



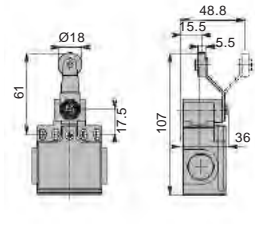
Nylon roller lever



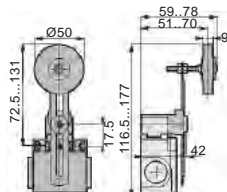
Adjustable stainless steel rod lever



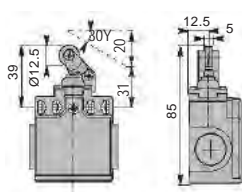
Nylon roller lever



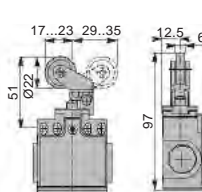
Adjustable lever with adjustable rubber roller



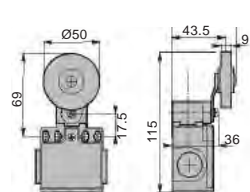
Plastic roller



Plastic roller on metal plunger




Rubber roller lever



50mm wide IP66 limit switches

Product overview

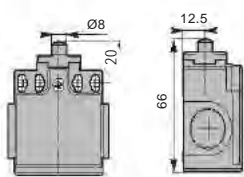
- 50mm width
- Metal casing
- Rated to IP66
- Snap action contacts
-  approved



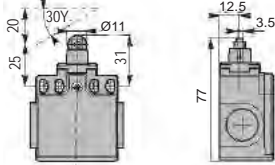
SPECIFICATION	
Rating	500V
Shock withstand	50g
Impulse withstand voltage	6kV
Working temperature	-25°C to +70°C
Switching frequency	3600 cycles/h
Load factor	0.5
Short circuit protection	10A gG fuse

IP66 METAL CASING	PLUNGER TYPE	MAX ACTUATION SPEED	ACTUATION / NC OPERATION
CE21.00.AM	Plain plunger	0.5ms ⁻¹	15N/30N
CE21.00.BM	Steel roller plunger	0.3ms ⁻¹	12N/30N
CE21.00.HM	Adjustable rod lever	1.5ms ⁻¹	0.10Nm/0.32Nm
CE21.00.GM	Adjustable rod lever	1.5ms ⁻¹	0.10Nm/0.32Nm
CE21.00.EM	Nylon roller lever	1.5ms ⁻¹	0.10Nm/0.32Nm
CE21.00.EM/50	Rubber roller lever	1.5ms ⁻¹	0.10Nm/0.32Nm
CE21.00.FM	Adjustable roller lever	1.5ms ⁻¹	0.10Nm/0.32Nm
CE21.00.FM/50	Adjustable rubber roller lever	1.5ms ⁻¹	0.10Nm/0.32Nm
CE21.00.HLTM	Nylon actuator with stainless steel spring	1.5ms ⁻¹	0.10Nm/-
CE21.00.FRM/50	Adjustable lever with adjustable rubber roller	1.0ms ⁻¹	0.10Nm/-
CE21.00.IM	Nylon roller lever	1.0ms ⁻¹	0.10Nm/0.32Nm

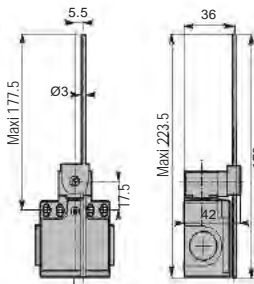
Plain plunger



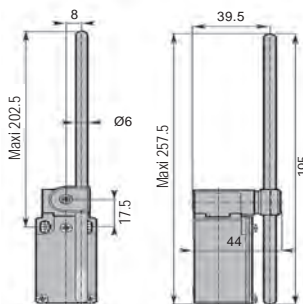
Steel roller plunger



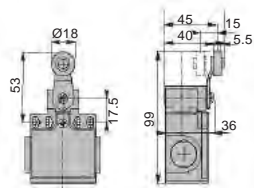
Adjustable rod lever



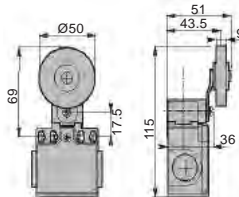
Adjustable rod lever



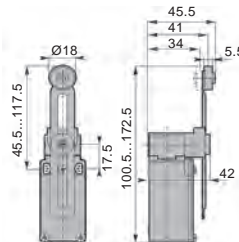
Nylon roller lever



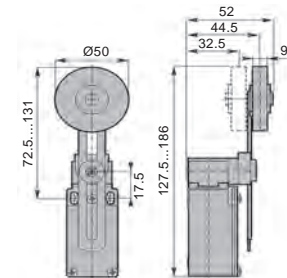
Rubber roller lever



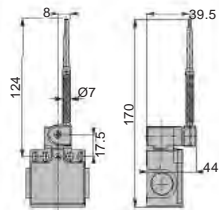
Adjustable roller lever



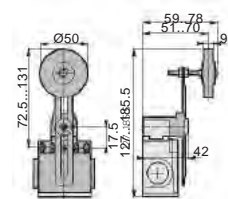
Adjustable rubber roller lever



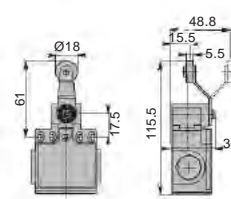
Nylon actuator with stainless steel spring



Adjustable lever with adjustable rubber roller




Nylon roller lever



60mm wide limit switches

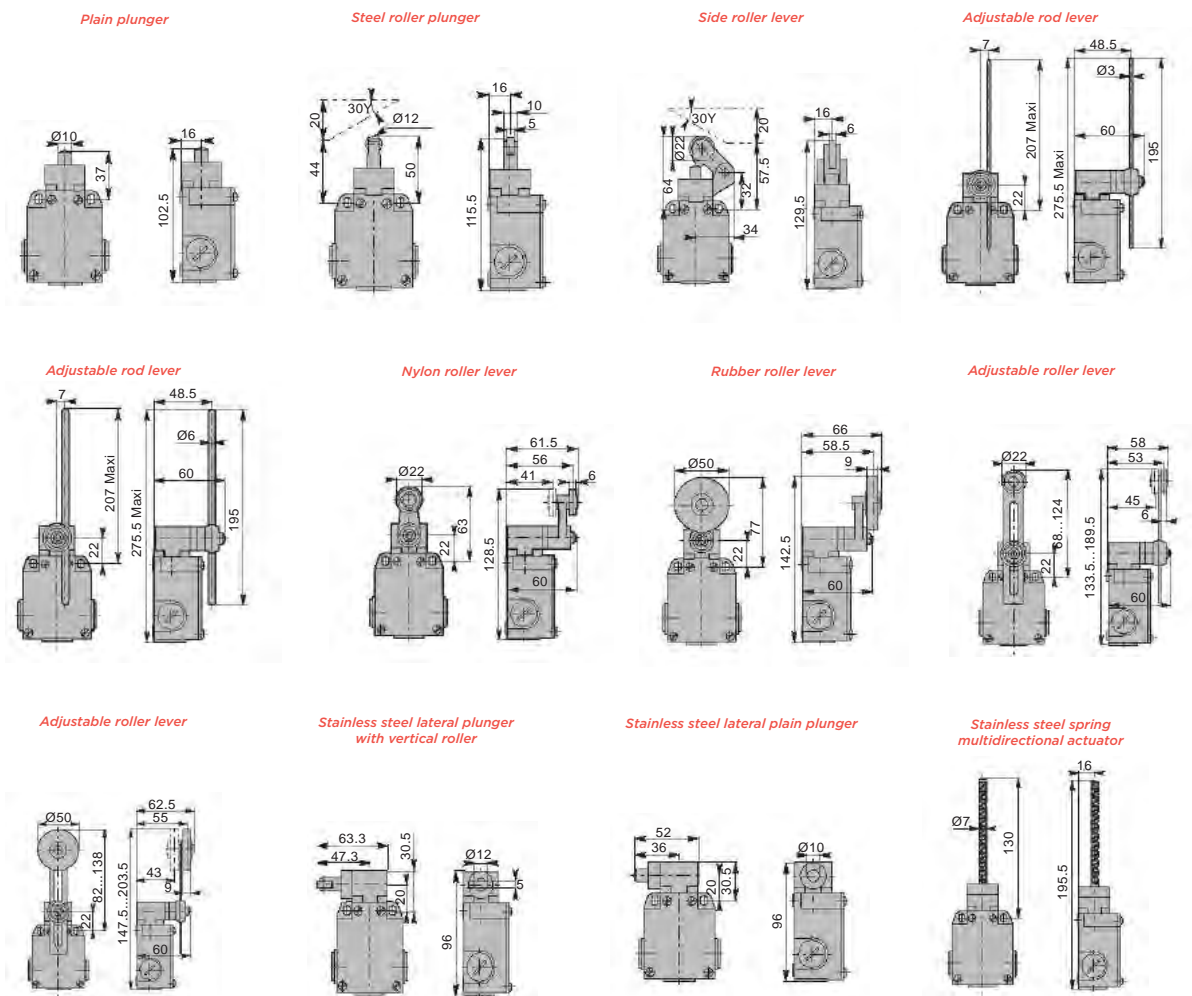
Product overview

- 60mm width
- Metal casing
- Rated to IP66
- Snap action contacts
-  approved




SPECIFICATION	
Rating	500V
Shock withstand	50g
Impulse withstand voltage	6kV
Working temperature	-25°C to +70°C
Switching frequency	3600 cycles/h
Load factor	0.5
Short circuit protection	10A gG fuse

IP66 METAL CASING	PLUNGER TYPE	MAX ACTUATION SPEED	ACTUATION / NC OPERATION
CE31.00.AM	Plain plunger	0.5ms ⁻¹	30N/45N
CE31.00.BM	Steel roller plunger	0.5ms ⁻¹	22N/40N
CE31.00.CM	Side roller lever	1.5ms ⁻¹	12N/30N
CE31.00.HM	Adjustable rod lever	1.5ms ⁻¹	0.15Nm/0.30Nm
CE31.00.GM	Adjustable rod lever	1.5ms ⁻¹	0.15Nm/0.30Nm
CE31.00.EM	Nylon roller lever	1.5ms ⁻¹	0.15Nm/0.30Nm
CE31.00.EM/50	Rubber roller lever	1.5ms ⁻¹	0.15Nm/0.30Nm
CE31.00.FM	Adjustable roller lever	1.5ms ⁻¹	0.15Nm/0.30Nm
CE31.00.FM/50	Adjustable roller lever	1.5ms ⁻¹	0.15Nm/0.32Nm
CE31.00.LBM/90	Stainless steel lateral plunger with vertical roller	1.5ms ⁻¹	30N/50N
CE31.00.LAM	Stainless steel lateral plain plunger	0.5ms ⁻¹	30N/50N
CE31.00.LM	Stainless steel spring multidirectional actuator	1.0ms ⁻¹	0.18N/-



30mm wide pre-wired limit switches

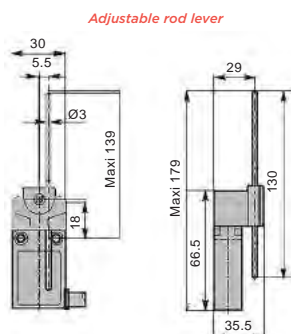
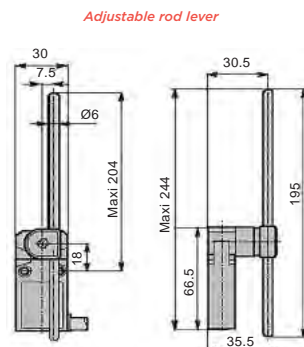
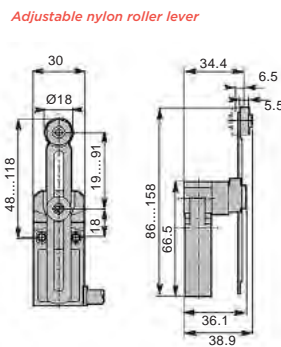
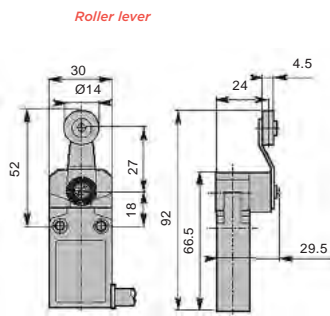
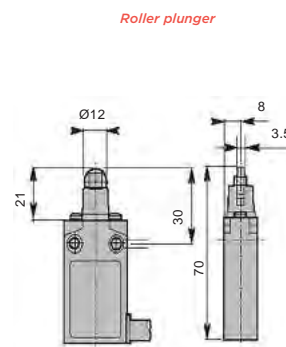
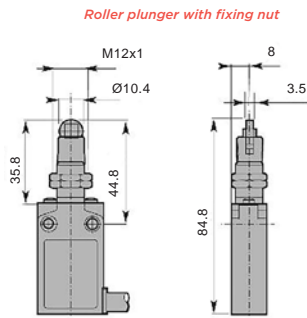
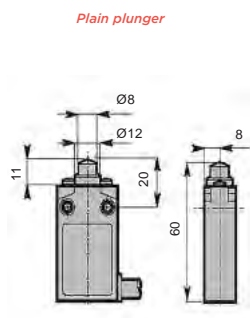
Product overview

- 30mm width
- Pre wired. 1M cable standard
- For 2M cable add suffix /2
- Metal casing
- Rated to IP67
- Snap action contacts
-  approved




SPECIFICATION	
Rating	400V
Cable	PVC 1m 4x0.75mm ²
Impulse withstand voltage	4kV
Working temperature	-25°C to +70°C
Switching frequency	3600 cycles/h
Load factor	0.5
Short circuit protection	6A gG fuse

IP67 METAL CASING	PLUNGER TYPE	MAX ACTUATION SPEED	ACTUATION / NC OPERATION
CE70.0.AM	Plain plunger	0.5ms ⁻¹	15N/30N
CE70.0.BLM	Roller plunger with fixing nut	0.1ms ⁻¹	10N/30N
CE70.0.BM	Roller plunger	0.1ms ⁻¹	10N/30N
CE70.0.EM	Roller lever	1.5ms ⁻¹	0.08Nm/0.28Nm
CE70.0.FM	Adjustable nylon roller lever	1.5ms ⁻¹	0.08Nm/0.28Nm
CE70.0.GM	Adjustable rod lever	1.5ms ⁻¹	0.08Nm/0.28Nm
CE70.0.HM	Adjustable rod lever	1.5ms ⁻¹	0.08Nm/0.28Nm



35mm wide pre-wired limit switches

Product overview

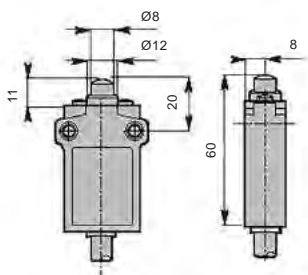
- 35mm width
- Pre wired. 1M cable standard
- For 2M cable add suffix /2
- Metal casing
- IP67
- Snap action contacts
-  approved



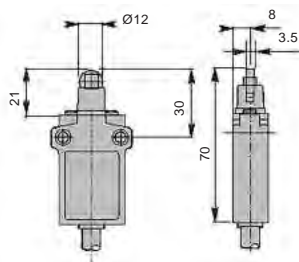
SPECIFICATION	
Rating	400V
Cable	PVC 1m 4x0.75mm ²
Impulse withstand voltage	4kV
Working temperature	-25°C to +70°C
Switching frequency	3600 cycles/h
Load factor	0.5
Short circuit protection	6A gG fuse

IP67 METAL CASING	PLUNGER TYPE	MAX ACTUATION SPEED	ACTUATION / NC OPERATION
CE60.00.AM	Plain plunger	0.5ms ⁻¹	15N/30N
CE60.00.BM	Roller plunger	0.1ms ⁻¹	10N/30N
CE60.00.EM	Roller lever	1.5ms ⁻¹	0.08Nm/0.28Nm
CE60.00.FM	Adjustable nylon roller lever	1.5ms ⁻¹	0.08Nm/0.28Nm
CE60.00.GM	Adjustable rod lever	1.5ms ⁻¹	0.08Nm/0.28Nm
CE60.00.HM	Adjustable rod lever	1.5ms ⁻¹	0.08Nm/0.28Nm

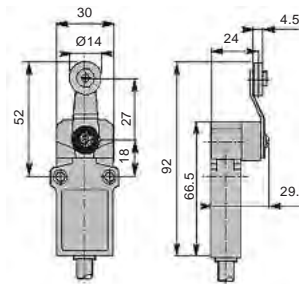
Plain plunger



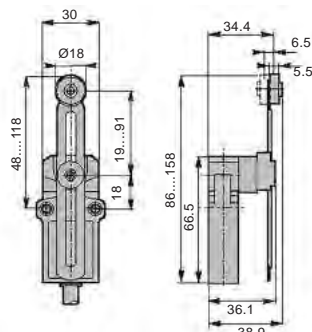
Roller plunger



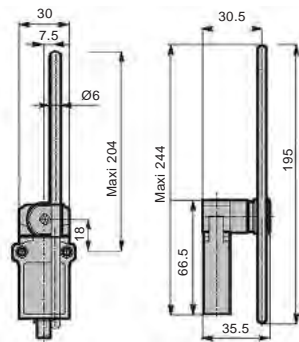
Roller lever



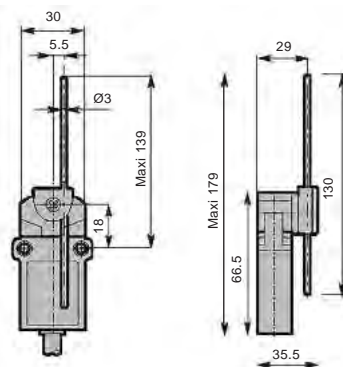
Adjustable nylon roller lever



Adjustable rod lever



Adjustable rod lever



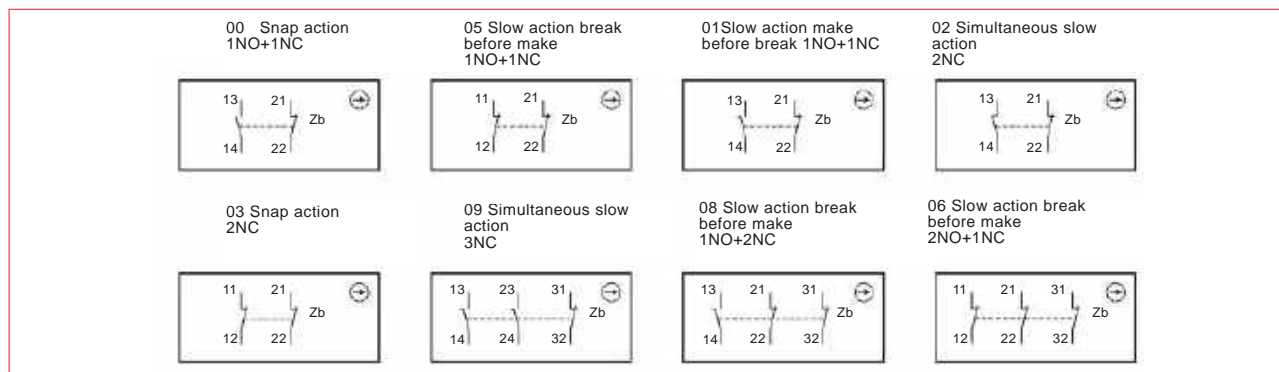
Safety limit switches

Product overview

- Visible operation
- Electromechanical limit safety switch
- High switch current
- Precise operating points
- Snap action, slow action, break and make before break, simultaneous action contact block options
- 1, 2 and 3 cable inlet options
- Polymeric IP65 and metal IP66 casing
- PG13.5 inlet as standard
- M20x1.5 inlet available to order



SPECIFICATION	
Rating	10A/24VAC, 1A/230VAC-3, 9A/380VAC-1 8A/24VDC-2, 0.27A/250VDC
Insulation voltage	CE10-M and CE21-M: 690V 400V
Impulse withstand voltage	6kV
Operating temperature	-25°C to +70°C
Short circuit protection	Fuse 10A type gG



30mm polymeric casing 1 cable inlet IP65

S5

PART NO.	CONTACT CONFIGURATION
CE10.00.S5P	00
CE10.01.S5P	01
CE10.02.S5P	02
CE10.03.S5P	03
CE10.05.S5P	05

SC

PART NO.	CONTACT CONFIGURATION
CE10.00.SCP	00
CE10.01.SCP	01
CE10.02.SCP	02
CE10.03.SCP	03
CE10.05.SCP	05

30mm metal casing 1 cable inlet IP66

S5

PART NO.	CONTACT CONFIGURATION
CE10.00.S5M	00
CE10.01.S5M	01
CE10.02.S5M	02
CE10.03.S5M	03
CE10.05.S5M	05

SC

PART NO.	CONTACT CONFIGURATION
CE10.00.SCM	00
CE10.01.SCM	01
CE10.02.SCM	02
CE10.03.SCM	03
CE10.05.SCM	05

Safety limit switches

40mm polymeric casing 1 cable inlet IP65

S5

PART NO.	CONTACT CONFIGURATION
CE41.00.S5P	00
CE41.01.S5P	01
CE41.02.S5P	02
CE41.03.S5P	03
CE41.05.S5P	05
CE41.06.S5P	06
CE41.08.S5P	08
CE41.09.S5P	09

40mm metal casing 1 cable inlet IP66

S5

PART NO.	CONTACT CONFIGURATION
CE41.00.S5M	00
CE41.01.S5M	01
CE41.02.S5M	02
CE41.03.S5M	03
CE41.05.S5M	05
CE41.06.S5M	06
CE41.08.S5M	08
CE41.09.S5M	09

T

PART NO.	CONTACT CONFIGURATION
CE41.00.TM	00
CE41.02.TM	02
CE41.05.TM	05
CE41.06.TM	06
CE41.08.TM	08
CE41.09.TM	09

50mm polymeric casing 3 cable inlet IP65

S5

PART NO.	CONTACT CONFIGURATION
CE20.00.S5P	00
CE20.01.S5P	01
CE20.02.S5P	02
CE20.05.S5P	05

SC

PART NO.	CONTACT CONFIGURATION
CE20.00.SCP	00
CE20.01.SCP	01
CE20.02.SCP	02
CE20.03.SCP	03
CE20.05.SCP	05

T

PART NO.	CONTACT CONFIGURATION
CE20.00.TB	00
CE20.01.TB	02
CE20.05.TB	05
CE20.08.TB	08
CE20.09.TB	09

50mm metal casing 3 cable inlet IP66

S5

PART NO.	CONTACT CONFIGURATION
CE21.00.S5M	00
CE21.01.S5M	01
CE21.02.S5M	02
CE21.03.S5M	03
CE21.05.S5M	05

SC

PART NO.	CONTACT CONFIGURATION
CE21.00.SCM	00
CE21.01.SCM	01
CE21.02.SCM	02
CE21.03.SCM	03
CE21.05.SCM	05

T

PART NO.	CONTACT CONFIGURATION
CE21.02.TM	02
CE21.05.TM	05

60mm metal casing 1 cable inlet IP66

S5

PART NO.	CONTACT CONFIGURATION
CE31.00.S5M	00
CE31.01.S5M	01
CE31.02.S5M	02
CE31.03.S5M	03
CE31.05.S5M	05
CE31.06.S5M	06
CE31.08.S5M	08
CE31.09.S5M	09

SC

PART NO.	CONTACT CONFIGURATION
CE31.00.SCM	00
CE31.02.SCM	02
CE31.05.SCM	05
CE31.06.SCM	06
CE31.08.SCM	08
CE31.09.SCM	09

PIEZO SWITCHES AND KEYPADS

IP68 sealed, tamper proof keypads and switches featuring piezoelectric technology.



Piezo switches - latching **204**



Piezo switches, plastic, RGB LED illuminated, 22mm **205**



Piezo switches, non-illuminated, 16mm **206**



Piezo switches, point illuminated **207**



Piezo exit switch **208**



3x4 stand alone piezo access control keypad **209**



Piezo keypad **210**

178
MICROSWITCHES

182
TACTILE SWITCHES

186
22MM CONTROL SWITCHES

191
FOOT SWITCHES

193
LIMIT SWITCHES

203
PIEZO SWITCHES AND KEYPADS

SWITCH

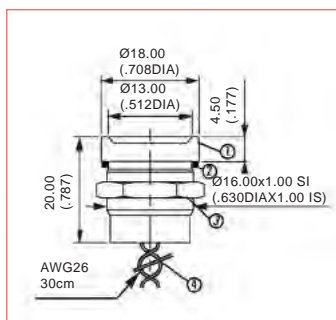
203

Piezo switches - latching

Product overview

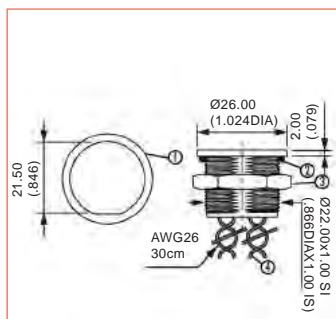
Latching piezo switches behave like mechanical switches with the advantages of exceptionally rugged construction.

- Normally open latching operation (requires a supply voltage)
- Choice of sizes and styles



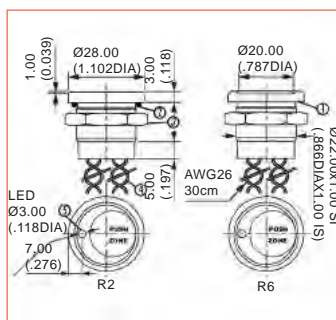
PART NO.	SIZE	COLOUR	STYLE
CPS16LNF-ALNA	16mm	Natural	Non-illuminated
CPS16LNF-ALGN	16mm	Green	Non-illuminated
CPS16LNF-ALRD	16mm	Red	Non-illuminated

SPECIFICATION	
Operating voltage	1-24V AC/DC
Switching current	30mA
Actuation force	6-15N
Operating temperature	-40°C to +70°C
Ingress protection	IP68
Lifetime	50 million operations
ON' resistance	<20Ω
OFF' resistance	>5mΩ



PART NO.	SIZE	COLOUR	STYLE	VOLTAGE	LEDS
CPS22LIF-PLWH-12RGB	22mm	Natural	illuminated	12V	RGB
CPS22LIF-PLWH-24RGB	22mm	Natural	illuminated	12V	RGB

SPECIFICATION	
Operating voltage	1-24V AC/DC
Switching current	30mA
Actuation force	6-15N
Operating temperature	-40°C to +70°C
LED operating voltage	12V DC max or 24V DC max
LED max current consumption	(12V) (24V)
Red	18mA 18mA
Green	9mA 9mA
Blue	27mA 16mA
Ingress protection	IP69
Lifetime	50 million operations
Material	POM



PART NO.	SIZE	COLOUR	STYLE	LEDS
CPS22LIF-ALNA-24RG	22.5mm	Natural	Point illuminated	Red/green
CPS22LIR-ALNA-24RG	22.5mm	Natural	Point illuminated	Red/green

SPECIFICATION	
Operating voltage	1-24V AC/DC
Switching current	30mA
Actuation force	6-15N
Operating temperature	-40°C to +70°C
Ingress protection	IP68
Lifetime	50 million operations
ON' resistance	<20Ω
OFF' resistance	>5mΩ



Piezo switches, plastic, RGB LED illuminated, 22mm

Product overview

Plastic piezo switches offering rugged, sealed tamper and vandal proof solid state switching.

- Exceptional durability and reliability
- Fitted with red, green and blue LEDs for full colour illumination
- 26mm diameter actuator
- 22.5mm diameter mounting hole
- Normally open, momentary action
- Make impulse time of 125-300 msec
- Recessed face
- Wire termination

CPS221F-PLWH-12RGB



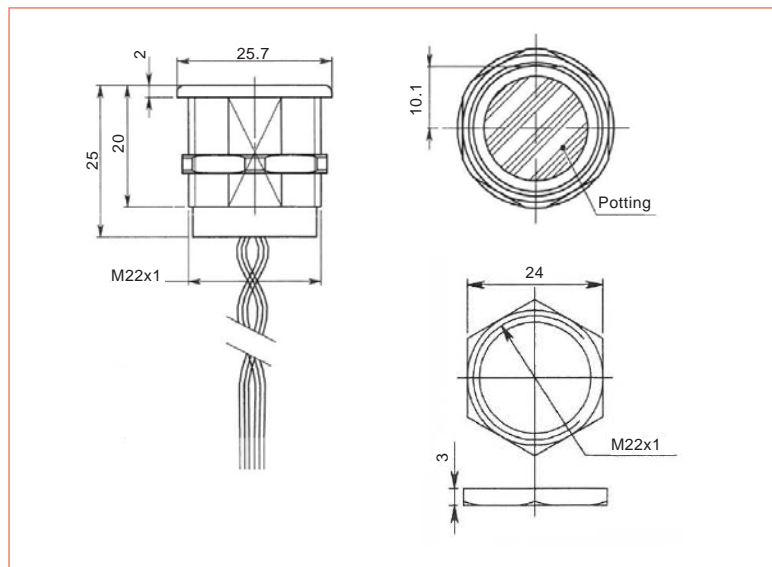
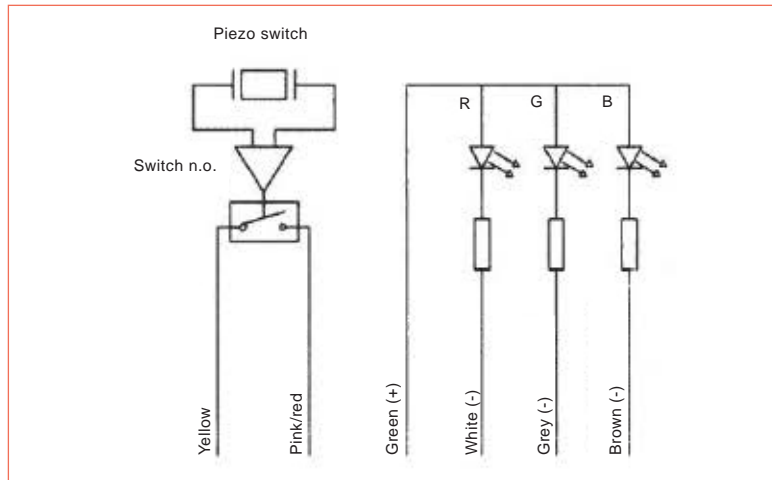
SPECIFICATION

Operating voltage:	1-24V AC/DC	
Switching current	0.2A max	
Actuation force	3-5N	
Operating temperature	20°C to +70°C	
LED operating voltage	12V DC max OR 24V DC max	
LED max current consumption:	(12V)	(24V)
Red	18mA	18mA
Green	9mA	9mA
Blue	26mA	16mA
Ingress protection	IP69	
Lifetime	50 million operations	
Material	POM	

PART NO.

TYPE

CPS221F-PLWH-12RGB	12V DC
CPS221F-PLWH-24RGB	24V DC



178
MICROSWITCHES

182
TACTILE SWITCHES

186
22MM CONTROL
SWITCHES

191
FOOT SWITCHES

193
LIMIT SWITCHES

203
PIEZO SWITCHES
AND KEYPADS

SWITCH

205

Piezo switches, non-illuminated, 16mm

Product overview

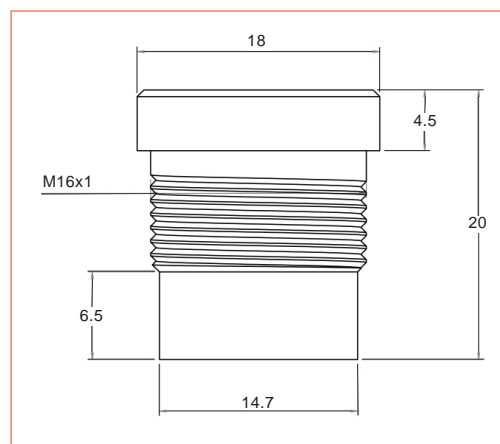
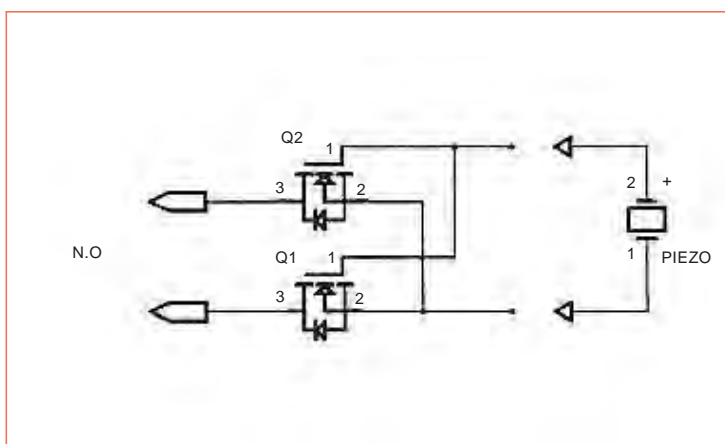
Aluminium piezo switches offering rugged, sealed tamper and vandal resistant solid state switching. Exceptional durability and reliability.

- 18mm diameter actuator
- 16mm diameter mounting hole
- Normally open, momentary action
- Make impulse time of 125-300 msec
- Flat faced
- Wire termination
- IP68 sealed
- Available in three colour finishes



SPECIFICATION	
Operating voltage	1-24V AC/DC
Switching current	0.2A max
Actuation force	3-5N
Operating temperature	40°C to +125°C
Ingress protection	IP68
Lifetime	50 million operations
'ON' resistance	<20Ω
'OFF' resistance	>5mΩ

PART NO.	TYPE
CPS16NF-ALNA	Natural
CPS16NF-ALRD	Red
CPS16NF-ALGN	Green



KEY FEATURES

16mm mounting diameter | NO momentary action | IP68 ingress protection



Piezo switches, point illuminated

Product overview

Aluminium piezo switches offering rugged, sealed tamper and vandal resistant solid state switching. Exceptional durability and reliability.

- Red/green spot illumination
- 28mm diameter actuator
- 22.5mm diameter mounting hole (PG16)
- Normally open, momentary action
- Make impulse time of 125-300 msec
- Choice of flat and recessed actuator
- Wire termination
- IP68 sealed

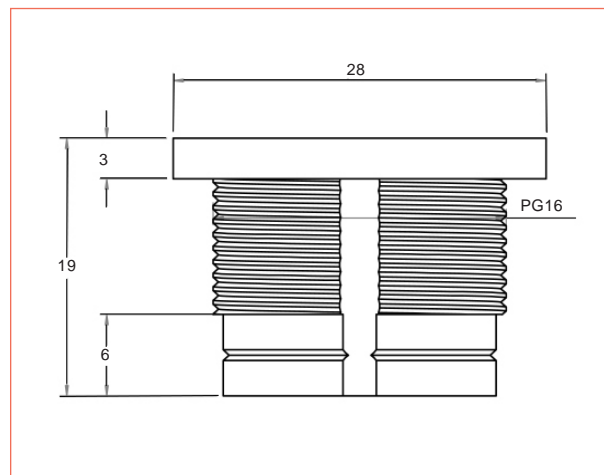
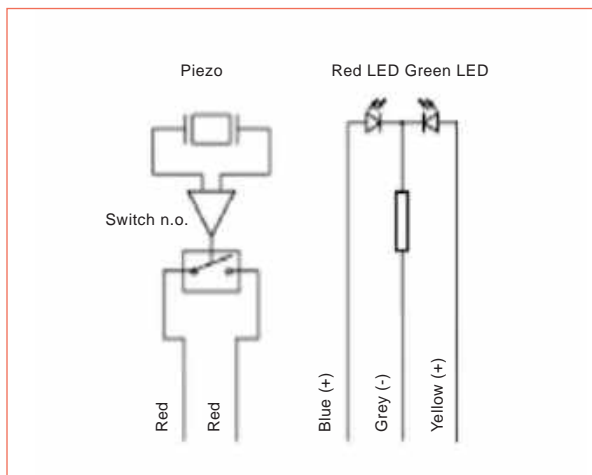
SPECIFICATION

Operating voltage	1-24V AC/DC
Switching current	0.2A max
Actuation force	3-5N
Operating temperature	20°C to +70°C
Ingress protection	IP68
Lifetime	50 million operations
'ON' resistance	<20Ω
'OFF' resistance	>5mΩ

PART NO.

TYPE

CPS22IF-ALNA-24RG	Flush
CPS21R-ALNA-24RG	Recessed



KEY FEATURES

22mm mounting diameter | Point illuminated | IP68 ingress protection

178
MICROSWITCHES

182
TACTILE SWITCHES

186
22MM CONTROL
SWITCHES

191
FOOT SWITCHES

193
LIMIT SWITCHES

203
PIEZO SWITCHES
AND KEYPADS

SWITCH

Piezo exit switch

Product overview

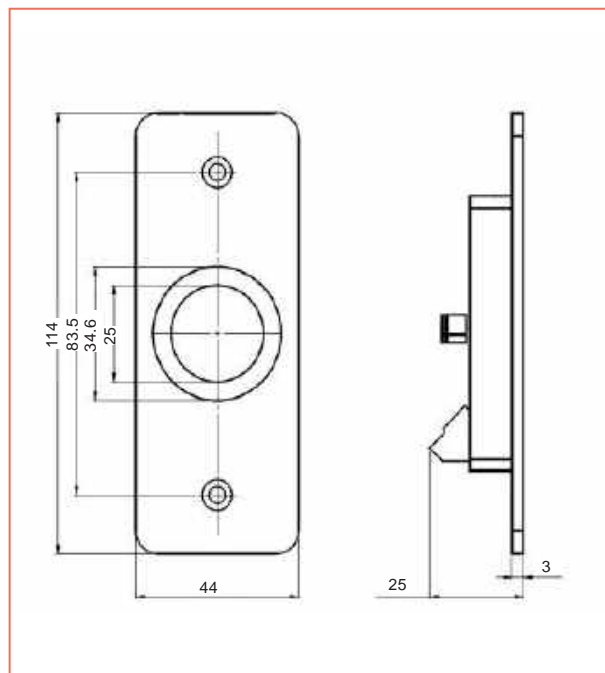
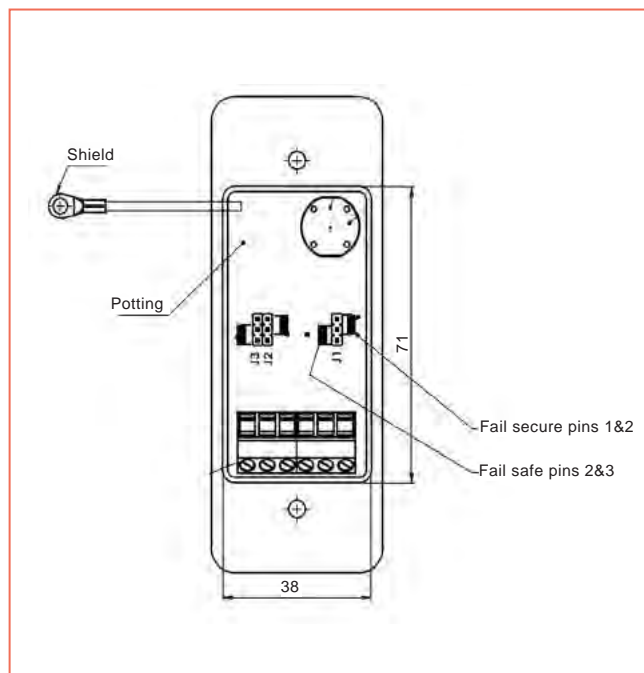
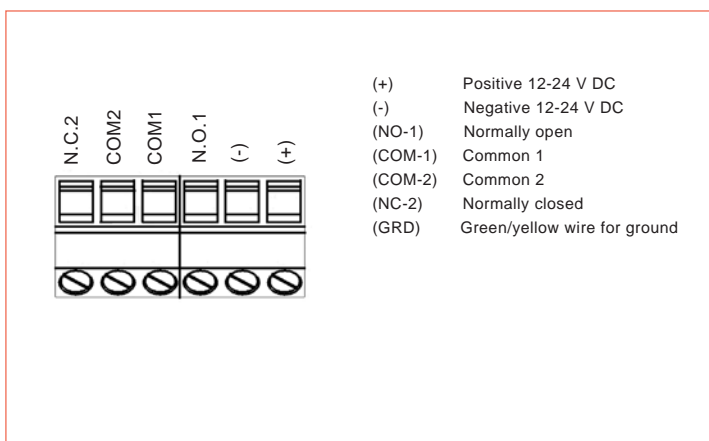
A vandal proof exit switch for users operating in harsh environment, high traffic areas

- Sealed in a rugged, weatherised stainless steel enclosure
- Vandal resistant, tamper resistant, weather and dust resistant to IP68
- Programmable 'door open' time, 'fail secure/fail safe' option selectable
- Green LED 'relay on' and red LED 'relay off' reversible
- 5 year guarantee



SPECIFICATION	
Input voltage	12-24VDC
Switching current	1.5A Max
Actuation force	3-5N
Make impulse time	1 to 60 seconds
Operating temperature	-20°C to 70°C
Storage temperature	-40°C to 85°C
Ingress protection	IP68
Electrical lifetime	15 million operations
Current consumption	40mA idle, 80mA active

PART NO.	TYPE
CPA-EXIT-SW	Exit switch



KEY FEATURES

Anti-vandal design | Multiple function | Reversible LED action

3x4 stand alone piezo access control keypad

Product overview

Single door, stand alone, self contained access control keypad using Piezo technology.

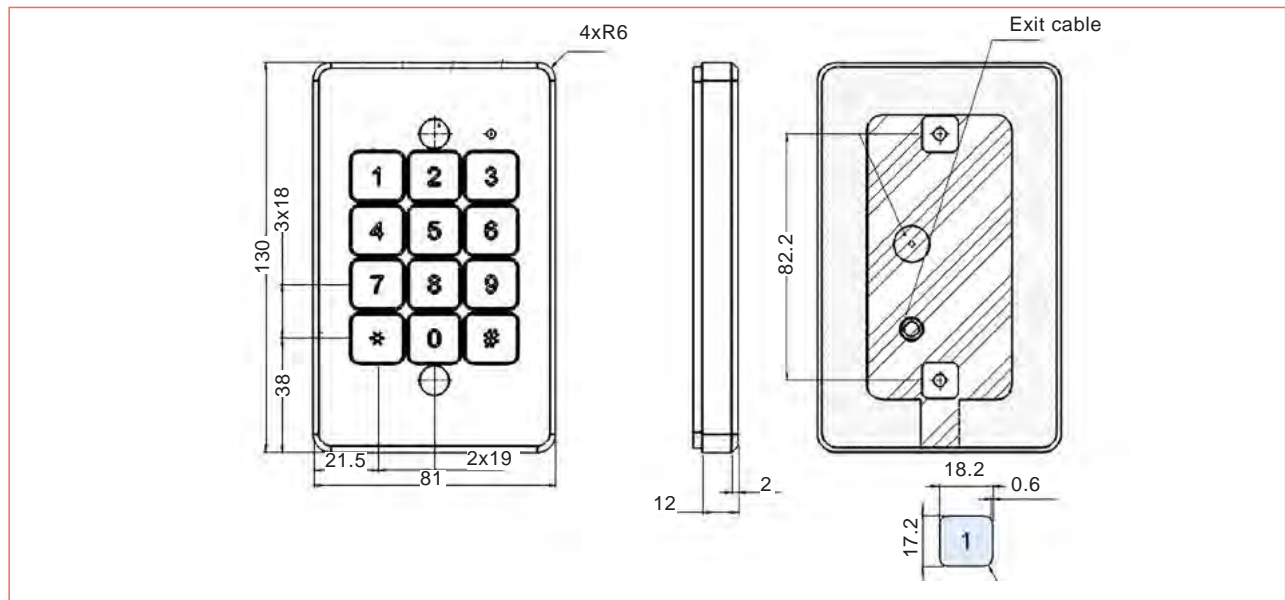
- Rugged, one piece construction
- Integrated control electronics for management of access codes and door settings
- Integrated LED's and buzzer provide visual and audible feedback
- Vandal, tamper and weather resistant
- Water resistant to IP68
- Up to 200 user codes- 100 million combinations, 4-8 digits



SPECIFICATION	
Material	Brushed aluminium
Power supply	8-24V AC/DC
Power consumption	max 150mA
Actuation force	3-5N
Dimensions	81mm x 130mm
Operating temperature	from -20°C to +75°C
Ingress protection	IP68

COLOUR	FUNCTION	DESCRIPTION
Brown	Power supply	8-24v DC/AC
Blue	Power supply	8-24v DC/AC
Green	Earth	Connected to housing
Grey	Relay common	Nominal switching capacity: 2A, 30VDC
Red	Default relay N.O	Nominal switching capacity: 2A, 30VDC
White and pink	Remote opening door	Dry contact only

PART NO.	TYPE
CPA-ST-ALN	Stand alone access control keypad



KEY FEATURES

Anti-vandal design | Endless combinations | Visual and audible feedback

Piezo keypad

Product overview

High reliability and durability, ideal for use in tough environments

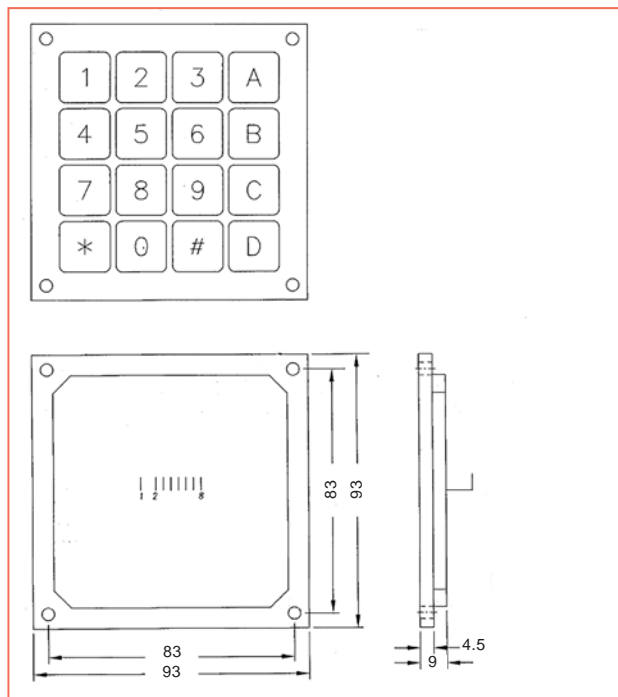
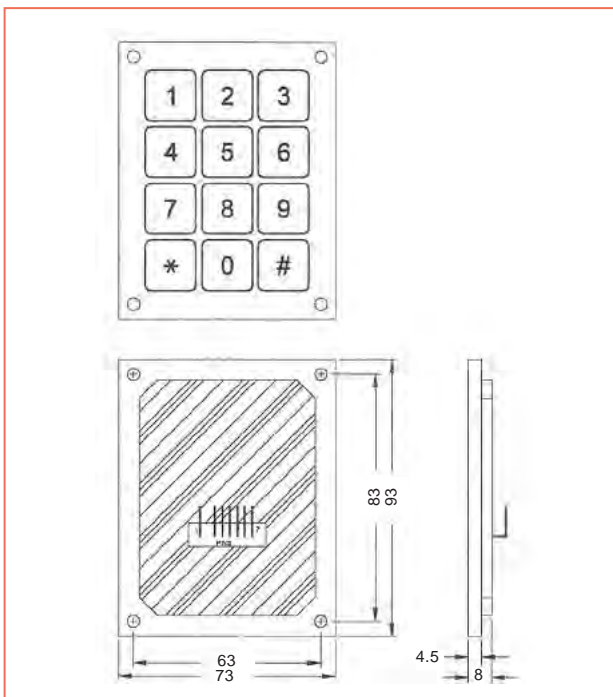
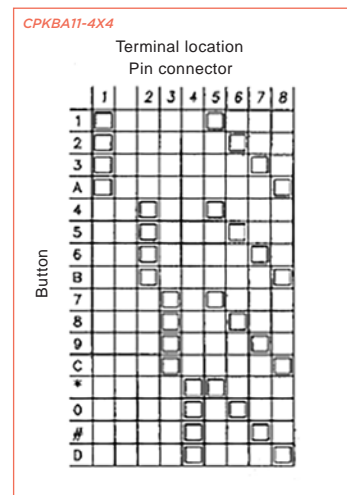
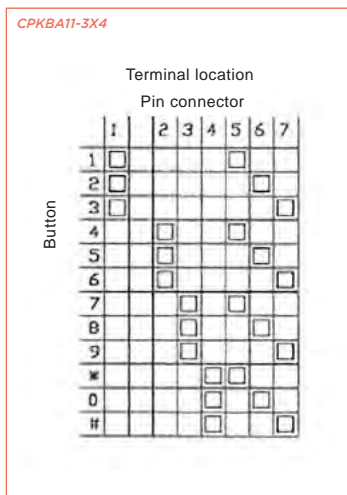
IP68 dust and water resistant, sea-water and detergent resistant

- No moving parts, maintenance free
- Made from one piece of solid aluminium, totally rugged
- Potted switching unit at rear seals against all contamination and prevents freezing



SPECIFICATION	
Operating voltage	1-24V DC
Switching current	0.2A max
Insulation resistance (off)	>5mΩ
Initial contact resistance (on)	<7.5Ω
Actuation force	3-5N
Operating temperature	from -40°C to +125°C
Ingress protection	IP68
Electrical lifetime	15 million operations

PART NO.	TYPE
CPKBA11-3X4	3x4 keys
CPKBFT1-4X4	4x4 keys



KEY FEATURES

Anti-vandal design | Endless combinations | Maintenance free



www.camdenboss.com

CAMDENBOSS

THE X-SERIES

CAMDENBOSS'
TOUGHEST
ELECTRICAL
ENCLOSURE

View the full range on
pages 320-329



CALL OUR
SALES TEAM ON
01638 716101



Protect

FUSED TERMINAL BLOCKS	214
FUSEHOLDERS	217
FUSES	226

214
FUSED TERMINAL
BLOCKS

217
FUSEHOLDERS

226
FUSES



33



237



222



215



245



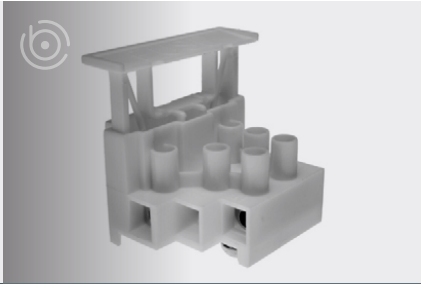
FUSED TERMINAL BLOCKS

Fused terminal blocks are used to connect mains wiring in almost any application.



5x20mm fused
terminal blocks

215



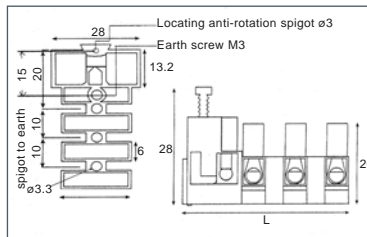
6.3x25mm fused
terminal blocks

216

5x20mm fused terminal blocks

Product overview

- GWIT to 775°C and GWIF 850°C
- 1 - 5 pole terminal strip with 5x20mm fuseholder
- Integral spare fuse carrier
- Interlocking fuseholder with CFTBN/1
- Anti rotation spigot
- IP20 finger protection
- Cable entry 4mm² (2.5mm² with wire protector)
- Wire protector on fuse terminal as standard
- Wire protectors on earth pole to order
- Meets creepage and clearance requirements of IEC (8mm)
-  approved on non earth versions



SPECIFICATION	
Rating	Fuseholder 250V AC Terminal 450V AC
Current rating	Fuseholder 13A Terminal 20A
Moulding	UL94-V0 flame retardant PA
Terminal	Brass, nickel plated
Fuse clip	Phosphor bronze
Wire protector	Stainless steel
Temperature	-20° to 120°C
Fuse size	5x20mm glass or ceramic
Screws	Steel zinc plated M3, 0.5Nm
EN60127	Fuseholders
EN60998	Terminal blocks

PART NO.	BODY DIMENSIONS (L)	FUSE WIRE PROTECTOR	EARTH HOLE	EARTH SCREW WASHERS	EARTH WIRE PROTECTED	WIRE PROTECTED TERMINALS
CFTBN/1	16.1 mm	•				
CFTBN/2	20.6 mm	•				
CFTBN/3	30.8 mm	•	•	•		
CFTBN/4	40.7 mm	•	•	•		
CFTBN/5	50.9 mm	•	•	•		
CFTBN/3NE	30.8 mm	•				
CFTBN/4NE	40.7 mm	•				
CFTBN/5NE	50.9 mm	•				
CFTBN/3NS	30.8 mm	•	•			
CFTBN/4NS	40.7 mm	•	•			
CFTBN/5NS	50.9 mm	•	•			
CFTBN/2WP	20.6 mm	•				•
CFTBN/3WP	30.8 mm	•				•
CFTBN/4WP	40.7 mm	•				•
CFTBN/5WP	50.9 mm	•				•
CFTBN/3EWP	30.8 mm	•	•	•		•
CFTBN/4EWP	40.7 mm	•	•	•		•
CFTBN/5EWP	50.9 mm	•	•	•		•
CFTBN/3EWPg	30.8 mm	•	•	•	•	•
CFTBN/4EWPg	40.7 mm	•	•	•	•	•
CFTBN/5EWPg	50.9 mm	•	•	•	•	•

ACCESSORIES

- Terminal cover
- Screw/dust protection
 - Easily cut to required size



PART NO.	POLES
CFTBN/3NC	3 pole cover
CFTBN/5NC	5 pole cover

ASSOCIATED PRODUCTS

CFB0520F	- Glass 5x20mm quick blow fuses	page 228
CFB0520T	- Glass 5x20mm time delay fuses	page 228
CFB0521CF	- Ceramic 5x20mm quick blow fuses	page 229
CFB0521CT	- Ceramic 5x20mm time delay fuses	page 229



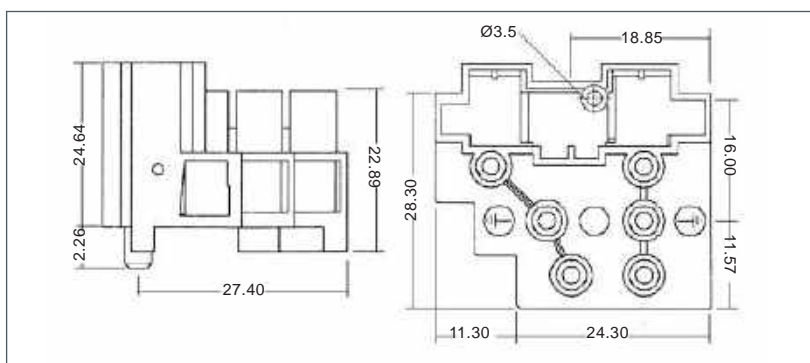
6.3x25mm fused terminal blocks

Product overview

- 2 or 3 pole terminal block
- Accepts 5x20mm and 6.3x25mm (1"x1/4") fuses
- Anti rotation spigot
- IP20 finger protection
- Cable entry 3x1.5mm² or 2x2.5mm²
- Meets creepage and clearance requirements of IEC (8mm)
- 16mm fixing pitch
- 2 pole supplied in 3 pole housing
- 3 pole supplied complete with earth screw and washer
- **CE** approved



SPECIFICATION	
Rating	Fuseholder 250V AC Terminal 450V AC
Current rating	Fuseholder 13A Terminal 20A
Moulding	UL94-V0 flame retardant PA
Terminal	Brass, nickel plated
Fuse clip	Phosphor bronze
Temperature	-20°C to 125°C
Fuse size	5x20mm glass or ceramic 6.3x25mm glass or ceramic
Screws	Steel zinc plated M3.6
Terminal marking	L=Live / N=Neutral / ↓=Earth



PART NO.	POLES
CMFTB/2	2
CMFTB/3	3

KEY FEATURES

2 and 3 pole use the same body | Accepts 5x20 and 6.3x25 fuses | Terminal marking

ASSOCIATED PRODUCTS

CFB0520F	- Glass 5x20mm quick blow fuses	page 228
CFB0520T	- Glass 5x20mm time delay fuses	page 228
CFB0521CF	- Ceramic 5x20mm quick blow fuses	page 229
CFB0521CT	- Ceramic 5x20mm time delay fuses	page 229
CFB06325FG	- Glass 6.3x25mm quick blow fuses	page 230
CFB06325TG	- Glass 6.3x25mm time delay fuses	page 230

FUSEHOLDERS

PCB, panel mount, chassis mount, and inline carriers for a variety of fuse sizes.

214
FUSED TERMINAL
BLOCKS

217
FUSEHOLDERS

226
FUSES

		
<p>5x20mm PCB fuse carriers 218</p>	<p>5x20mm compact horizontal and vertical PCB mounting fuseholders 218</p>	<p>5x20mm semi-enclosed PCB mounting 15mm pitch fuseholders 219</p>
		
<p>5x20mm semi-enclosed PCB mounting 22.6mm pitch fuseholders 219</p>	<p>5x20mm PCB fuse carriers SMD and THR 220</p>	<p>5x20mm low profile panel mounting fuseholders 221</p>
		
<p>5x20mm panel mounting fuseholders 222</p>	<p>5x20mm snap fit panel mounting fuseholders 222</p>	<p>5x20mm chassis mounting 15A fuseholder 223</p>
		
<p>6.3x32mm chassis mounting fuseholder 223</p>	<p>6.3x32mm chassis mounting fuseholder 224</p>	

PROTECT

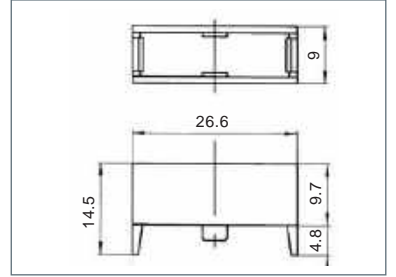
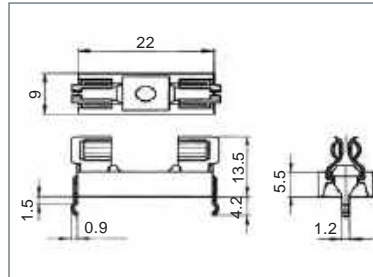
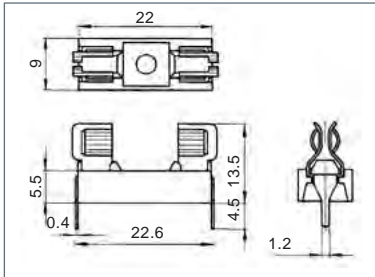
5x20mm PCB fuse carriers

Product overview

- PCB mounting
- Kinked pin for PCB retention CFH02/W
- Transparent insulation cover CFH02H
- UL94-V0 cover
- 22.6mm pitch
- EN60127 and UL512
- approved

PART NO.	TYPE
CFH02	Straight pin
CFH02/W	Kinked pin
CFH02H	Cover

SPECIFICATION	
Rating	6.3A/ 250V
Contacts/resistance	Tinned, nickel plated brass
Moulding	UL94-V1 self extinguishing PPOM
Dielectric strength	3kV / 60 sec
Temperature	-20° to 125°C
Operating power	1.6W
Recommended PCB hole size	1.3mm



5x20mm compact horizontal and vertical PCB mounting fuseholders

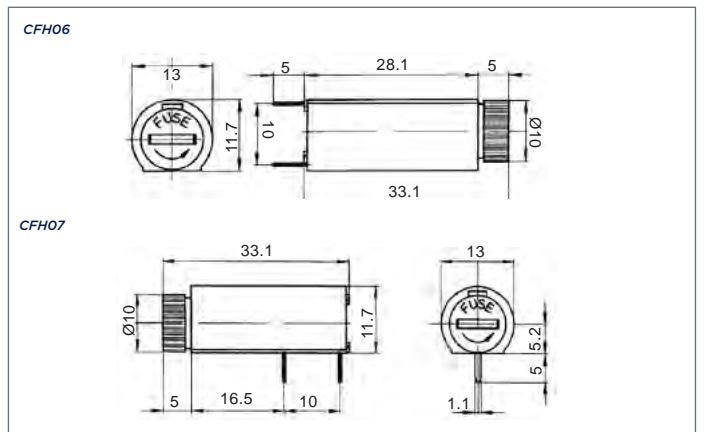
Product overview

- Finger or screwdriver release, bayonet carrier
- Horizontal or vertical mounting
- Compact footprint 10mm pitch
- Anti solder wicking
- EN60127 and UL512
- approved



SPECIFICATION	
Rating	10A/ 250V
Contacts/resistance	Tinned nickel plated brass, <5mΩ
Moulding	UL94-V0 flame retardant PBT
Dielectric strength	3kV / 60"
Power dissipation	2.5W
Recommended PCB hole size	1.5mm
Insulation resistance	100MΩ

PART NO.	TYPE
CFH06	Vertical mounting
CFH07	Horizontal mounting



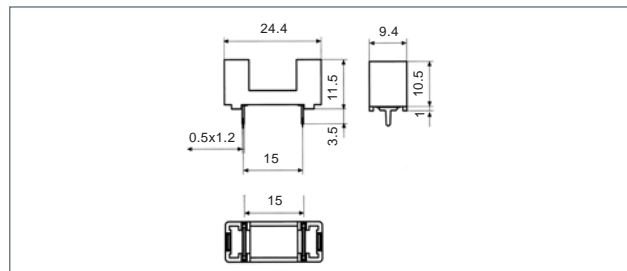
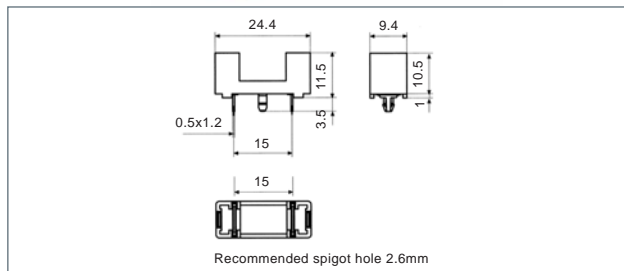
5x20mm semi-enclosed PCB mounting 15mm pitch fuseholders

Product overview

- PCB mounting
- Fuse retaining insulation cover
- Enclosed contacts
- 15mm pitch
- Moulded in green UL94-V0 flame retardant PA
- EN60127
- approved

PART NO.	TYPE
CFH17S	With spigot
CFH17	No spigot

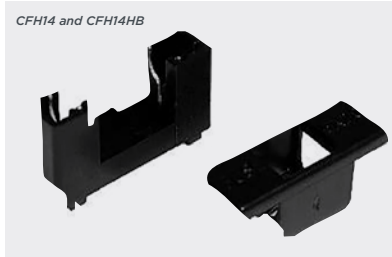
SPECIFICATION	
Rating	6.3A/ 250V
Contacts/resistance	Tinned, nickel plated Brass, <math><5m\Omega</math>
Moulding	UL94-V0 flame retardant PA
Dielectric strength	3kV / 60"
Power dissipation	1.6W
Recommended PCB hole size	1.5mm
Insulation resistance	100M Ω
Operating temperature	-30°C to +85°C



5x20mm semi-enclosed PCB mounting 22.6mm pitch fuseholders

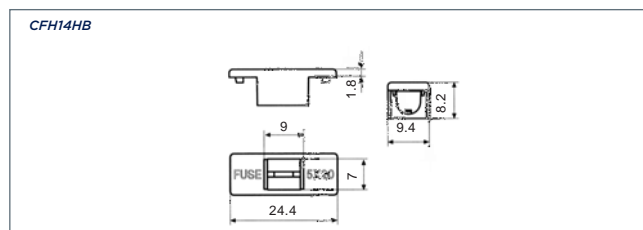
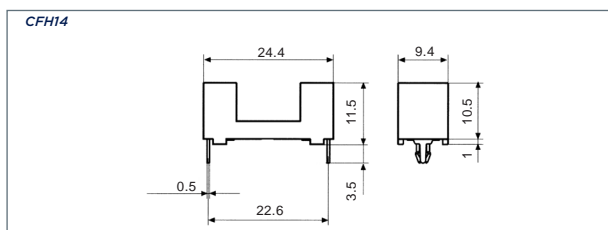
Product overview

- PCB mounting
- Fuse retaining insulation cover
- Enclosed contacts
- 22.6mm pitch
- Moulded in UL94-V0 flame retardant PA
- EN60127
- approved




SPECIFICATION	
Rating	6.3A/ 250V
Contacts/resistance	Tinned, nickel plated brass, <math><5m\Omega</math>
Moulding	UL94-V0 flame retardant PA
Dielectric strength	3kV / 60"
Power dissipation	1.6W
Recommended PCB hole size	1.5mm
Insulation resistance	100M Ω
Operating temperature	-30°C to +85°C

PART NO.	TYPE
CFH14	No spigot
CFH14HB	Cover (black)



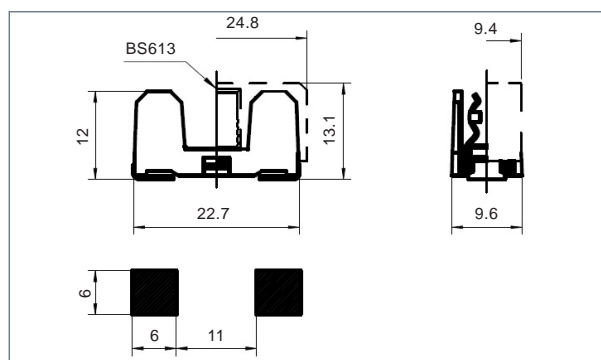
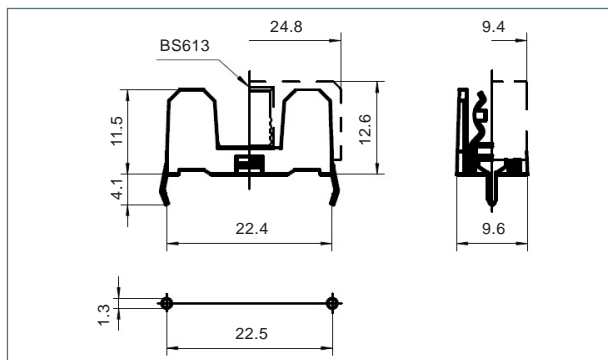
5x20mm PCB fuse carriers SMD and THR

Product overview

- PCB mounting
- Fuse retaining insulation cover
- Enclosed contacts
- 22.5mm pitch
- Moulded in black UL94-V0 flame retardant thermoplastic
- EN60127
- Suitable for through hole reflow (THR) process
-  approved

PART NO.	TYPE
CFH22SMD	Surface mount
CFH22THR	Through hole reflow
CFH22H	Fuse holder cover

SPECIFICATION	
Rating	10A/250VAC
Contacts/resistance	Tinned, nickel plated brass
Moulding	UL94-V0 thermoplastic
Temperature	-30°C to 85°C
Operating power	4W
Recommended PCB hole size	1.3mm (THR)



KEY FEATURES

Surface mount or through hole | Accepts 5x20 fuses | High temperature thermoplastic

ASSOCIATED PRODUCTS

CFB0520F	- Glass 5x20mm quick blow fuses	page 228
CFB0520T	- Glass 5x20mm time delay fuses	page 228
CFB0521CF	- Ceramic 5x20mm quick blow fuses	page 229
CFB0521CT	- Ceramic 5x20mm time delay fuses	page 229

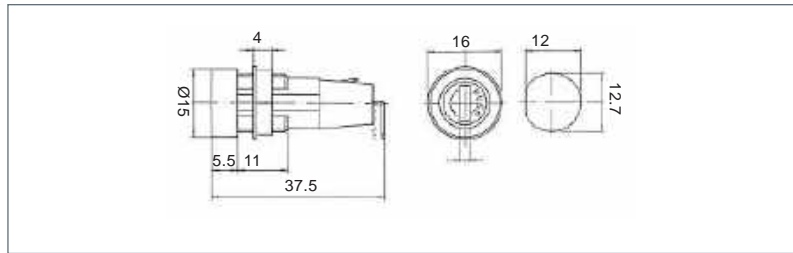
5x20mm low profile panel mounting fuseholders

Product overview

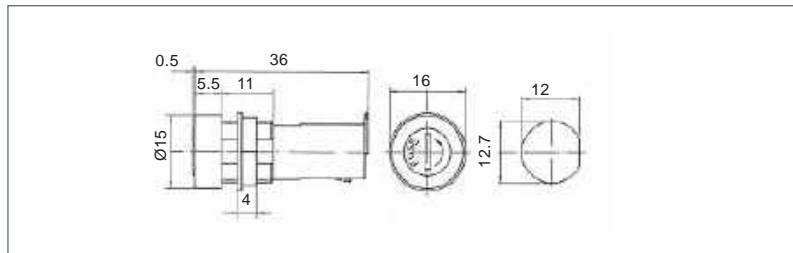
- Low profile panel mounting
- Moulded in UL94-V0 PBT
- Screw driver release
- Screw and bayonet carrier
- 2.8 and 4.8 quick connect terminals
- Anti-rotation D fixing
- EN60127
-  approved

PART NO.	CARRIER	TERMINAL	SPECIFICATION	
CFH04	Screw	Solder / 2.8mm quick connect	Rating	10A / 250V
CFH09	Bayonet	Solder / 2.8mm quick connect	Contacts/resistance	Tinned nickel plated brass, <math><5m\Omega</math>
CFH12	Bayonet	Solder / 4.8mm quick connect	Moulding	UL94-V0 flame retardant PBT
			Dielectric strength	3kV / 60"
			Power dissipation	2.5W
			Insulation resistance	>100M Ω
			Operating temperature	-30°C to +85°C

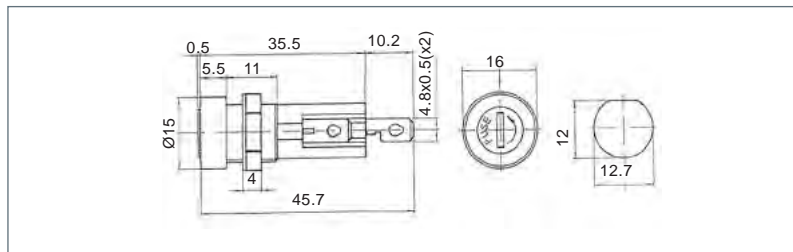
CFH04



CFH09



CFH12




KEY FEATURES

Quick connect tabs | Anti rotation body moulding | Screw or bayonet release options

5x20mm panel mounting fuseholders

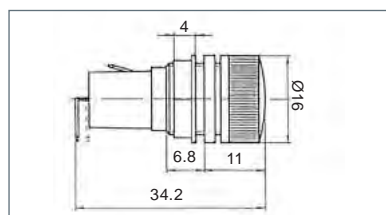
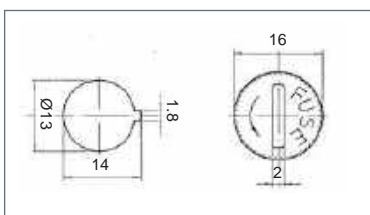
Product overview

- Finger/screwdriver release
- Anti-rotation key fixing
- Combined solder/2.8mm quick connect terminals
- Compact
- EN60127
-    approved



SPECIFICATION	
Rating	10A/250V
Contacts	Tinned nickel plated brass
Moulding	UL94-V0 flame retardant PC
Dielectric strength	>3kV
Insulation resistance	>101MΩ
Power dissipation	2.5W
Operating temperature	-30°C to +85°C

PART NO.	TYPE
CFH05	Panel mount fuseholder



KEY FEATURES

Finger or screw release | Anti rotation | Standard profile panel mount

5x20mm snap fit panel mounting fuseholders

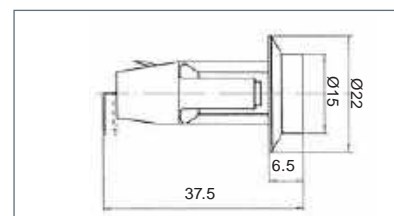
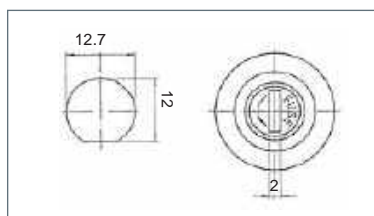
Product overview

- Snap-fit panel mounting
- Screwdriver release screw fuse carrier
- Combined solder/2.8mm quick connect terminals
- Anti-rotation D fixing
- EN60127
-    approved



SPECIFICATION	
Rating	6.3A/ 250V
Contacts	Tinned nickel plated brass
Moulding	UL94-V0 flame retardant PBT
Dielectric strength	3kV
Insulation resistance	>100MΩ
Power dissipation	2.5W
Operating temperature	-30°C to +85°C

PART NO.	CARRIER	RELEASE
CFH08	Screw	Screwdriver



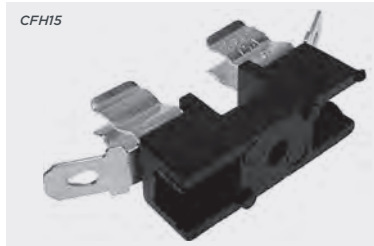
KEY FEATURES

Hybrid terminal | Anti rotation body moulding | quick release carrier

5x20mm chassis mounting 15A fuseholder

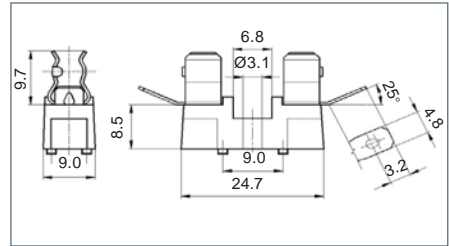
Product overview

- Centre hole fixing
- Anti-rotation spigots
- 5x20mm fuse
- High current rating
- Quick connect tabs
-  approved



SPECIFICATION	
Rating	15A/250V
Contacts	High tensile phosphor bronze, 500MΩ
Moulding	Flame retardant PB
Dielectric strength	AC2000V
Insulation resistance	500MΩ

PART NO.	TYPE
CFH15	Chassis mounting 15A fuseholder




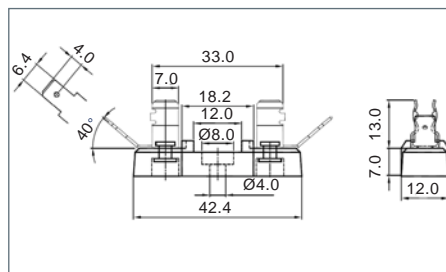
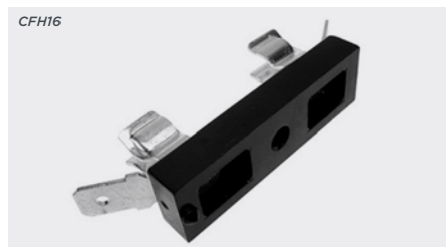
KEY FEATURES

Central fixing hole | 4.8mm Quick connect tab | 15A current rating

6.3x32mm chassis mounting fuseholder

Product overview

- Centre hole fixing
- 6.3x32mm fuse acceptance
- High current rating - 30A
- Quick connect tabs
-  approved



SPECIFICATION	
Rating	30A/ 300V
Contacts	Tinned nickel plated brass, 500MΩ
Moulding	UL94-V0 flame retardant phenolic thermosetting resin
Dielectric strength	AC2000V
Insulation resistance	500MΩ

PART NO.	TYPE
CFH16	Chassis mounting 30A fuseholder

KEY FEATURES

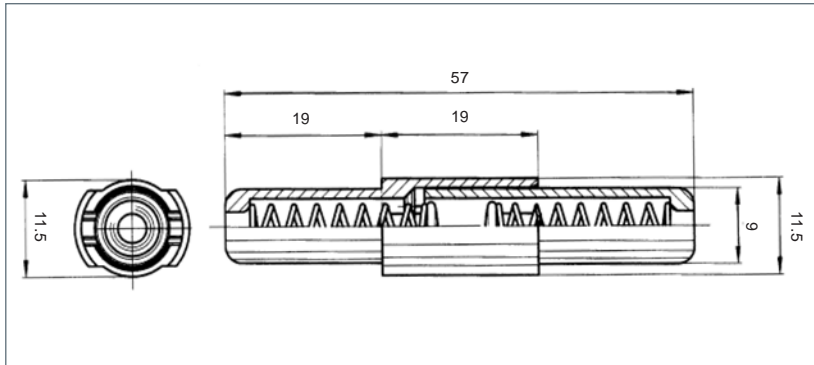
Central fixing hole | 6.4mm Quick connect tab | 30A current rating



Multi-size inline fuseholder

Product overview

- Inline type fuseholder
- Accepts 5x20mm, 6.3x32mm and 6.3x25mm fuses
- Allows customer choice of wire
- Bayonet type cover
- CE approved



SPECIFICATION	
Rating	6.3A/250V
Contacts	Tinned nickel plated brass
Moulding	UL94-HB PA6
Dielectric strength	1.5kV
Operating power	1.6W
Insulation resistance	>100MΩ
Operating temperature	-30°C to +85°C
PART NO.	FUSE SIZE
CFH10	6.3x25mm 6.3x32mm 5x20mm



KEY FEATURES

Internal solder cup | Multi-size bayonete type holder | Compact size

ASSOCIATED PRODUCTS

CFB0520F	- Glass 5x20mm quick blow fuses	page 228
CFB0520T	- Glass 5x20mm time delay fuses	page 228
CFB0521CF	- Ceramic 5x20mm quick blow fuses	page 229
CFB0521CT	- Ceramic 5x20mm time delay fuses	page 229
CFB06325FG	- Glass 6.3x25mm quick blow fuses	page 230
CFB06325TG	- Glass 6.3x25mm time delay fuses	page 230
CFB06332F	- Glass 6.3x32mm quick blow fuses	page 231
CFB06332T	- Glass 6.3x32mm time delay fuses	page 231
CFB06333CF	- Ceramic 6.3x32mm quick blow fuses	page 232
CFB06333CT	- Ceramic 6.3x32mm time delay fuses	page 232



CAMDENBOSS

MEDICAL DEVICE DESIGN AND MANUFACTURE

Using our Smartboxx process to develop your medical device enclosures offers design flexibility at every stage.

From proof of concept prototypes and compliance testing, through to volume manufacturing. Each stage offers you the ability to enhance your design without delaying your development process.

For further details on our Smartboxx process, see pages 438-443.



Our range of terminal blocks assure compliance to the rigorous standards set for medical device manufacture. UL listed and quality assured.

See pages 1-79 for our full range



The protection of medical electronics from heat, ingress protection and impact is a vital design consideration.

Our 88 series provides the solution, customisable to suit SBCs, power supplies and displays in robust aluminium enclosures.

See page 420



Associated products:

Circular connectors

pages 100-150

90 series IP67 handheld enclosures

page 288

2000 series general purpose ABS cases

page 297

Call our sales team on 01638 716101

FUSES

Quick blow and time delay fuses in glass or ceramic, in axial and radial body styles.

		
<p>5x20mm glass and ceramic fuses 228</p>	<p>6.3x25mm glass and British plug top fuses 230</p>	<p>6.3x32mm glass and ceramic fuses 231</p>
		
<p>10.3x38mm aR semiconductor power fuses 233</p>	<p>8.5x31.5mm aM motor circuit protection power fuses 234</p>	<p>8.5x31.5mm and 10.3x38mm gG general power fuses 234</p>
		
<p>10.3x38mm gPV solar photovoltaic power fuses 236</p>	<p>Miniblade fuses 16x12mm 237</p>	<p>Surface mount 0603 fuses 238</p>
		
<p>Surface mount 1206 fuses 240</p>	<p>Surface mount 2410 fuses 242</p>	<p>Surface mount N2 fuses 244</p>

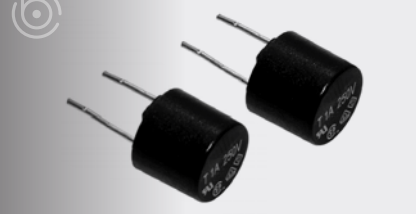
PROTECT



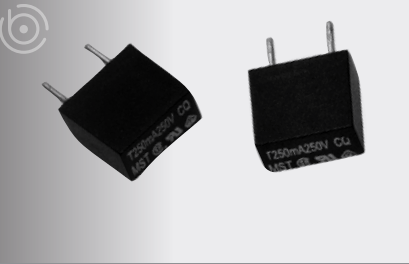
2.4x7mm micro miniature very fast acting axial fuses **245**



2.4x7mm micro miniature slow blow/time delay axial fuses **245**



Radial lead fuses (round) **247**

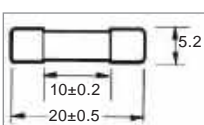


Radial lead fuses (square) **248**

5x20mm glass fuses

5x20mm glass, quick blow

PART NO.	RATING	PART NO.	RATING
CFB0520F/200	200mA	CFB0520F/3	3A
CFB0520F/250	250mA	CFB0520F/3.15	3.15A
CFB0520F/315	315mA	CFB0520F/4	4A
CFB0520F/400	400mA	CFB0520F/5	5A
CFB0520F/500	500mA	CFB0520F/6.3	6.3A
CFB0520F/630	630mA	CFB0520F/8	8A
CFB0520F/800	800mA	CFB0520F/10	10A
CFB0520F/1	1A	CFB0520F/12.5	12.5A
CFB0520F/1.25	1.25A	CFB0520F/15	15A
CFB0520F/1.6	1.6A	CFB0520F/16	16A
CFB0520F/2	2A	CFB0520F/20	20
CFB0520F/2.5	2.5A		



5x20mm glass, time delay

PART NO.	RATING	PART NO.	RATING
CFB0520T/100	100mA	CFB0520T/1.6	1.6A
CFB0520T/125	125mA	CFB0520T/2	2A
CFB0520T/160	160mA	CFB0520T/2.5	2.5A
CFB0520T/200	200mA	CFB0520T/3.15	3.15A
CFB0520T/250	250mA	CFB0520T/4	4A
CFB0520T/315	315mA	CFB0520T/5	5A
CFB0520T/400	400mA	CFB0520T/6.3	6.3A
CFB0520T/500	500mA	CFB0520T/8	8A
CFB0520T/630	630mA	CFB0520T/10	10A
CFB0520T/800	800mA	CFB0520T/12.5	12.5A
CFB0520T/1	1A		
CFB0520T/1.25	1.25A		

Product overview

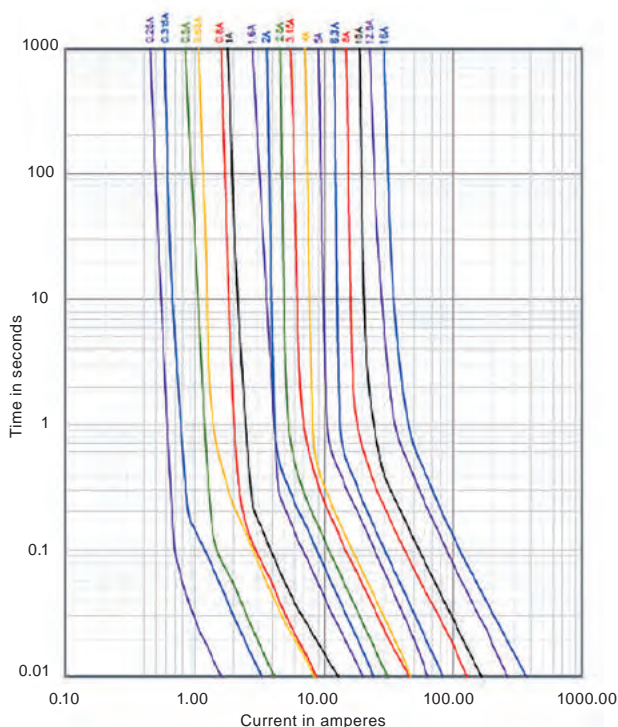
- Quick blow (F) IEC60127
- Excellent I²T characteristics
- Welded element for enhanced vibration tolerance
- Glass cartridge, nickel plated brass end caps
- Break capacity 100A/250VAC (250mA-16A)
- Operating temperature -55°C to +125°C
- RoHs, CE, UL, VDE, CCC approved (315mA-10A)

Product overview

- Time delay (F) IEC60127
- Excellent I²T characteristics
- Welded element for enhanced vibration tolerance
- Glass cartridge, nickel plated brass end caps
- Operating temperature -55°C to +125°C
- RoHs, CE, UL, VDE, CCC approved (500mA-10A)

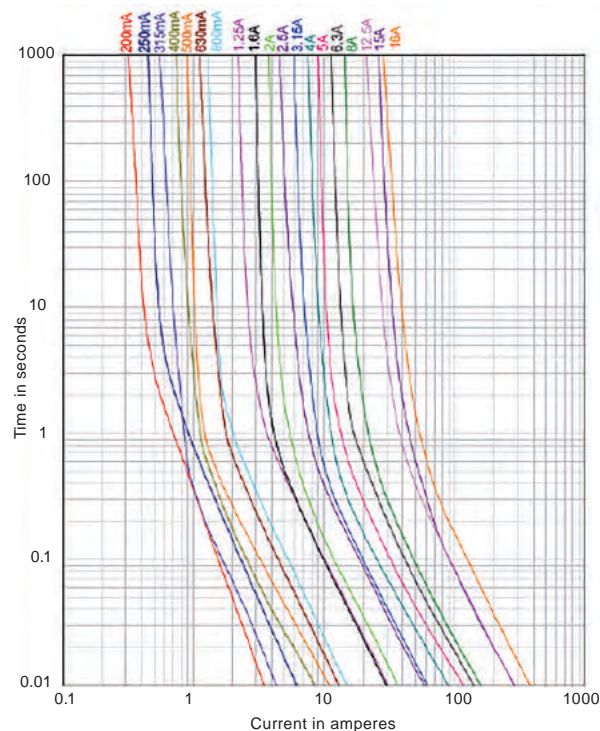
CFB0520F

Average time current (I-T curves)



CFB0520T

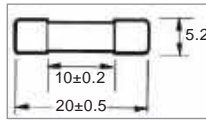
Average time current (I-T curves)








5x20mm ceramic fuses

5x20mm ceramic, quick blow

PART NO.	RATING	PART NO.	RATING
CFB0521CF/500	500mA	CFB0521CF/5	5A
CFB0521CF/630	630mA	CFB0521CF/6.3	6.3A
CFB0521CF/800	800mA	CFB0521CF/7.5	7.5A
CFB0521CF/1	1A	CFB0521CF/8	8A
CFB0521CF/1.25	1.25A	CFB0521CF/10	10A
CFB0521CF/1.6	1.6A	CFB0521CF/12.5	12.5A
CFB0521CF/2	2A		
CFB0521CF/2.5	2.5A		
CFB0521CF/3.15	3.15A		
CFB0521CF/4	4A		




Product overview

- Quick blow (F) IEC60127
- Excellent I²T characteristics
- Welded element for enhanced vibration tolerance
- Ceramic cartridge, nickel plated brass end caps
- Sand filled
- Operating temperature -55°C to +125°C
- RoHs, , , , ,  approved (500mA-10A)

5x20mm ceramic, time delay

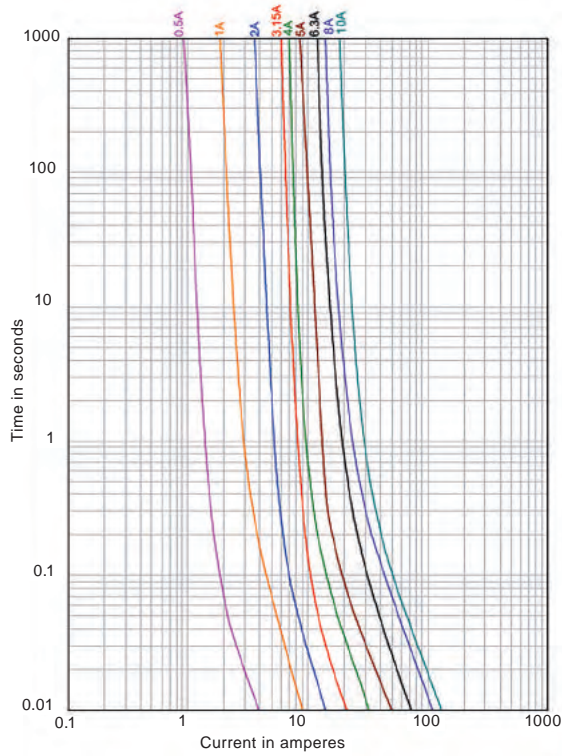
PART NO.	RATING	PART NO.	RATING
CFB0521CT/500	500mA	CFB0521CT/5	5A
CFB0521CT/630	630mA	CFB0521CT/6.3	6.3A
CFB0521CT/800	800mA	CF0521CT/7.5	7.5A
CFB0521CT/1	1A	CFB0521CT/8	8A
CFB0521CT/1.25	1.25A	CFB0521CT/10	10A
CFB0521CT/1.6	1.6A	CFB0521CT/12.5	12.5A
CFB0521CT/2	2A		
CFB0521CT/2.5	2.5A		
CFB0521CT/3.15	3.15A		
CFB0521CT/4	4A		

Product overview

- Time delay (F) IEC60127
- Excellent I²T characteristics
- Welded element for enhanced vibration tolerance
- Ceramic cartridge, nickel plated brass end caps
- Sand filled
- Operating temperature -55°C to +125°C
- RoHs, , , , ,  approved (200mA-12.5A)

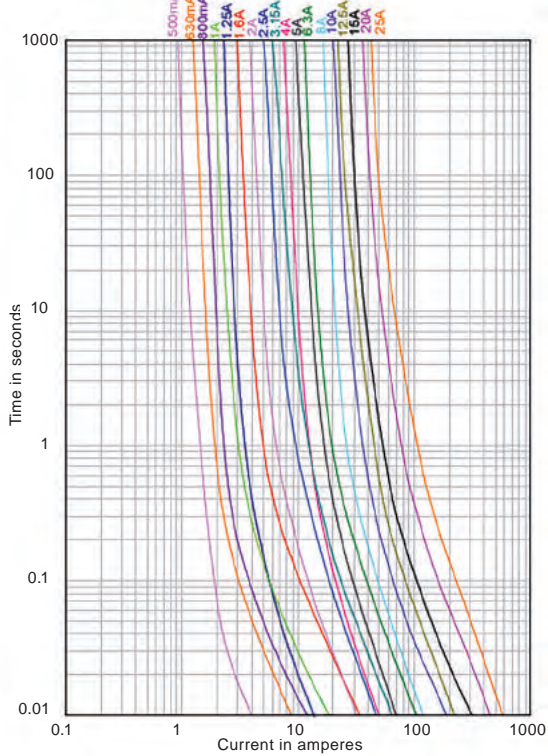
CFB0521CF

Average time current (I-T curves)



CFB0521CT

Average time current (I-T curves)



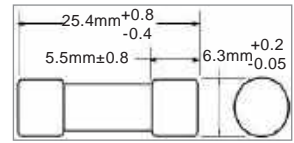
6.3x25mm glass and British plug top fuses

6.3x25mm glass, quick blow

PART NO.	RATING	PART NO.	RATING
CF06325FG/250	250mA	CF06325FG/3	3A
CF06325FG/500	500mA	CF06325FG/5	5A
CF06325FG/800	800mA	CF06325FG/7	7A
CF06325FG/1	1A	CF06325FG/10	10A
CF06325FG/2	2A	CF06325FG/13	13A

Product overview

- Quick blow (F)
- Glass cartridge, nickel plated brass end caps
- Break capacity
35A/250V (250mA-1A)
100A/250V (1-3A)
200A/250V (3-13A)
- Approved to IEC 127

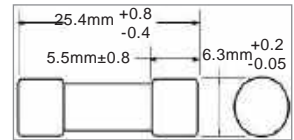


6.3x25mm glass, time delay

PART NO.	RATING	PART NO.	RATING
CF06325TG/250	250mA	CF06325TG/3	3A
CF06325TG/500	500mA	CF06325TG/5	5A
CF06325TG/800	800mA	CF06325TG/7	7A
CF06325TG/1	1A	CF06325TG/10	10A
CF06325TG/2	2A	CF06325TG/13	13A

Product overview

- Time delay (F) IEC60127
- Glass cartridge, nickel plated brass end caps
- Break capacity
35A/250V (250mA-1A)
100A/250V (1-3A)
200A/250V (3-13A)
- RoHs,
- Approved to IEC 127

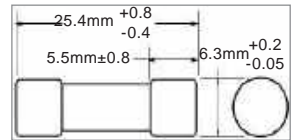


6.3x25mm British plug top

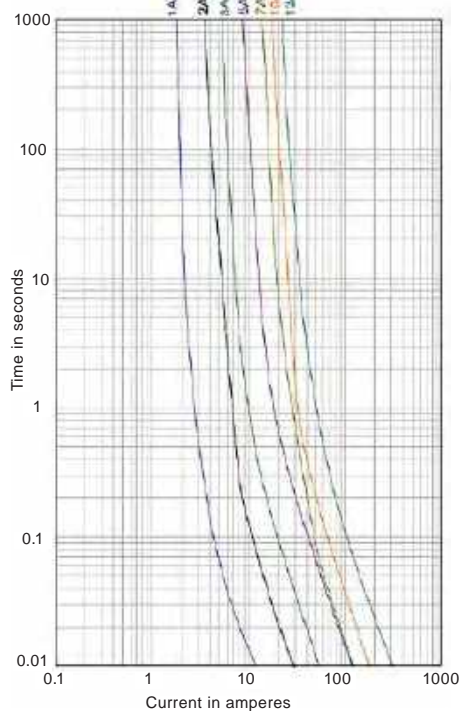
PART NO.	RATING
CFB1362/3A	3A
CFB1362/5A	5A
CFB1362/10A	10A
CFB1362/13A	13A

Product overview

- Power dissipation max 1 watt
- Ceramic tube, nickel - plated brass end caps
- Break capacity 6000A, 264VAC, 50Hz, p.f. 0.3 to 0.4
- BS1362



Average time current (I-T curves)

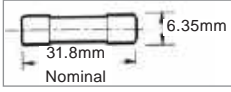


LIMITS FOR PRE-ARCING TIME			
	1.0In	1.6In	1.9In
In	Min	Min	Max
1A - 13A	1000 hrs	30 min	30min

6.3x32mm glass fuses

6.3x32mm glass, quick blow


PART NO.	RATING	PART NO.	RATING
CFB06332F/100	100mA	CFB06332F/3	3A
CFB06332F/125	125mA	CFB06332F/3.15	3.15A
CFB06332F/160	160mA	CFB06332F/4	4A
CFB06332F/200	200mA	CFB06332F/5	5A
CFB06332F/250	250mA	CFB06332F/6.3	6.3A
CFB06332F/500	500mA	CFB06332F/7	7A
CFB06332F/630	630mA	CFB06332F/7.5	7.5A
CFB06332F/750	750mA	CFB06332F/8	8A
CFB06332F/1	1A	CFB06332F/10	10A
CFB06332F/1.25	1.25A	CFB06332F/12	12A
CFB06332F/1.5	1.5A	CFB06332F/12.5	12.5A
CFB06332F/1.6	1.6A	CFB06332F/15	15A
CFB06332F/2	2A	CFB06332F/20	20A
CFB06332F/2.5	2.5A	CFB06332F/25	25A





6.3x32mm glass, time delay

PART NO.	RATING	PART NO.	RATING
CFB06332T/100	100mA	CFB06332T/2.5	2.5A
CFB06332T/125	125mA	CFB06332T/3	3A
CFB06332T/160	160mA	CFB06332T/3.15	3.15A
CFB06332T/200	200mA	CFB06332T/4	4A
CFB06332T/250	250mA	CFB06332T/5	5A
CFB06332T/500	500mA	CFB06332T/6	6A
CFB06332T/630	630mA	CFB06332T/6.3	6.3A
CFB06332T/750	750mA	CFB06332T/7	7A
CFB06332T/800	800mA	CFB06332T/7.5	7.5A
CFB06332T/1	1A	CFB06332T/8	8A
CFB06332T/1.25	1.25A	CFB06332T/10	10A
CFB06332T/1.5	1.5A	CFB06332T/12	12A
CFB06332T/1.6	1.6A	CFB06332T/12.5	12.5A
CFB06332T/2	2A	CFB06332T/15	15A

Product overview

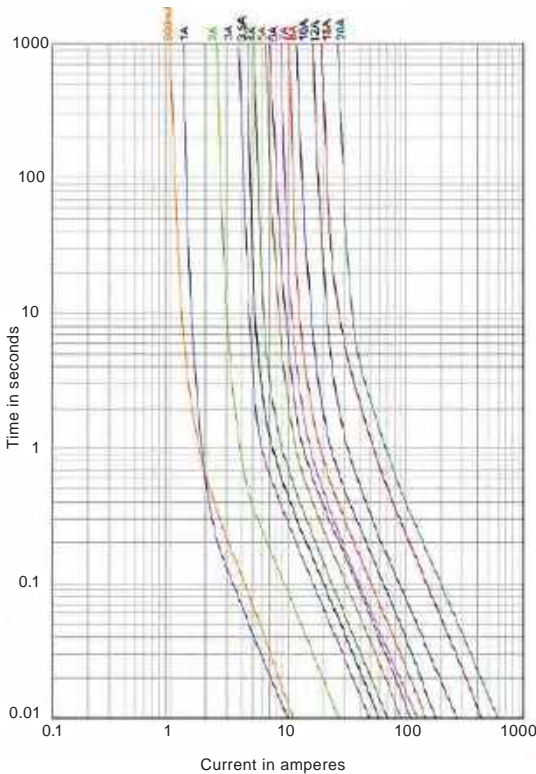
- Quick blow (F)
- Excellent I²T characteristics
- Welded element for enhanced vibration tolerance
- Glass cartridge, nickel plated brass end caps
- Break capacity
35A/250V (to 1A),
100A/250V (to 3.5A),
200A/250V (above 3.5A)
- Operating temperature -55°C to +125°C
-  approved (500mA-3A) (4A-10A) (12A-15A)

Product overview

- Time delay (T)
- Excellent I²T characteristics
- Welded element for enhanced vibration tolerance
- Glass cartridge, nickel plated brass end caps
- Break capacity
35A/250V (to 1A),
100A/250V (to 3.5A),
200A/250V (above 3.5A)
- Operating temperature -55°C to +125°C
-  ,  approved (500mA-1A) (1.5A-3A) (4A) (10A-15A)

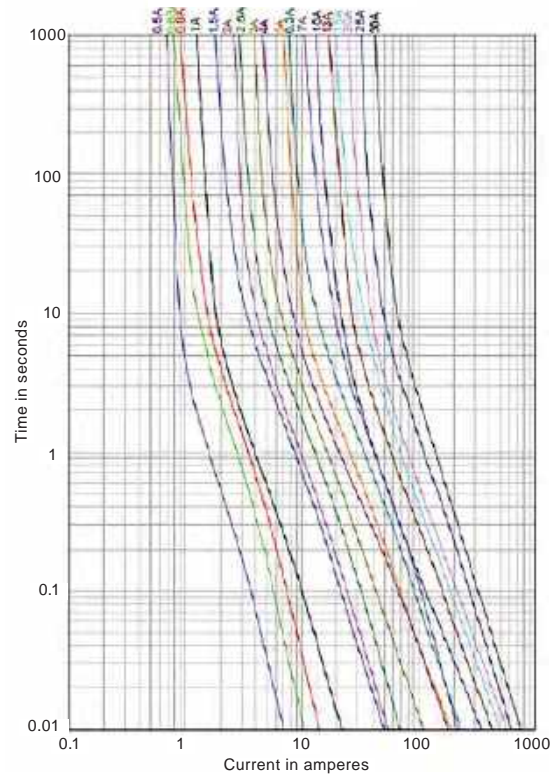
CFB06332F

Average time current (I-T curves)



CFB06332T

Average time current (I-T curves)

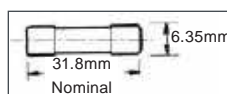


6.3x32mm ceramic fuses

6.3x32mm ceramic, quick blow

6.3x32mm ceramic, time delay

PART NO.	RATING	PART NO.	RATING
CFB06333CF/100	100mA	CFB06333CF/3	3A
CFB06333CF/125	125mA	CFB06333CF/3.15	3.15A
CFB06333CF/160	160mA	CFB06333CF/4	4A
CFB06333CF/200	200mA	CFB06333CF/5	5A
CFB06333CF/250	250mA	CFB06333CF/6.3	6.3A
CFB06333CF/500	500mA	CFB06333CF/7	7A
CFB06333CF/630	630mA	CFB06333CF/7.5	7.5A
CFB06333CF/750	750mA	CFB06333CF/8	8A
CFB06333CF/1	1A	CFB06333CF/10	10A
CFB06333CF/1.25	1.25A	CFB06333CF/12	12A
CFB06333CF/1.5	1.5A	CFB06333CF/12.5	12.5A
CFB06333CF/1.6	1.6A	CFB06333CF/15	15A
CFB06333CF/2	2A	CFB06333CF/20	20A
CFB06333CF/2.5	2.5A	CFB06333CF/25	25A



PART NO.	RATING	PART NO.	RATING
CFB06333CT/100	100mA	CFB06333CT/2.5	2.5A
CFB06333CT/125	125mA	CFB06333CT/3	3A
CFB06333CT/160	160mA	CFB06333CT/3.15	3.15A
CFB06333CT/200	200mA	CFB06333CT/4	4A
CFB06333CT/250	250mA	CFB06333CT/5	5A
CFB06333CT/500	500mA	CFB06333CT/6	6A
CFB06333CT/630	630mA	CFB06333CT/6.3	6.3A
CFB06333CT/750	750mA	CFB06333CT/7	7A
CFB06333CT/800	800mA	CFB06333CT/7.5	7.5A
CFB06333CT/1	1A	CFB06333CT/8	8A
CFB06333CT/1.25	1.25A	CFB06333CT/10	10A
CFB06333CT/1.5	1.5A	CFB06333CT/12	12A
CFB06333CT/1.6	1.6A	CFB06333CT/12.5	12.5A
CFB06333CT/2	2A	CFB06333CT/15	15A

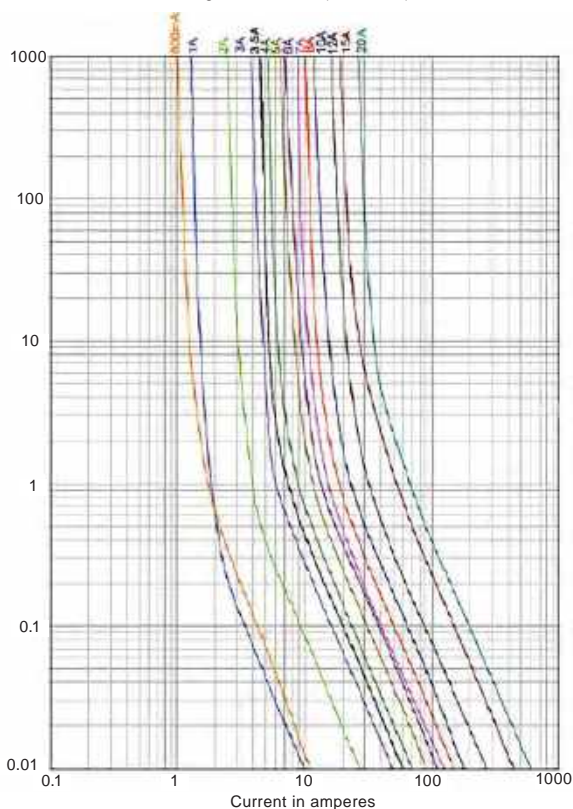
Product overview

- Quick blow (F)
- Excellent I²T characteristics
- Welded element for enhanced vibration tolerance
- Ceramic cartridge, nickel plated brass end caps
- Break capacity
35A/250V (to 800mA),
100A/250V (to 3.5A),
200A/250V (above 3.5A)
- Operating temperature -55°C to +125°C
- approved (500mA-3A) (4A-30A)

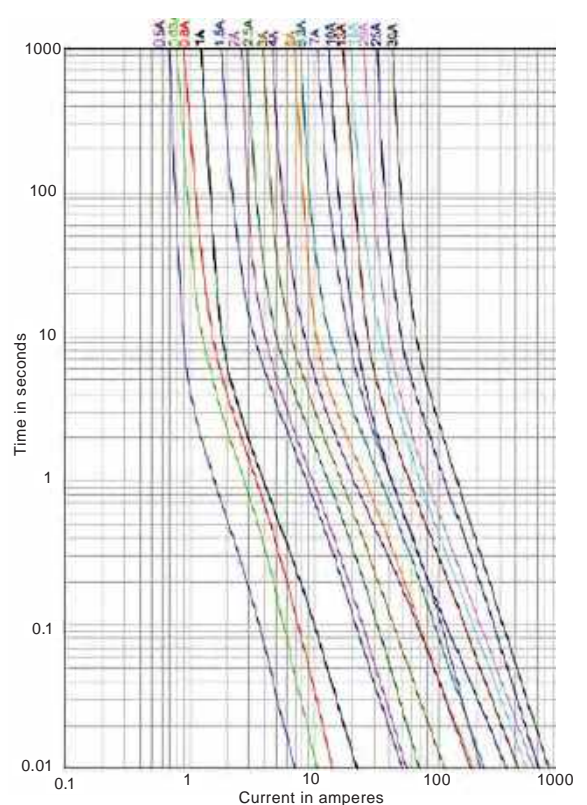
Product overview

- Time delay (T)
- Excellent I²T characteristics
- Welded element for enhanced vibration tolerance
- Ceramic cartridge, nickel plated brass end caps
- Break capacity
35A/250V (to 1A),
100A/250V (to 3.5A),
200A/250V (above 3.5A)
- Operating temperature -55°C +125°C
- approved (500mA-3A) (4A-25A)

CFB06333CF
Average time current (I-T curves)





CFB06333CT
Average time current (I-T curves)



10.3x38mm aR semiconductor power fuses

Product overview

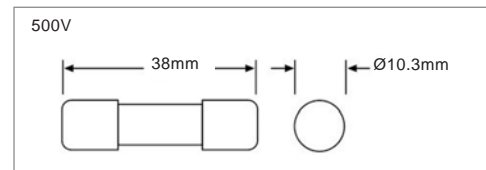
- Fast aR type for semiconductor protection
- Current limiting, super fast blow
- To IEC 60269-4
- CF10aR 500V standard rating, 690V and 1000V available
-  approved 250mA-32A all voltages
-  250mA-32A 500V



SPECIFICATION			
Rating	CF10aR	500V	250mA - 15A
Breaking capacity	CF08aR	120ka	
Blow time @ IN	250mA - 5A 6A - 32A	min 4 hours	
Blow time @ 4xIN		3ms - 1s 10ms - 10s	
Blow time @ 10xIN	250mA - 5A 6A - 32A	max 20ms max 30ms	

10.3x38mm, 500V

PART NO.	RATING
CF1050aR/250	250mA
CF1050aR/315	315mA
CF1050aR/400	400mA
CF1050aR/500	500mA
CF1050aR/630	630mA
CF1050aR/800	800mA
CF1050aR/1	1A
CF1050aR/1.25	1.25A
CF1050aR/1.6	1.6A
CF1050aR/2	2A
CF1050aR/2.5	2.5A
CF1050aR/3	3A
CF1050aR/3.15	3.15A
CF1050aR/4	4A
CF1050aR/5	5A
CF1050aR/6	6A
CF1050aR/6.3	6.3A
CF1050aR/7	7A
CF1050aR/8	8A
CF1050aR/9	9A
CF1050aR/10	10A
CF1050aR/12	12A
CF1050aR/12.5	12.5A
CF1050aR/15	15A
CF1050aR/16	16A
CF1050aR/20	20A
CF1050aR/30	30A



KEY FEATURES

Current limiting | Super fast blow | Semiconductor protection

8.5x31.5mm aM motor circuit protection power fuses

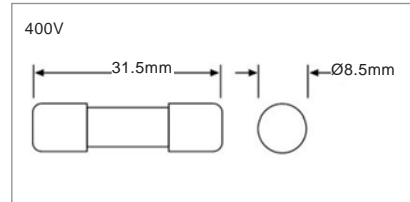
Product overview

- Fast aM type typically for motor circuit protection
- aM fast acting short circuit protection, slow acting overload protection
- To IEC 60269
- 400V rating



SPECIFICATION		
Rating	400V	1 - 10A
Breaking capacity	20kA	

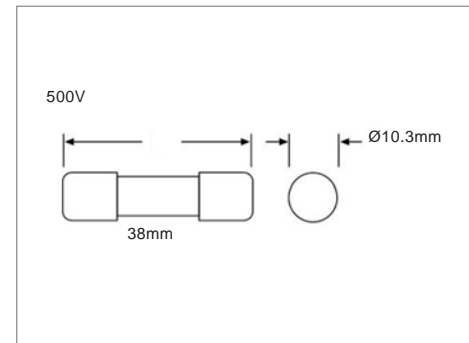
PART NO.	RATING
CF0840aM/1	1A
CF0840aM/2	2A
CF0840aM/4	4A
CF0840aM/6	6A
CF0840aM/8	8A
CF0840aM/10	10A



10.3x38mm gG general power fuses

Product overview

- Full gG range type typically for conductor protection
- Line protection, slow blow typically used for power distribution or reuse loads
- CF10gG series 500V rating (32A 400V)
- To IEC60269



SPECIFICATION			
Rating	CF10gG	500V	500mA - 25A 500mA - 25A (32A 400V)
Breaking capacity	CF10gG	120kA	

PART NO.	RATING
CF1050gG/500	500mA
CF1050gG/1	1A
CF1050gG/2	2A
CF1050gG/4	4A
CF1050gG/6	6A
CF1050gG/8	8A
CF1050gG/10	10A
CF1050gG/12	12A
CF1050gG/20	20A
CF1050gG/25	25A
CF1050gG/32	32A

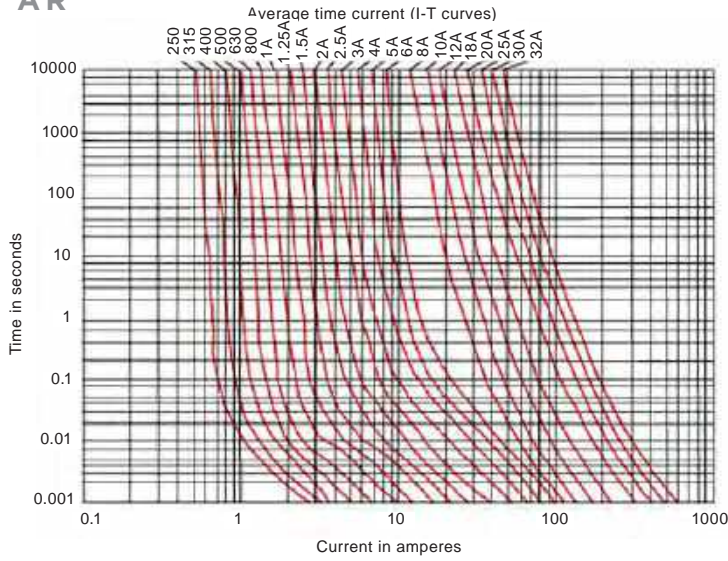
Average time/current graphs

214
FUSED TERMINAL
BLOCKS

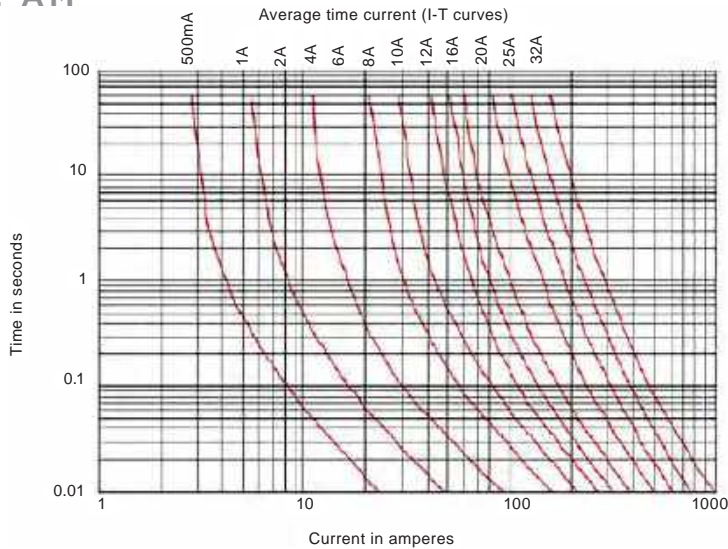
217
FUSEHOLDERS

226
FUSES

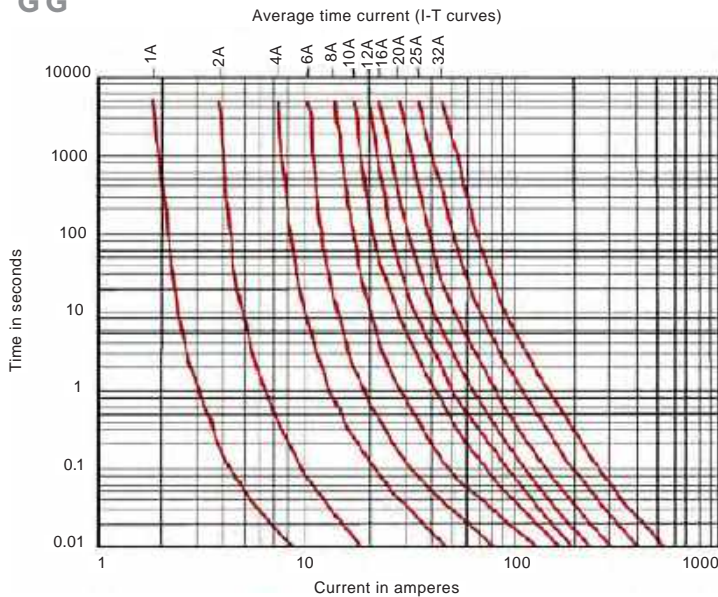
POWERFUSE AR



POWERFUSE AM



POWERFUSE GG



10.3x38mm gPV solar photovoltaic power fuses

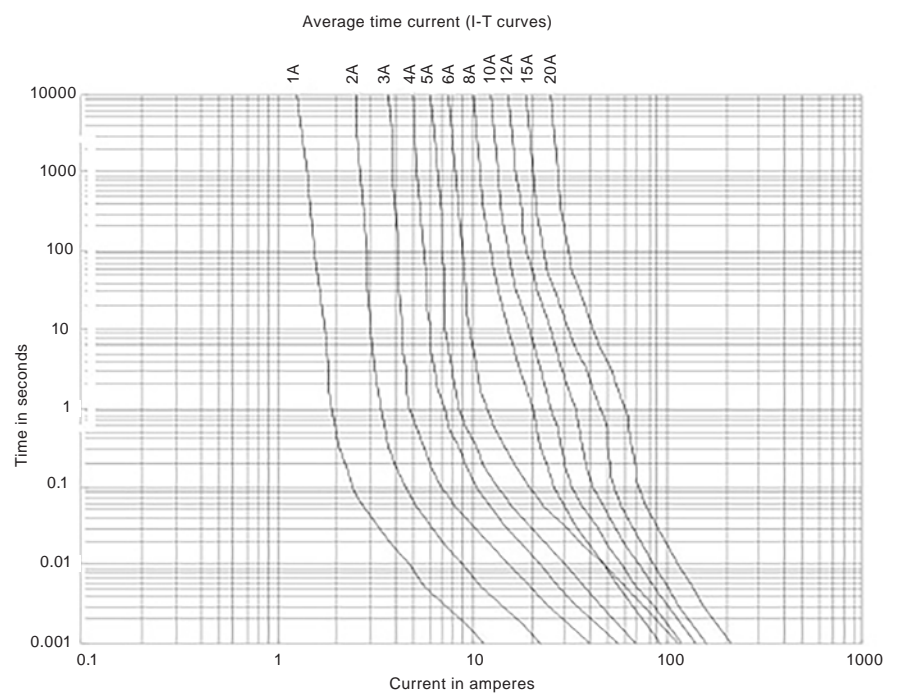
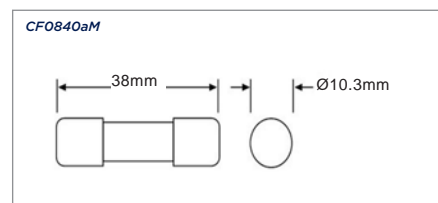
Product overview

- Fast gPV type for the protection of photovoltaic modules and their conductors
- Current limiting, super fast blow
- To IEC 60269
- 1000V rated
- UL and TUV approvals

PART NO.	RATING
CFI010gPV/1	1A
CFI010gPV/2	2A
CFI010gPV/3	3A
CFI010gPV/4	4A
CFI010gPV/5	5A
CFI010gPV/6	6A
CFI010gPV/8	8A
CFI010gPV/10	10A
CFI010gPV/12	12A
CFI010gPV/15	15A
CFI010gPV/20	20A



SPECIFICATION		
Rating	CFI0gPV	1000V 1-20A
Breaking capacity	CFI0gPV	2kA @ 1000VDC
Blow time @ I _N = 113% of IR 1 hour min		



KEY FEATURES

Solar fuses for photovoltaic application | Super fast blow | Current limiting

PROTECT

Miniblade fuses 16x12mm

Product overview

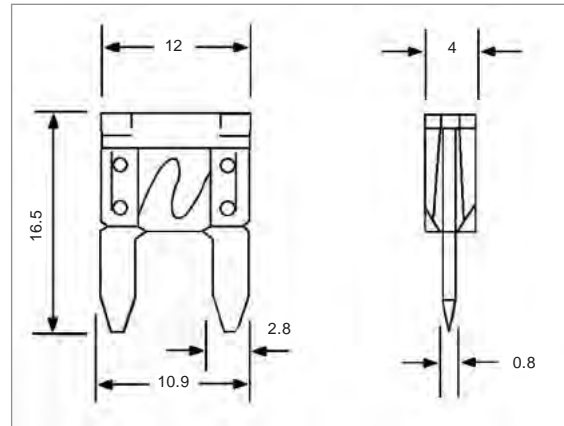
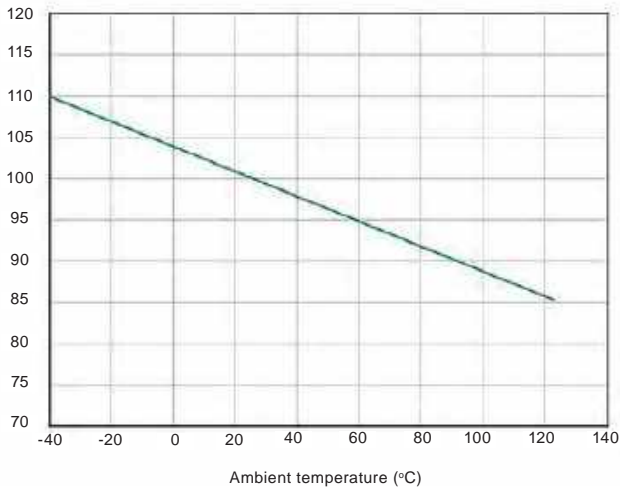
- 5A - 30A options
- Colour coded for current rating identification
- Application: automotive, automation
- Manufactured to UL-248 and IEC60068-2-6
- Resistant to low temperatures and vibration
- Amp ratings moulded into fuse housing
- Fast acting overcurrent protection



SPECIFICATION	
Voltage rating	32V
Operating temperature	-25°C to +85°C
Storage conditions	+10°C to +60°C

PART NO.	RATING	COLOUR CODE
CFBB1612/5	5A	Brown
CFBB1612/7.5	7.5A	Coffee
CFBB1612/10	10A	Red
CFBB1612/15	15A	Blue
CFBB1612/20	20A	Yellow
CFBB1612/25	25A	Natural
CFBB1612/30	30A	Green

Temperature de-rating curve



KEY FEATURES

Automotive and automation fuses | Colour coded | Miniblade size

Surface mount 0603 fuses

Product overview

- Ceramic construction SMD fuses
- Silver end caps, plated with nickel and tin
- 0603 foot print
- Fast blow and slow blow options
- 32V rating
- Supplied taped on a reel
- Other current options available to order
-  approved - UL248-14



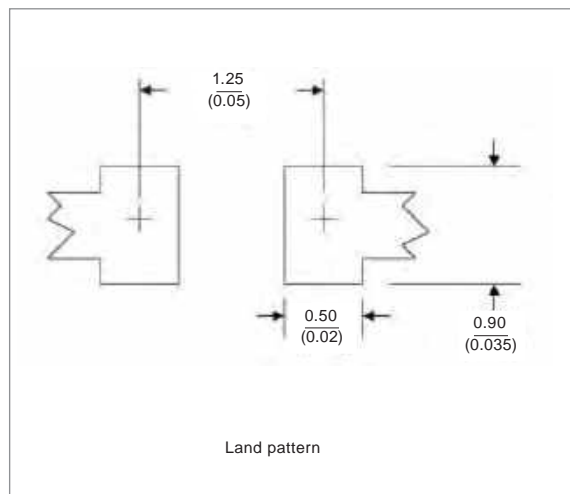
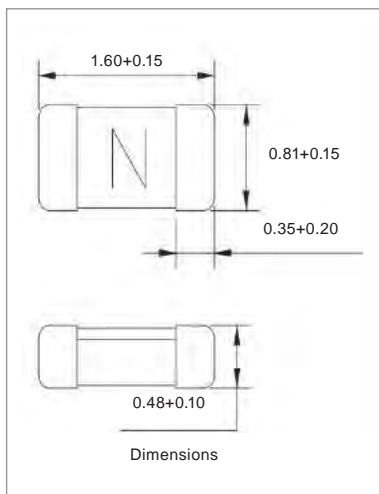
SPECIFICATION		
Voltage rating	Quick blow Time delay	32V/250mA-6A 32V/1A-5A
Breaking capacity	50A @ 32V DC	
Soldering parameter	Wave soldering Hand soldering	260°C ≤ 10 seconds 300°C ≤ 2 seconds
Operating temperature	-55°C to +125°C	
Storage conditions	+10°C to +60°C	

0603, quick blow

PART NO.	RATING	I ² T
CFB0603TFF/250	250mA	0.00042
CFB0603TFF/500	500mA	0.001
CFB0603TFF/1	1A	0.011
CFB0603TFF/2	2A	0.115
CFB0603TFF/3	3A	0.21
CFB0603TFF/5	5A	1.2
CFB0603TFF/6	6A	1.7

0603, time delay

PART NO.	RATING	I ² T
CFB0603TTT/1	1A	0.011
CFB0603TTT/1.5	1.5A	0.045
CFB0603TTT/2.5	2.5A	0.14
CFB0603TTT/3	3A	0.28
CFB0603TTT/4	4A	0.6
CFB0603TTT/5	5A	1.9



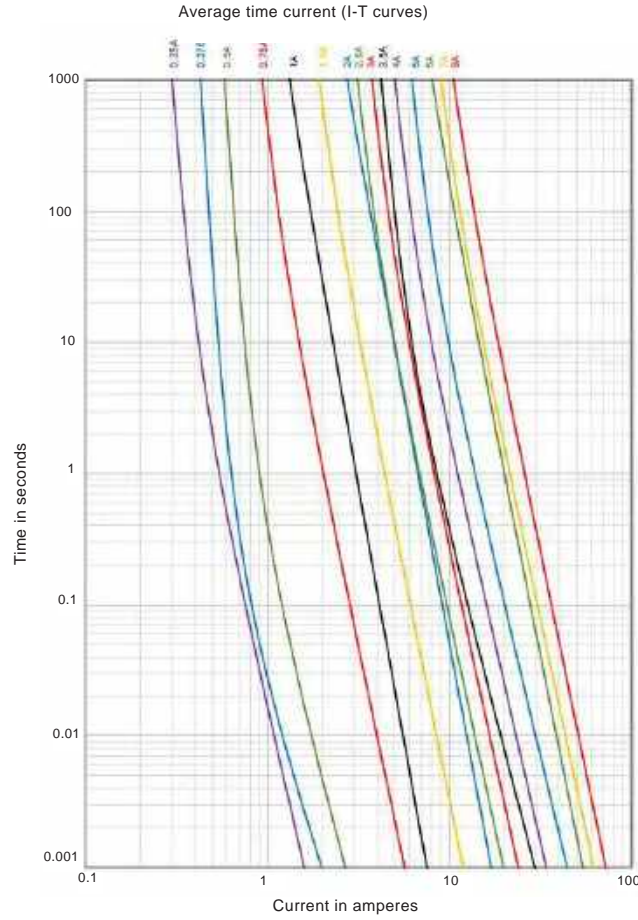
KEY FEATURES

0603 footprint | Supplied on a reel | UL approved product

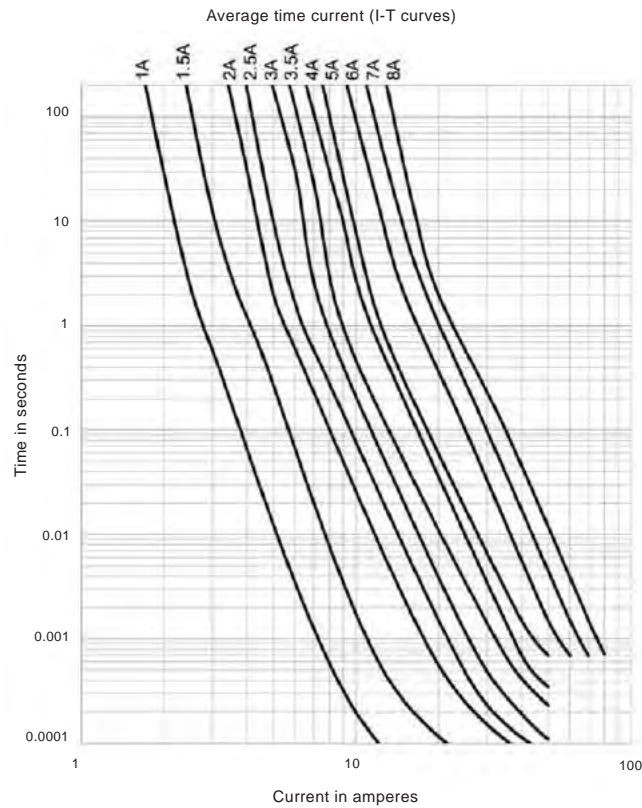
Average time/current graphs

0603 FUSES

QUICK BLOW




TIME DELAY



Surface mount 1206 fuses

Product overview

- Ceramic construction SMD fuses
- Silver end caps, plated with nickel and tin
- 1206 foot print
- Quick blow and time delay options
- Supplied taped on a reel
-  approved - UL248-14



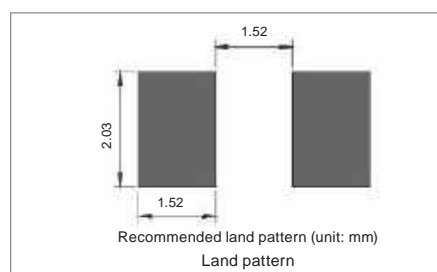
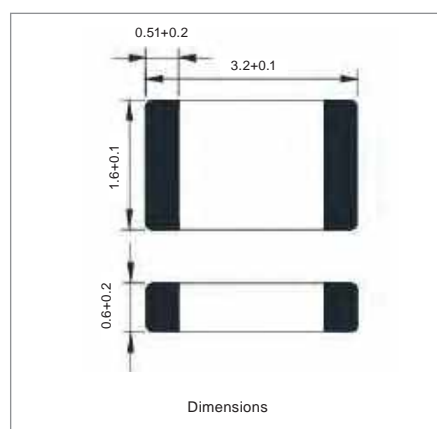
SPECIFICATION		
Voltage rating	Quick blow	32V/250mA-20A 72V/250mA-4A 32V/4.5A-30A
	Time delay	32V/500mA-12A 72V/500mA-4A 45V/4.5A-7A 32V/8A-30A
Breaking capacity	50A @ 32V DC	
Soldering parameter	Wave soldering	260oC ≤ 10 seconds
	Hand soldering	300oC ≤ 2 seconds
Operating temperature	-55°C to +125°C	
Storage conditions	+10°C to +60°C	

1206, quick blow

PART NO.	RATING	I ² T
CFB1206TFF/250	250mA	0.0004
CFB1206TFF/375	375mA	0.0008
CFB1206TFF/500	500mA	0.0022
CFB1206TFF/750	750mA	0.0057
CFB1206TFF/1	1A	0.1
CFB1206TFF/1.5	1.5A	0.15
CFB1206TFF/2	2A	0.41
CFB1206TFF/2.5	2.5A	0.65
CFB1206TFF/3	3A	1.39
CFB1206TFF/4	4A	1.73
CFB1206TFF/5	5A	2.89
CFB1206TFF/6	6A	N/A
CFB1206TFF/7	7A	5.68
CFB1206TFF/8	8A	8
CFB1206TFF/10	10A	9.5
CFB1206TFF/12	12A	11.5
CFB1206TFF/15	15A	16.5
CFB1206TFF/20	20A	47.17

1206, time delay

PART NO.	RATING	I ² T
CFB1206TTT/500	500mA	N/A
CFB1206TTT/1	1A	0.11
CFB1206TTT/1.5	1.5A	0.17
CFB1206TTT/2	2A	0.41
CFB1206TTT/2.5	2.5A	0.68
CFB1206TTT/3	3A	1.5
CFB1206TTT/4	4A	2.5
CFB1206TTT/5	5A	4
CFB1206TTT/6	6A	12
CFB1206TTT/8	8A	16
CFB1206TTT/10	10A	22



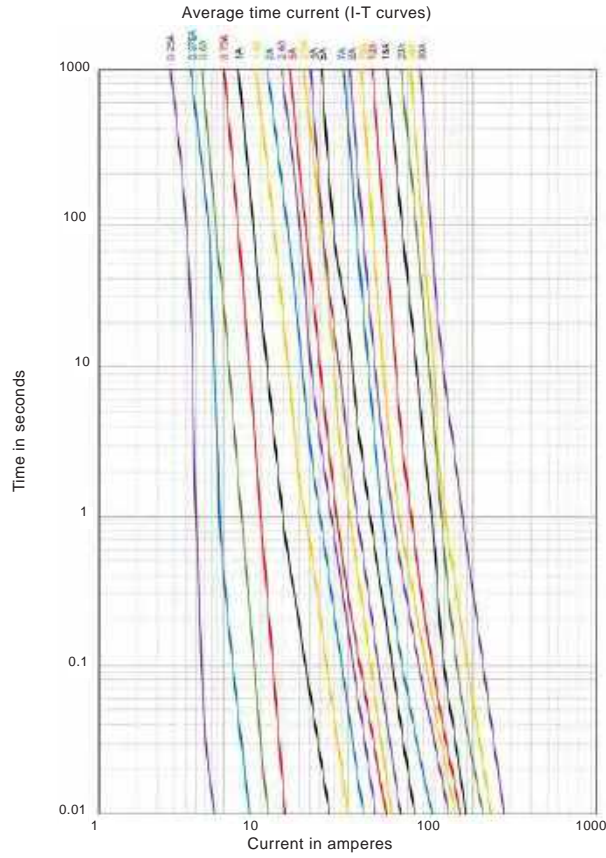
KEY FEATURES

1206 footprint | Supplied on a reel | UL approved product

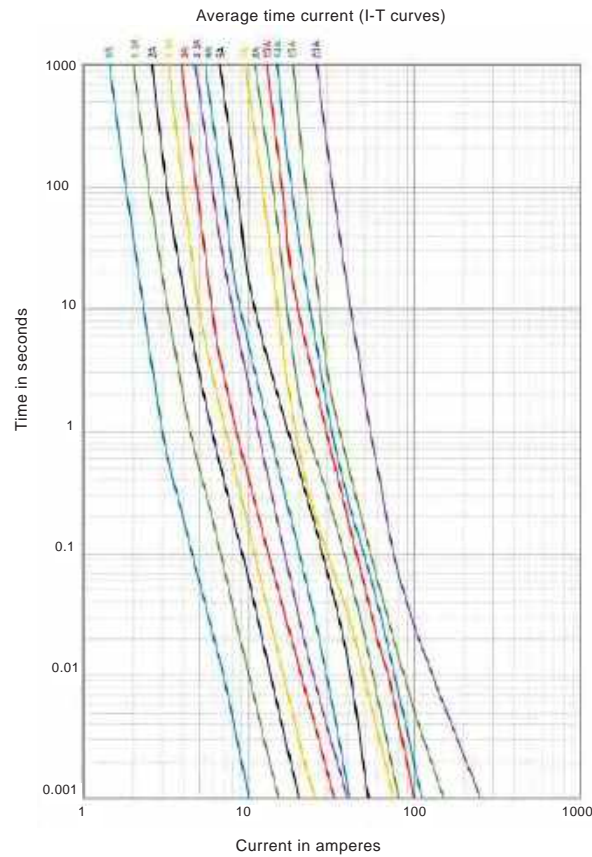
Average time/current graphs

1206 FUSES

QUICK BLOW



TIME DELAY



Surface mount 2410 fuses

Product overview

- Ceramic construction SMD fuses
- Silver end caps, copper plated
- 2410 foot print
- Quick blow and time delay options
- Supplied taped on reel
- Fuseholder option
- Other current options available to order
-  approved - UL248-14



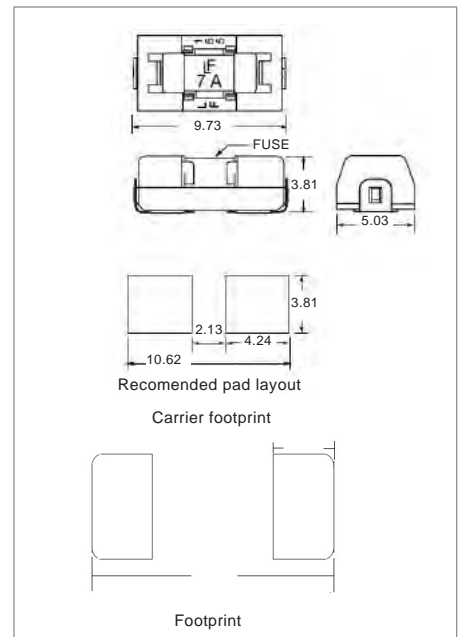
SPECIFICATION		
Voltage rating	Quick blow	250V AC/125V DC 375mA - 12A
	Time delay	250V AC/125V DC 250mA - 15A
Breaking capacity	50A or 10In @ 125V DC 50A or 10In @ 125V AC	
Soldering parameter	Wave soldering	260°C ≤ 10 seconds
	Hand soldering	300°C ≤ 2 seconds
Operating temperature	-55°C +125°C	
Storage temperature	+10°C +60°C	

Quick blow

PART NO.	RATING	I ² T
CFB2410TFF/250	250mA	0.144
CFB2410TFF/315	315mA	0.137
CFB2410TFF/500	500mA	0.09
CFB2410TFF/750	750mA	0.16
CFB2410TFF/800	800mA	0.203
CFB2410TFF/1	1A	0.9
CFB2410TFF/1.5	1.5A	1.069
CFB2410TFF/2	2A	0.8
CFB2410TFF/2.5	2.5A	N/A
CFB2410TFF/3	3A	1.95
CFB2410TFF/4	4A	4
CFB2410TFF/5	5A	7.5
CFB2410TFF/6.3	6.3A	13
CFB2410TFF/7	7A	16
CFB2410TFF/8	8A	20
CFB2410TFF/10	10A	35
CFB2410TFF/12	12A	40
CFB2410TFF/15	15A	55

Quick blow, with holder

PART NO.	RATING	I ² T
CFB2410TFF/C/375	375mA	0.335
CFB2410TFF/C/500	500mA	0.09
CFB2410TFF/C/1	1A	0.9
CFB2410TFF/C/1.5	1.5A	1.069
CFB2410TFF/C/2.5	2.5A	N/A
CFB2410TFF/C/3	3A	1.95
CFB2410TFF/C/3.5	3.5A	N/A
CFB2410TFF/C/4	4A	4
CFB2410TFF/C/5	5A	7.5
CFB2410TFF/C/6.3	6.3A	13
CFB2410TFF/C/7	7A	16
CFB2410TFF/C/8	8A	20
CFB2410TFF/C/10	10A	35



Time delay

PART NO.	RATING	I ² T
CFB2410TTT/375	375mA	0.73
CFB2410TTT/500	500mA	0.055
CFB2410TTT/800	800mA	0.512
CFB2410TTT/1	1A	0.87
CFB2410TTT/1.6	1.6A	1.69
CFB2410TTT/2	2A	3.48
CFB2410TTT/2.5	2.5A	2.06
CFB2410TTT/3	3A	2.16
CFB2410TTT/3.5	3.5A	4.5
CFB2410TTT/4	4A	3.84
CFB2410TTT/5	5A	7.5
CFB2410TTT/7	7A	12.74
CFB2410TTT/8	8A	21.6
CFB2410TTT/12	12A	79

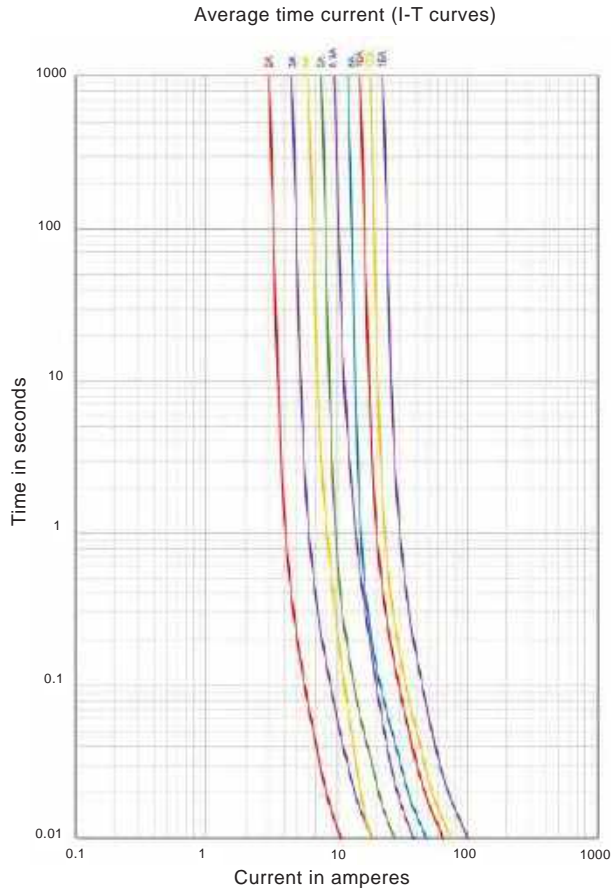
Time delay, with holder

PART NO.	RATING	I ² T
CFB2410TTT/C/750	750mA	0.168
CFB2410TTT/C/1	1A	0.87
CFB2410TTT/C/1.5	1.5A	1.69
CFB2410TTT/C/2	2A	3.48
CFB2410TTT/C/2.5	2.5A	2.06
CFB2410TTT/C/3	3A	2.16
CFB2410TTT/C/3.5	3.5A	4.5
CFB2410TTT/C/4	4A	3.84
CFB2410TTT/C/5	5A	7.5

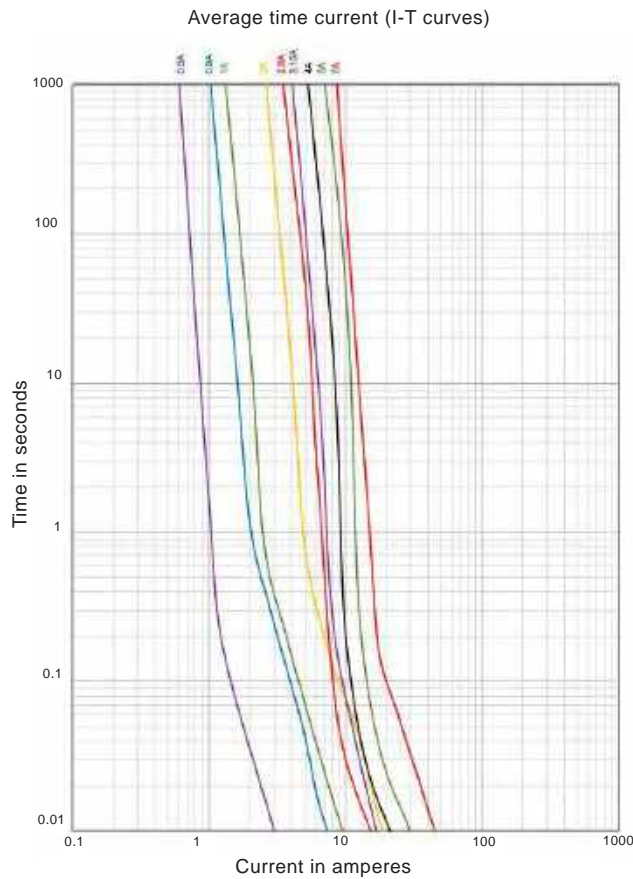
Average time/current graphs

2410 FUSES

QUICK BLOW



TIME DELAY



Surface mount N2 fuses

Product overview

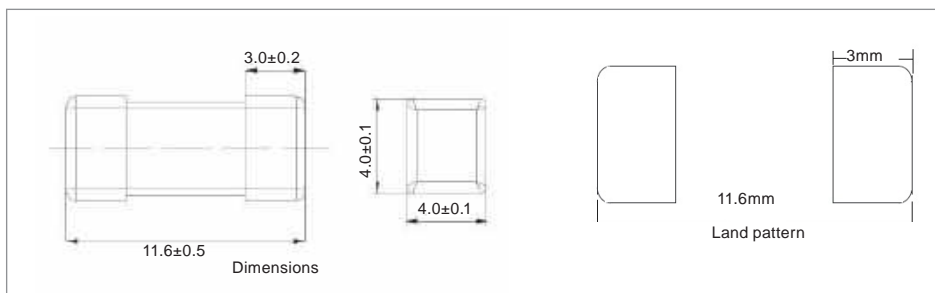
- Ceramic construction SMD fuses
- Silver end caps copper plated
- 11.6x4 mm footprint
- Time delay
- 250V AC rating
- Supplied taped on a reel
- Other current options available to order
-  approved - UL248-14



SPECIFICATION		
Voltage rating	Time delay	250V AC / 250 VDC
Breaking capacity	50A or 10In @ 125V DC 50A or 10In @ 125V AC	
Soldering parameter	Wave soldering	260°C ≤ 10 seconds
	Hand soldering	300°C ≤ 2 seconds
Operating temperature	-55°C +125°C	
Storage temperature	+10°C +60°C	

Time delay

PART NO.	RATING	I ² T
CFBN2TTT/1	1A	6.25
CFBN2TTT/1.6	1.6A	10.89
CFBN2TTT/2	2A	17.6
CFBN2TTT/3	3A	N/A
CFBN2TTT/3.15	3.15A	51.8
CFBN2TTT/4	4A	85.7
CFBN2TTT/5	5A	121




KEY FEATURES

Timedelay | Supplied on a reel | Other current options available

2.4x7mm micro miniature very fast acting axial fuses

Product overview

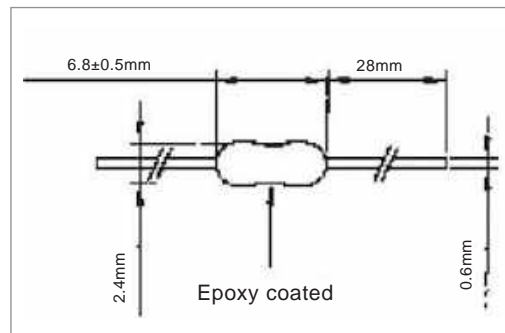
- Very fast acting/quick blow
- Bandoliered
- Excellent I²T characteristics)
- Break capacity
50A/125VAC-100mA-2.5A
35A/125VAC-3.15A-7A
100A/16VAC-12A-20A
-  , TUV approved
100mA-2.5A, 3.15mA-7A



SPECIFICATION	
Materials	Epoxy coated body
Interrupt current	50Amp@250Vac
Operating temperature	-55°C to 125°C
Soldering conditions	350°C for 35 sec max
Solder leads	Tin plated copper
Electrical characteristics	100% 4 hours min blowing 200% 60 sec max blowing


PART NO.	RATING
CFB2470FF/375	375mA
CFB2470FF/400	400mA
CFB2470FF/500	500mA
CFB2470FF/600	600mA
CFB2470FF/630	630mA
CFB2470FF/700	700mA
CFB2470FF/750	750mA
CFB2470FF/800	800mA
CFB2470FF/1	1A
CFB2470FF/1.2	1.2A
CFB2470FF/1.25	1.25A
CFB2470FF/1.5	1.5A

PART NO.	RATING
CFB2470FF/1.6	1.6A
CFB2470FF/2	2A
CFB2470FF/2.25	2.25A
CFB2470FF/2.5	2.5A
CFB2470FF/3	3A
CFB2470FF/3.15	3.15A
CFB2470FF/3.5	3.5A
CFB2470FF/4	4A
CFB2470FF/5	5A
CFB2470FF/6	6A
CFB2470FF/6.3	6.3A
CFB2470FF/7	7A



2.4x7mm micro miniature slow blow/time delay axial fuses

Product overview

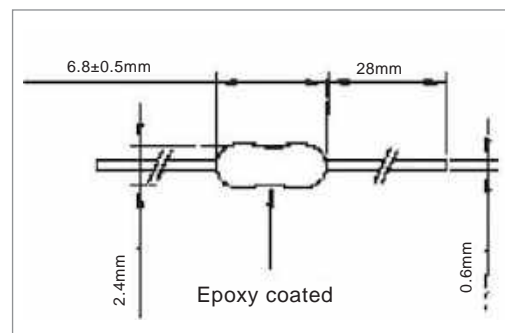
- Slow blow/time delay
- Bandoliered
- Excellent I²T characteristics)
- Break capacity
50A/125VAC-100mA-2.5A
35A/125VAC-4A-6.3A
100A/16VAC-12A-20A
-  , TUV, CCC, PS approved
100mA-2.5A, 3.15mA-6.3A



SPECIFICATION	
Materials	Epoxy coated body
Interrupt current	50Amp@250Vac
Operating temperature	-55°C to 125°C
Soldering conditions	350°C for 35 sec max
Solder leads	Tin plated copper
Electrical characteristics	100% 4 hours min blowing 200% 60 sec max blowing, 1 sec min 300% 0.2 sec min, 3 sec max 800% 0.01 sec min, 0.1 sec max

PART NO.	RATING
CFB2470TT/375	375mA
CFB2470TT/400	400mA
CFB2470TT/500	500mA
CFB2470TT/600	600mA
CFB2470TT/630	630mA
CFB2470TT/750	750mA
CFB2470TT/800	800mA
CFB2470TT/1	1A
CFB2470TT/1.2	1.2A
CFB2470TT/1.25	1.25A
CFB2470TT/1.5	1.5A
CFB2470TT/1.6	1.6A
CFB2470TT/2	2A

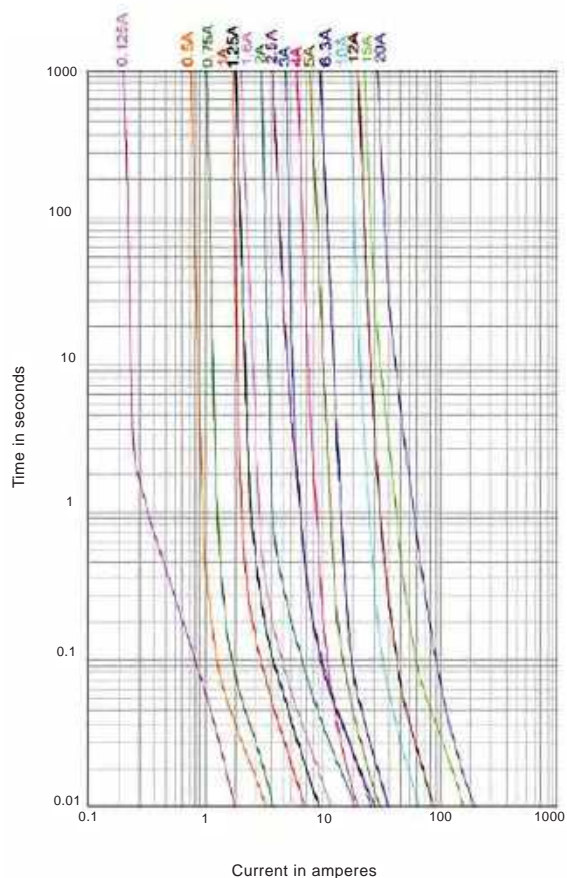
PART NO.	RATING
CFB2470TT/2.5	2.5A
CFB2470TT/3	3A
CFB2470TT/3.15	3.15A
CFB2470TT/3.5	3.5A
CFB2470TT/4	4A
CFB2470TT/5	5A
CFB2470TT/6	6A
CFB2470TT/6.3	6.3A
CFB2470TT/7	7A



Average time/current graphs

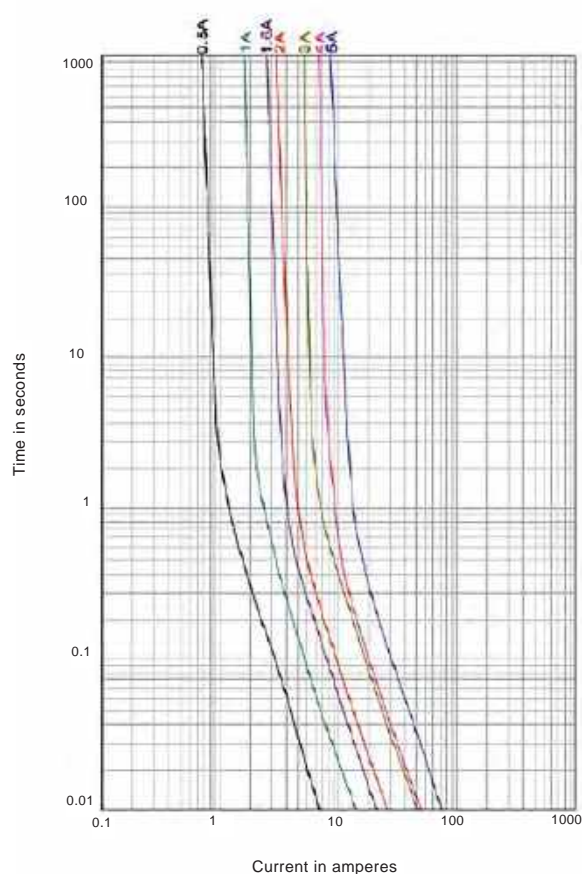
CFB2470FF

Average time current (I-T curves)



CFB2470TT

Average time current (I-T curves)



Radial lead fuses (round)

Product overview

- Quick blow and time delay
- 250V rating
- Supplied in taped ammo pack
- IEC 60127
- Time delay: BSI approved



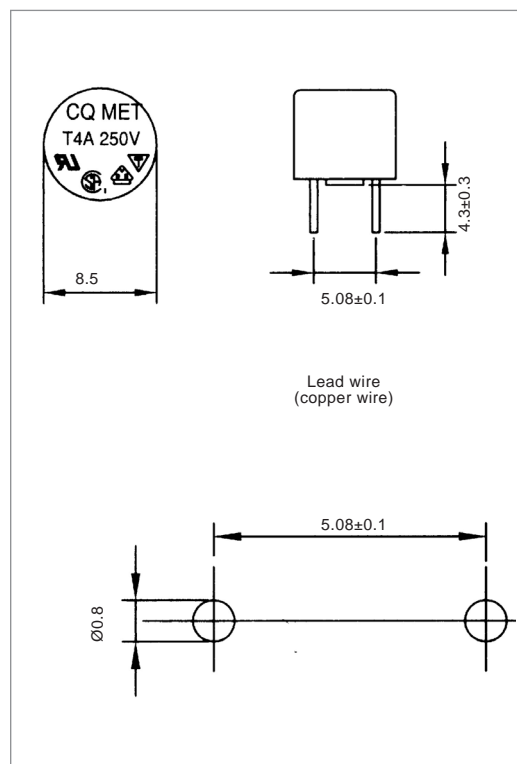
SPECIFICATION		
Rating	Quick blow Time delay	250V 50mA-6.3A 250V 40mA-6.3A
Working temperature	-55°C to 125°C	
Interrupt current	35A or 10x I _n @ 240V	
Soldering conditions	Infrared reflow Wave flow	260°C for 20 sec max 260°C for 10 sec max
Electrical characteristics	Quick blow	60 mins min @ 1.5 I _n 30 mins max @ 2.1 I _n 10 msec min @ 2.75 I _n 3 sec max @ 2.75 I _n 3 msec min @ 4 I _n 300 msec max @ 4 I _n 20 msec max @ 10 I _n
	Time delay	60 mins min @ 1.5 I _n 2 mins max @ 2.1 I _n 400 msec min @ 2.75 I _n 10 sec max @ 2.75 I _n 150 msec min @ 4 I _n 3 sec max @ 4 I _n 20 msec min @ 10 I _n 150 msec max @ 10 I _n

Quick blow

PART NO.	RATING	I ² T
CFRT05F/50	50mA	0.000325
CFRT05F/63	63mA	0.001580
CFRT05F/80	80mA	0.003200
CFRT05F/100	100mA	0.005000
CFRT05F/125	125mA	0.006250
CFRT05F/160	160mA	0.007680
CFRT05F/200	200mA	0.024000
CFRT05F/250	250mA	0.043750
CFRT05F/315	315mA	0.059530
CFRT05F/400	400mA	0.080000
CFRT05F/500	500mA	0.083000
CFRT05F/600	600mA	0.119000
CFRT05F/800	800mA	0.192000
CFRT05F/1	1A	0.300000
CFRT05F/1.25	1.25A	0.468700
CFRT05F/1.6	1.6A	0.896000
CFRT05F/2	2A	1.200000
CFRT05F/2.5	2.5A	2.500000
CFRT05F/3.15	3.15A	3.969000
CFRT05F/4	4A	7.200000
CFRT05F/5	5A	15.000000
CFRT05F/6.3	6.3A	47.628000

Time delay

PART NO.	RATING	I ² T
CFRT05T/40	40mA	0.016000
CFRT05T/63	63mA	0.027700
CFRT05T/80	80mA	0.019200
CFRT05T/100	100mA	0.030000
CFRT05T/125	125mA	0.010900
CFRT05T/160	160mA	0.133100
CFRT05T/200	200mA	0.200000
CFRT05T/250	250mA	0.375000
CFRT05T/315	315mA	0.545700
CFRT05T/400	400mA	1.040000
CFRT05T/500	500mA	0.250000
CFRT05T/630	630mA	2.302000
CFRT05T/800	800mA	3.136000
CFRT05T/1	1A	6.500000
CFRT05T/1.25	1.25A	12.500000
CFRT05T/1.6	1.6A	18.944000
CFRT05T/2	2A	32.000000
CFRT05T/2.5	2.5A	37.500000
CFRT05T/3.15	3.15A	84.341000
CFRT05T/4	4A	144.000000
CFRT05T/5	5A	162.500000
CFRT05T/6.3	6.3A	277.830000




KEY FEATURES

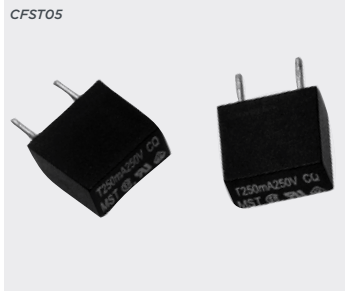
5.08mm fixing pitch | Ammo packed | Fast blow and time delay versions



Radial lead fuses (square)

Product overview

- Quick blow and time delay
- 250V rating
- Supplied in taped ammo pack
- IEC 60127
-  approved



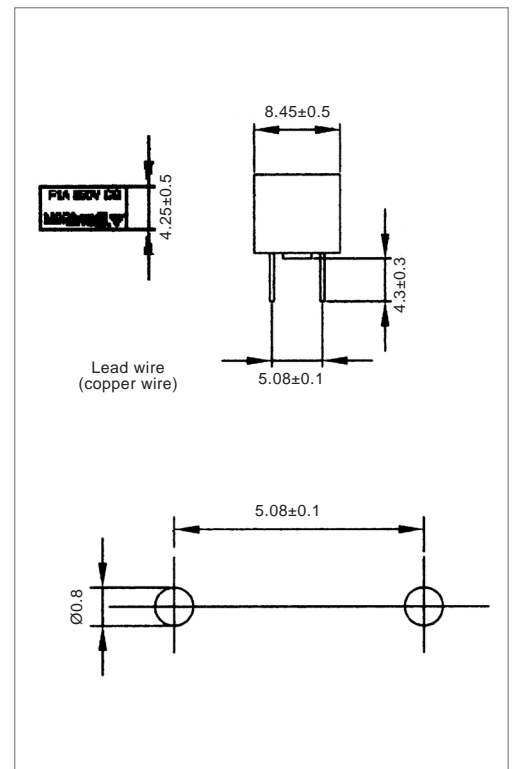
SPECIFICATION		
Rating	Quick blow Time delay	250V 50mA-6.3A 250V 40mA-6.3A
Working temperature	-55°C to 125°C	
Interrupt current	35A or 10x I _n @ 240V	
Soldering conditions	Infrared reflow Wave flow	260°C for 20 sec max 260°C for 10 sec max
Electrical characteristics	Quick blow	60 mins min @ 1.5 I _n 30 mins max @ 2.1 I _n 10 msec min @ 2.75 I _n 3 sec max @ 2.75 I _n 3 msec min @ 4 I _n 300 msec max @ 4 I _n 20 msec max @ 10 I _n
	Time delay	60 mins min @ 1.5 I _n 2 mins max @ 2.1 I _n 400 msec min @ 2.75 I _n 10 sec max @ 2.75 I _n 150 msec min @ 4 I _n 3 sec max @ 4 I _n 20 msec min @ 10 I _n 150 msec max @ 10 I _n

Quick blow

PART NO.	RATING	I ² T
CFST05F/50	50mA	0.000325
CFST05F/63	63mA	0.001580
CFST05F/80	80mA	0.003200
CFST05F/100	100mA	0.005000
CFST05F/125	125mA	0.006250
CFST05F/160	160mA	0.007680
CFST05F/200	200mA	0.024000
CFST05F/250	250mA	0.043750
CFST05F/315	315mA	0.059530
CFST05F/400	400mA	0.080000
CFST05F/500	500mA	0.083000
CFST05F/600	600mA	0.119000
CFST05F/800	800mA	0.192000
CFST05F/1	1A	0.300000
CFST05F/1.25	1.25A	0.468700
CFST05F/1.6	1.6A	0.896000
CFST05F/2	2A	1.200000
CFST05F/2.5	2.5A	2.500000
CFST05F/3.15	3.15A	3.969000
CFST05F/4	4A	7.200000
CFST05F/5	5A	15.000000
CFST05F/6.3	6.3A	47.628000

Time delay

PART NO.	RATING	I ² T
CFST05T/40	40mA	0.016000
CFST05T/63	63mA	0.027700
CFST05T/80	80mA	0.019200
CFST05T/100	100mA	0.030000
CFST05T/125	125mA	0.010900
CFST05T/160	160mA	0.133100
CFST05T/200	200mA	0.200000
CFST05T/250	250mA	0.375000
CFST05T/315	315mA	0.545700
CFST05T/400	400mA	1.040000
CFST05T/500	500mA	0.250000
CFST05T/630	630mA	2.302000
CFST05T/800	800mA	3.136000
CFST05T/1	1A	6.500000
CFST05T/1.25	1.25A	12.500000
CFST05T/1.6	1.6A	18.944000
CFST05T/2	2A	32.000000
CFST05T/2.5	2.5A	37.500000
CFST05T/3.15	3.15A	84.341000
CFST05T/4	4A	144.000000
CFST05T/5	5A	162.500000
CFST05T/6.3	6.3A	277.830000



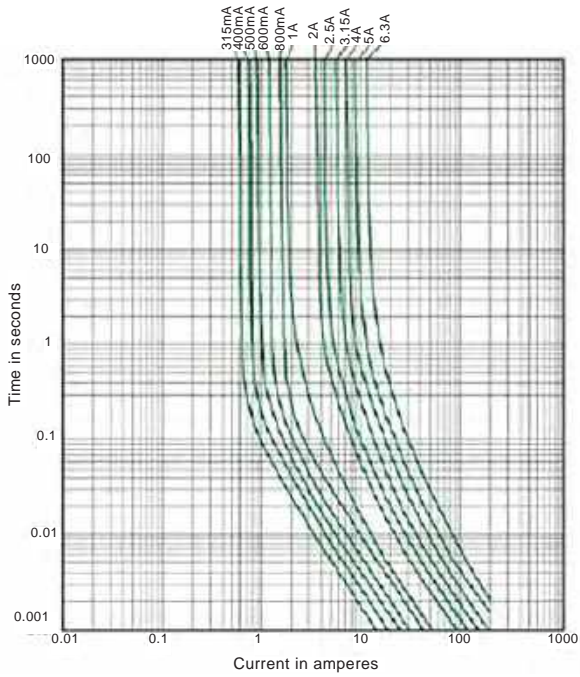
KEY FEATURES

5.08mm fixing pitch | Ammo packed | Fast blow and time delay versions

Average time/current graphs

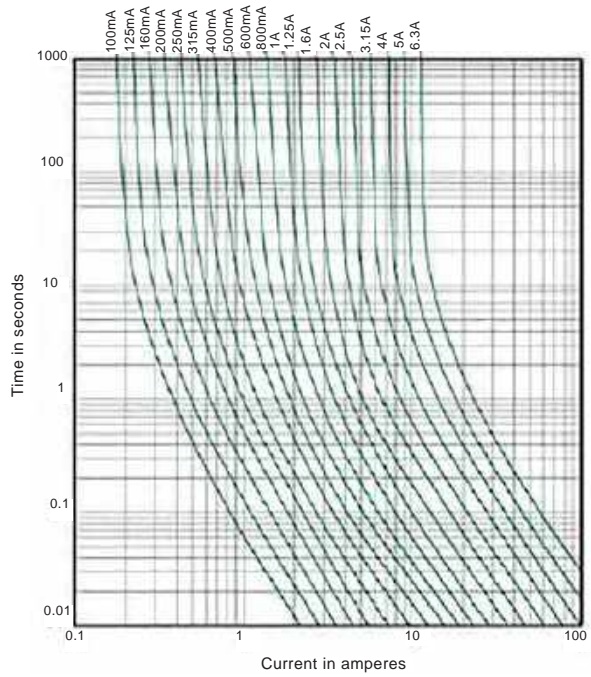
CFRT05F

Average time current (I-T curves)



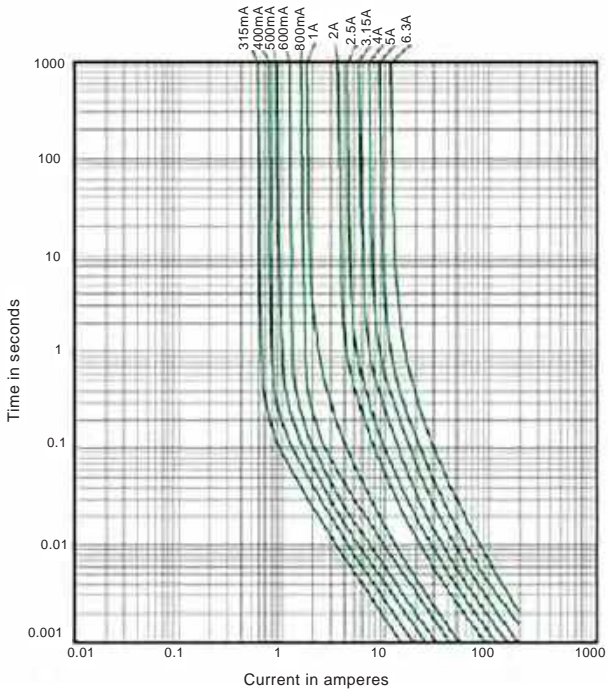
CFRT05T

Average time current (I-T curves)



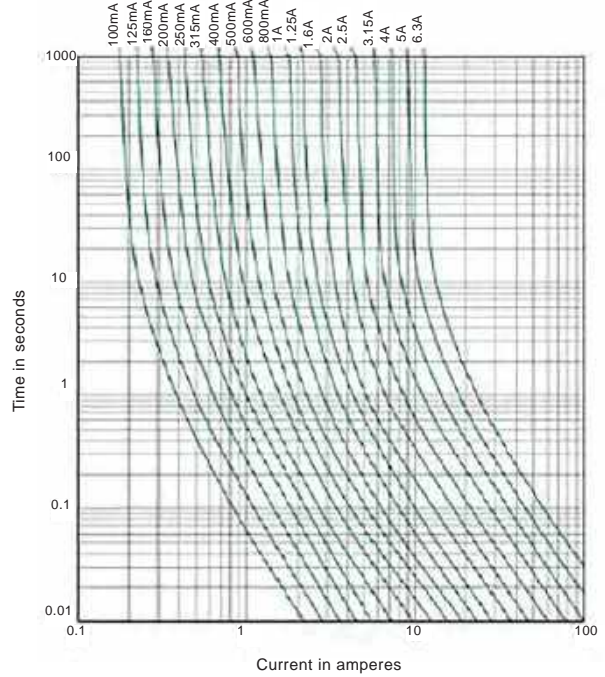
CFST05F

Average time current (I-T curves)



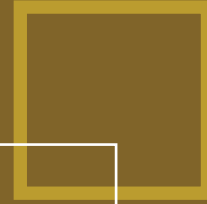
CFST05T

Average time current (I-T curves)



Light

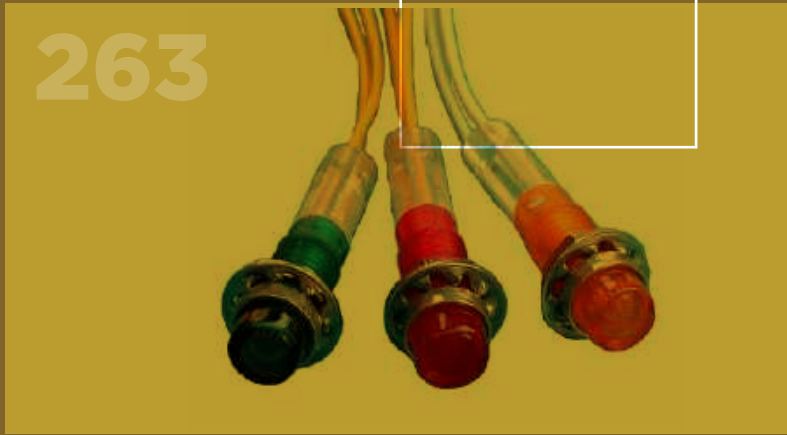
264



262



263



258



259



LIGHT

LED, filament lamp, and neon indicators in a wide variety of sizes and colours. Through hole and surface mount LEDs in a range of sizes, colours and brightness.

		
<p>Surface mount LEDs 254</p>	<p>3mm LEDs 256</p>	<p>5mm LEDs 257</p>
		
<p>22mm panel indicators 258</p>	<p>22mm panel audible indicators 259</p>	<p>504 05 series 260</p>
		
<p>503 A series 260</p>	<p>514 23-LED series 261</p>	<p>509 M-LED series 261</p>
		
<p>512 33-LED series 262</p>	<p>513 34-LED series 262</p>	<p>515 MPA series 263</p>



517 34-LED series **264**



580 series **264**

Surface mount LEDs

Product overview

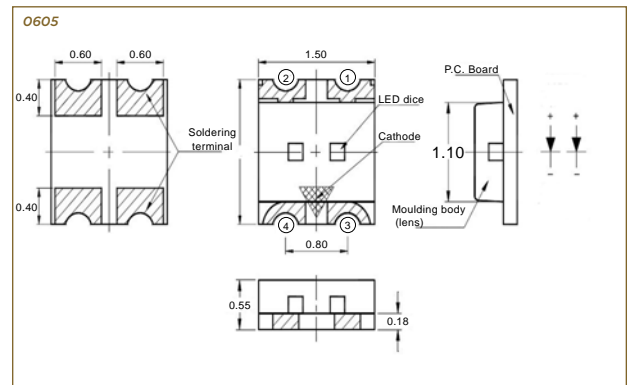
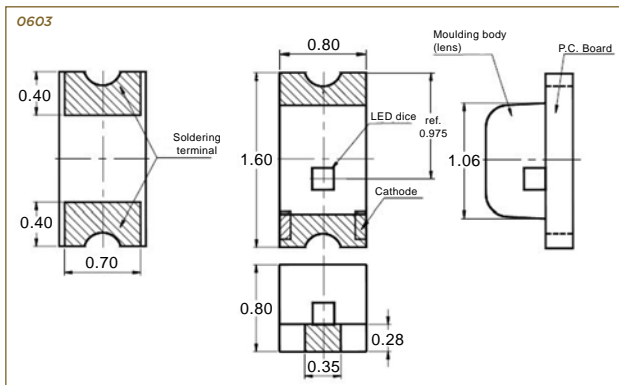
- Surface mount LEDs in packages conforming to EIA standards
- 0603, 0805, 1206 and 1208 sizes compatible with automated placement equipment
- IR and vapour phase reflow
- Supplied on 8mm tape or 7 inch reel



SPECIFICATION	
Viewing angle	130°
Max forward current I_f	30mA (blue 20mA)
Max reverse voltage V_r	5V
Lens	Clear

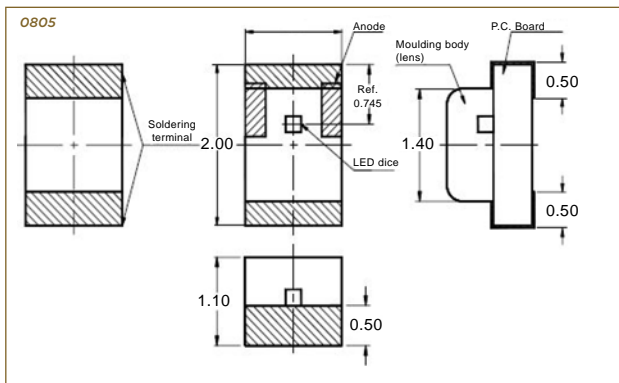
0603/0605 casing

PART NO.	COLOUR	DOMINANT WAVE LENGTH/CIE COORDINATES (λ_d /CIE)	LUMINOUS INTENSITY (Iv)	MAX FORWARD VOLTAGE (V _F)
CL0603RC	Red	631nm	20.0mcd*	2.4V
CL0603AC	Amber	602nm	6.0mcd	2.1V
CL0603YC	Yellow	588nm	80.0mcd	2.0V
CL0603GC	Green	569nm	12.0mcd	2.1V
CL0603BC	Blue	467nm	30.0mcd	3.4V
CL0603WC	White	0.294, 0.286	112.0mcd*	3.15V*
CL0605RGC	Red Green	631nm 571nm	45.0mcd 35.0mcd	2.0V 2.0V



0805 casing

PART NO.	COLOUR	DOMINANT WAVE LENGTH/CIE COORDINATES (λ_d /CIE)	LUMINOUS INTENSITY (Iv)	MAX FORWARD VOLTAGE (V _F)
CL0805RC	Red	631nm	20.0mcd	2.0V
CL0805AC	Amber	602nm	4.5mcd	2.1V
CL0805YC	Yellow	588nm	6.0mcd	2.1V
CL0805GC	Green	569nm	6.0mcd	2.1V
CL0805BC	Blue	475nm*	112.0mcd*	3.8V*
CL0805WC	White	0.25, 0.22	450mcd	3.8V



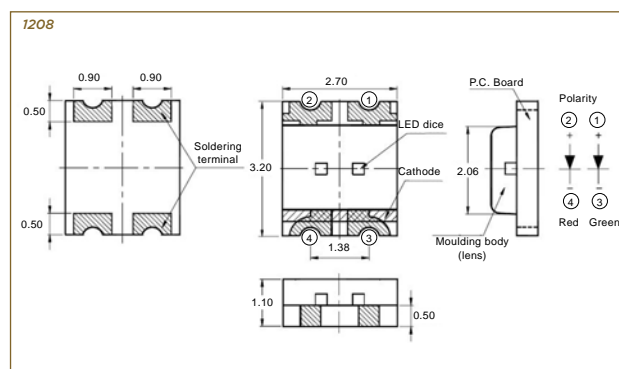
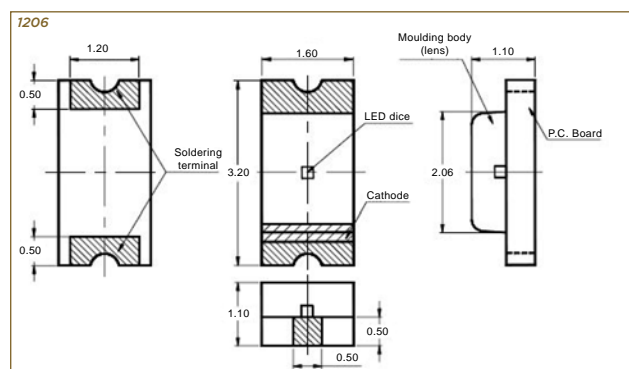
1206 casing

PART NO.	COLOUR	DOMINANT WAVE LENGTH/CIE COORDINATES (λ_d /CIE)	LUMINOUS INTENSITY (I_v)	MAX FORWARD VOLTAGE (V_F)
CL1206RC	Red	631nm	20.0mcd	2.0V
CL1206AC	Amber	602nm	6.0mcd	2.1V
CL1206YC	Yellow	588nm	6.0mcd	2.1V
CL1206GC	Green	569nm	6.0mcd	2.1V
CL1206WC	White	0.294mm, 0.286mm	112mcd*	3.15V*
CL1206BC	Blue	475nm	28mcd	3.8V
CL1208RGC	Red Green	631nm 571nm	5.0mcd* 35.0mcd*	2.0V 2.0V

I_v = typical luminous intensity at 20mA

*= the maximum figure

Chromaticity coordinates (X,Y) derived from 1931 CIE chromaticity diagram



KEY FEATURES

Available on tape or reel | Four footprint sizes | Automation compatible

3mm LEDs

Product overview

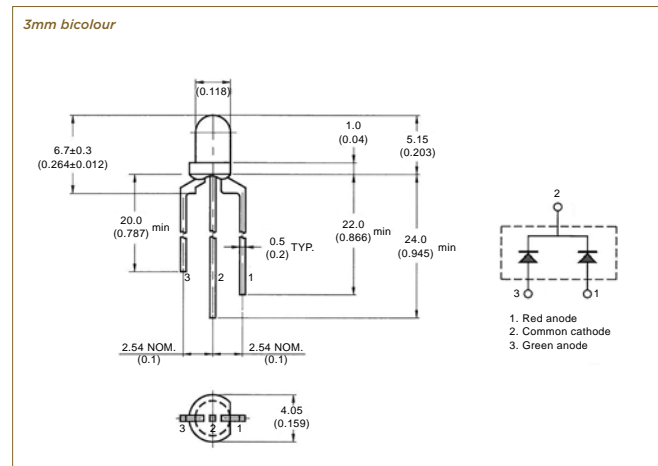
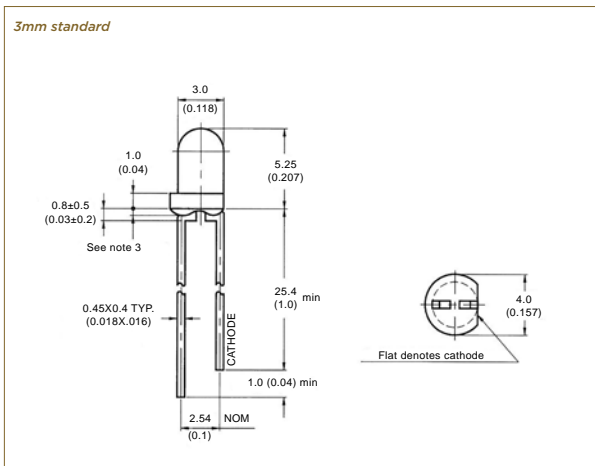
- High efficiency LEDs in a standard 3mm (T1) package
- Diffused lens option for indicator applications
- Bi-coloured red-green option has matched chips for uniform light output
- Bi-coloured red-green option has common cathode



SPECIFICATION	
Max forward current I_f	30mA (yellow/amber 20mA)
Max reverse voltage V_r	5V
Lens	Diffused

Diffused

PART NO.	COLOUR	LENS	DOMINANT WAVE LENGTH/ CIE COORDINATES (λ_d /CIE)	LUMINOUS INTENSITY (I_v)	MAX FORWARD VOLTAGE (V_f)	VIEWING ANGLE
CL3SIRD	Red	Diffused	638nm	60mcd	2.4V	60°
CL3SIAD	Amber	Diffused	602nm	12.6mcd*	2.6V	60°
CL3SIYD	Yellow	Diffused	588nm	8.7mcd	2.6V	40°
CL3SIGD	Green	Diffused	569nm	12.6mcd*	2.1V	40°
CL3SIRGD	Red Green	Diffused Diffused	631nm 572nm	110mcd 110mcd	2.4V 2.4V	45° 45°



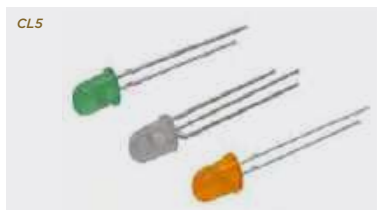
KEY FEATURES

Standard or bicolor | Diffused lens | High efficiency

5mm LEDs

Product overview

- High efficiency LEDs in a standard
- 5mm (T1 3/4) package
- Diffused lens option for indicator applications
- Clear lens options for higher brightness illumination applications
- Bi-coloured red-green option has matched chips for uniform light output
- Bi-coloured red-green option has common cathode



SPECIFICATION	
Max forward current I_f	20-50mA
Max reverse voltage V_R	5V (red 4V)
Lens	Clear & Diffused

Diffused / transparent

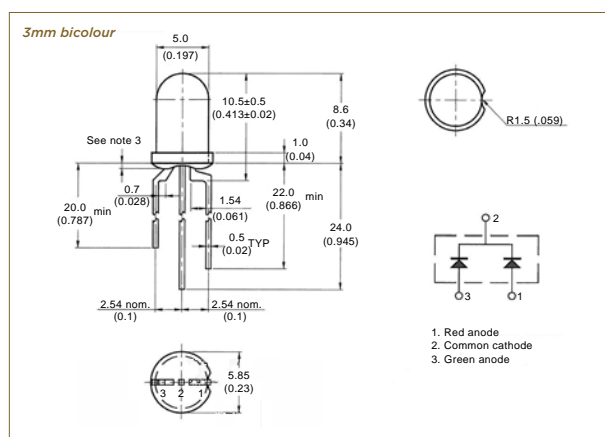
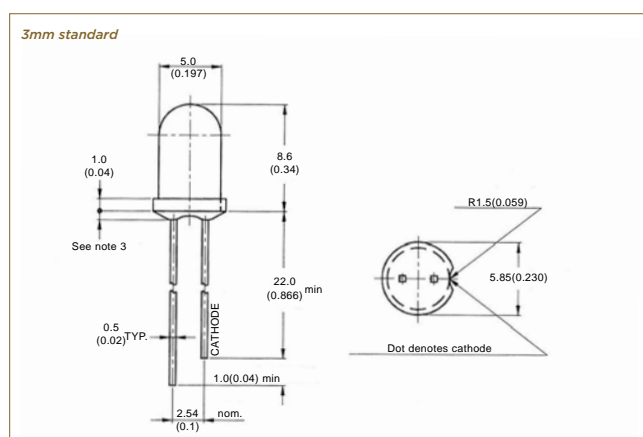
PART NO.	COLOUR	LENS	DOMINANT WAVE LENGTH/ CIE COORDINATES (λ_D /CIE)	LUMINOUS INTENSITY (I_v)	MAX FORWARD VOLTAGE (V_f)	MAX FORWARD CURRENT (I_f)	VIEWING ANGLE
CL5SIRD	Red	Diffused	638nm	135mcd	1.8V	40mA	40°
CL5SIAD	Amber	Transparent	602nm	40mcd	2.6V	20mA	40°
CL5SIYD	Yellow	Diffused	588nm	19mcd*	2.1V	20mA	36°
CL5SIGD	Green	Diffused	565nm	20mcd*	2.1V	30mA	30°
CL5SIRGD	Red/green	Diffused Diffused	657nm 569nm	1.7mcd* 5.6mcd*	2.1V 2.1V	15mA 30mA	30° 30°

High brightness

PART NO.	COLOUR	LENS	DOMINANT WAVE LENGTH/ CIE COORDINATES (λ_D /CIE)	LUMINOUS INTENSITY (I_v)	MAX FORWARD VOLTAGE (V_f)	MAX FORWARD CURRENT (I_f)	VIEWING ANGLE
CL5HIRC	Red	Clear	631nm	1150mcd	1.9V	30mA	30°
CL5HIAC	Amber	Clear	592nm	7800mcd	2.4V	50mA	8°
CL5HIYC	Yellow	Clear	587nm	1700mcd	2.05V	30mA	15°
CL5HIGC	Green	Clear	571nm	980mcd	2.1V	30mA	22°
CL5HIBC	Blue	Clear	470nm	1900mcd	3.5V	30mA	15°
CL5HIWC	White	Clear	0.30, 0.30	13000mcd	3.3V	30mA	15°

I_v = typical luminous intensity at 20mA, except 10mA where indicated by *

Chromaticity coordinates (XY) derived from 1931 CIE chromaticity diagram



KEY FEATURES

Standard or bicolour | Diffused or clear lens | High efficiency

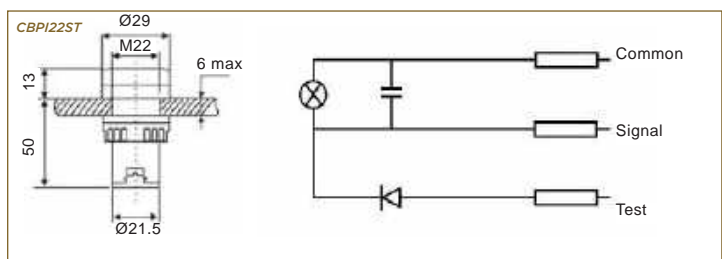
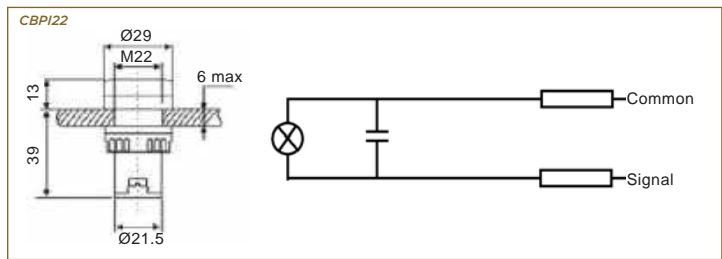


22mm panel indicators

Product overview

- Multi-chip LED technology
- Modern and effective replacement for traditional 22mm pilot lights
- Up to 400% more efficient than traditional incandescent indicators
- Brighter/lower power
- Back of panel lock nut fixing
- Screw clamp terminals
- Screw cover is colour coded to lens colour to aid identification during installation
- IP65 rated (front of panel)
- 4 voltage options (others available on request)
- Red, green, amber, white and blue lens colour options as standard
- 2 lens options available on request
- Black body available on request (standard on ST version)
- **CE** approved
- Available with self-test option

SPECIFICATION	
Colour	Red, green, amber, blue
Voltage	12V, 24V, 110V, 230V
Current rating	20mA
Number of chips (red/amber)	8
Number of chips (green/blue/white)	Pure 1
Wavelength green	6300nM
Wavelength amber	5600nM
Wavelength red	6600nM
Wavelength blue	470nM
White colour temperature	10659K
Degree of protection (front of panel)	IP65
Operating temperature	-25 °C-+55 °C
Relative humidity	≤85%
Life expectancy	30000 hours
Material: Plastic enclosure	PBT
Material: Legend plate	PBT
Flammability rating	UL94-V0



PART NO.	CBPI22	XX-	XXX/	XXX
CBPI22 series indicator	CBPI22			
ST	Self Test			
12V	12			
24V	24			
110V	110			
230V	230			
Lens colour: red	RD			
Lens colour: green	GRN			
Lens colour: amber	AMB			
Lens colour: white	WH			
Lens colour: blue	BLU			


E.g. CBPI22ST-230/BLU - Self test, 230V, blue
 CBPI22-230/AMB - Standard, 230V, amber

KEY FEATURES

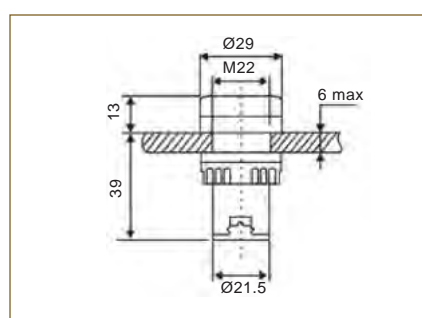
Standard or bicolour diffused option | Clear lens for high brightness | Efficient

22mm panel audible indicators

Product overview

- Flashing/audible indicator
- Low power and efficient LED technology
- Piezo sounder
- Up to 400% more efficient than traditional incandescent indicators
- Back of panel lock nut fixing
- Screw clamp terminals
- IP65 rated (front of panel)
- Space efficient short body style
- 2 voltage options
-  approved

SPECIFICATION	
Colour	Red
Voltage	24V, 230V
Sound	75-120dB
Flash frequency	1Hz
Wavelength Red	6600nm
Current rating	20mA
Operating temperature	-25°C-+55°C
Relative humidity	≤85%
Life expectancy	30000 hours
Material: Plastic enclosure	PBT
Material: Legend plate	PBT
Flammability rating	UL94-V0



PART NO.	CBPIFLB22	-XXX/	XX
CBPIFLB22 series indicator	CBPIFLB22		
24V	24		
230V	230		
Short body	RD		

E.g. CBPIFLB22-24/SH - 24V short body audible indicator

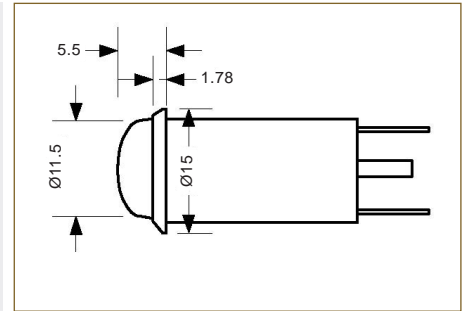
KEY FEATURES

Piezo sounder | Space saving body | IP65 from front of panel

504 05 series

Product overview

- Snap-fit body for panel thicknesses 0.5-3.5mm, panel cut-out 13mm diameter
- 6.3mm quick-connect terminals as standard
- Neons 240V 0.8mA, as standard
- Polycarbonate lens/body and brushed chrome bezel
- Maximum working temperature 105°C
- Red, green, amber lens colour options as standard



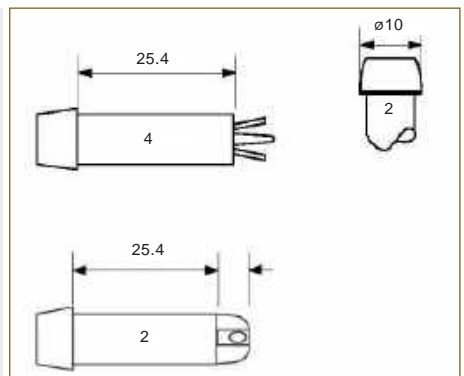
PART NO.	IND504	X	XX-	XXX-	T/	XXX
504 series indicator	504					
Lens type	2					
6.3mm quick-connect terminal	03					
Neon 240V 0.8mA, red wire	240					
Transparent lens	T					
Lens colour: red	RED					
Lens colour: green	GRN					
Lens colour: amber	AMB					

Eg. IND504203-240-T/RED - 240V red

503 A series

Product overview

- Press fit body for various panel thicknesses, panel cut-out 8mm diameter
- Available with solder tags and wire termination
- Operating life 50,000 hours
- Polycarbonate lens/body and brushed chrome bezel
- Maximum working temperature 80°C
- Red, green, amber lens colour options as standard
- Custom wire lengths and specification to order
- Removable collar fits to rear of panel for improved retention



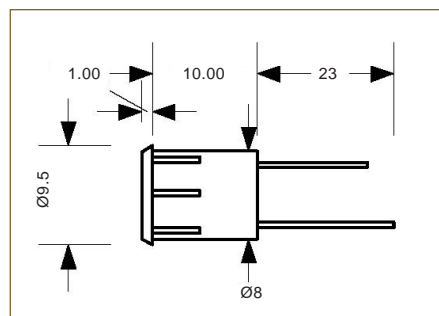
PART NO.	IND503	X	X-	XXX-	T/	XXX
503 series indicator	503					
Lens cylinder curved sides	2					
Stripped wire 280mm long	4					
Solder tag termination	2					
LED, neon-replacement, 240V 1mA	LED2					
Neon 125V 1mA, blue wire	125					
Neon 240V 0.8mA, red wire	240					
Transparent lens	T					
Lens colour: red	RED					
Lens colour: green	GRN					
Lens colour: amber	AMB					

Eg. IND50324-LED2-T/AMB - Curved lens, stripped wire termination, LED, amber

514 23-LED series

Product overview

- Current rating 10mA
- Press-fit body for various panel thickness, panel cut-out 8.0mm diameter
- LED pin termination, anode pin cut short
- Polycarbonate body/bezel and lens
- Red, green, amber and blue lens colour options as standard
- Maximum working temperature 105°C



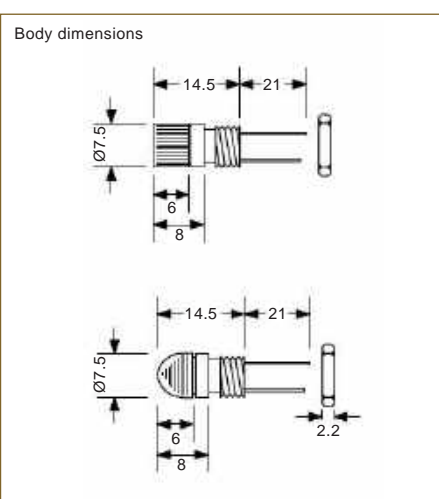
PART NO.	IND514	X	XX-	XXX-	T/	XXX
515 series indicator	514					
Lens type	1					
Pin termination	13					
LED, anode pin cut short	LED					
Transparent lens	T					
Lens colour: red	RED					
Lens colour: green	GRN					
Lens colour: amber	AMB					
Lens colour: blue	BLU					

E.g. IND514113-LED-T/GRN

509 M-LED series

Product overview

- Threaded body for panel thicknesses 0.5-2.5mm, panel cut-out 6.5mm diameter
- 3.2mm LED with pin termination, anode pin cut short
- Polycarbonate lens with 65° viewing angle
- Nickel plated brass body, supplied with nut and shakeproof washer
- Red, green and amber lens colour options as standard
- Maximum working temperature 80°C



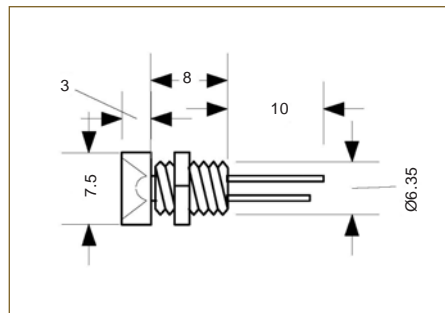
PART NO.	IND509	X	XX-	XXX-	T/	XXX
509 series indicator	509					
Lens cylinder flat	1					
Lens cylinder domed	2					
Pin termination	13					
LED, anode pin cut short	LED					
Transparent lens	T					
Lens colour: red	RED					
Lens colour: green	GRN					
Lens colour: amber	AMB					

E.g. IND509113-LED-T/RED

512 33-LED series

Product overview

- Current rating 10mA
- Threaded body for panel thicknesses 0.5-3.5mm, panel cut-out 6.5mm diameter
- 3.2mm LED with pin termination, anode pin cut short
- Chrome plated brass body/bezel, supplied with nut and shakeproof washer
- Red, green and amber lens colour options as standard
- Maximum working temperature 80°C



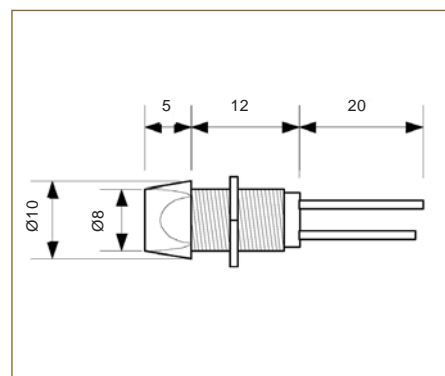
PART NO.	IND512	X	XX-	XXX-	T/	XXX
512 series indicator	512					
Lens type	1					
Pin termination	13					
LED, anode pin cut short	LED					
Transparent lens	T					
Lens colour: red	RED					
Lens colour: green	GRN					
Lens colour: amber	AMB					

E.g. IND514113-LED-T/GRN

513 34-LED series

Product overview

- Current rating 10mA
- Threaded body for panel thicknesses 0.5-3.5mm, panel cut-out 8.0mm diameter
- 5.0mm LED with pin termination, anode pin cut short
- Chrome plated brass body/bezel, supplied with nut and spring washer
- Red, green and amber lens colour options as standard
- Maximum working temperature 80°C



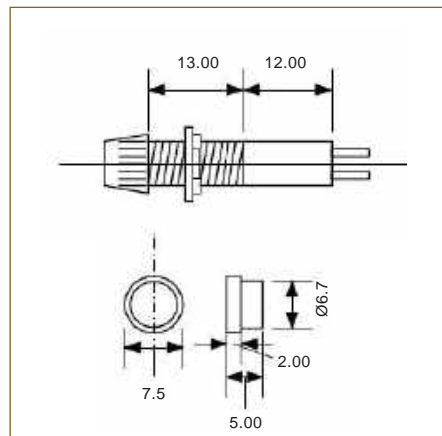
PART NO.	IND513	X	XX-	XXX-	T/	XXX
513 series indicator	513					
Lens type	1					
Pin termination	13					
LED, anode pin cut short	LED					
Transparent lens	T					
Lens colour: red	RED					
Lens colour: green	GRN					
Lens colour: amber	AMB					

E.g. IND509113-LED-T/RED

515 MPA series

Product overview

- Threaded body for panel thicknesses 0.5-3.5mm, panel cut-out 6.4mm diameter
- Stripped wire termination 164mm long, PVC stripped dimensions 10mm
- LED, Filament 6-28V 30-40mA and Neons 125-240V 0.8-1mA, as standard
- Neon-replacement LED version is fitted with a resistor and operates at 240V AC. Operating life 50,000 hours
- Polycarbonate lens/body, chrome bezel, supplied with nut and shakeproof washer
- Red, green, amber, clear and opal lens colour options as standard
- Maximum working temperature 105°C
- Custom wire lengths and specification to order



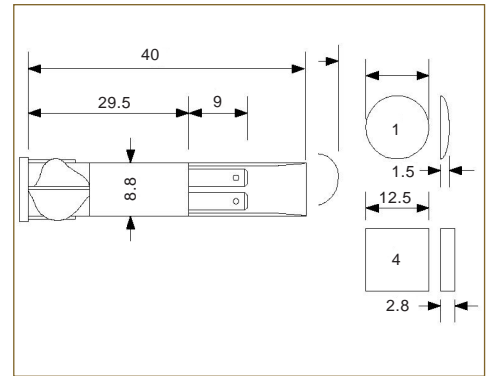
PART NO.	IND515	X	XX-	XXXX-	T/	XXX
515 Series Indicator	515					
Lens Type - Top Hat	2					
Stripped wire 164mm long	05					
LED pins	13					
LED, black cathode & white anode wires	LED					
LED, neon-replacement 240V 1mA	LED2					
Filament 6V 40mA, white wire	640					
Filament 12V 35mA, yellow wire	1235					
Filament 14V 40mA, yellow wire	1440					
Filament 24V 35mA, green wire	2435					
Filament 28V 25mA, green wire	2825					
Neon 125V 1mA, blue wire	125					
Neon 240V 0.8mA, red wire	240					
Transparent lens	T					
Lens colour: red	RED					
Lens colour: green	GRN					
Lens colour: amber	AMB					
Lens colour: clear	CLR					
Lens colour: opal	OPL					

Eg. IND515205-240-T/GRN - Top hat, Stripped wire, 240V, green

517 series

Product overview

- Snap-fit body for panel thicknesses 0.5-3.5mm, panel cut-out 9mm diameter
- Stripped 6mm wire termination 155mm long, PVC
- Polycarbonate lens and body
- Maximum working temperature 105°C
- Red, green, amber, colour options as standard
- Custom wire lengths and specification to order



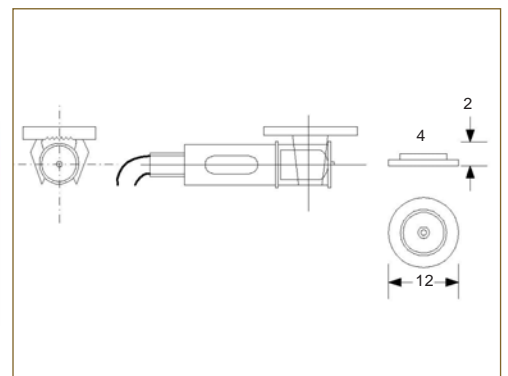
PART NO.	IND517	X	XX	X-	XXX-	T/	XXX
517 series indicator	517						
Lens 11mm circle domed	1						
Lens 12.5mm square	4						
Stripped wire 155mm long	05						
Polycarbonate body	P						
Neon 240V 0.8mA, red wire	240						
Transparent lens	T						
Lens colour: red	RED						
Lens colour: green	GRN						
Lens colour: amber	AMB						

E.g. IND517405P-240-T/RED - square lens, stripped wire, 240V neon, red

580 series

Product overview

- Snap-fit body for panel thicknesses 0.5-3.5mm, panel cut-out 9mm diameter
- Stripped 6mm wire termination 155mm long, PVC
- Polycarbonate lens and body
- Maximum working temperature 105°C
- Red, green, amber, colour options as standard
- Custom wire lengths and specification to order



PART NO.	IND580	X	XX-	XXX-	T/	XXX
580 series indicator	580					
Lens type	4					
Stripped wire 200mm long	05					
Neon 240V 0.8mA, red wire	240					
Transparent lens	T					
Lens colour: red	RED					
Lens colour: green	GRN					
Lens colour: amber	AMB					

E.g. IND580405-240-T/GRN - stripped wire, 240V, green



CAMDENBOSS

Case study

Micro:Bit

One of our leading enclosure distributors came to CamdenBoss with a request... design an enclosure for the BBC's Micro:bit.

The Micro:bit enclosure protects a 'world of learning' for children who wish to understand and practice coding. The tiny programmable computer is enhanced by an attractive but practical enclosure design.

The Micro:bit enclosure is an ergonomic, wearable solution manufactured in a variety of colours. Moulded from plastic, it is inexpensive and lightweight.

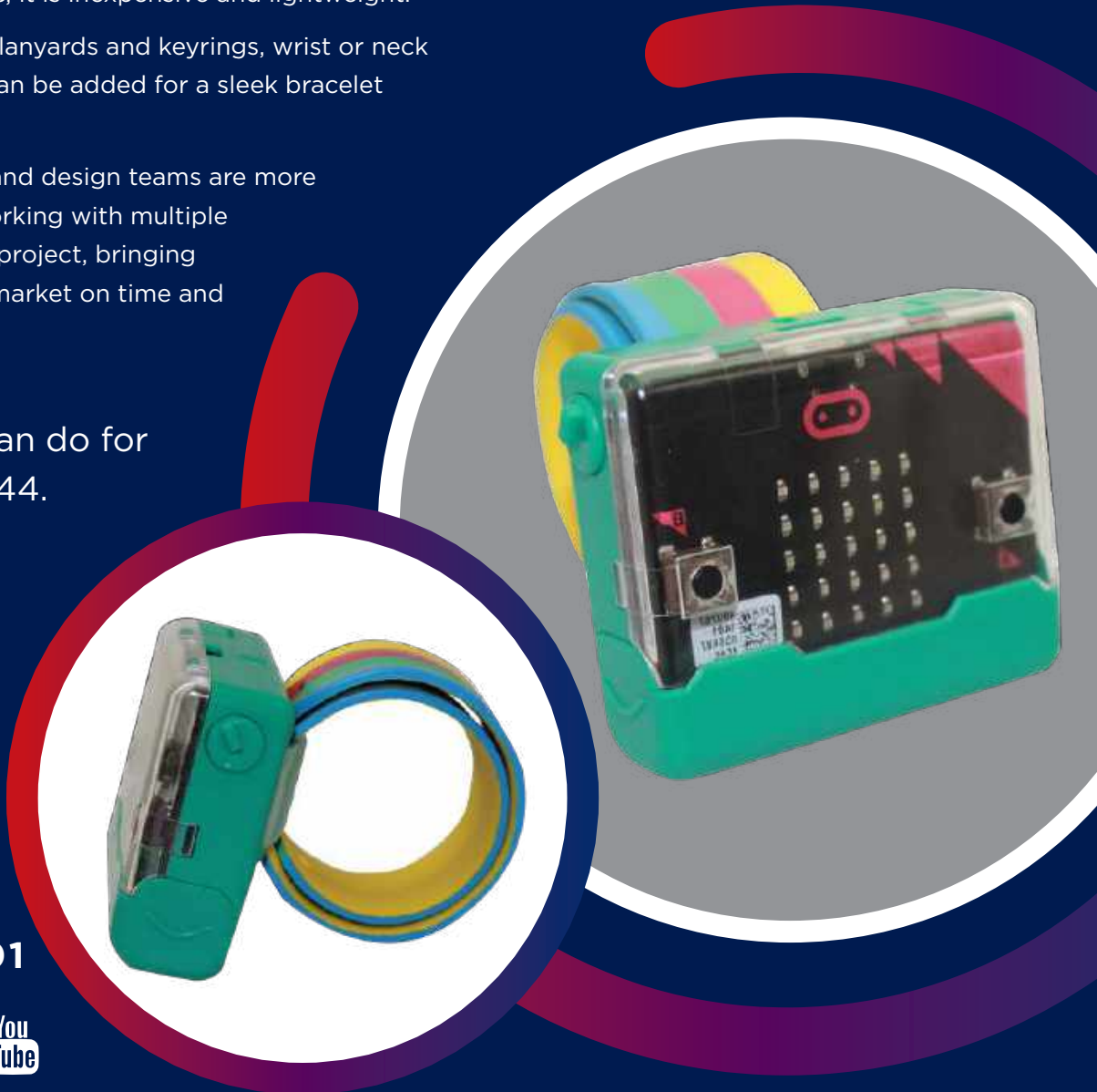
Featuring a loop for lanyards and keyrings, wrist or neck straps. 'Slapbands' can be added for a sleek bracelet style.

Our specialist sales and design teams are more than comfortable working with multiple partners on a single project, bringing design concepts to market on time and to budget.

See what we can do for you on page 444.

**CALL OUR
SALES
TEAM**

01638 716101



268
HANDHELD CASES

292
UNIVERSAL ENCLOSURES

318
HEAVY DUTY AND ELECTRICAL ENCLOSURES

342
DESKTOP AND INSTRUMENT CASES

348
DEVELOPMENT BOARD ENCLOSURES

367
ROOM SENSOR ENCLOSURES

370
CUSTOM SIZED ENCLOSURES

Plastic enclosures

HANDHELD ENCLOSURES	268
UNIVERSAL ENCLOSURES	292
HEAVY DUTY AND ELECTRICAL ENCLOSURES	318
DESKTOP AND INSTRUMENT CASES	342
DEVELOPMENT BOARD ENCLOSURES	348
ROOM SENSOR ENCLOSURES	367
CUSTOM SIZED ENCLOSURES	370

PLASTIC ENCLOSURES





268
HANDHELD CASES

292
UNIVERSAL ENCLOSURES

318
HEAVY DUTY AND ELECTRICAL ENCLOSURES

342
DESKTOP AND INSTRUMENT CASES

348
DEVELOPMENT BOARD ENCLOSURES

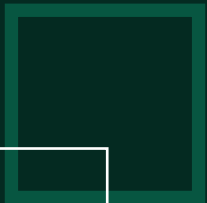
367
ROOM SENSOR ENCLOSURES

370
CUSTOM SIZED ENCLOSURES

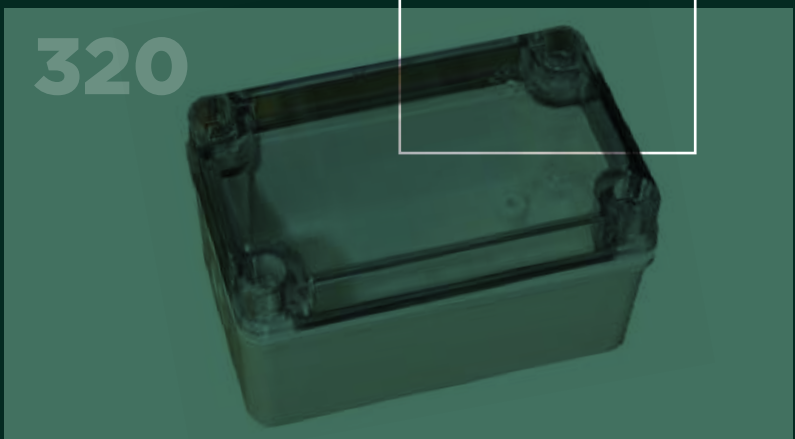
PLASTIC ENCLOSURES

267

355



320



368



317



305



HANDHELD CASES

A wide variety of handheld plastic enclosures suitable for applications such as measuring instruments, testing devices, wireless communication and medical devices.

292
UNIVERSAL
ENCLOSURES

318
HEAVY DUTY
AND ELECTRICAL
ENCLOSURES

342
DESKTOP AND
INSTRUMENT
CASES

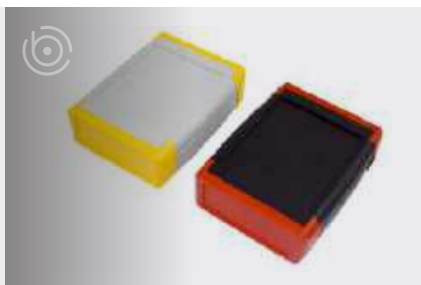
348
DEVELOPMENT
BOARD
ENCLOSURES

367
ROOM SENSOR
ENCLOSURES

370
CUSTOM SIZED
ENCLOSURES



62 series plastic keyfobs 270



64 series handheld cases 271



66 series rubber corner handheld enclosures 272



2910 series plastic handheld enclosures 274



2950 series IR pocket cases 275



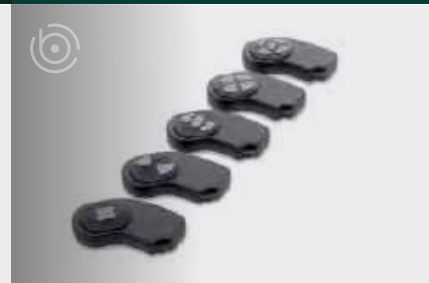
45 series rubber boot enclosures 276



2970 series ergo T-style cases 278



2955-20 series keyfobs with buttons 279



2955-40 series ergo keyfobs 280



2956 series eco keyfobs 281



2957 series eco keyfobs 282



80 series slim plastic enclosures 283

PLASTIC ENCLOSURES



81 series keyfobs **285**



87 series silicone cover enclosures **286**



90 series IP67 handheld enclosures **288**



93 series IP67 portable plastic keyfobs **290**

62 series plastic keyfobs

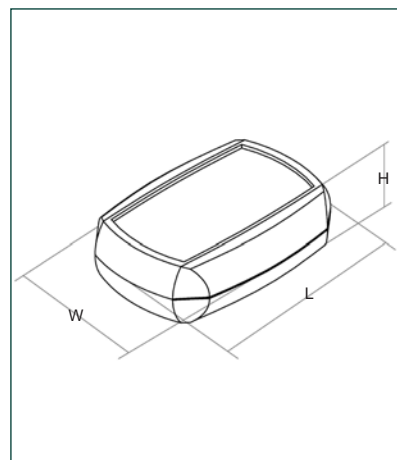
Product overview

Contemporary range of small robust handheld boxes with ergonomic rounded edges.

- Moulded in high impact ABS
- Snap-fit assembly
- Recesses in lid and base for membrane keypads or overlays
- Excellent properties for machining
- Keyring lug style available
- 62 series has been designed to meet the requirements of IP54 or additionally, IP65 with the optional gasket accessory



SPECIFICATION	
Material	Base and lid high impact ABS UL94-V0
Operating temperature	Resistant to temperatures of up to 80°C
Protection class	62 series has been designed to meet the requirements of IP54 or additionally, IP65 with the optional gasket accessory
Standard colours	Light grey similar to RAL 7035 Black similar to RAL 9004
Standard unit includes	Base and lid
Options	IP65 gasket



BLACK	LIGHT GREY	LENGTH	WIDTH	HEIGHT	STYLE
CHH621BLK	CHH621GRY	55mm	40mm	18mm	-
CHH622BLK	CHH622GRY	60mm	40mm	18mm	Keyring lug
CHH623BLK	CHH623GRY	70mm	50mm	20mm	-

KEY FEATURES

High impact ABS | Snap-fit assembly | Keyring lug style available



ACCESSORIES

62 series IP65 gasket

- IP65 protection



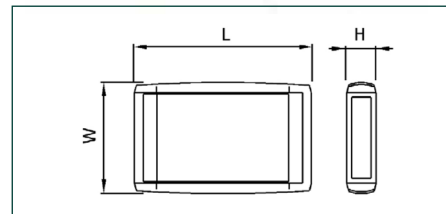
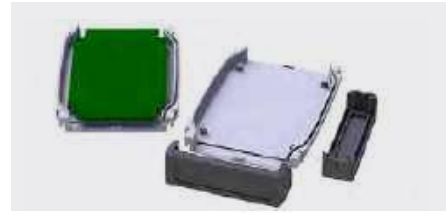
PART NO.	DESCRIPTION
CHH62GASK	62 series IP65 gasket

64 series handheld cases

Product overview

Multi-purpose snap-fit handheld enclosures designed for quick assembly.

- Moulded in high grade ABS, UL94-V0
- Lid and base snap-fit assembled via end caps
- Optional battery compartment lid M3 retaining screw
- Recesses in lid, base and end caps for membrane keypads or overlays
- PCB pillars in lid and base
- 64 series has been designed to meet the requirements of IP54 or additionally, IP65 with the optional gasket accessory



SPECIFICATION	
Material	Base and lid high grade ABS, UL94-V0
Operating temperature	Resistant to temperatures of up to 80°C
Protection class	64 series has been designed to meet the requirements of IP54 or additionally, IP65 with the optional gasket accessory
64 series standard colours	Top and base in grey RAL7035 and black RAL 9004 End caps-red, blue, yellow, green, orange, grey or black Custom colours available to order
Standard unit includes	Top and base (battery door and retaining screw style 2 and 4)
Options	End caps, battery compartments and IP65 gaskets supplied separately

BLACK	LIGHT GREY	LENGTH	WIDTH	HEIGHT	STYLE
CHH641NBK	CHH641NGY	100mm	80mm	20mm	-
CHH642BBK	CHH642BGY	100mm	80mm	30mm	Battery door
CHH643NBK	CHH643NGY	120mm	80mm	20mm	-
CHH644BBK	CHH644BGY	120mm	80mm	30mm	Battery door

KEY FEATURES

High grade ABS, UL94-V0 | Battery compartment | PCB pillars



ACCESSORIES

64 series IP65 gasket



PART NO.	DESCRIPTION
CHH64GASK	64 series IP65 gasket for optional battery compartment

Battery compartments



PART NO.	DESCRIPTION	COLOUR
CHHBAT1BK	Clip-in battery compartment PP3	Black
CHHBAT1GY	Clip-in battery compartment PP3	Grey
CHHBAT2BK	Clip-in battery compartment AA	Black
CHHBAT2GY	Clip-in battery compartment AA	Grey

Plastic end caps



PART NO.	COLOUR	DESCRIPTION
CHH64E1BL	Blue	To fit 20mm high cases
CHH64E1GR	Green	To fit 20mm high cases
CHH64E1RD	Red	To fit 20mm high cases
CHH64E1OR	Orange	To fit 20mm high cases
CHH64E1BK	Black	To fit 20mm high cases
CHH64E1YL	Yellow	To fit 20mm high cases
CHH64E1DG	Grey	To fit 20mm high cases

PART NO.	COLOUR	DESCRIPTION
CHH64E2BL	Blue	To fit 30mm high cases
CHH64E2GR	Green	To fit 30mm high cases
CHH64E2RD	Red	To fit 30mm high cases
CHH64E2OR	Orange	To fit 30mm high cases
CHH64E2BK	Black	To fit 30mm high cases
CHH64E2YL	Yellow	To fit 30mm high cases
CHH64E2DG	Grey-	To fit 30mm high cases



66 series rubber corner handheld enclosures

Product overview

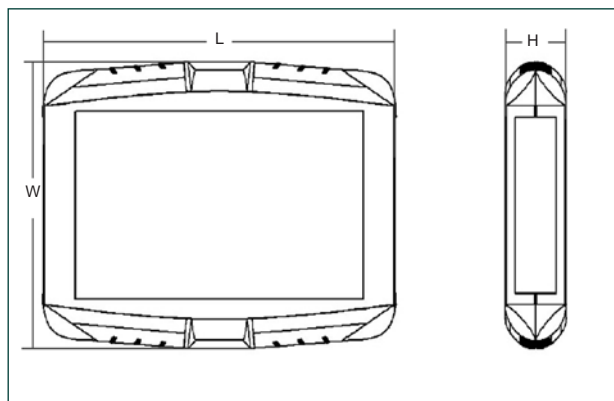
Innovative unique design for quick and easy assembly. Features soft-grip corners for added protection and ergonomic feel.

- Moulded in high impact ABS, UL94-V0
- Screwless assembly via four soft-grip corners
- Optional retaining screws for added security
- Battery compartment lid with M3 retaining screw
- Recesses in lid and base for membrane keypads or overlays
- PCB pillars in lid and base
- 66 series has been designed to meet the requirements of IP54 or additionally, IP65 with the optional gasket accessory

CHH66



SPECIFICATION	
Materials	Base and lid, front and back panels high impact ABS, UL94-V0. Soft-grip corners TPE coated polypropylene
Operating temperature	Resistant to temperatures of up to 80°C
Protection class	66 series has been designed to meet the requirements of IP54 or additionally, IP65 with the optional gasket accessory
Standard colours	Lid, base and panels light grey or black Soft-grip corners red, blue, yellow, green, orange, grey or black Custom colours available to order
Standard unit includes	25mm high Lid, base and panels 35mm high Lid, base and panels Battery door and retaining screw Soft-grip corners and battery compartment supplied separately
Options	Soft-grip coners and battery compartments supplied separately



BLACK	LIGHT GREY	LENGTH	WIDTH	HEIGHT	STYLE
CHH661NBK	CHH661NGY	145mm	95mm	25mm	-
CHH661BBK	CHH661BGY	145mm	95mm	25mm	Battery door
CHH662NBK	CHH662NGY	145mm	95mm	35mm	-
CHH662BBK	CHH662BGY	145mm	95mm	35mm	Battery door
CHH663NBK	CHH663NGY	185mm	110mm	25mm	-
CHH663BBK	CHH663BGY	185mm	110mm	25mm	Battery door
CHH664NBK	CHH664NGY	185mm	110mm	35mm	-
CHH664BBK	CHH664BGY	185mm	110mm	35mm	Battery door
CHH665NBK	CHH665NGY	200mm	120mm	25mm	-
CHH665BBK	CHH665BGY	200mm	120mm	25mm	Battery door
CHH666NBK	CHH666NGY	200mm	120mm	35mm	-
CHH666BBK	CHH666BGY	200mm	120mm	35mm	Battery door

* soft grip corners sold separately

KEY FEATURES

High impact ABS, UL94-V0 | Battery compartment | PCB pillars



ACCESSORIES

Soft-grip corners



PART NO.	COLOUR	DESCRIPTION	PART NO.	COLOUR	DESCRIPTION
CHH66CIBL	Blue	To fit 25mm high cases	CHH66C2BL	Blue	To fit 35mm high cases
CHH66CIGR	Green	To fit 25mm high cases	CHH66C2GR	Green	To fit 35mm high cases
CHH66CIRD	Red	To fit 25mm high cases	CHH66C2RD	Red	To fit 35mm high cases
CHH66CIOR	Orange	To fit 25mm high cases	CHH66C2OR	Orange	To fit 35mm high cases
CHH66CIBK	Black	To fit 25mm high cases	CHH66C2BK	Black	To fit 35mm high cases
CHH66CIYL	Yellow	To fit 25mm high cases	CHH66C2YL	Yellow	To fit 35mm high cases
CHH66CIGY	Grey	To fit 25mm high cases	CHH66C2GY	Grey	To fit 35mm high cases

Battery compartments



PART NO.	DESCRIPTION	COLOUR
CHHBAT1BK	Clip-in battery compartment PP3	Black
CHHBAT1GY	Clip-in battery compartment PP3	Grey
CHHBAT2BK	Clip-in battery compartment AA	Black
CHHBAT2GY	Clip-in battery compartment AA	Grey

66 Series IP65 gasket

- IP65 protection



PART NO.	DESCRIPTION
CHH66GSKT	66 Series IP65 gasket

292
UNIVERSAL ENCLOSURES

318
HEAVY DUTY AND ELECTRICAL ENCLOSURES

342
DESKTOP AND INSTRUMENT CASES

348
DEVELOPMENT BOARD ENCLOSURES

367
ROOM SENSOR ENCLOSURES

370
CUSTOM SIZED ENCLOSURES

2910 series plastic handheld enclosures

Product overview

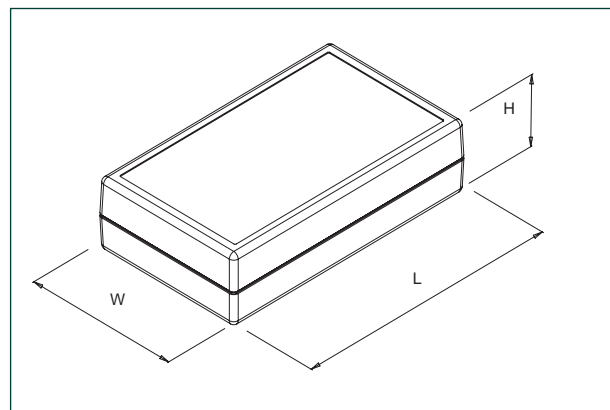
Functional hand-held ABS cases with recessed lid and a battery compartment.

- Lid and base moulded in high grade ABS
- Lid secured by four M3 machine screws
- Snap-on battery compartment lid
- Battery compartment with space for two AA, AAA or one PP3 battery
- PCB pillars in base
- Recess in lid for membrane keypads or overlays
- 2910 series has been designed to meet the requirements of IP54



SPECIFICATION	
Materials	Base and lid and battery lid in high grade ABS UL94-V0
Operating temperature	Resistant to temperatures of up to 80°C
Protection class	2910 series has been designed to meet the requirements of IP54
Standard colours	Light grey similar to RAL 7035 or black similar to RAL 9004
Standard unit includes	Base and lid Battery compartment lid 4 x M3 machine screws 4 x self-tapping PCB screws

BLACK	GREY	LENGTH	WIDTH	HEIGHT
CHHMC01BK	CHHMC01GY	105mm	61mm	28mm
CHHMC02BK	CHHMC02GY	145mm	80mm	34mm



KEY FEATURES

High grade ABS | Battery compartment | PCB pillars



2950 series IR pocket cases

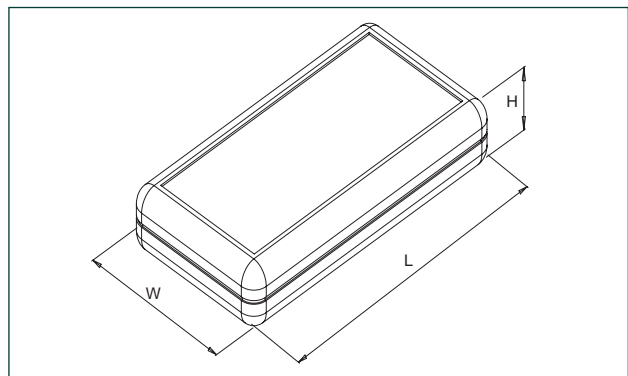
Product overview

Low-profile enclosures with battery compartment and interchangeable front panel for test and measurement equipment, remote controls and wireless technology.

- Moulded in high impact ABS or UL94-V0 ABS
- Low profile moulding
- Pocket sized cases
- Recesses top and base
- Snap-on battery compartment
- PCB pillars in lid and base
- 2950 series has been designed to meet the requirements of IP54



SPECIFICATION		
Materials	2950 - 39 2950 - 39UL 2950 - 89	High impact ABS UL94-V0 ABS High impact ABS
Protection class	2950 series has been designed to meet the requirements of IP54	
Standard colours	Light grey similar to RAL 9002 Black similar to RAL 9004	
Standard unit includes	Base and lid ABS front panel 4x M3 machine screws	
Options	Battery contact kit	



BLACK	LIGHT GREY	LENGTH	WIDTH	HEIGHT	MATERIAL	STYLE
2950-39B	2950-39G	135mm	70mm	24mm	ABS	Battery compartment
2950-39BUL	2950-39GUL	135mm	70mm	24mm	ABS	Battery compartment
-	2950-89G	172mm	77mm	25mm	ABS	-

KEY FEATURES

High impact ABS, UL94-V0 | Pocket sized cases | PCB pillars



ACCESSORIES

Battery contact kit

- AA size battery contact kit push-fit into pre-moulded pillars inside the case



PART NO.	DESCRIPTION
2950-310	Battery contact kit

292
UNIVERSAL ENCLOSURES

318
HEAVY DUTY AND ELECTRICAL ENCLOSURES

342
DESKTOP AND INSTRUMENT CASES

348
DEVELOPMENT BOARD ENCLOSURES

367
ROOM SENSOR ENCLOSURES

370
CUSTOM SIZED ENCLOSURES

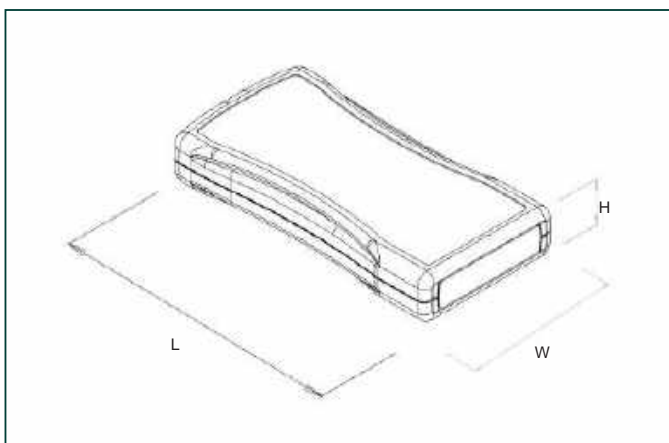
PLASTIC ENCLOSURES

45 series rubber boot enclosures

Product overview

Ergonomically designed range of handheld enclosures, with battery compartment and rubber boot options.

- Moulded in UL94-5VA flame retardant ABS
- Lid retained by four self-tapping screws
- Removable end panel for ease of access and ideal for machining
- ABS end panel version as standard
- Sliding lid battery compartment options for AA or 9V PP3 batteries (contacts/strap included)
- Textured lid versions for consistent all over surface finish
- Smooth recess lid version for membrane keypads or overlays
- PCB pillars moulded in lid and base, screws available to order
- Recess in base for product labels
- 45 series has been designed to meet the requirements of IP54



SPECIFICATION	
Materials	Base, lid and end-panel in UL94-5VA ABS
Operating temperature	Resistant to temperatures of up to 80°C
Protection class	45 series has been designed to meet the requirements of IP54
Standard colours	Black as standard Ivory on request
Standard unit includes	Lid, base, end-panel and battery-lid 4x self-tapping screws Battery contacts/strap (+foam pad with 9V)
Options	Rubber boot (various colours)



AA battery compartment

TEXTURED LID	RECESSED LID	SIZE	LENGTH	WIDTH	HEIGHT
CHH451ABK	CHH456ABK	1	117.5mm	72.5mm	25.5mm
CHH452ABK	CHH457ABK	2	139.5mm	82.5mm	26mm
CHH453ABK	CHH458ABK	3	165mm	82.5mm	26mm



9V PP3 battery compartment

TEXTURED LID	RECESSED LID	SIZE	LENGTH	WIDTH	HEIGHT
CHH451PBK	CHH456PBK	1	117.5mm	72.5mm	25.5mm
CHH452PBK	CHH457PBK	2	139.5mm	82.5mm	26mm
CHH453PBK	CHH458PBK	3	165mm	82.5mm	26mm



No battery compartment

TEXTURED LID	RECESSED LID	SIZE	LENGTH	WIDTH	HEIGHT
CHH451NBK	CHH456NBK	1	117.5mm	72.5mm	25.5mm
CHH452NBK	CHH457NBK	2	139.5mm	82.5mm	26mm
CHH453NBK	CHH458NBK	3	165mm	82.5mm	26mm

ACCESSORIES

Silicone rubber boot

- Flexible open faced removable silicone rubber boot
- Fits tightly over base, sides and around edges of lid
- Belt strap incorporated into back, covers battery compartment
- Suitable for any battery compartment, with textured or recessed lid
- Available in all three sizes, in blue, red and black

BLACK	RED	BLUE	SIZE
CHH451BBK	CHH451BRD	CHH451BBL	1
CHH452BBK	CHH452BRD	CHH452BBL	2
CHH453BBK	CHH453BRD	CHH453BBL	3



292
UNIVERSAL
ENCLOSURES

318
HEAVY DUTY
AND ELECTRICAL
ENCLOSURES

342
DESKTOP AND
INSTRUMENT
CASES

348
DEVELOPMENT
BOARD
ENCLOSURES

367
ROOM SENSOR
ENCLOSURES

370
CUSTOM SIZED
ENCLOSURES

2970 series ergo T-style cases

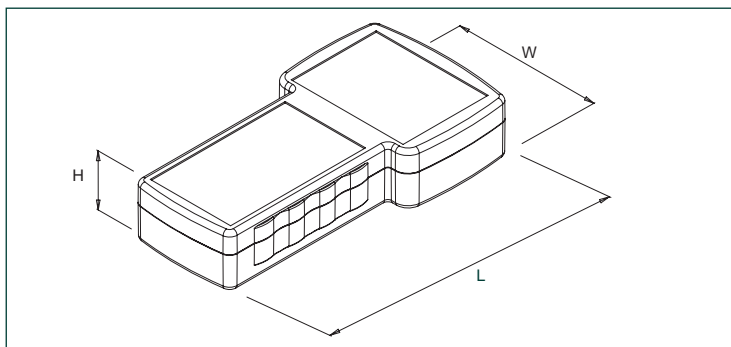
Product overview

Ergonomic 'T'-style hand-held enclosure with LCD display cut-out and battery compartment options and membrane keypad recess in lid.

- Moulded in high impact ABS
- Large LCD cut-out area (optional)
- Available with or without battery compartment for 2x AA batteries
- Recesses in lid for membrane keypads or overlays
- Removable tilt stand which is suitable for surface mounting supplied as standard
- 2970 series has been designed to meet the requirements of IP54 or additionally, IP65 with the optional gasket accessory



SPECIFICATION	
Materials	Base, lid and tilt stand high impact ABS
Protection class	2970 series has been designed to meet the requirements of IP54 or additionally, IP65 with the optional gasket accessory
Standard colours	Light grey or black
Standard unit includes	Lid, base, tilt stand and screws
Options	EPDM gasket for IP65 seal



BLACK	LIGHT GREY	LENGTH	WIDTH	HEIGHT	STYLE	
2970-28BS	2970-28GS	210mm	110mm	41mm	-	-
2970-28BO	2970-28GO	210mm	110mm	41mm	cut-out display	-
2970-28BSBC	2970-28GSBC	210mm	110mm	41mm	-	Battery compartment
2970-28BOBC	2970-28GOBC	210mm	110mm	41mm	cut-out display	Battery compartment

KEY FEATURES

LCD display cut-out | Battery compartment | High impact ABS



ACCESSORIES

2970 series IP65 gasket



PART NO.	DESCRIPTION
2970-28GSKT	2970 Series IP65 gasket

2955-20 series keyfobs with buttons

Product overview

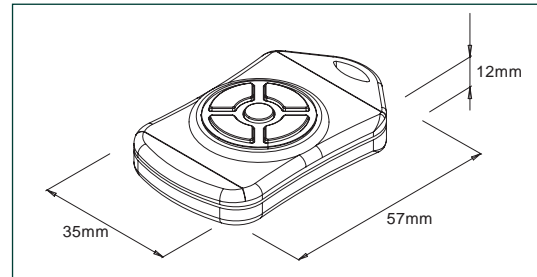
ABS keyfobs with round 1-to-5 rubber button layout.

- Moulded in ABS
- Snap-fit assembly of lid and base
- 1-to-5 rubber buttons with contact pads
- Enclosed battery compartment for coin cells
- Eyelet for keyring



BLACK	DESCRIPTION
2955-20R-1	1 button
2955-20R-2	2 button
2955-20R-3	3 button
2955-20R-4	4 button
2955-20R-5	5 button

SPECIFICATION	
Materials	Base, lid and adaptor ABS Push buttons silicone
Standard colours	Base, lid and adaptor black similar to RAL 9004 Push buttons light grey similar to RAL 7037
Standard unit includes	Base and lid Push-button insert Button adaptor



KEY FEATURES

Rubber button layout | Battery compartment | High impact ABS

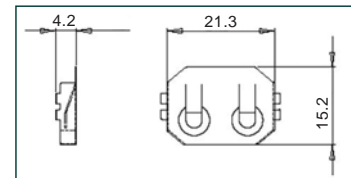


ACCESSORIES

2955 series battery holder

- Spring steel nickel-plated battery holder
- CR2032 battery compartment type
- Fits 20mm coin cell lithium type battery (not included)

PART NO.	DESCRIPTION
2955-BATT-HDR	20mm coin cell battery holder



292
UNIVERSAL
ENCLOSURES

318
HEAVY DUTY
AND ELECTRICAL
ENCLOSURES

342
DESKTOP AND
INSTRUMENT
CASES

348
DEVELOPMENT
BOARD
ENCLOSURES

367
ROOM SENSOR
ENCLOSURES

370
CUSTOM SIZED
ENCLOSURES

PLASTIC ENCLOSURES

2955-40 series ergo keyfobs

Product overview

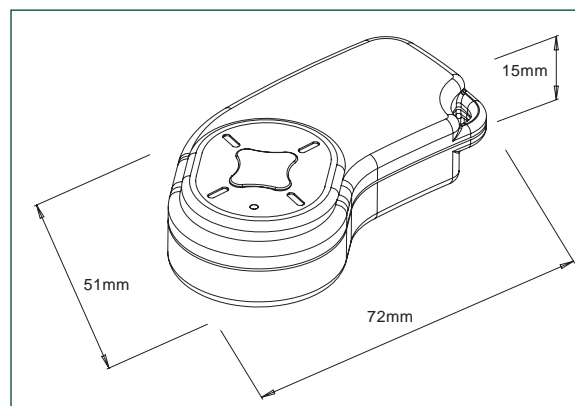
Ergonomically shaped ABS keyfobs with 1-to-5 rubber buttons and clear LED window.

- Moulded in ABS
- Snap-fit assembly of lid and base
- 1 to 5 ergonomically shaped rubber buttons with contact pads
- Base incorporates a separate enclosed battery
- Compartment for coin cells
- Eyelet for keyring
- Clear silicone LED window



SPECIFICATION	
Materials	Base, lid and adaptor ABS Push buttons silicone
Standard colours	Base, lid and adaptor black similar to RAL 9004 Push buttons light grey similar to RAL 7037
Standard unit includes	Base and lid Push-button insert Button adaptor

BLACK	DESCRIPTION
2955-40R-1	1 button
2955-40R-2	2 button
2955-40R-3	3 button
2955-40R-4	4 button
2955-40R-5	5 button



KEY FEATURES

Snap-fit assembly | Eyelet for keyring | Moulded in ABS

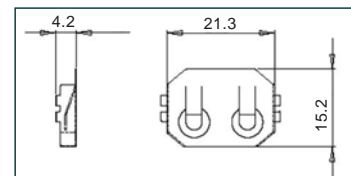


ACCESSORIES

2955 series battery holder

- Spring steel nickel-plated battery holder
- CR2032 battery compartment type
- Fits 20mm coin cell lithium type battery (not included)

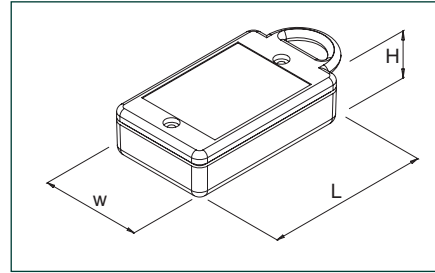
PART NO.	DESCRIPTION
2955-BATT-HDR	20mm coin cell battery holder



2956 series eco keyfobs

Product overview

- Economic keyfob with label recess in lid
- Moulded in ABS
- Blank keyfob case (without buttons)
- Small eyelet for keyring



SPECIFICATION	
Materials	Lid and base ABS
Standard colours	Black similar to RAL 9004
Standard unit includes	Lid and base 2x screws

BLACK	LENGTH	WIDTH	HEIGHT
2956	53mm	33mm	15mm

KEY FEATURES

Economic | Eyelet for keyring | Moulded in ABS



292
UNIVERSAL
ENCLOSURES

318
HEAVY DUTY
AND ELECTRICAL
ENCLOSURES

342
DESKTOP AND
INSTRUMENT
CASES

348
DEVELOPMENT
BOARD
ENCLOSURES

367
ROOM SENSOR
ENCLOSURES

370
CUSTOM SIZED
ENCLOSURES

PLASTIC ENCLOSURES

2957 series eco keyfobs

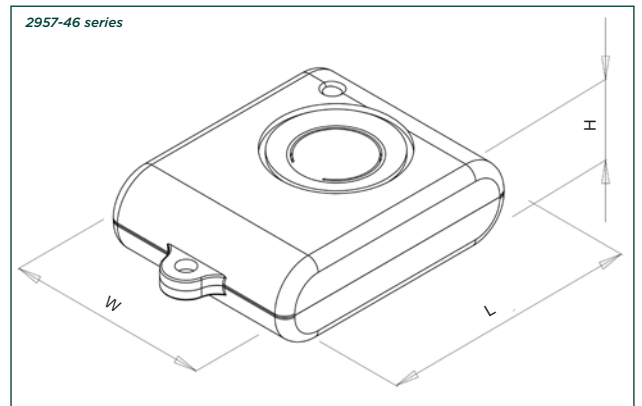
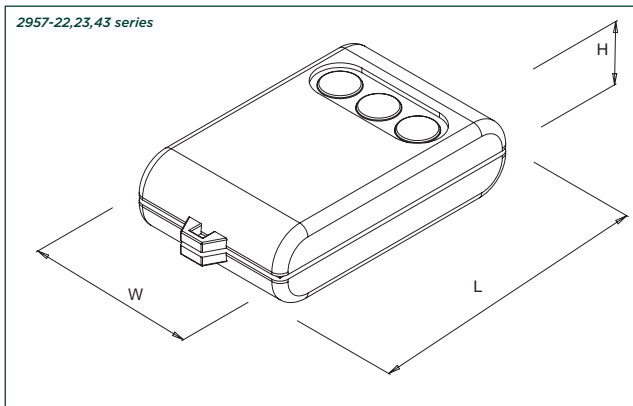
Product overview

Economic ABS keyfobs with 1-to-3 plastic button or one control button layout.

- Moulded in ABS
- One central button or 1-to-3 button layouts
- Snap-fit assembly of lid and base
- Small eyelet for keyring



SPECIFICATION		BLACK	LENGTH	WIDTH	HEIGHT	DESCRIPTION
Materials	Base, lid ABS and buttons	2957-22	57mm	36mm	16mm	1 button
Standard colours	Base and lid black similar to RAL 9004 Push buttons combinations of red, black and blue	2957-23	57mm	36mm	16mm	2 button
Standard unit includes	Base, lid and push buttons	2957-43	57mm	36mm	16mm	3 button
		2957-46	45mm	35.6mm	14mm	1 button - large



KEY FEATURES

Snap-fit assembly | Eyelet for keyring | 1-to-3 button layouts



80 series slim plastic enclosures



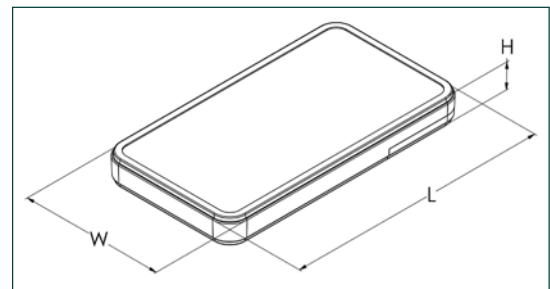
Product overview

Small ABS handheld enclosures with battery compartment and rubber boot options.

- Moulded in UL94-HB ABS
- Lid secured by four self-tapping screws
- Battery compartment options include contacts for CR2032
- Three sizes available
- Optional rubber case, open or closed variations
- Recess in base for product labels, keypads and overlays
- 80 series has been designed to meet the requirements of IP40



SPECIFICATION	
Material	Base and lid in UL94-HB ABS
Operating temperature	-10°C to +60°C
Standard colours	Black or white
Protection class	80 series has been designed to meet the requirements of IP40
Standard unit includes	Base, lid and battery-lid 4x M1.6 steel screws Battery contact
Options	Rubber boot PCB Wrist and neck straps



Without battery compartment

SIZE	BLACK	WHITE	LENGTH	WIDTH	HEIGHT	DESCRIPTION
1	CHH801NBK	CHH801NWH	75mm	35mm	12mm	No battery compartment
2	CHH802NBK	CHH802NWH	90mm	45mm	12mm	No battery compartment
3	CHH803NBK	CHH803NWH	115mm	63mm	12mm	No battery compartment

With battery compartment

SIZE	BLACK	WHITE	LENGTH	WIDTH	HEIGHT	DESCRIPTION
1	CHH801BBK	CHH801BWH	75mm	35mm	12mm	1x CR2032 battery compartment
2	CHH802BBK	CHH802BWH	90mm	45mm	12mm	1x CR2032 battery compartment
3	CHH803BBK	CHH803BWH	115mm	63mm	12mm	2x CR2032 battery compartment

KEY FEATURES

UL94-HB ABS | Options for CR2032 batteries | 3 sizes available



292
UNIVERSAL
ENCLOSURES

318
HEAVY DUTY
AND ELECTRICAL
ENCLOSURES

342
DESKTOP AND
INSTRUMENT
CASES

348
DEVELOPMENT
BOARD
ENCLOSURES

367
ROOM SENSOR
ENCLOSURES

370
CUSTOM SIZED
ENCLOSURES

PLASTIC ENCLOSURES

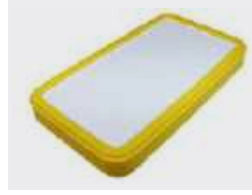




ACCESSORIES

Rubber boots

- Flexible open faced removable silicone rubber boot
- Fits tightly over base, sides and around edges of lid
- Option of open end boot
- Available in three sizes; black, blue and yellow



PART NO.	LENGTH	WIDTH	HEIGHT	DESCRIPTION
CHH80BABK	78.6mm	38.6mm	15.5mm	Rubber case, size 1, closed, black
CHH80BBBK	78.6mm	38.6mm	15.5mm	Rubber case, size 1, open, black
CHH80BABL	78.6mm	38.6mm	15.5mm	Rubber case, size 1, closed, blue
CHH80BBBL	78.6mm	38.6mm	15.5mm	Rubber case, size 1, open, blue
CHH80BAYL	78.6mm	38.6mm	15.5mm	Rubber case, size 1, closed, yellow
CHH80BBYL	78.6mm	38.6mm	15.5mm	Rubber case, size 1, open, yellow
CHH80BCBK	93.6mm	48.6mm	15.5mm	Rubber case, size 2, closed, black
CHH80BDBK	93.6mm	48.6mm	15.5mm	Rubber case, size 2, open, black
CHH80BCBL	93.6mm	48.6mm	15.5mm	Rubber case, size2, closed, blue
CHH80BDBL	93.6mm	48.6mm	15.5mm	Rubber case, size 2, open, blue
CHH80BCYL	93.6mm	48.6mm	15.5mm	Rubber case, size 2, closed, yellow
CHH80BDYL	93.6mm	48.6mm	15.5mm	Rubber case, size 2, open, yellow
CHH80BEBK	119.1mm	67.1mm	16mm	Rubber case, size 3, closed, black
CHH80FBK	119.1mm	67.1mm	16mm	Rubber case, size 3, open, black
CHH80EBL	119.1mm	67.1mm	16mm	Rubber case, size 3, closed, blue
CHH80FBL	119.1mm	67.1mm	16mm	Rubber case, size 3, open, blue
CHH80EYL	119.1mm	67.1mm	16mm	Rubber case, size 3, closed, yellow
CHH80FYL	119.1mm	67.1mm	16mm	Rubber case, size 3, open, yellow

PCB

- Exclusive PCB board for the 80 series slim plastic enclosure
- Glass epoxy board (FR-4), through-holes on both sides and 2.54mm hole pitch
- Prepared holes for the battery contact



PART NO.	LENGTH	WIDTH	HEIGHT	DESCRIPTION
CHH80PCB1	68.9mm	28.9mm	1mm	PCB board for size 1 enclosure
CHH80PCB2	83.9mm	38.9mm	1mm	PCB board for size 2 enclosure
CHH80PCB3	108.9mm	56.9mm	1mm	PCB board for size 3 enclosure

Wrist straps

- Wrist straps for 80 series slim plastic enclosure, available in six colours pink, yellow, green, blue, grey and black.



PINK	YELLOW	GREEN	BLUE	LIGHT GREY	BLACK	LENGTH	WIDTH
CHHWRSTPK	CHHWRSTYL	CHHWRSTGR	CHHWRSTBL	CHHWRSTLG	CHHWRSTBK	140mm	8mm

Neck straps

- Neck straps for the slim plastic enclosure, available in six colours pink, yellow, green, blue, grey and black.
- Neck strap comes with quick release joint



PINK	YELLOW	GREEN	BLUE	LIGHT GREY	BLACK	LENGTH	WIDTH
CHHNECKPK	CHHNECKYL	CHHNECKGR	CHHNECKBL	CHHNECKLG	CHHNECKBK	450mm	10mm

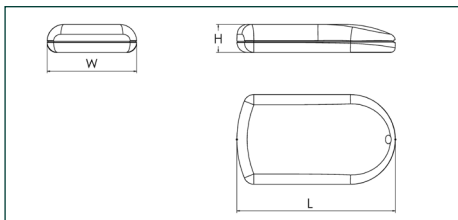
81 series keyfobs



Product overview

Small ABS handheld enclosures, for wireless remote control and RFID type products.

- Tactile handheld fob box
- Snaps together without the need for screws
- Ergonomic design
- Comfortable shape
- Holes for strap or lanyard
- Colours available, white and black as standard, blue, green and pink upon request
- PCB pillars
- 81 series has been designed to meet the requirements of IP40



SPECIFICATION	
Material	Base and lid ABS UL94-HB
Operating temperature	-10°C to +60°C
Standard colours	Black or white
Protection class	81 series has been designed to meet the requirements of IP40
Standard unit includes	Base and lid

PART NO.	LENGTH	WIDTH	HEIGHT	COLOUR
CHH81E1WH	65mm	35mm	11mm	White
CHH81E1BK	65mm	35mm	11mm	Black
CHH81E2WH	85mm	48mm	15mm	White
CHH81E2BK	85mm	48mm	15mm	Black
CHH81E3WH	50mm	50mm	14mm	White
CHH81E3BK	50mm	50mm	14mm	Black
CHH81E4WH	100mm	58mm	18mm	White
CHH81E4BK	100mm	58mm	18mm	Black

Wrist straps

- Wrist straps for 81 series slim plastic enclosure, available in six colours pink, yellow, green, blue, grey and black.



PINK	YELLOW	GREEN	BLUE	LIGHT GREY	BLACK	LENGTH	WIDTH
CHHWRSTPK	CHHWRSTYL	CHHWRSTGR	CHHWRSTBL	CHHWRSTLG	CHHWRSTBK	140mm	8mm

Neck straps

- Neck straps for the slim plastic enclosure, available in six colours.
- Neck strap comes with quick release joint



PINK	YELLOW	GREEN	BLUE	LIGHT GREY	BLACK	LENGTH	WIDTH
CHHNECKPK	CHHNECKYL	CHHNECKGR	CHHNECKBL	CHHNECKLG	CHHNECKBK	450mm	10mm

KEY FEATURES

Ergonomic design | Snap-in assembly | PCB pillars



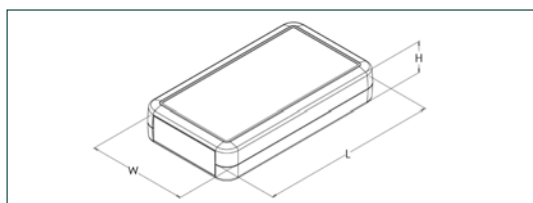
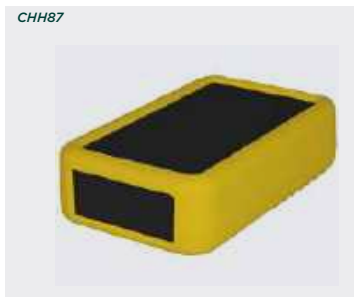
87 series silicone cover enclosures



Product overview

Handheld enclosure, suitable for measuring instruments, testing devices, wireless communication devices, medical devices etc.

- Available in nine sizes, with or without moulded battery compartments (further battery compartment options available upon request)
- Recess to front for keypads and labels
- Removable end panel
- Silicone boots available
- Silicone shockproof cover accessory also available
- Available in two colours: off-white and dark grey
- 87 series has been designed to meet the requirements of IP40



SPECIFICATION	
Materials	Base and lid high impact ABS-UL94-V0
Operating temperature	-10°C to +60°C
Standard colours	Off-white and dark grey
Protection class	87 series has been designed to meet the requirements of IP40
Standard unit includes	Self-tapping screw, base and lid
Options	Silicone case available in multiple colours

With battery compartment

SIZE	DARK GREY	OFF-WHITE	LENGTH	WIDTH	HEIGHT	BATTERY COMPARTMENT
1	CHH871DGA	CHH871WHA	115mm	69mm	19.5mm	2 x AAA battery size
2	CHH872DGB	CHH872WHB	115mm	69mm	28mm	2 x AA battery size
3	CHH873DGB	CHH873WHB	135mm	76mm	27mm	2 x AA battery size
4	CHH874DGB	CHH874WHB	135mm	76mm	35mm	2 x AA battery size
5	CHH875DGC	CHH875WHC	165mm	80mm	27mm	4 x AA battery size
6	CHH876DGC	CHH876WHC	165mm	80mm	35mm	4 x AA battery size
7	CHH877DGD	CHH877WHD	145mm	96mm	20mm	6 x AAA battery size
8	CHH878DGD	CHH878WHD	145mm	96mm	27mm	6 x AAA battery size
8	CHH878DGB	CHH878WHB	145mm	96mm	27mm	2 x AA battery size
8	CHH878DGC	CHH878WHC	145mm	96mm	27mm	4 x AA battery size
9	CHH879DGD	CHH879WHD	145mm	96mm	35mm	6 x AAA battery size
9	CHH879DGB	CHH879WHB	145mm	96mm	35mm	2 x AA battery size
9	CHH879DGC	CHH879WHC	145mm	96mm	35mm	4 x AA battery size

Without battery compartment

SIZE	DARK GREY	OFF-WHITE	LENGTH	WIDTH	HEIGHT
1	CHH871DGN	CHH871WHN	115mm	69mm	19.5mm
2	CHH872DGN	CHH872WHN	115mm	69mm	28mm
3	CHH873DGN	CHH873WHN	135mm	76mm	27mm
4	CHH874DGN	CHH874WHN	135mm	76mm	35mm
5	CHH875DGN	CHH875WHN	165mm	80mm	27mm
6	CHH876DGN	CHH876WHN	165mm	80mm	35mm
7	CHH877DGN	CHH877WHN	145mm	96mm	20mm
8	CHH878DGN	CHH878WHN	145mm	96mm	27mm
9	CHH879DGN	CHH879WHN	145mm	96mm	35mm

KEY FEATURES

9 sizes | Battery contacts supplied | Silicone covers available



ACCESSORIES

Silicone cover

- Flexible open faced removable silicone rubber cover in seven colours
- Fits tightly over base, sides and around edges of lid
- Custom colours available from MOQ 500 pcs per order, just provide us with your pantone colour
- Rubber boots can be customised
- Open end

SIZE	PART NO.	LENGTH	WIDTH	HEIGHT	DESCRIPTION
1	CHH87C1*	120mm	74mm	24mm	Fits enclosure size 1
2	CHH87C2*	120mm	74mm	32.5mm	Fits enclosure size 2
3	CHH87C3*	141mm	81mm	32mm	Fits enclosure size 3
4	CHH87C4*	141mm	81mm	40mm	Fits enclosure size 4
5	CHH87C5*	171mm	85mm	32mm	Fits enclosure size 5
6	CHH87C6*	171mm	85mm	40mm	Fits enclosure size 6
7	CHH87C7*	151mm	101mm	25mm	Fits enclosure size 7
8	CHH87C8*	151mm	101mm	32mm	Fits enclosure size 8
9	CHH87C9*	151mm	101mm	40mm	Fits enclosure size 9

* Please add suffix
RD= Red; YL= Yellow; BL= Blue; DG= Dark grey; GN=Green; LG=Light grey; NY= Navy



Red

Yellow

Blue

Dark grey

Green

Light grey

Navy

Shock-proof silicone covers

- Shock proof silicone cover, five colours and nine sizes
- Flexible open faced removable silicone cover
- Fits tightly over base, sides and around edges of lid
- Custom colours available, just provide us with your pantone/RAL colour (MOQ applies)
- Open end

SIZE	PART NO.	LENGTH	WIDTH	HEIGHT	DESCRIPTION
1	CHH87SP1*	121.9mm	76mm	28mm	Fits enclosure size 1
2	CHH87SP2*	121.9mm	76mm	36.5mm	Fits enclosure size 2
3	CHH87SP3*	143.9mm	85mm	40mm	Fits enclosure size 3
4	CHH87SP4*	143.9mm	85mm	48mm	Fits enclosure size 4
5	CHH87SP5*	173.9mm	89mm	40mm	Fits enclosure size 5
6	CHH87SP6*	173.9mm	89mm	48mm	Fits enclosure size 6
7	CHH87SP7*	153.9mm	105mm	33mm	Fits enclosure size 7
8	CHH87SP8*	153.9mm	105mm	40mm	Fits enclosure size 8
9	CHH87SP9*	153.9mm	105mm	48mm	Fits enclosure size 9

* Please add suffix
GN=Green; OR=Orange; NY= Navy; LG=Light grey; DG= Dark grey;



Green

Orange

Navy

Light grey

Dark grey

292
UNIVERSAL
ENCLOSURES

318
HEAVY DUTY
AND ELECTRICAL
ENCLOSURES

342
DESKTOP AND
INSTRUMENT
CASES

348
DEVELOPMENT
BOARD
ENCLOSURES

367
ROOM SENSOR
ENCLOSURES

370
CUSTOM SIZED
ENCLOSURES

PLASTIC ENCLOSURES

90 series IP67 handheld enclosures



Product overview

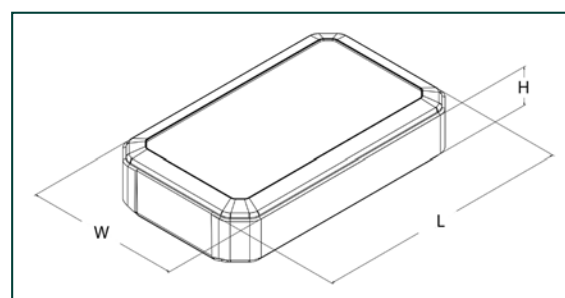
IP67 waterproofed enclosures for harsh conditions, stylish design with chamfered edge and made from flame-resistant ABS (UL94-V0).

- Manufactured in ABS UL94-V0
- Available in black or white
- Rubber (TPE) sides provide a soft touch feel and extra protection (five colours available)
- Seven types - plain (no battery), x4 AAA, x3 AAA, x2 AAA x4 AA, x3 AA and x2 AA
- Suitable for various hand-held apparatus, such as measuring instruments, inspection machines, transmitters and medical equipment
- 90 series has been designed to meet the requirements of IP67



SPECIFICATION

Material	Base and lid ABS UL94-V0
Operating temperature	-10°C to +60°C
Standard colours	Black or white
Standard unit includes	Base, lid, sides, gasket and screws
Protection class	90 series has been designed to meet the requirements of IP67



Black enclosure

PART NO.	LENGTH	WIDTH	HEIGHT	DESCRIPTION	
CHH901AB*	146mm	88mm	20mm	x4 AAA battery compartment	
CHH901NB*	146mm	88mm	20mm	Plain	
CHH902BB*	146mm	88mm	25mm	x2 AA battery compartment	
CHH902CB*	146mm	88mm	25mm	x3 AA battery compartment	
CHH902NB*	146mm	88mm	25mm	Plain	
CHH903BB*	146mm	88mm	33mm	x2 AA battery compartment	
CHH903CB*	146mm	88mm	33mm	x3 AA battery compartment	
CHH903NB*	146mm	88mm	33mm	Plain	
CHH904DB*	126mm	79mm	20mm	x2 AAA battery compartment	
CHH904EB*	126mm	79mm	20mm	x3 AAA battery compartment	
CHH904NB*	126mm	79mm	20mm	Plain	
CHH905DB*	126mm	79mm	28mm	x2 AAA battery compartment	
CHH905EB*	126mm	79mm	28mm	x3 AAA battery compartment	
CHH905NB*	126mm	79mm	28mm	Plain	
CHH906FB*	171mm	95mm	25mm	4xAA battery compartment	
CHH906NB*	171mm	95mm	25mm	Plain	
CHH907FB*	171mm	95mm	33mm	4xAA battery compartment	
CHH907NB*	171mm	95mm	33mm	Plain	
CHH908NB*	191mm	126mm	25mm	Plain	NEW
CHH908GB*	191mm	126mm	25mm	6xAA battery compartment	NEW
CHH909NB*	191mm	126mm	33mm	Plain	NEW
CHH909GB*	191mm	126mm	33mm	6xAA battery compartment	NEW

* Please add suffix
B= Black rubber corners; G= Grey rubber corners; L= Blue rubber corners; R= Red rubber corners; Y= Yellow rubber corners



White enclosure

PART NO.	LENGTH	WIDTH	HEIGHT	DESCRIPTION	
CHH901AW*	146mm	88mm	20mm	x4 AAA battery compartment	
CHH901NW*	146mm	88mm	20mm	Plain	
CHH902BW*	146mm	88mm	25mm	x2 AA battery compartment	
CHH902CW*	146mm	88mm	25mm	x3 AA battery compartment	
CHH902NW*	146mm	88mm	25mm	Plain	
CHH903BW*	146mm	88mm	33mm	x2 AA battery compartment	
CHH903CW*	146mm	88mm	33mm	x3 AA battery compartment	
CHH903NW*	146mm	88mm	33mm	Plain	
CHH904DW*	126mm	79mm	20mm	x2 AAA battery compartment	
CHH904EW*	126mm	79mm	20mm	x3 AAA battery compartment	
CHH904NW*	126mm	79mm	20mm	Plain	
CHH905DW*	126mm	79mm	28mm	x2 AAA battery compartment	
CHH905EW*	126mm	79mm	28mm	x3 AAA battery compartment	
CHH905NW*	126mm	79mm	28mm	Plain	
CHH906FW*	171mm	95mm	25mm	4xAA battery compartment	
CHH906NW*	171mm	95mm	25mm	Plain	
CHH907FW*	171mm	95mm	33mm	4xAA battery compartment	
CHH907NW*	171mm	95mm	33mm	Plain	
CHH908NW*	191mm	126mm	25mm	Plain	NEW
CHH908GW*	191mm	126mm	25mm	6xAA battery compartment	NEW
CHH909NW*	191mm	126mm	33mm	Plain	NEW
CHH909GW*	191mm	126mm	33mm	6xAA battery compartment	NEW

* Please add suffix

B= Black rubber corners; G= Grey rubber corners; L= Blue rubber corners; R= Red rubber corners; Y= Yellow rubber corners



292
UNIVERSAL
ENCLOSURES

318
HEAVY DUTY
AND ELECTRICAL
ENCLOSURES

342
DESKTOP AND
INSTRUMENT
CASES

348
DEVELOPMENT
BOARD
ENCLOSURES

367
ROOM SENSOR
ENCLOSURES

370
CUSTOM SIZED
ENCLOSURES

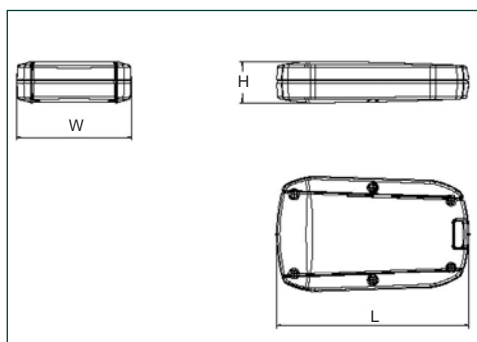
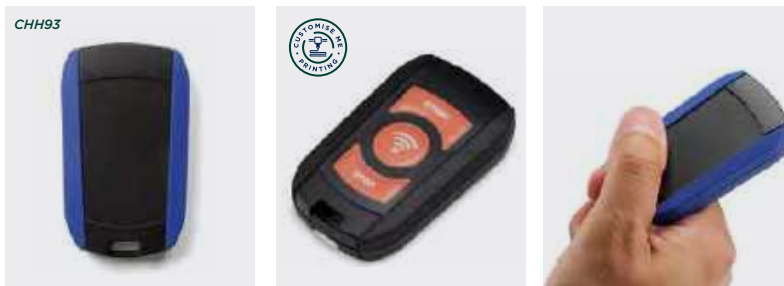
93 series IP67 portable plastic keyfobs



Product overview

IP67 handheld enclosures with TPE sides for comfortable feel.

- Two sizes available in three colour combinations
- Plain and battery compartment options as standard (CR2032 coin cell)
- TPE side grip provides a comfortable feel as well as protection from impact
- Suitable for remote controls, keyfobs, wireless devices, RFID, GPS tracking and more
- 93 series has been designed to meet the requirements of IP67



SPECIFICATION		
Materials	Top cover and bottom cover Battery cover Battery contact O-ring Screw	ABS UL94-HB / TPE (Black, Black Blue, White Grey) ABS UL94-HB, black Stainless steel SUS304 nickel plated Silicone, black Stainless steel SUS304, unfinished
Operating temperature	-10°C to +50°C	
Protection class	93 series has been designed to meet the requirements of IP67	
Standard unit includes	X1 Top cover and x1 bottom cover: X1 Battery cover * X1 Battery contact * x1 O-ring * X7 Screws * = battery versions only	

Black enclosure black grip

PART NO.	LENGTH	WIDTH	HEIGHT	BATTERY TYPE
CHH931NBB	72mm	43mm	15.5mm	None
CHH931BBB	72mm	43mm	15.5mm	1x CR2032 battery compartment
CHH932NBB	90mm	44.2mm	15.7mm	None
CHH932BBB	90mm	44.2mm	15.7mm	1x CR2032 battery compartment



Black enclosure blue grip

PART NO.	LENGTH	WIDTH	HEIGHT	BATTERY TYPE
CHH931NBL	72mm	43mm	15.5mm	None
CHH931BBL	72mm	43mm	15.5mm	1x CR2032 battery compartment
CHH932NBL	90mm	44.2mm	15.7mm	None
CHH932BBL	90mm	44.2mm	15.7mm	1x CR2032 battery compartment



White enclosure light grey grip

PART NO.	LENGTH	WIDTH	HEIGHT	BATTERY TYPE
CHH931NWG	72mm	43mm	15.5mm	None
CHH931BWG	72mm	43mm	15.5mm	1x CR2032 battery compartment
CHH932NWG	90mm	44.2mm	15.7mm	None
CHH932BWG	90mm	44.2mm	15.7mm	1x CR2032 battery compartment



ACCESSORIES

PCB

- Glass epoxy board (FR-4), through holes on both sides, 2.54mm hole pitch
- Designed with a battery contact hole
- Battery contact position and direction are printed on the PCB
- Please use battery contacts included with the enclosures



PART NO.	CASE TYPE
CHH93PCB1	Size 1 (72mm x 43mm x 15.5mm)
CHH93PCB2	Size 2 (90mm x 44.2mm x 15.7mm)



www.camdenboss.com

CAMDENBOSS

Our enclosure, your design.

Take advantage of our on-site engineering and finishing facilities. We deliver your enclosure machined and digitally printed, ready to assemble straight out of the box.

We do it all, shortening your supply chain whilst reducing cost and getting your enclosure to market fast.

Create more than a box on page 434.



CALL OUR
SALES TEAM ON
01638 716101



268
HANDHELD CASES

292
UNIVERSAL
ENCLOSURES

318
HEAVY DUTY
AND ELECTRICAL
ENCLOSURES

342
DESKTOP AND
INSTRUMENT
CASES

348
DEVELOPMENT
BOARD
ENCLOSURES

367
ROOM SENSOR
ENCLOSURES

370
CUSTOM SIZED
ENCLOSURES

UNIVERSAL ENCLOSURES

A wide variety of general purpose ABS enclosures and accessories including rubber boots, IP65 gaskets, and wall mounting kits.



7000 series recessed designer cases **294**



1100 series stylish ABS cases **296**



2000 series general purpose ABS cases **297**



2000 series general purpose ABS cases - flanged **298**



2000 series general purpose ABS cases - lugged lid **299**



2000 series general purpose ABS cases - deep profile **300**



2000 series general purpose ABS cases - EMC **301**



4000 series panel lid cases **302**



3400 series end panel design cases **303**



82 series multi-purpose cases **304**



83 series plastic flanged cases **306**



84 series round edge cases **307**

PLASTIC ENCLOSURES

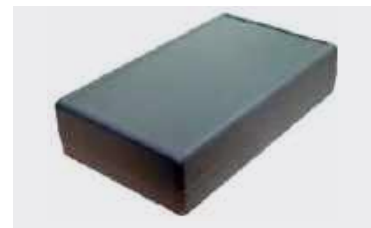
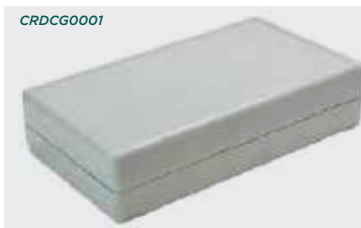
		
<p>92 series comms boxes 308</p>	<p>94 series flanged comms boxes 310</p>	<p>200 series small ABS HB boxes with lid - UL94-HB 312</p>
		
<p>200 series small ABS boxes with lid - UL94-VO 313</p>	<p>400 series lugged cable entry boxes 314</p>	<p>500 series small flanged ABS boxes 315</p>
		
<p>300 series multi-purpose boxes 316</p>	<p>100 series open potting boxes 317</p>	

7000 series recessed designer cases

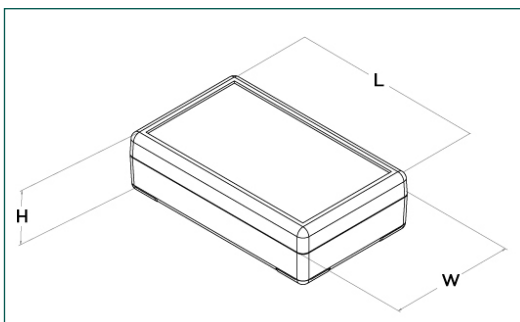
Product overview

Functional yet modern design in nine different sizes with anti-scratch finish. RFI wall mount options available.

- Lid and base moulded in ABS
- Lid mounted by four M3 machine screws
- Plastic screw covers for aesthetic appearance
- Fine texture anti-scratch finish
- Recesses in lid and base designed to accept membrane keypads or overlays
- Integral mounting guides in lid and base for vertical PCB mounting
- PCB pillars in lid and base
- Surface mountable via moulded fixing points or wall-mounting kit (optional)
- Can be supplied with optional waterproof gasket
- Can be supplied with optional waterproof gasket and RFI shielding
- 7000 series has been designed to meet the requirements of IP54 or additionally, IP65 with the gasket accessory



SPECIFICATION	
Materials	Lid, base and screw covers ABS, UL94-V0
Operating temperature	-20°C - 80°C
Protection class	7000 series has been designed to meet the requirements of IP54 or additionally, IP65 with the gasket accessory
Standard unit includes	Base and lid 4x M3 machine screws (torque 0.5 Nm) 4x screw covers
Options	Wall mounting kit IP65 gasket kits RFI screening



BLACK	LENGTH	WIDTH	HEIGHT	DESCRIPTION
CRDCB0001	90mm	55mm	25mm	Designer case
CRDCB0002	90mm	55mm	40mm	Designer case
CRDCB0003	110mm	85mm	35mm	Designer case
CRDCB0004	127mm	75mm	30mm	Designer case
CRDCB0005	127mm	75mm	45mm	Designer case
CRDCB0006	145mm	90mm	45mm	Designer case
CRDCB0007	190mm	120mm	60mm	Designer case
CRDCB0008	220mm	145mm	50mm	Designer case
CRDCB0009	220mm	145mm	80mm	Designer case

GREY	LENGTH	WIDTH	HEIGHT	DESCRIPTION
CRDCG0001	90mm	55mm	25mm	Designer case
CRDCGG001	90mm	55mm	25mm	With gasket
CRDCERG01	90mm	55mm	25mm	With RFI and gasket
CRDCG0002	90mm	55mm	40mm	Designer case
CRDCGG002	90mm	55mm	40mm	With gasket
CRDCERG02	90mm	55mm	40mm	With RFI and gasket
CRDCG0003	110mm	85mm	35mm	Designer case
CRDCGG003	110mm	85mm	35mm	With gasket
CRDCERG03	110mm	85mm	35mm	With RFI and gasket
CRDCG0004	127mm	75mm	30mm	Designer case
CRDCGG004	127mm	75mm	30mm	With gasket
CRDCERG04	127mm	75mm	30mm	With RFI and gasket
CRDCG0005	127mm	75mm	45mm	Designer case
CRDCGG005	127mm	75mm	45mm	With gasket
CRDCERG05	127mm	75mm	45mm	With RFI and gasket
CRDCG0006	145mm	90mm	45mm	Designer case
CRDCGG006	145mm	90mm	45mm	With gasket
CRDCERG06	145mm	90mm	45mm	With RFI and gasket
CRDCG0007	190mm	120mm	60mm	Designer case
CRDCGG007	190mm	120mm	60mm	With gasket
CRDCERG07	190mm	120mm	60mm	With RFI and gasket
CRDCG0008	220mm	145mm	50mm	Designer case
CRDCGG008	220mm	145mm	50mm	With gasket
CRDCERG08	220mm	145mm	50mm	With RFI and gasket
CRDCG0009	220mm	145mm	80mm	Designer case
CRDCGG009	220mm	145mm	80mm	With gasket
CRDCERG09	220mm	145mm	80mm	With RFI and gasket

ACCESSORIES

7000 series IP65 gasket kits

- EPDM gasket, dust and water protection from IP54 to IP65



PART NO.	DESCRIPTION
CRDCGASK1	Gasket for designer case size 1 and 2
CRDCGASK2	Gasket for designer case size 3
CRDCGASK3	Gasket for designer case size 4 and 5
CRDCGASK4	gasket for designer case Size 6
CRDCGASK5	Gasket for designer case Size 7
CRDCGASK6	Gasket for designer case size 8 and 9

Wall mounting kit

- Universal design fits all sizes, available in grey
- Fits lid and base, surface 1.5mm from lid or 9.5mm base



PART NO.	DESCRIPTION
CRDCWMKIT	4x mounting feet

KEY FEATURES

RFI & wall mount options | Anti-scratch finish | PCB mounting

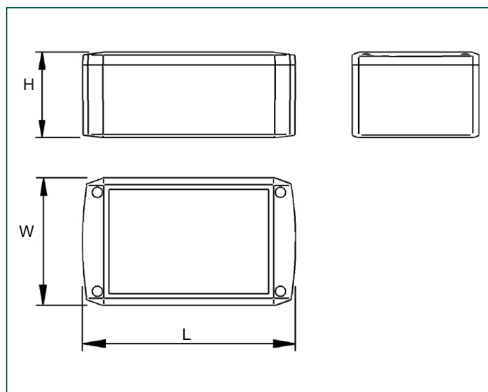


1100 series stylish ABS cases

1101 ABS LID

Aesthetically pleasing electronic enclosures with solid ABS lids, designed for a broad range of applications.

- Lid and base moulded in ABS- UL94-V0
- Lid mounted by four M3 machine screws
- Bevelled edges and curved side walls
- 1.2mm membrane keypad recesses in lid and base
- Polished finish for ease of cleaning and stylish appearance
- Deep profile for maximum internal volume
- Plastic standoffs in base for mounting of PCBs
- Excellent properties for machining
- 1100 series has been designed to meet the requirements of IP54



CSACST



SPECIFICATION

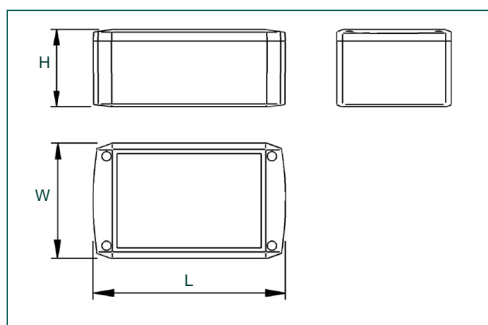
Materials	Lid and base high impact ABS-UL94-V0
Operating temperature	Resistant to temperatures between -5°C and 80°C
Protection class	1100 series has been designed to meet the requirements of IP54
Standard colours	Light grey similar to RAL 7035
Standard unit includes	Base and lid 4 x M3 machine screws

LIGHT GREY	LENGTH	WIDTH	HEIGHT
CSACST001	90mm	50mm	35mm
CSACST002	110mm	60mm	40mm
CSACST003	125mm	75mm	50mm
CSACST004	155mm	95mm	60mm
CSACST005	190mm	115mm	75mm
CSACST006	220mm	140mm	90mm

1102 TRANSPARENT LID

Electronic enclosures featuring a transparent lid, designed for applications that require visible electronics. High-impact polycarbonate smoked effect lid.

- Base moulded in ABS, UL94-V0
- Lid moulded in transparent, Polycarbonate, UL94-V0
- Lid mounted by four M3 machines screws
- Bevelled edges and curved side walls
- 1.2mm membrane keypad recesses in lid and base
- Polished finish for ease of cleaning and stylish appearance
- Deep profile for maximum internal volume
- Pillars in base for mounting of PCBs
- Excellent properties for machining
- 1100 series has been designed to meet the requirements of IP54



CSACTT



SPECIFICATION

Materials	Lid high impact PC, UL94-V0 Base high impact ABS, UL94-V0
Operating temperature	Resistant to temperatures between -5°C and 80°C Lid resistant to temperatures up to 120°C
Protection class	IP54 1100 series has been designed to meet the requirements of IP54
Standard colours	Light grey similar to RAL 7035
Standard unit includes	Base and lid 4 x M3 machine screws

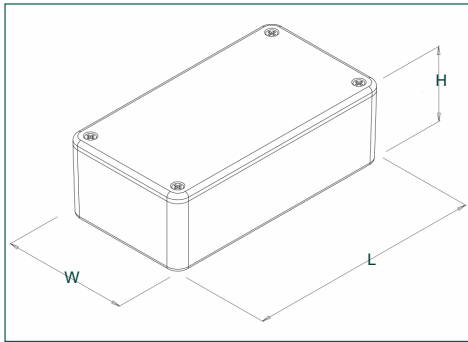
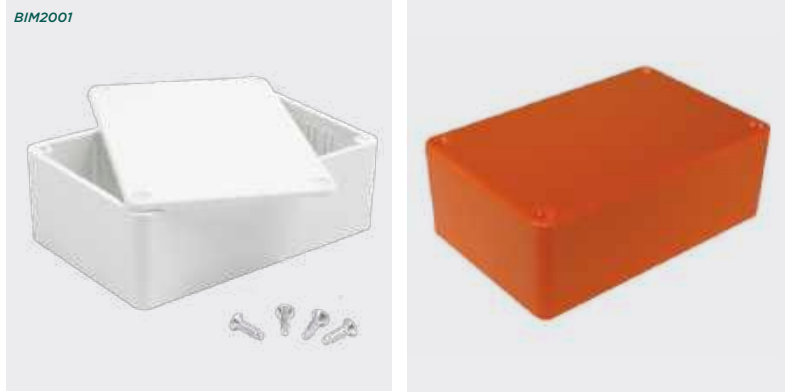
LIGHT GREY	LENGTH	WIDTH	HEIGHT
CSACTT001	90mm	50mm	35mm
CSACTT002	110mm	60mm	40mm
CSACTT003	125mm	75mm	50mm
CSACTT004	155mm	95mm	60mm
CSACTT005	190mm	115mm	75mm
CSACTT006	220mm	140mm	90mm

2000 series general purpose ABS cases

Product overview

Extensive range of electronic enclosures with solid ABS lid, designed for a broad range of applications.

- Lid and base moulded in ABS
- Brass inserts in base for repetitive removal of the lid (*except for 2000, 2007 or 2008 sizes)
- High gloss polished finish
- Excellent properties for machining
- Integral mounting guides to accept 1.6mm PCBs
- Available in other colours on request (subject to MOQ)
- 2000 series has been designed to meet the requirements of IP54



SPECIFICATION	
Materials	Lid and base high impact ABS UL94-HB
Operating temperature	-5°C to 80°C
Protection class	2000 series has been designed to meet the requirements of IP54
Standard colours	Grey (GY), black (BLK), white (WH), orange (ORG)
Standard unit includes	Base and lid Lid screws as below Required torque setting 10 cNm (0.1Nm)
Options (MOQs apply)	Different colours / materials / UL94-V0
Available accessories	BIM adapter (PCB adapter for horizontal PCB mounting) BIM stap (only fits BIM2006/16)

GREY	BLACK	WHITE	ORANGE	SCREWS	LENGTH	WIDTH	HEIGHT
*BIM2008/18-GY/GY	*BIM2008/18-BLK/BLK	*BIM2008/18-WH/WH	*BIM2008/18-ORG/ORG	No2 x 5/16 CSK self tapping x 4pcs	55mm	55mm	42mm
*BIM2000/10-GY/GY	*BIM2000/10-BLK/BLK	*BIM2000/10-WH/WH	*BIM2000/10-ORG/ORG	No2 x 5/16 CSK self tapping x 4pcs	75mm	50mm	27mm
BIM2001/11-GY/GY	BIM2001/11-BLK/BLK	BIM2001/11-WH/WH	BIM2001/11-ORG/ORG	M3 x 10 CSK pozi screws x 4pcs	85mm	56mm	39mm
BIM2002/12-GY/GY	BIM2002/12-BLK/BLK	BIM2002/12-WH/WH	BIM2002/12-ORG/ORG	M3 x 10 CSK pozi screws x 4pcs	100mm	50mm	25mm
BIM2003/13-GY/GY	BIM2003/13-BLK/BLK	BIM2003/13-WH/WH	BIM2003/13-ORG/ORG	M3 x 10 CSK pozi screws x 4pcs	112mm	62mm	31mm
*BIM2007/17-GY	BIM2007/17-BLK	BIM2007/17-WH/WH	-	No2 x 5/16 CSK self tapping x 4pcs	112mm	62mm	31mm
BIM2004/14-GY/GY	BIM2004/14-BLK/BLK	BIM2004/14-WH/WH	BIM2004/14-ORG/ORG	M3 x 10 CSK pozi screws x 4pcs	120mm	65mm	40mm
RTM2030/30-GY	RTM2030/30-BLK	RTM2030/30-WH/WH	-	M3 x 10 CSK pozi screws x 4pcs	142mm	80mm	30mm
BIM2005/15-GY/GY	BIM2005/15-BLK/BLK	BIM2005/15-WH	BIM2005/15-ORG/ORG	M3 x 10 CSK pozi screws x 4pcs	150mm	80mm	50mm
BIM2006/16-GY/GY	BIM2006/16-BLK/BLK	BIM2006/16-WH/WH	BIM2006/16-ORG/ORG	M3 x 10 CSK pozi screws x 6pcs	190mm	110mm	60mm
BIM2009/19-GY/GY	BIM2009/19-BLK/BLK	BIM2009/19-WH/WH	-	M3 x 10 CSK pozi screws x 8pcs	250mm	200mm	65mm

*Brass inserts not included in 2000, 2007 or 2008 sizes

KEY FEATURES

Polished finish | Horizontal PCB mounting | Moulded in ABS



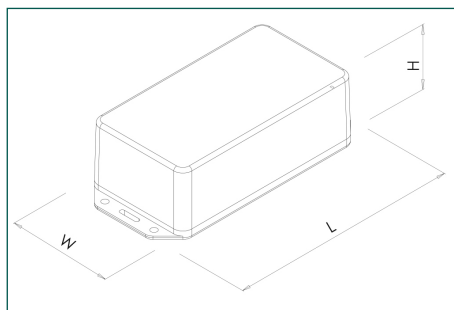
PLASTIC ENCLOSURES

2000 series general purpose ABS cases - flanged

Product overview

For applications requiring surface or wall mounting and protection against dust and water ingress. Provides extra security once mounted by restricting access to the screws in the lid.

- Flanged lid and base moulded in ABS
- High gloss polished finish
- Brass inserts in base for repetitive removal of the lid (*except for 2000 or 2008 sizes)
- Excellent properties for machining
- Integral mounting guides to accept 1.6mm PCBs
- Plastic standoffs in lid for PCB mounting
- Available in other colours on request (subject to MOQ)
- 2000 series flanged has been designed to meet the requirements of IP54 and IP65 with gasket accessory



SPECIFICATION	
Materials	Lid and base high impact ABS UL94-HB
Operating temperature	-5°C to 80°C
Protection class	2000 series flanged has been designed to meet the requirements of IP54 or additionally, IP65 with the gasket accessory
Standard colours	Grey (GY) and black (BLK)
Standard unit includes	Base and flanged lid Lid screws as below Required torque setting 10 cNm (0.1Nm)
Options (MOQs apply)	Different colours / materials / UL94-V0
Available accessories	IP65 gasket kits BIM adapter (PCB adapter for horizontal PCB mounting) BIM stap (only fits BIM2006/16)

GREY	BLACK	SCREWS	LENGTH	WIDTH	HEIGHT
*BIM2008/IP-GY	*BIM2008/IP-BLK	No2 x 5/16 CSK self tapping x 4pcs	78.3mm	57.3mm	43mm
*BIM2000/IP-GY	*BIM2000/IP-BLK	No2 x 5/16 CSK self tapping x 4pcs	99mm	52mm	28mm
BIM2001/IP-GY	BIM2001/IP-BLK	M3 x 10 CSK pozi screws x 4pcs	105mm	58mm	39.5mm
BIM2002/IP-GY	BIM2002/IP-BLK	M3 x 10 CSK pozi screws x 4pcs	123mm	52mm	25.5mm
BIM2003/IP-GY	BIM2003/IP-BLK	M3 x 10 CSK pozi screws x 4pcs	136mm	64.6mm	31.5mm
BIM2004/IP-GY	BIM2004/IP-BLK	M3 x 10 CSK pozi screws x 4pcs	143.3mm	67.3mm	40.3mm
BIM2030/IP-GY	BIM2030/IP-BLK	M3 x 10 CSK pozi screws x 4pcs	167mm	84mm	31mm
BIM2005/IP-GY	BIM2005/IP-BLK	M3 x 10 CSK pozi screws x 4pcs	173.4mm	82.4mm	50.5mm
BIM2006/IP-GY	BIM2006/IP-BLK	M3 x 10 CSK pozi screws x 6pcs	213mm	112.3mm	60.7mm

*Brass inserts not included in 2000 or 2008 sizes

IP65 gasket kits

PART NO.	DESCRIPTION
SA00	2000/IP gasket kit
SA1-5	2001/IP, 2002/IP, 2003/IP, 2004/IP, 2005/IP, 2030/IP gasket kit
SA6	2006/IP gasket kit
SA8	2008/IP gasket kit

KEY FEATURES

IP65 flanged lid | PCB mounting | Base moulded in ABS

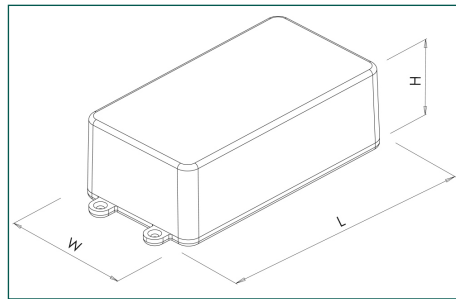
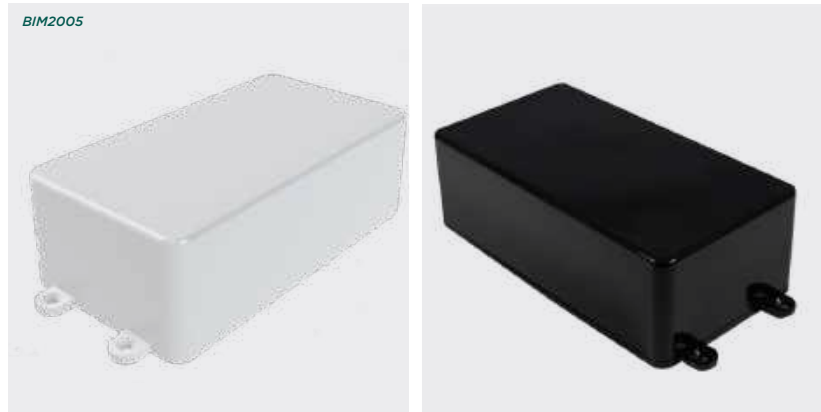


2000 series general purpose ABS cases - lugged lid

Product overview

Electronic enclosures with lugged lid, for a broad range of surface mounting applications. Provides extra security once mounted by restricting access to the screws in the lid.

- Lugged lid and base moulded in ABS
- High gloss polished finish
- Brass inserts in base for repetitive removal of the lid
- Excellent properties for machining
- Integral mounting guides to accept 1.6mm PCBs
- Available in other colours on request (subject to MOQ)
- 2000 series has been designed to meet the requirements of IP54



SPECIFICATION	
Materials	Lid and base high impact ABS UL94-HB
Operating temperature	-5°C to 80°C
Protection class	2000 series has been designed to meet the requirements of IP54
Standard colours	Grey (GY) Black (BLK) White (WH)
Standard unit includes	Base and lugged lid Lid screws as below Required torque setting 10 cNm (0.1Nm)
Options (MOQs apply)	Different colours / materials / UL94-V0
Available accessories	BIM adapter (PCB adapter for horizontal PCB mounting)

GREY	BLACK	WHITE	SCREWS	LENGTH	WIDTH	HEIGHT
BIM2003/LUG-GY/GY	BIM2003/LUG-BLK/BLK	BIM2003/LUG-WH/WH	M3 x 10 CSK pozi screws x 4pcs	131.5mm	62mm	31mm
BIM2004/LUG-GY/GY	BIM2004/LUG-BLK/BLK	BIM2004/LUG-WH/WH	M3 x 10 CSK pozi screws x 4pcs	139mm	65mm	40mm
BIM2005/LUG-GY/GY	BIM2005/LUG-BLK/BLK	BIM2005/LUG-WH/WH	M3 x 10 CSK pozi screws x 4pcs	171.5mm	80mm	50mm

KEY FEATURES

Polished finish | Horizontal PCB mounting | Moulded in ABS

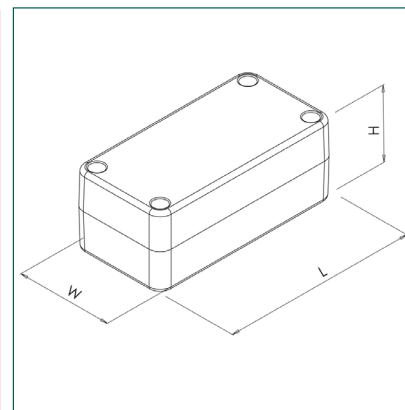


2000 series general purpose ABS cases - deep profile

Product overview

Multi-purpose enclosures for application where extra height is required. The deep profile 2000 series provides increased internal volume.

- Deep profile lid and base moulded in ABS
- Brass inserts in base for repeated removal of the lid
- Excellent properties for machining
- Integral mounting guides in base to accept 1.6mm PCB's
- Available in other colours on request (subject to MOQ)
- 2000 series has been designed to meet the requirements of IP54



SPECIFICATION

Materials	Lid and base high impact ABS UL94-HB
Operating temperature	-5°C to 80°C
Protection class	2000 series has been designed to meet the requirements of IP54
Standard colours	Grey (GY), black (BLK), white (WH)
Standard unit includes	Base and deep profile lid Lid screws as below Required torque setting 10 cNm (0.1Nm)
Options (MOQs apply)	Different colours / materials / UL94-V0
Available accessories	BIM adapter (PCB adapter for horizontal PCB mounting) BIM stap (only fits BIM2006/16)

GREY	BLACK	WHITE	SCREWS	LENGTH	WIDTH	HEIGHT
BIM2002/22-GY/GY	BIM2002/22-BLK/BLK	BIM2002/22-WH/WH	M3 x 10 CSK pozi screws x 4pcs	100mm	50mm	40mm
BIM2004/24-GY/GY	BIM2004/24-BLK/BLK	BIM2004/24-WH/WH	M3 x 10 CSK pozi screws x 4pcs	120mm	65mm	60mm
BIM2005/25-GY/GY	BIM2005/25-BLK/BLK	BIM2005/25-WH/WH	M3 x 10 CSK pozi screws x 4pcs	150mm	80mm	76mm
BIM2006/26-GY/GY	BIM2006/26-BLK/BLK	BIM2006/26-WH/WH	M3 x 10 CSK pozi screws x 6pcs	190mm	110mm	90mm

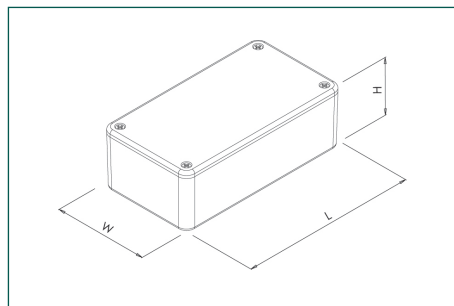
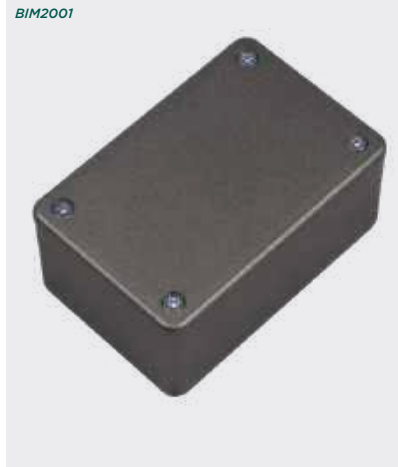
2000 series general purpose ABS cases - EMC

Product overview

A range of enclosures with conductive coating for enhanced electro-magnetic compatibility (EMC).

- Lid and base moulded in ABS
- Graphite grey paint finish
- Conductive coating
- Brass inserts in base for repetitive removal of the lid (*except for 2000, 2007 or 2008 sizes)
- Excellent properties for machining
- Integral mounting guides to accept 1.6mm PCBs
- 2000 series has been designed to meet the requirements of IP54

BIM2001



SPECIFICATION	
Materials	Lid and base high impact ABS UL94-HB
Operating temperature	-5°C to 80°C
Protection class	2000 series has been designed to meet the requirements of IP54
Standard colours	Graphite grey
Standard unit includes	Base and lid Lid screws as below Required torque setting 10 cNm (0.1Nm)
Options (MOQs apply)	Different colours / materials / UL94-V0
Available accessories	BIM adapter (PCB adapter for horizontal PCB mounting) BIM stap (only fits BIM2006/16)

GREY	SCREWS	LENGTH	WIDTH	HEIGHT
*BIM2008/18-EMI/RFI	No2 x 5/16 CSK self tapping x 4pcs	55mm	55mm	42mm
*BIM2000/10-EMI/RFI	No2 x 5/16 CSK self tapping x 4pcs	75mm	50mm	27mm
BIM2001/11-EMI/RFI	M3 x 10 CSK pozi screws x 4pcs	85mm	56mm	39mm
BIM2002/12-EMI/RFI	M3 x 10 CSK pozi screws x 4pcs	100mm	50mm	25mm
BIM2003/13-EMI/RFI	M3 x 10 CSK pozi screws x 4pcs	112mm	62mm	31mm
*BIM2007/17-EMI/RFI	No2 x 5/16 CSK self tapping x 4pcs	112mm	62mm	31mm
BIM2004/14-EMI/RFI	M3 x 10 CSK pozi screws x 4pcs	120mm	65mm	40mm
BIM2005/15-EMI/RFI	M3 x 10 CSK pozi screws x 4pcs	150mm	80mm	50mm
BIM2006/16-EMI/RFI	M3 x 10 CSK pozi screws x 6pcs	190mm	110mm	60mm
BIM2009/19-EMI/RFI	M3 x 10 CSK pozi screws x 8pcs	250mm	200mm	65mm

*Brass inserts not included in 2000, 2007 or 2008 sizes

KEY FEATURES

Conductive graphite paint finish | Shielded | Moulded in ABS



ACCESSORIES

BIM adapter

- For horizontal PCB mounting
- Suitable for all BIM2000 series enclosures

PART NO.	DESCRIPTION
BIM/ADAPTER	BIM adapter (PCB adapter for horizontal PCB mounting)
BIM STRAP BLK	BIM Strap for BIM2006 black
BIM STRAP GY	BIM Strap for BIM2006 grey
BIM STRAP ORG	BIM Strap for BIM2006 orange
BIM STRAP WH	BIM Strap for BIM2006 white



PLASTIC ENCLOSURES

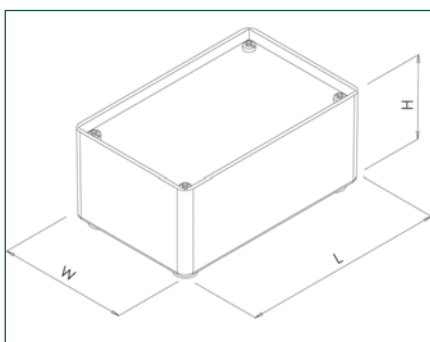


4000 series panel lid cases

Product overview

ABS boxes with recessed lid, designed for ease of customisation, available in three sizes.

- Aluminium lid mounted by four M3 machine screws
- Brass inserts in base for repeated removal of the lid
- Polished finish for ease of cleaning
- Rubber feet provided as standard
- Both the lid and box have excellent properties for machining
- Integral mounting guides to accept 1.6mm PCBs
- 4000 series has been designed to meet the requirements of IP54



SPECIFICATION	
Materials	Base high impact ABS Lid 1mm aluminium
Operating temperature	Resistant to temperatures of up to 80°C
Protection class	4000 series has been designed to meet the requirements of IP54
Standard colours	Base: Grey (GY), black (BLK) Aluminium lid
Standard unit includes	Base and aluminium lid 4x M3 machine screws 4x rubber feet
Options	PCB adaptors for horizontal mounting

ALUMINIUM LID GREY	ALUMINIUM LID BLACK	LENGTH	WIDTH	HEIGHT
BIM4003-GY/PG	BIM4003-BLK/PG	85mm	56mm	35mm
BIM4004-GY/PG	BIM4004-BLK/PG	111mm	71mm	48mm
BIM4005-GY/PG	BIM4005-BLK/PG	161mm	96mm	59mm

KEY FEATURES

Brass inserts | Accepts 1.6mm PCB's | Base moulded in ABS

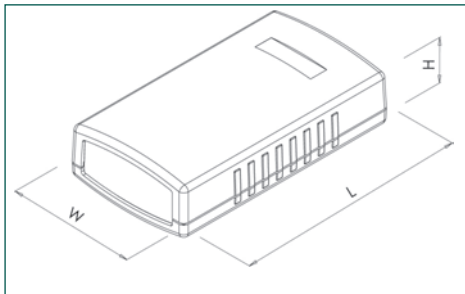


3400 series end panel design cases

Product overview

Versatile range of end-panel four-part construction enclosures, available in four lengths and nine heights.

- Lid, base and end panels moulded in high impact or UL94-V0 ABS
- Integral mounting guides in U-shell lid and base for vertical PCB mounting
- Bosses in base and lid for horizontal PCB mounting
- Ergonomically curved lid and base
- Four part construction for complete access and fitting of electronics
- Four M3 or self-tapping screws countersunk into base and fixed into lid
- Textured non-scratch surface
- 3400 series has been designed to meet the requirements of IP54



SPECIFICATION	
Materials	UL94-V0 or high impact ABS
Protection class	3400 series has been designed to meet the requirements of IP54
Standard colours	UL94-V0- Lid and base dark grey similar to RAL 7040, end panels light grey High impact - Lid and base light grey similar to RAL 9002, end panels dark grey
Fixing styles	Self-tapping- 3400-30 to 3400-34 M3 brass inserts- 3400-36 to 3400-59
Standard unit includes	Base and lid 2x end panels 4x fixing screws 4x rubber feet / screw covers

HIGH IMPACT ABS	FLAME RETARDANT ABS	LENGTH	WIDTH	HEIGHT
3400-30	3400-01	90mm	50mm	16mm
3400-31	3400-03	90mm	50mm	24mm
3400-34	3400-04	90mm	50mm	32mm
3400-36	3400-07	120mm	60mm	30mm
3400-38	3400-10	120mm	60mm	40mm
3400-40	3400-12	120mm	60mm	50mm
3400-43	3400-13	150mm	80mm	30mm
3400-45	3400-16	150mm	80mm	45mm
3400-47	3400-18	150mm	80mm	60mm
3400-52	3400-21	190mm	100mm	40mm
3400-54	3400-22	190mm	100mm	60mm
3400-59	3400-25	190mm	100mm	80mm

KEY FEATURES

Moulded in ABS | Attractive curved design | PCB mounting



82 series multi-purpose cases



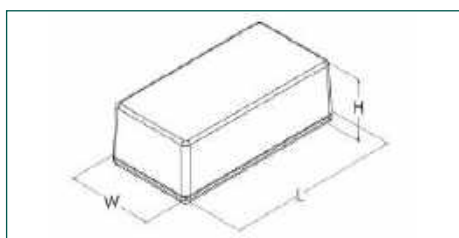
Product overview

Multi-purpose ABS cases, designed for a broad range of applications.

- Universal plastic enclosure with screw fastening
- Available in 23 sizes in two colours; white and black
- Suitable for measuring instruments, testing devices, wireless communications devices, medical devices etc
- Black enclosure UL94-HB
- White enclosure UL94-V0 (UL94-V1 where indicated)*
- 82 series has been designed to meet the requirements of IP40



Silicone boots available as accessories



SPECIFICATION

Materials	Lid and base high impact ABS Black: UL94-HB White: UL94-V0/UL94-V1
Operating temperature	-10°C to +60°C
Standard colours	Black and white
Protection class	82 series has been designed to meet the requirements of IP40
Standard unit includes	Self-tapping screw, lid and base

SIZE	BLACK	WHITE	LENGTH	WIDTH	HEIGHT
1	CUE8201BK	CUE8201WH*	50mm	35mm	20mm
2	CUE8202BK	CUE8202WH*	60mm	35mm	20mm
3	CUE8203BK	CUE8203WH*	80.3mm	40.3mm	20mm
4	CUE8204BK	CUE8204WH*	70mm	50mm	15mm
5	CUE8205BK	CUE8205WH*	70mm	50mm	27.5mm
6	CUE8206BK	CUE8206WH*	70mm	50mm	40mm
7	CUE8207BK	CUE8207WH*	90mm	45mm	25mm
8	CUE8208BK	CUE8208WH	105mm	70mm	20mm
9	CUE8209BK	CUE8209WH	105mm	70mm	35mm
10	CUE8210BK	CUE8210WH	105mm	70mm	50mm
11	CUE8211BK	CUE8211WH	130mm	65mm	25.6mm
12	CUE8212BK	CUE8212WH	130mm	65mm	50mm
13	CUE8213BK	CUE8213WH	80mm	80mm	20mm
14	CUE8214BK	CUE8214WH	80mm	80mm	40mm
15	CUE8215BK	CUE8215WH	170mm	85.5mm	35.4mm
16	CUE8216BK	CUE8216WH	170mm	85.5mm	60.6mm
17	CUE8217BK	CUE8217WH	220mm	110mm	45.3mm
18	CUE8218BK	CUE8218WH	220mm	110mm	75.3mm
19	CUE8219BK	CUE8219WH	125mm	125mm	25mm
20	CUE8220BK	CUE8220WH	125mm	125mm	45mm
21	CUE8221BK	CUE8221WH	175mm	125mm	25mm
22	CUE8222BK	CUE8222WH	175mm	125mm	45mm
23	CUE8223BK	CUE8223WH	175mm	125mm	65mm

KEY FEATURES

Screw fastening enclosure | 23 sizes | Available in white and black



ACCESSORIES

Rubber boots

- Flexible open-faced removable silicone rubber boot
- Boots offer protection to the enclosure
- Boot has pre-moulded holes to enable securing of boot to the enclosure
- Fits tightly over base, sides and around edges of lid
- Available in nine sizes and six colours, suits boxes: 11, 12, 15, 16, 17, 18, 19, 20, 21, 22, 23



PINK	YELLOW	GREEN	BLUE	GREY	BLACK	LENGTH	WIDTH	HEIGHT	DESCRIPTION
CUE82B1PK	CUE82B1YL	CUE82B1GN	CUE82B1BL	CUE82B1GY	CUE82B1BK	27mm	71mm	32mm	To fit size 11
CUE82B2PK	CUE82B2YL	CUE82B2GN	CUE82B2BL	CUE82B2GY	CUE82B2BK	27mm	71mm	56mm	To fit size 12
CUE82B3PK	CUE82B3YL	CUE82B3GN	CUE82B3BL	CUE82B3GY	CUE82B3BK	33mm	91.5mm	41.5mm	To fit size 15
CUE82B4PK	CUE82B4YL	CUE82B4GN	CUE82B4BL	CUE82B4GY	CUE82B4BK	33mm	91.5mm	66.5mm	To fit size 16
CUE82B5PK	CUE82B5YL	CUE82B5GN	CUE82B5BL	CUE82B5GY	CUE82B5BK	40mm	116mm	51.5mm	To fit size 17
CUE82B6PK	CUE82B6YL	CUE82B6GN	CUE82B6BL	CUE82B6GY	CUE82B6BK	40mm	116mm	81.5mm	To fit size 18
CUE82B7PK	CUE82B7YL	CUE82B7GN	CUE82B7BL	CUE82B7GY	CUE82B7BK	38mm	131mm	31mm	To fit sizes 19, 21
CUE82B8PK	CUE82B8YL	CUE82B8GN	CUE82B8BL	CUE82B8GY	CUE82B8BK	38mm	131mm	51mm	To fit sizes 20, 22
CUE82B9PK	CUE82B9YL	CUE82B9GN	CUE82B9BL	CUE82B9GY	CUE82B9BK	38mm	131mm	71mm	To fit size 23

83 series plastic flanged cases

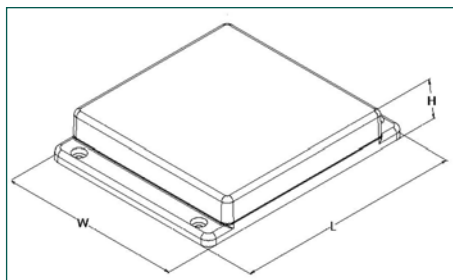


Product overview

Multi-purpose flanged enclosure designed for wall-mounting or surface mount devices.

- Suitable for measuring instruments, communication devices, controllers etc
- Lid and base moulded in flame resistant ABS.
- Lid mounted by four M3 machine screws
- Excellent properties for machining
- Available in 18 sizes in white and dark grey, UL94-VO
- 83 series has been designed to meet the requirements of IP40

CUE83



SPECIFICATION

Materials	Lid and base high impact ABS UL94-VO
Operating temperature	-10°C to +60°C
Standard colours	Off white and dark grey
Protection class	83 series has been designed to meet the requirements of IP40
Standard unit includes	Base and lid Nickel plated screw

SIZE	DARK GREY	OFF-WHITE	LENGTH	WIDTH	HEIGHT
1	CUE8301DG	CUE8301WH	70mm	35.4mm	22mm
7	CUE8307DG	CUE8307WH	111mm	45.6mm	27.5mm
8	CUE8308DG	CUE8308WH	127mm	70.6mm	20.5mm
9	CUE8309DG	CUE8309WH	127mm	70.6mm	35.5mm
10	CUE8310DG	CUE8310WH	127mm	70.6mm	50.5mm
11	CUE8311DG	CUE8311WH	150mm	65.5mm	25.5mm
12	CUE8312DG	CUE8312WH	150mm	65.5mm	50mm
13	CUE8313DG	CUE8313WH	100mm	80.6mm	23.5mm
14	CUE8314DG	CUE8314WH	100mm	80.6mm	43.5mm
15	CUE8315DG	CUE8315WH	190mm	86mm	35mm
16	CUE8316DG	CUE8316WH	190mm	86mm	60mm
17	CUE8317DG	CUE8317WH	250mm	110.3mm	45mm
18	CUE8318DG	CUE8318WH	250mm	110.3mm	75mm
19	CUE8319DG	CUE8319WH	155.6mm	125.6mm	25mm
20	CUE8320DG	CUE8320WH	155.6mm	125.6mm	45mm
21	CUE8321DG	CUE8321WH	205.6mm	125.6mm	25mm
22	CUE8322DG	CUE8322WH	205.6mm	125.6mm	45mm
23	CUE8323DG	CUE8323WH	205.6mm	125.6mm	65mm

NB: Length includes flanges

KEY FEATURES

Flame resistant ABS | 18 sizes | Flanged for wall mounting



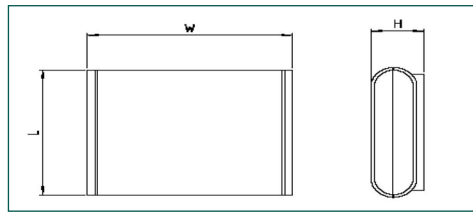
84 series round edge cases



Product overview

ABS round shaped case, suitable for wall mounting, home energy systems and home automation.

- Snap-fit enclosures - no screws required
- Surface mount knockout option
- Available in two sizes
- Internal pillars for PCB mounting
- Applications in home energy, home automation and control units
- 84 series has been designed to meet the requirements of IP40



SPECIFICATION	
Materials	ABS as standard UL94-HB
Operating temperature	-10°C to +60°C
Standard colours	White
Protection class	84 series has been designed to meet the requirements of IP40
Standard unit includes	Base and lid

CB WHITE	DARK GREY	LENGTH	WIDTH	HEIGHT
CDT8401WH	N/A	110mm	140mm	35mm
CDT8402WH	CDT8402DG	125mm	180mm	35mm

KEY FEATURES

Snap-fit enclosure | Available in two sizes | Wall mounting



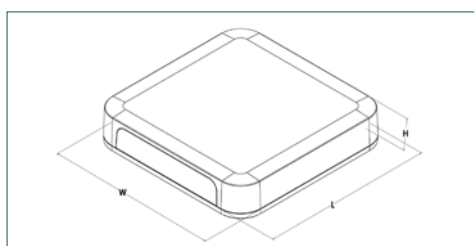
92 series comms boxes



Product overview

Low profile and deep profile plastic housings with removable end panels. Ideal for communication equipment such as Wi-Fi routers.

- Stylishly designed ABS plastic case with double detachable panels
- Flame resistant ABS (UL94-V0), 30 sizes, available in off-white and dark grey
- Equipped with built-in bosses for PCB mounting
- Suitable for WiFi access points, measuring equipment, control and communication applications
- 92 series has been designed to meet the requirements of IP40



SPECIFICATION	
Materials	Base, top and panel UL94-V0 ABS
Protection class	94 series has been designed to meet the requirements of IP40
Operating temperature	-10°C to +60°C
Standard colours	Dark grey Off-white
Standard unit includes	Base, top and panel 4x self tapping screw 4x rubber feet

DARK GREY	WHITE	LENGTH	WIDTH	HEIGHT
CDE9201DG	CDE9201WH	100mm	150mm	30mm
CDE9202DG	CDE9202WH	100mm	150mm	45mm
CDE9203DG	CDE9203WH	150mm	150mm	30mm
CDE9204DG	CDE9204WH	150mm	150mm	45mm
CDE9205DG	CDE9205WH	135mm	200mm	40mm
CDE9206DG	CDE9206WH	135mm	200mm	60mm
CDE9207DG	CDE9207WH	135mm	200mm	60mm
CDE9208DG	CDE9208WH	135mm	200mm	60mm
CDE9209DG	CDE9209WH	67mm	100mm	22.5mm
CDE9210DG	CDE9210WH	100mm	100mm	22.5mm
CDE9211DG	CDE9211WH	150mm	100mm	22.5mm
CDE9212DG	CDE9212WH	67mm	100mm	35mm
CDE9213DG	CDE9213WH	100mm	100mm	35mm
CDE9214DG	CDE9214WH	150mm	100mm	35mm
CDE9215DG	CDE9215WH	150mm	100mm	55mm
CDE9216DG	CDE9216WH	85mm	125mm	25mm
CDE9217DG	CDE9217WH	125mm	125mm	25mm
CDE9218DG	CDE9218WH	190mm	125mm	25mm
CDE9219DG	CDE9219WH	85mm	125mm	40mm
CDE9220DG	CDE9220WH	125mm	125mm	40mm
CDE9221DG	CDE9221WH	190mm	125mm	40mm
CDE9222DG	CDE9222WH	190mm	125mm	60mm
CDE9223DG	CDE9223WH	120mm	175mm	35mm
CDE9224DG	CDE9224WH	175mm	175mm	35mm
CDE9225DG	CDE9225WH	120mm	175mm	50mm
CDE9226DG	CDE9226WH	175mm	175mm	50mm
CDE9227DG	CDE9227WH	165mm	240mm	42.5mm
CDE9228DG	CDE9228WH	240mm	240mm	42.5mm
CDE9229DG	CDE9229WH	165mm	240mm	60mm
CDE9230DG	CDE9230WH	240mm	240mm	60mm

268
HANDHELD CASES

292
UNIVERSAL ENCLOSURES

318
HEAVY DUTY AND ELECTRICAL ENCLOSURES

342
DESKTOP AND INSTRUMENT CASES

348
DEVELOPMENT BOARD ENCLOSURES

367
ROOM SENSOR ENCLOSURES

370
CUSTOM SIZED ENCLOSURES

PLASTIC ENCLOSURES

309

DARK GREY	WHITE	LENGTH	WIDTH	HEIGHT	
CDE9231DG	CDE9231WH	200mm	280mm	45mm	NEW
CDE9232DG	CDE9232WH	200mm	280mm	65mm	NEW
CDE9233DG	CDE9233WH	200mm	280mm	90mm	NEW
CDE9234DG	CDE9234WH	225mm	320mm	45mm	NEW
CDE9235DG	CDE9235WH	225mm	320mm	65mm	NEW
CDE9236DG	CDE9236WH	225mm	320mm	90mm	NEW

KEY FEATURES

Flame resistant ABS | 36 sizes available | Removable end panels



94 series flanged comms boxes

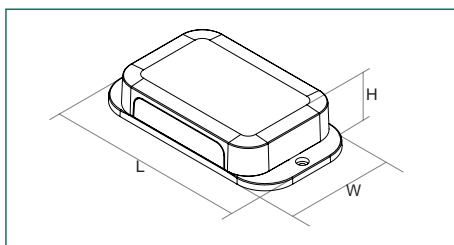


Product overview

Flanged low profile and deep profile plastic housings with removable end panels. Ideal for surface mounted communication equipment such as Wi-Fi routers.

- Stylishly designed ABS plastic case with double detachable panels
- Flanged sides for surface or wall mounting
- Flame resistant ABS (UL94-V0), 24 sizes, available in off-white
- Equipped with built-in bosses for PCB mounting
- Suitable for WiFi access points, measuring equipment, control and communication applications
- 94 series has been designed to meet the requirements of IP40

CDE94



SPECIFICATION

Materials	ABS UL94-V0
Protection class	94 series has been designed to meet the requirements of IP40
Operating temperature	-10°C to +60°C
Standard colours	Off-white
Standard unit includes	Top cover, flanged base x2 panels x4 self tapping screws

PART NO.	LENGTH	WIDTH	HEIGHT
CDE9401WH	67.3mm	124.3mm	22.5mm
CDE9402WH	100.3mm	124.3mm	22.5mm
CDE9403WH	67.3mm	124.3mm	35mm
CDE9404WH	100.3mm	124.3mm	35mm
CDE9405WH	85.3mm	149.3mm	25mm
CDE9406WH	125.3mm	155.3mm	25mm
CDE9407WH	85.3mm	149.3mm	40mm
CDE9408WH	125.3mm	155.3mm	40mm
CDE9409WH	100.4mm	180.4mm	30mm
CDE9410WH	150.4mm	180.4mm	30mm
CDE9411WH	100.4mm	180.4mm	45mm
CDE9412WH	150.4mm	205.4mm	45mm
CDE9413WH	120.4mm	205.4mm	35mm
CDE9414WH	175.4mm	205.4mm	35mm
CDE9415WH	120.4mm	205.4mm	50mm
CDE9416WH	175.4mm	205.4mm	50mm
CDE9417WH	135.5mm	230.5mm	40mm
CDE9418WH	200.5mm	230.5mm	40mm
CDE9419WH	135.5mm	230.5mm	60mm
CDE9420WH	200.5mm	230.5mm	60mm
CDE9421WH	165.5mm	270.5mm	42.5mm
CDE9422WH	240.5mm	270.5mm	42.5mm
CDE9423WH	165.5mm	270.5mm	60mm
CDE9424WH	240.5mm	270.5mm	60mm

268
HANDHELD CASES

292
UNIVERSAL ENCLOSURES

318
HEAVY DUTY AND ELECTRICAL ENCLOSURES

342
DESKTOP AND INSTRUMENT CASES

348
DEVELOPMENT BOARD ENCLOSURES

367
ROOM SENSOR ENCLOSURES

370
CUSTOM SIZED ENCLOSURES

PLASTIC ENCLOSURES

311

PART NO.	LENGTH	WIDTH	HEIGHT	
CDE9425WH	200.5mm	310.5mm	45mm	NEW
CDE9426WH	200.5mm	310.5mm	65mm	NEW
CDE9427WH	200.5mm	310.5mm	90mm	NEW
CDE9428WH	225.5mm	350.5mm	45mm	NEW
CDE9429WH	225.5mm	350.5mm	70mm	NEW
CDE9430WH	225.5mm	350.5mm	100mm	NEW

KEY FEATURES

Flame resistant ABS | 24 sizes available | Flanged for wall mounting

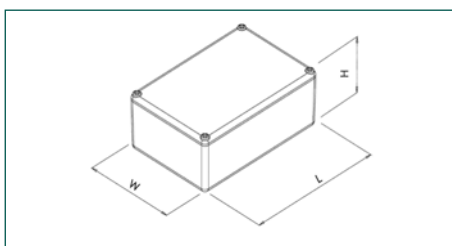


200 series small ABS boxes with lid - UL94-HB

Product overview

Extensive range of ABS boxes for electrical components. Supplied with lid.

- Encapsulate and protect electronic components
- Ideal for partial or complete potting
- Moulded in ABS, UL94-HB
- Lid mounted by 4x fixing screws
- Highly resistant to most chemicals
- High rigidity and impact strength



SPECIFICATION

Materials	ABS UL94-HB
Operating temperature	-10°C to +60°C
Standard colours	Black and white
Standard unit colours	Lid and base 4x screws Packs of 5

BLACK	WHITE	LENGTH	WIDTH	HEIGHT
RX2002/S-5	-	23mm	16mm	11mm
RX2003/S-5	-	26mm	18mm	13mm
RX2004/S-5	-	29mm	21mm	14mm
RX2005/S-5	RX2005/S-5-WH	34mm	24mm	16mm
RX2KL03/S-5	-	37mm	18mm	13mm
RX2006/S-5	RX2006/S-5-WH	40mm	28mm	18mm
RX2KL04/S-5	-	42mm	21mm	15mm
RX2007/S-5	RX2007/S-5-WH	46mm	32mm	20mm
RX2KL05/S-5	-	49mm	24mm	16mm
RX2008/S-5	RX2008/S-5-WH	54mm	38mm	23mm
RX2KL06/S-5	-	58mm	28mm	18mm
RX2009/S-5	RX2009/S-5-WH	64mm	44mm	25mm
RX2KL07/S-5	-	67mm	32mm	20mm
RX2010/S-5	RX2010/S-5-WH	74mm	50mm	28mm

KEY FEATURES

Chemical resistant | High impact strength | Moulded in ABS

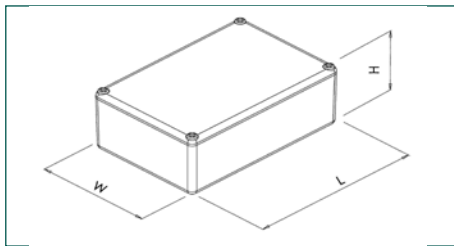
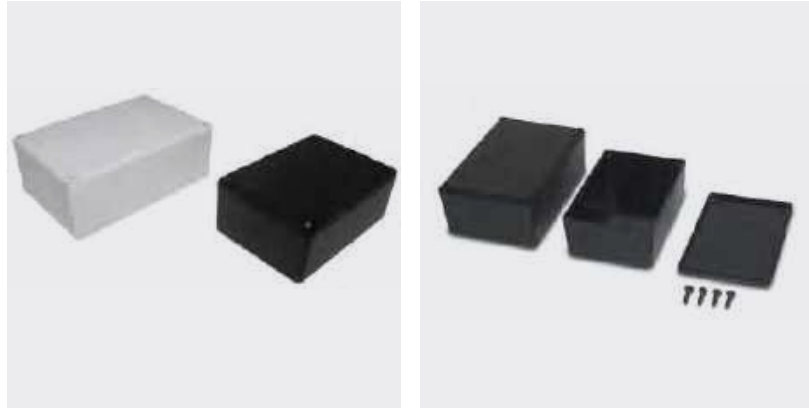


200 series small ABS boxes with lid - UL94-V0

Product overview

ABS UL94-V0 small ABS enclosures

- Encapsulate and protect electronic components
- Ideal for partial or complete potting
- Moulded in ABS - UL94-V0
- Lid mounted by 4x fixing screws
- Highly resistant to most chemicals
- High rigidity and impact strength



SPECIFICATION

Materials	ABS UL94-V0
Operating temperature	-10°C to +60°C
Standard colours	Black and white
Standard unit colours	Lid and base 4x screws Packs of 5

BLACK	WHITE	LENGTH	WIDTH	HEIGHT
RX2005/S-FB-5	RX2005/S-FB-5-WH	34mm	24mm	16mm
RX2006/S-FB-5	RX2006/S-FB-5-WH	40mm	28mm	18mm
RX2007/S-FB-5	RX2007/S-FB-5-WH	46mm	32mm	20mm
RX2008/S-FB-5	RX2008/S-FB-5-WH	54mm	38mm	23mm
RX2009/S-FB-5	RX2009/S-FB-5-WH	64mm	44mm	25mm
RX2010/S-FB-5	RX2010/S-FB-5-WH	74mm	50mm	28mm

KEY FEATURES

Chemical resistant | Ideal for potting | Moulded in ABS- UL94-V0

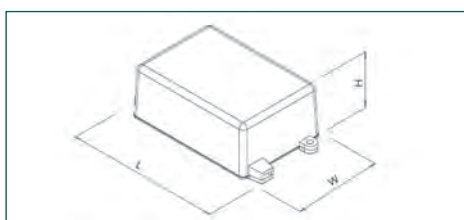


400 series lugged cable entry boxes

Product overview

ABS boxes with mounting lugs and moulded cable entries. Supplied with flush-fitting lid.

- Moulded in ABS UL94-HB
- Press-fit flush lid (screw mounted lid 400-019)
- Lugs provide added security once mounted by restricting access
- 1x or 2x moulded cable entries (see table)
- Label recess in base (400-019 only)
- Highly resistant to most chemicals
- High-rigidity and impact strength
- Compliant with water absorption to DIN53495
- Maximum protection against shock, chemicals, moisture and temperature



SPECIFICATION		
Materials	ABS	
Operating temperature	Resistant to continuous operating temperatures up to 70°C	
Standard colours	Black	
Standard unit includes	400-019	Lid and base
	400-011 to 400-017	2x fixing screws Lid and base



BLACK	CABLE INLETS	LENGTH	WIDTH	HEIGHT
400-011	3	65mm	38mm	22mm
400-013	3	65mm	38mm	27mm
400-015	3	72mm	44mm	22mm
400-017	3	72mm	44mm	27mm
400-019	2	82mm	57mm	33mm

KEY FEATURES

Moulded in ABS, UL94-HB | Highly resistant | High-impact strength

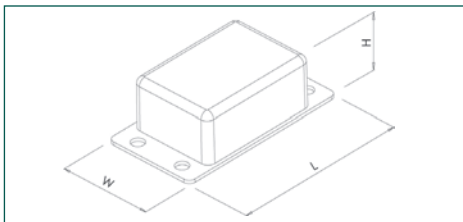


500 series small flanged ABS boxes

Product overview

A comprehensive range of ABS boxes with flush-fitting lid and flanged body for partial or complete potting of electronic components.

- Moulded in ABS UL94-HB
- Flush-fitting lid mounted by 4x fixing screws
- Lugs provide added security once mounted by restricting access
- Flanged body with 4x mounting holes
- Ideal for partial or complete potting
- Compliant with water absorption specifications to DIN53495
- High-rigidity and impact strength
- Highly resistant to most chemicals



SPECIFICATION

Materials	Lid and base ABS, UL94-HB
Operating temperature	-20°C to +80°C
Standard colours	Black
Standard unit includes	Lid and base 4x screws Packs of 5

*UL94-V0 to order

BLACK	LENGTH	WIDTH	HEIGHT
RX505A	36mm	26mm	17mm
RX506A	42mm	30mm	19mm
RX507A	48mm	34mm	21mm
RX508A	56mm	40mm	24mm
RX509A	66mm	46mm	26mm
RX510A	76mm	52mm	29mm

KEY FEATURES

Moulded in ABS, UL94-HB | Flanged body | Flush-fitting lid

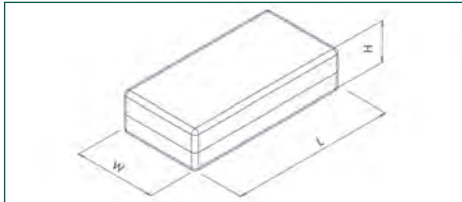


300 series multi-purpose boxes

Product overview

An economic range of multi-purpose flame retardant ABS enclosures with deep-profile lid.

- Moulded in UL94-V0 ABS
- Lid mounted by 4x self-tapping screws (smallest and largest sizes snap-fit)
- PCB pillars in base



SPECIFICATION	
Materials	Lid and base ABS, UL94-V0
Operating temperature	Resistant to temperatures up to 80°C
Standard colours	Light grey similar to RAL 7035 Black similar to RAL 5004
Standard unit includes	Lid and base 4x self-tapping screws

BLACK	GREY	LENGTH	WIDTH	HEIGHT	SNAP-FIT LID
BE300-5030B	BE300-5030G	50mm	50mm	30mm	Yes
BE300-5025B	BE300-5025G	100mm	50mm	25mm	No
BE300-5040B	BE300-5040G	100mm	50mm	40mm	No
BE300-6540B	BE300-6540G	120mm	65mm	40mm	No
BE300-6565B	BE300-6565G	120mm	65mm	66mm	No
BE300-1145B	BE300-1145G	185mm	110mm	45mm	Yes

KEY FEATURES

UL94-V0 ABS | Deep profile lid | PCB mounting

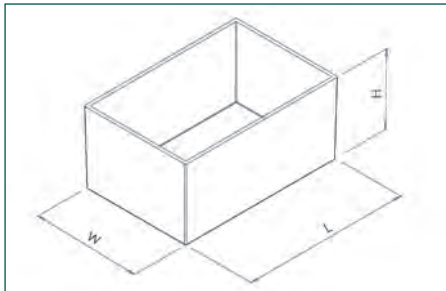


100 series open potting boxes

Product overview

Comprehensive range of open top potting boxes. Maximum protection against shock, chemicals, moisture and temperature.

- Encapsulate and protect electronic components
- Moulded in ABS
- Highly resistant to most chemicals
- High rigidity and impact strength
- Compliant with water absorption specifications to DIN53495



SPECIFICATION	
Materials	ABS UL94-HB as standard, UL94-V0 to order
Operating temperature	-20°C to +80°C
Standard colours	Black
Standard unit includes	Box Supplied in packs of 10

BLACK	LENGTH	WIDTH	HEIGHT	WALL THICKNESS
RTM101-BLK	25mm	20mm	15mm	1mm
RTM102-BLK	30mm	20mm	15mm	1mm
RTM103-BLK	40mm	35mm	20mm	1mm
RTM104-BLK	50mm	40mm	30mm	1mm
RTM105-BLK	75mm	50mm	35mm	1.4mm
RTM106-BLK	100mm	60mm	25mm	1.5mm
RTM107-BLK	40mm	40mm	20mm	1mm
RTM108-BLK	50mm	50mm	30mm	1mm
RTM109-BLK	11mm	11mm	9mm	0.5mm
RTM110-BLK	22mm	14mm	9mm	0.5mm
RTM111-BLK	30mm	30mm	20mm	1mm
RTM112-BLK	25mm	25mm	25mm	1mm
RTM113-BLK	40mm	40mm	30mm	1mm
RTM114-BLK	75mm	75mm	40mm	1mm
RTM115-BLK	89mm	64mm	33mm	1.5mm
RTM116-BLK	100mm	50mm	25mm	1.3mm

KEY FEATURES

Protection against shock | Moulded in ABS | High-impact strength



268
HANDHELD CASES

292
UNIVERSAL
ENCLOSURES

318
HEAVY DUTY
AND ELECTRICAL
ENCLOSURES

342
DESKTOP AND
INSTRUMENT
CASES

348
DEVELOPMENT
BOARD
ENCLOSURES

367
ROOM SENSOR
ENCLOSURES

370
CUSTOM SIZED
ENCLOSURES

HEAVY DUTY AND ELECTRICAL ENCLOSURES

A wide variety of robust ABS and polycarbonate enclosures designed for outdoor, harsh, and electrical applications.

		
X6 series electrical knockout enclosures - polycarbonate 320	X6 series electrical knockout enclosures - ABS 321	X7 series electrical heavy duty enclosures - polycarbonate 322
		
X7 series electrical heavy duty enclosures - ABS 323	X8 series electrical hinged lid enclosure - polycarbonate 324	X8 series electrical hinged lid enclosure - ABS 325
		
7200 series polycarbonate cases 330	7300 series ABS cases 331	71 series flanged IP66 enclosures 332
		
72 series flanged IP66 enclosures 332	7710 series hinged wall mount enclosures 333	7740 series screw fastening wall mount enclosures 334

PLASTIC ENCLOSURES

268
HANDHELD CASES

292
UNIVERSAL
ENCLOSURES

318
HEAVY DUTY
AND ELECTRICAL
ENCLOSURES

342
DESKTOP AND
INSTRUMENT
CASES

348
DEVELOPMENT
BOARD
ENCLOSURES

367
ROOM SENSOR
ENCLOSURES

370
CUSTOM SIZED
ENCLOSURES

PLASTIC ENCLOSURES

319



Electrical enclosures

335



Electrical control switch enclosures

336



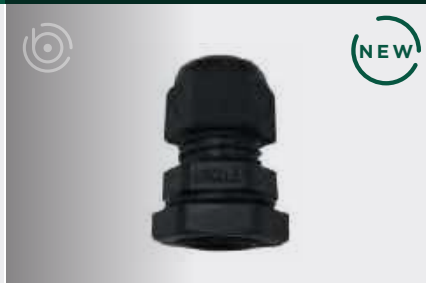
89 series terminal block junction box

338



91 series IP67 low profile cases

339



Enclosure accessories - cable glands

341



Enclosure accessories - waterproof data connectors

341

X6 series electrical knockout enclosures - polycarbonate

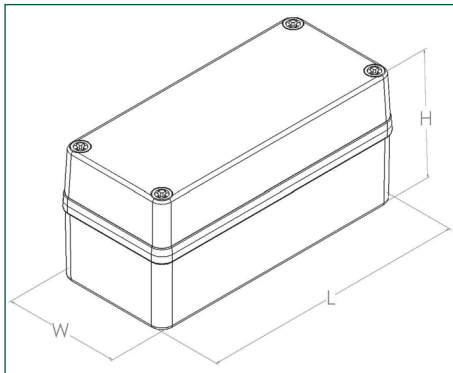
Product overview

- Screw type lid with knockouts on the base
- Moulded in high quality polycarbonate
- Pillars in the base can be used for PCB mounting or DIN rail mounting, etc.
- Gasket moulded into the enclosure lid
- Clear lid option available
- Captive, polyamide lid screws included
- Larger sizes include two brass inserts at either end of the base, suitable for DIN rails
- Wall mounting accessories available
- X6 series meets the requirements of IP67 (equivalent to NEMA 6)
- IK08 impact tested



SPECIFICATION

Materials	Polycarbonate UL94-V0
Operating temperature	-40°C to +110°C
Protection class	X6 series has been tested and meets the requirements of IP67, IK08
Standard colours	Grey, transparent lid option
Standard unit includes	Box, lid, 4 screws
Available accessories	Mount plates and wall mounts



SOLID LID	CLEAR LID	LENGTH	WIDTH	HEIGHT
CHDX6-221	CHDX6-221C	110mm	80mm	70mm
CHDX6-222	CHDX6-222C	110mm	80mm	85mm
CHDX6-223	CHDX6-223C	130mm	80mm	70mm
CHDX6-224	CHDX6-224C	130mm	80mm	85mm
CHDX6-225	CHDX6-225C	180mm	80mm	70mm
CHDX6-226	CHDX6-226C	180mm	80mm	85mm
CHDX6-227	CHDX6-227C	250mm	80mm	70mm
CHDX6-228	CHDX6-228C	250mm	80mm	85mm
CHDX6-229	CHDX6-229C	175mm	127mm	75mm
CHDX6-230	CHDX6-230C	175mm	127mm	100mm

KEY FEATURES

IP67 rated enclosure | IK07/08 impact tested | Metric sized knockouts



268
HANDHELD CASES

292
UNIVERSAL
ENCLOSURES

318
HEAVY DUTY
AND ELECTRICAL
ENCLOSURES

342
DESKTOP AND
INSTRUMENT
CASES

348
DEVELOPMENT
BOARD
ENCLOSURES

367
VERSATILE IOT
AND SENSOR
ENCLOSURES

370
CUSTOM SIZED
ENCLOSURES

X6 series electrical knockout enclosures - ABS

Product overview

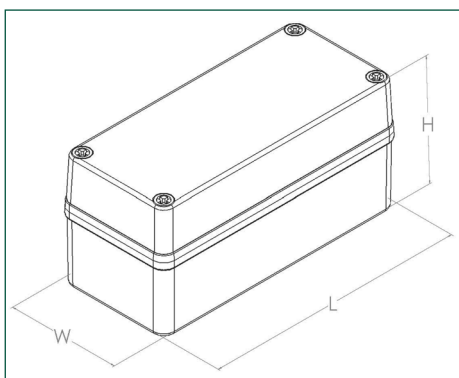
- Screw type lid with knockouts on the base
- Moulded in high quality ABS
- Pillars in the base can be used for PCB mounting or DIN rail mounting, etc.
- Gasket moulded into the enclosure lid
- Clear lid option available
- Captive, polyamide lid screws included
- Larger sizes include two brass inserts at either end of the base, suitable for DIN rails
- Wall mounting accessories available
- X6 series meets the requirements of IP67 (equivalent to NEMA 6)
- IK08 impact tested

CHDX6



SPECIFICATION

Materials	ABS UL94-HB
Operating temperature	-40°C- to + 70°C
Protection class	X6 series has been tested and meets the requirements of IP67, IK08
Standard colours	Grey, transparent lid option
Standard unit includes	Box, lid, 4 screws
Available accessories	Mount plates and wall mounts



SOLID LID	CLEAR LID	LENGTH	WIDTH	HEIGHT
CHDX6-321	CHDX6-321C	110mm	80mm	70mm
CHDX6-322	CHDX6-322C	110mm	80mm	85mm
CHDX6-323	CHDX6-323C	130mm	80mm	70mm
CHDX6-324	CHDX6-324C	130mm	80mm	85mm
CHDX6-325	CHDX6-325C	180mm	80mm	70mm
CHDX6-326	CHDX6-326C	180mm	80mm	85mm
CHDX6-327	CHDX6-327C	250mm	80mm	70mm
CHDX6-328	CHDX6-328C	250mm	80mm	85mm
CHDX6-329	CHDX6-329C	175mm	127mm	75mm
CHDX6-330	CHDX6-330C	175mm	127mm	100mm

KEY FEATURES

High quality ABS | IP67 rated enclosure | IK07/08 impact tested



PLASTIC ENCLOSURES

320

+44 (0)1638 716101 | sales@camdenboss.com | www.camdenboss.com

We operate a constant improvement policy, our products are subject to change without notice.

Vers 4



268
HANDHELD CASES292
UNIVERSAL
ENCLOSURES318
HEAVY DUTY
AND ELECTRICAL
ENCLOSURES342
DESKTOP AND
INSTRUMENT
CASES348
DEVELOPMENT
BOARD
ENCLOSURES367
VERSATILE IOT
AND SENSOR
ENCLOSURES370
CUSTOM SIZED
ENCLOSURES

X7 series electrical heavy duty enclosures - polycarbonate

Product overview

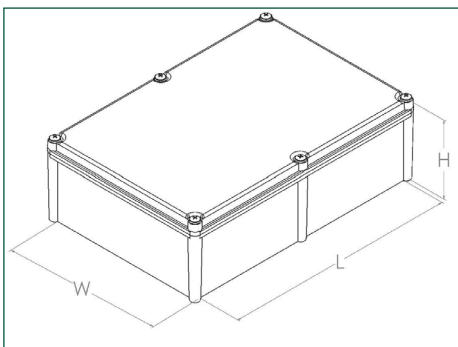
- Heavy duty screw type enclosure
- Moulded in high quality polycarbonate
- Pillars in the base can be used for PCB mounting or DIN rail mounting, etc.
- Gasket moulded into the enclosure lid
- Clear lid option available
- Captive, polyamide lid screws included
- Wall mount accessory available
- X7 series meets the requirements of IP67 (equivalent to NEMA 6)
- IK08 impact tested

CHDX7



SPECIFICATION

Materials	Polycarbonate UL94-V0
Operating temperature	-40°C to +110°C
Protection class	X7 series has been tested and meets the requirements of IP67, IK08
Standard colours	Grey, transparent lid option
Standard unit Includes	Box and lid, 4 screws
Available accessories	Mount plates, vents, wall mounts



SOLID LID	CLEAR LID	LENGTH	WIDTH	HEIGHT	CORNER PILLARS
CHDX7-237	CHDX7-237C	80mm	80mm	60mm	No
CHDX7-221	CHDX7-221C	190mm	190mm	130mm	Yes
CHDX7-222	CHDX7-222C	380mm	190mm	130mm	Yes
CHDX7-223	CHDX7-223C	380mm	190mm	180mm	Yes
CHDX7-224	CHDX7-224C	380mm	280mm	180mm	Yes
CHDX7-225	CHDX7-225C	430mm	330mm	180mm	Yes
CHDX7-226	CHDX7-226C	280mm	190mm	130mm	Yes
CHDX7-227	CHDX7-227C	280mm	190mm	180mm	Yes
CHDX7-228	CHDX7-228C	280mm	280mm	130mm	Yes
CHDX7-229	CHDX7-229C	340mm	280mm	130mm	Yes
CHDX7-230	CHDX7-230C	380mm	280mm	130mm	Yes
CHDX7-231	CHDX7-231C	560mm	280mm	130mm	Yes
CHDX7-232	CHDX7-232C	560mm	380mm	180mm	Yes

KEY FEATURES

Rugged heavy duty mould | IP67 rated enclosure | PCB stand offs



PLASTIC ENCLOSURES



+44 (0)1638 716101 | sales@camdenboss.com | www.camdenboss.com

We operate a constant improvement policy, our products are subject to change without notice.

Vers 5

321

268
HANDHELD CASES

292
UNIVERSAL
ENCLOSURES

318
HEAVY DUTY
AND ELECTRICAL
ENCLOSURES

342
DESKTOP AND
INSTRUMENT
CASES

348
DEVELOPMENT
BOARD
ENCLOSURES

367
VERSATILE IOT
AND SENSOR
ENCLOSURES

370
CUSTOM SIZED
ENCLOSURES

X7 series electrical heavy duty enclosures - ABS

Product overview

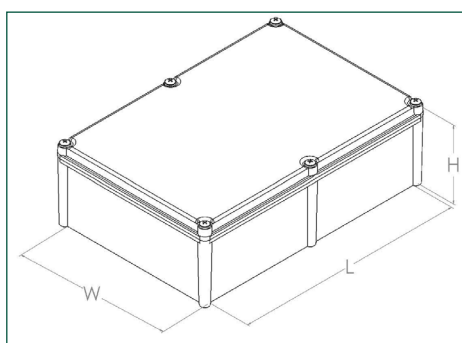
- Heavy duty screw type enclosure
- Moulded in high quality ABS
- Pillars in the base can be used for PCB mounting or DIN rail mounting, etc.
- Gasket moulded into the enclosure lid
- Clear lid option available
- Captive, polyamide lid screws included
- Wall mount accessory available
- X7 series meets the requirements of IP67 (equivalent to NEMA 6)
- IK08 impact tested

CHDX7



SPECIFICATION

Materials	ABS UL94-HB
Operating temperature	-40°C- to + 70°C
Protection class	X7 series has been tested and meets the requirements of IP67, IK08
Standard colours	Grey, transparent lid option
Standard unit Includes	Box and lid, 4 screws
Available accessories	Mount plates, vents, wall mounts



SOLID LID	CLEAR LID	LENGTH	WIDTH	HEIGHT	CORNER PILLARS
CHDX7-337	CHDX7-337C	80mm	80mm	60mm	No
CHDX7-321	CHDX7-321C	190mm	190mm	130mm	Yes
CHDX7-322	CHDX7-322C	380mm	190mm	130mm	Yes
CHDX7-323	CHDX7-323C	380mm	190mm	180mm	Yes
CHDX7-324	CHDX7-324C	380mm	280mm	180mm	Yes
CHDX7-325	CHDX7-325C	430mm	330mm	180mm	Yes
CHDX7-326	CHDX7-326C	280mm	190mm	130mm	Yes
CHDX7-327	CHDX7-327C	280mm	190mm	180mm	Yes
CHDX7-328	CHDX7-328C	280mm	280mm	130mm	Yes
CHDX7-329	CHDX7-329C	340mm	280mm	130mm	Yes
CHDX7-330	CHDX7-330C	380mm	280mm	130mm	Yes
CHDX7-331	CHDX7-331C	560mm	280mm	130mm	Yes
CHDX7-332	CHDX7-332C	560mm	380mm	180mm	Yes

KEY FEATURES

Rugged heavy duty mould | IP67 rated enclosure | PCB stand offs



PLASTIC ENCLOSURES

322

+44 (0)1638 716101 | sales@camdenboss.com | www.camdenboss.com

We operate a constant improvement policy, our products are subject to change without notice.

Vers 5



X8 series electrical hinged lid enclosure - polycarbonate

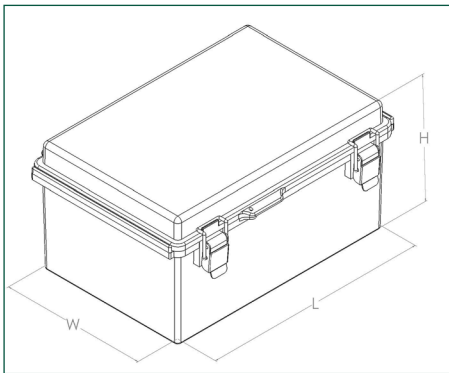
Product overview

- Heavy duty hinge lid and latch enclosure
- Moulded in high quality polycarbonate
- Pillars in the base can be used for PCB mounting or DIN rail mounting, etc.
- Brass inserts in the base
- Gasket moulded into the enclosure lid
- Clear lid option available
- Wall mounting accessories available
- Key lock latch accessories available
- X8 series meets the requirements of IP67 (equivalent to NEMA 6)
- IK08 impact tested



SPECIFICATION

Materials	Polycarbonate UL94-V0
Operating temperature	-40°C to +110°C
Protection class	X8 series has been tested and meets the requirements of IP67, IK08
Standard colours	Grey, transparent lid option
Standard unit Includes	Box and lid
Available accessories	Dual door kit, mount plates, integral lock, vents, wall mounts



SOLID LID	CLEAR LID	LENGTH	WIDTH	HEIGHT
CHDX8-221	CHDX8-221C	260mm	110mm	75mm
CHDX8-222	CHDX8-222C	260mm	110mm	100mm
CHDX8-223	CHDX8-223C	185mm	135mm	85mm
CHDX8-224	CHDX8-224C	185mm	135mm	100mm
CHDX8-225	CHDX8-225C	220mm	170mm	110mm
CHDX8-226	CHDX8-226C	270mm	170mm	110mm
CHDX8-227	CHDX8-227C	300mm	200mm	150mm
CHDX8-228	CHDX8-228C	300mm	200mm	180mm
CHDX8-229	CHDX8-229C	210mm	210mm	100mm
CHDX8-230	CHDX8-230C	350mm	250mm	180mm
CHDX8-231	CHDX8-231C	300mm	300mm	180mm
CHDX8-232	CHDX8-232C	400mm	300mm	180mm
CHDX8-233	CHDX8-233C	500mm	400mm	200mm
CHDX8-234	CHDX8-234C	630mm	530mm	255mm
CHDX8-235	CHDX8-235C	830mm	630mm	185mm
CHDX8-236	CHDX8-236C	830mm	630mm	285mm

KEY FEATURES

Easy component maintenance | Heavy duty hinge | Brass inserts



268
HANDHELD CASES

292
UNIVERSAL
ENCLOSURES

318
HEAVY DUTY
AND ELECTRICAL
ENCLOSURES

342
DESKTOP AND
INSTRUMENT
CASES

348
DEVELOPMENT
BOARD
ENCLOSURES

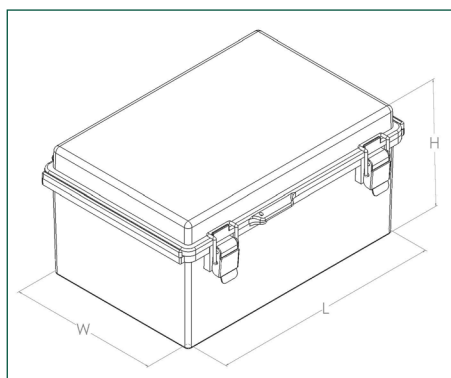
367
VERSATILE IOT
AND SENSOR
ENCLOSURES

370
CUSTOM SIZED
ENCLOSURES

X8 series electrical hinged lid enclosure - ABS

Product overview

- Heavy duty hinge lid and latch enclosure
- Moulded in high quality ABS
- Pillars in the base can be used for PCB mounting or DIN rail mounting, etc.
- Brass inserts in the base
- Gasket moulded into the enclosure lid
- Clear lid option available
- Wall mounting accessories available
- Key lock latch accessories available
- X8 series meets the requirements of IP67 (equivalent to NEMA 6)
- IK08 impact tested



SPECIFICATION

Materials	ABS UL94-HB
Operating temperature	-40°C- to + 70°C
Protection class	X8 series has been tested and meets the requirements of IP67, IK08
Standard colours	Grey, transparent lid option
Standard unit Includes	Box and lid
Available accessories	Dual door kit, mount plates, integral lock, vents, wall mounts

SOLID LID	CLEAR LID	LENGTH	WIDTH	HEIGHT
CHDX8-321	CHDX8-321C	260mm	110mm	75mm
CHDX8-322	CHDX8-322C	260mm	110mm	100mm
CHDX8-323	CHDX8-323C	185mm	135mm	85mm
CHDX8-324	CHDX8-324C	185mm	135mm	100mm
CHDX8-325	CHDX8-325C	220mm	170mm	110mm
CHDX8-326	CHDX8-326C	270mm	170mm	110mm
CHDX8-327	CHDX8-327C	300mm	200mm	150mm
CHDX8-328	CHDX8-328C	300mm	200mm	180mm
CHDX8-329	CHDX8-329C	210mm	210mm	100mm
CHDX8-330	CHDX8-330C	350mm	250mm	180mm
CHDX8-331	CHDX8-331C	300mm	300mm	180mm
CHDX8-332	CHDX8-332C	400mm	300mm	180mm
CHDX8-333	CHDX8-333C	500mm	400mm	200mm
CHDX8-334	CHDX8-334C	630mm	530mm	255mm
CHDX8-335	CHDX8-335C	830mm	630mm	185mm
CHDX8-336	CHDX8-336C	830mm	630mm	285mm

KEY FEATURES

Easy component maintenance | PCB stand offs | Heavy duty hinge



ACCESSORIES

Vents to fit X6, X7 and X8 enclosures

- Vents in two sizes for heat extraction
- The vent includes a gasket for water resistant applications
- Designed to meet the requirements of IP34



PART NO.	CUTOUT DIAMETER	MATERIAL
CHDA201V	63	Polycarbonate
CHDA202V	88	Polycarbonate
CHDA301V	63	ABS
CHDA302V	88	ABS

Mounting brackets to fit X6, X7 and X8 enclosures

- Brackets to mount each enclosure to any surface/wall
- See cross reference page 328 to select the correct size for your enclosure
- Sold individually



PART NO.	SIZE	
CHDAPB014	1	Mount bracket, size 1, 4x12 S/T screw
CHDAPB015	1	Mount bracket, size 1, 5x12 S/T screw
CHDAPB025	2	Mount bracket, size 2, 5x12 metric screw
CHDAPB026	2	Mount bracket, size 2, 6x12 metric screw

Mounting plates to fit X6, X7 and X8 enclosures

- Material: Steel
- Mounting plates for each enclosure available
- See cross reference page 329 to select the correct size for your enclosure



PART NO.	LENGTH	WIDTH
CHDASMP21	65mm	95mm
CHDASMP22	65mm	115mm
CHDASMP23	65mm	165mm
CHDASMP24	65mm	235mm
CHDASMP25	101mm	161mm
CHDASMP26	159mm	159mm
CHDASMP27	159mm	248mm
CHDASMP28	248mm	348mm
CHDASMP29	295mm	395mm
CHDASMP30	85mm	232mm
CHDASMP32	129mm	179mm
CHDASMP33	129mm	224mm
CHDASMP34	170mm	266mm
CHDASMP35	179mm	179mm
CHDASMP36	216mm	316mm
CHDASMP37	262mm	262mm
CHDASMP38	265mm	365mm
CHDASMP39	358mm	458mm
CHDASMP40	450mm	555mm
CHDASMP41	550mm	755mm
CHDASMP42	248mm	248mm
CHDASMP43	248mm	308mm
CHDASMP44	232mm	535mm
CHDASMP45	345mm	535mm
CHDASMP46	159mm	348mm
CHDASMP49	65mm	65mm



268
HANDHELD CASES

292
UNIVERSAL
ENCLOSURES

318
HEAVY DUTY
AND ELECTRICAL
ENCLOSURES

342
DESKTOP AND
INSTRUMENT
CASES

348
DEVELOPMENT
BOARD
ENCLOSURES

367
VERSATILE IOT
AND SENSOR
ENCLOSURES

370
CUSTOM SIZED
ENCLOSURES

ACCESSORIES

Dual door to fit the X8 enclosure

- Dual door available for some sizes
- Easy to assemble, sturdy construction
- See cross reference page 328 to select the correct size for your enclosure



PART NO.	KIT INCLUDES
CHDX807DD	4 legs, 1 door, 1 door handle, 1 frame, 8 screws
CHDX808DD	4 legs, 1 door, 1 door handle, 1 frame, 8 screws
CHDX810DD	4 legs, 1 door, 1 door handle, 1 frame, 8 screws
CHDX811DD	4 legs, 1 door, 1 door handle, 1 frame, 8 screws
CHDX812DD	4 legs, 1 door, 1 door handle, 1 frame, 8 screws
CHDX813DD	4 legs, 1 door, 1 door handle, 1 frame, 8 screws
CHDX814DD	4 legs, 1 door, 1 door handle, 1 frame, 8 screws

Lock to fit the X8 enclosure

- One or two locks can be fitted, depending on security level required
- See cross reference page 328 to select the correct size for your enclosure
- Moulded in high quality polycarbonate



PART NO.	SIZE
CHDA01IL	1
CHDA02IL	2
CHDA03IL	3
CHDA04IL	4

ACCESSORIES FOR X6, X7 AND X8 SERIES

ENCLOSURE PART NO.		W/MOUNT				LOCKS				DUAL DOOR						
POLY	ABS	CHDAPB014	CHDAPB015	CHDAPB025	CHDAPB026	CHDA01L	CHDA02IL	CHDA03IL	CHDA04IL	CHDX807DD	CHDX808DD	CHDX8010DD	CHDX811DD	CHDX812DD	CHDX813DD	CHDX814DD
CHDX6-221	CHDX6-321		●													
CHDX6-222	CHDX6-322		●													
CHDX6-223	CHDX6-323		●													
CHDX6-224	CHDX6-324		●													
CHDX6-225	CHDX6-325		●													
CHDX6-226	CHDX6-326		●													
CHDX6-227	CHDX6-327		●													
CHDX6-228	CHDX6-328		●													
CHDX6-229	CHDX6-329		●													
CHDX6-230	CHDX6-330		●													
CHDX7-221	CHDX7-321			●												
CHDX7-222	CHDX7-322			●												
CHDX7-223	CHDX7-323			●												
CHDX7-224	CHDX7-324			●												
CHDX7-225	CHDX7-325		●													
CHDX7-226	CHDX7-326			●												
CHDX7-227	CHDX7-327			●												
CHDX7-228	CHDX7-328			●												
CHDX7-229	CHDX7-329			●												
CHDX7-230	CHDX7-330			●												
CHDX7-231	CHDX7-331			●												
CHDX7-232	CHDX7-332			●												
CHDX7-237	CHDX7-327		●													
CHDX8-221	CHDX8-321	●				●										
CHDX8-222	CHDX8-322	●				●										
CHDX8-223	CHDX8-333	●				●										
CHDX8-224	CHDX8-324	●				●										
CHDX8-225	CHDX8-325	●				●										
CHDX8-226	CHDX8-326	●				●										
CHDX8-227	CHDX8-327			●			●			●						
CHDX8-228	CHDX8-328			●			●				●					
CHDX8-229	CHDX8-329	●				●										
CHDX8-230	CHDX8-330			●			●				●					
CHDX8-231	CHDX8-331			●			●					●				
CHDX8-232	CHDX8-332			●			●						●			
CHDX8-233	CHDX8-333			●				●							●	
CHDX8-234	CHDX8-334				●				●							●
CHDX8-235	CHDX8-335				●				●							
CHDX8-236	CHDX8-336				●				●							

*Add 'c' suffix for clear lid versions

292
UNIVERSAL ENCLOSURES

318
HEAVY DUTY AND ELECTRICAL ENCLOSURES

342
DESKTOP AND INSTRUMENT CASES

348
DEVELOPMENT BOARD ENCLOSURES

367
VERSATILE IOT AND SENSOR ENCLOSURES

370
CUSTOM SIZED ENCLOSURES

PLASTIC ENCLOSURES

327



268
HANDHELD CASES

292
UNIVERSAL
ENCLOSURES

318
HEAVY DUTY
AND ELECTRICAL
ENCLOSURES

342
DESKTOP AND
INSTRUMENT
CASES

348
DEVELOPMENT
BOARD
ENCLOSURES

367
VERSATILE IOT
AND SENSOR
ENCLOSURES

370
CUSTOM SIZED
ENCLOSURES

ENCLOSURE PART NO.		MOUNTING PLATES																						
POLY	ABS	CHDASMP25	CHDASMP26	CHDASMP27	CHDASMP28	CHDASMP29	CHDASMP30	CHDASMP31	CHDASMP32	CHDASMP33	CHDASMP34	CHDASMP35	CHDASMP36	CHDASMP37	CHDASMP38	CHDASMP39	CHDASMP40	CHDASMP41	CHDASMP42	CHDASMP43	CHDASMP44	CHDASMP45	CHDASMP46	
CHDX6-229	CHDX6-329	●																						
CHDX6-230	CHDX6-330	●																						
CHDX7-221	CHDX7-321		●																					
CHDX7-222	CHDX7-322																							●
CHDX7-223	CHDX7-323																							●
CHDX7-224	CHDX7-324				●																			
CHDX7-225	CHDX7-325					●																		
CHDX7-226	CHDX7-326			●																				
CHDX7-227	CHDX7-327			●																				
CHDX7-228	CHDX7-328																			●				
CHDX7-229	CHDX7-329																				●			
CHDX7-230	CHDX7-330				●																			
CHDX7-231	CHDX7-331																					●		
CHDX7-232	CHDX7-332																						●	
CHDX8-221	CHDX8-321							●																
CHDX8-222	CHDX8-322							●																
CHDX8-223	CHDX8-323								●															
CHDX8-224	CHDX8-324								●															
CHDX8-225	CHDX8-325									●														
CHDX8-226	CHDX8-326										●													
CHDX8-227	CHDX8-327											●												
CHDX8-228	CHDX8-328											●												
CHDX8-229	CHDX8-329												●											
CHDX8-230	CHDX8-330													●										
CHDX8-231	CHDX8-331														●									
CHDX8-232	CHDX8-332															●								
CHDX8-233	CHDX8-333																●							
CHDX8-234	CHDX8-334																	●						
CHDX8-235	CHDX8-335																		●					
CHDX8-236	CHDX8-336																			●				

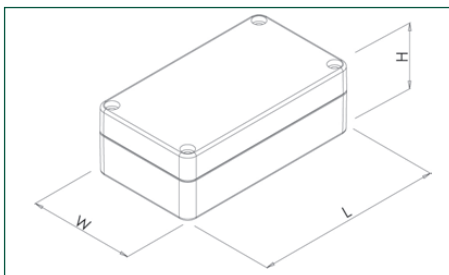
*Add 'c' suffix for clear lid versions

7200 series polycarbonate cases

Product overview

Robust IP65 polycarbonate cases to protect electrical and electronic components in rugged environments.

- Moulded in high grade polycarbonate
- PCB pillars in base with threaded inserts and for self-tapping screws
- Lid mounted by using M4 machine screws
- Easy to use wall-mounting holes
- Neoprene gasket supplied
- Clear lid available
- 7200 series has been designed to meet the requirements of IP65



SPECIFICATION	
Materials	Base and lid high grade polycarbonate
Operating temperature	-40°C to +125°C
Protection class	7200 series has been designed to meet the requirements of IP65
Standard colours	Light grey, similar to RAL 7035
Standard unit includes	Box and lid M4 non-magnetic machine screws Neoprene gasket

GREY LID	CLEAR LID	LENGTH	WIDTH	HEIGHT
7200-250	7200-250C	52mm	50mm	35mm
7200-201	7200-201C	64mm	58mm	35mm
7200-256	7200-256C	82mm	80mm	55mm
7200-203	7200-203C	115mm	65mm	40mm
7200-205	7200-205C	115mm	65mm	55mm
7200-212	7200-212C	115mm	90mm	55mm
7200-221	7200-221C	115mm	90mm	80mm
7200-278	7200-278C	120mm	120mm	60mm
7200-279	7200-279C	120mm	120mm	90mm
7200-258	7200-258C	160mm	80mm	55mm
7200-265	7200-265C	160mm	80mm	85mm
7200-287	7200-287C	160mm	160mm	60mm
7200-288	7200-288C	160mm	160mm	90mm
7200-214	7200-214C	171mm	121mm	55mm
7200-223	7200-223Cz	171mm	121mm	80mm
7200-229	7200-229C	195mm	80mm	55mm
7200-269	7200-269C	200mm	120mm	75mm
7200-218	7200-218C	222mm	146mm	55mm
7200-232	7200-232C	222mm	146mm	75mm
7200-2018	7200-2018C	240mm	160mm	90mm
7200-2025	7200-2025C	240mm	160mm	120mm
7200-238	7200-238C	265mm	185mm	95mm
7200-2029	7200-2029C	300mm	230mm	86mm
7200-2038	7200-2038C	300mm	230mm	111mm
7200-2058	7200-2058C	360mm	200mm	150mm

KEY FEATURES

High grade polycarbonate | wall-mounting | PCB pillars | IP65

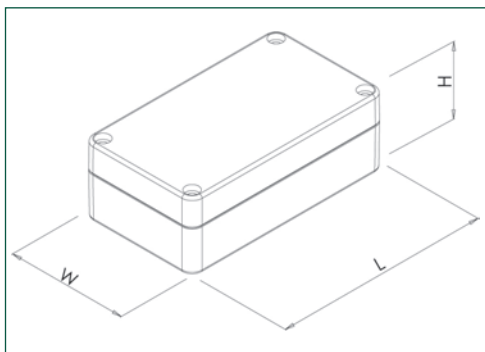


7300 series ABS cases

Product overview

Robust IP65 ABS cases to protect electrical and electronic components in rugged environments.

- Moulded in high quality ABS
- PCB pillars in base with threaded inserts and for self-tapping screws
- Lid mounted by four M3 machine screws
- Neoprene gasket included
- Clear lid option
- 7300 series has been designed to meet the requirements of IP65



SPECIFICATION	
Materials	Base and lid high grade ABS
Operating temperature	-40°C to +80°C
Protection class	7300 series has been designed to meet the requirements of IP65
Standard colours	Dark grey, similar to RAL 7000
Standard unit includes	Box and lid 4x M4 non-magnetic machine screws Neoprene gasket

GREY LID	CLEAR LID	LENGTH	WIDTH	HEIGHT
7300-362	7300-362C	52mm	50mm	35mm
7300-302	7300-302C	64mm	58mm	35mm
7300-366	7300-366C	82mm	80mm	55mm
7300-304	7300-304C	115mm	65mm	40mm
7300-308	7300-308C	115mm	65mm	55mm
7300-311	7300-311C	115mm	90mm	55mm
7300-331	7300-331C	115mm	90mm	80mm
7300-386	7300-386C	120mm	120mm	60mm
7300-387	7300-387C	120mm	120mm	90mm
7300-368	7300-368C	160mm	80mm	55mm
7300-369	7300-369C	160mm	80mm	85mm
7300-396	7300-396C	160mm	160mm	60mm
7300-399	7300-399C	160mm	160mm	90mm
7300-313	7300-313C	171mm	121mm	55mm
7300-340	7300-340C	171mm	121mm	80mm
7300-346	7300-346C	195mm	80mm	55mm
7300-373	7300-373C	200mm	120mm	75mm
7300-317	7300-317C	222mm	146mm	55mm
7300-353	7300-353C	222mm	146mm	75mm
7300-3008	7300-3008C	240mm	160mm	90mm
7300-3019	7300-3019C	240mm	160mm	120mm
7300-378	7300-378C	265mm	185mm	95mm
7300-3028	7300-3028C	300mm	230mm	86mm
7300-3031	7300-3031C	300mm	230mm	111mm
7300-3039	7300-3039C	360mm	200mm	150mm

KEY FEATURES

High quality ABS | Clear lid option | PCB pillars | IP65



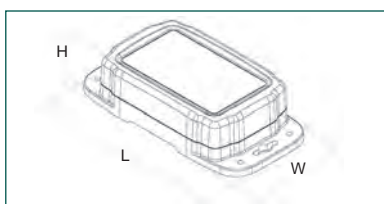
71 series flanged IP66 enclosures

Product overview

Large robust enclosures with IP66 gasket. Designed for outdoor applications in UV stable, polycarbonate UL94-V0.

- Mounting flanges on the base
- Recessed cover
- PCB mounting bosses in the base and cover
- Fitted silicone rubber gasket for dust and moisture resistance
- Black UV stabilised polycarbonate
- Secured from rear face for security/anti-tamper
- 71 series has been designed to meet the requirements of NEMA 4X/IP66 ratings

CHD71



SPECIFICATION

Materials	Polycarbonate UL94-V0
Operating temperature	-40°C to +120°C
Protection class	71 series has been designed to meet the requirements of NEMA 4X/IP66 ratings
Standard colours	Black
Standard unit includes	Base Cover Silicone gasket 4x stainless steel enclosure screws

PART. NO	LENGTH	WIDTH	HEIGHT
CHD7101BK	139.70mm	88.9mm	38.1mm
CHD7102BK	168.40mm	118.9mm	60.2mm

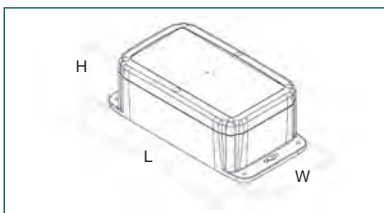
72 series flanged IP66 enclosures

Product overview

Polished finish polycarbonate enclosures, IP66 rated, for outdoor (waterproof) applications.

- Durable, impact-resistant UV stabilised polycarbonate UL94-V0
- Mounting flanges on the base
- Recessed cover
- Solid cover or transparent cover option
- PCB mounting bosses in the base and cover
- Fitted silicone rubber gasket for dust and moisture resistance
- Captive, stainless steel screws thread into brass inserts
- 72 series has been designed to meet the requirements of NEMA 4X/IP66 ratings

CHD720



SPECIFICATION

Materials	Polycarbonate UL94-V0
Operating temperature	- 40°C to +120°C
Protection class	72 series has been designed to meet the requirements of NEMA 4X/IP66 ratings
Standard colours	Light grey - RAL7035
Standard unit includes	Base Cover (inc gasket) Enclosure screws

GREY LID	CLEAR LID	LENGTH	WIDTH	HEIGHT
CHD7201GY	CHD7211GY	193.8mm	117.6mm	78.5mm
CHD7202GY	CHD7212GY	222.3mm	133.4mm	83.8mm

KEY FEATURES

Surface mounting flanges | UL94-V0 | PCB stand offs

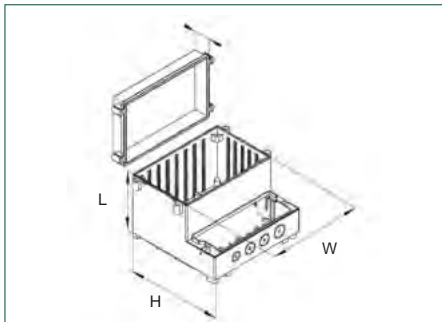


7710 series hinged wall mount enclosures

Product overview

Wall mounted enclosures with a transparent and hinged polycarbonate cover. Designed to house electronic applications.

- Moulded in high quality PC/ABS
- Suitable for high temperatures
- Protects controls and components indoors or outdoors
- Two detachable hinges for quick access
- Fastening pillars and guide grooves for vertical and horizontal PCB mounting
- Hinges can be left or right mounted
- DIN Rail mountable
- EPDM gasket for IP65 seal pre-inserted
- 7710 series has been designed to meet the requirements of IP65



SPECIFICATION	
Materials	Box: ABS UL94-HB Lid: polycarbonate UL94-V0
Operating temperature	-40°C to +120°C
Ingress protection class	7710 series has been designed to meet the requirements of IP65
Standard colours	Light grey, similar to RAL 7038, transparent lid
Standard unit includes	Box, lid, hinges, catch, fixing screws and neoprene gasket

PART NO.	LENGTH	WIDTH	HEIGHT
CHD771001	93mm	166mm	161mm
CHD771002	121mm	166mm	161mm
CHD771003	104.5mm	213mm	185mm
CHD771004	132.5mm	256mm	217mm
CHD771005	158mm	296mm	281mm

ACCESSORIES

Wall mounting kit



PART NO.	DESCRIPTION
CHD7700MK	Mounting Brackets

KEY FEATURES

Internal Din Rail mounting positions | Padlock feature | IP65



268
HANDHELD CASES

292
UNIVERSAL
ENCLOSURES

318
HEAVY DUTY
AND ELECTRICAL
ENCLOSURES

342
DESKTOP AND
INSTRUMENT
CASES

348
DEVELOPMENT
BOARD
ENCLOSURES

367
ROOM SENSOR
ENCLOSURES

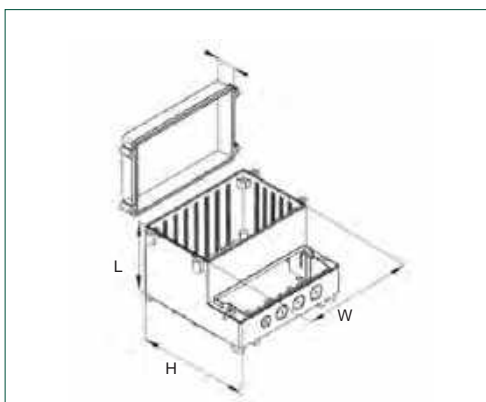
370
CUSTOM SIZED
ENCLOSURES

7740 series screw fastening wall mount enclosures

Product overview

Wall mounted enclosures with two compartments, equipped with covers. Designed to house electronic applications.

- Moulded in high quality ABS
- Suitable for high temperatures
- Protects controls and components indoors or outdoors
- Fastening pillars and guide grooves for Vertical and horizontal PCB mounting
- DIN Rail mountable
- EPDM gasket for IP65 seal pre-installed
- 7740 series has been designed to meet the requirements of IP65



SPECIFICATION

Materials	Lid and base ABS, UL94-HB
Operating temperature	-40°C to +80°C
Protection class	7740 series has been designed to meet the requirements of IP65
Standard colours	Light grey, similar to RAL 7035
Standard unit includes	Box, lid, fixing screws and neoprene gasket

PART NO.	LENGTH	WIDTH	HEIGHT
CHD774001	93mm	166mm	161mm
CHD774002	121mm	166mm	161mm
CHD774003	104.5mm	213mm	185mm
CHD774004	132.5mm	256mm	217mm
CHD774005	158mm	296mm	281mm

ACCESSORIES

Wall mounting kit



PART NO.	DESCRIPTION
CHD7700MK	Mounting brackets

KEY FEATURES

EPDM gasket | five sizes | DIN Rail mountable

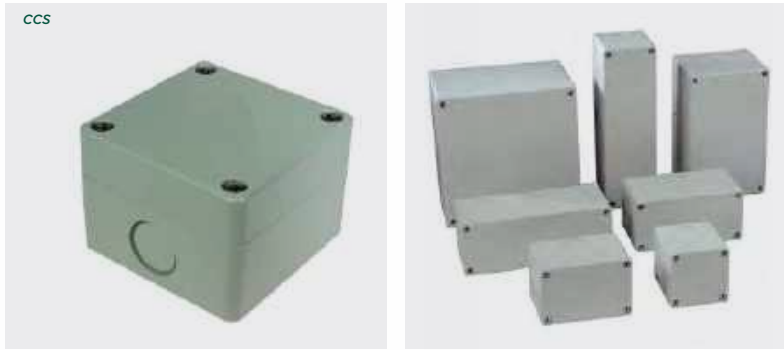


268
HANDHELD CASES

Electrical enclosures

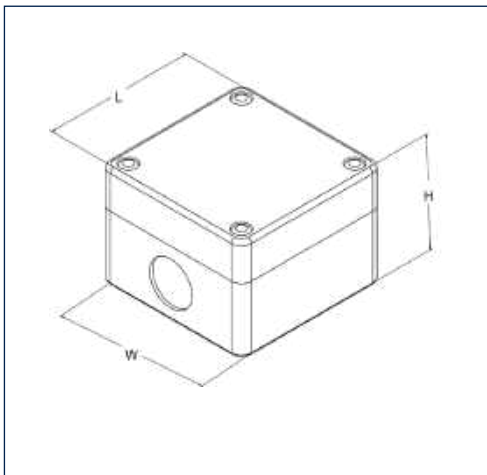
Product overview

- IP65 ABS enclosures suitable for control switches and equipment
- Grey lid
- Yellow lid available to order
- Standard box holes moulded for 22mm diameter control switches
- 21 mm diameter (PG13.5) knockouts moulded in enclosure
- Pre assembled control station and control switching available to order
- Larger sizes to order
- This series has been designed to meet the requirements of IP65



SPECIFICATION

Material	ABS		
Protection class	This series has been designed to meet the requirements of IP65		
Rated temperature	Operating	-25°C to +70°	
	Storage	-40° to +80°	
Standard colours	Box and lid	Grey RAL 7035	
Special to order	Lid	Yellow RAL 1103	



PART NO.	LID COLOUR	LENGTH	WIDTH	HEIGHT
CCS00GY00	Grey	70mm	70mm	51mm
CCS03GY00	Grey	70mm	70mm	74mm
CCS05GY00	Grey	105mm	70mm	51mm
CCS06GY00	Grey	105mm	70mm	74mm
CCS07GY00	Grey	140mm	70mm	51mm
CCS08GY00	Grey	140mm	70mm	74mm
CCS09GY00	Grey	185mm	70mm	51mm
CCS10GY00	Grey	185mm	70mm	74mm

KEY FEATURES

IP65 ABS | Metric knockouts | Larger sizes to order

292
UNIVERSAL
ENCLOSURES318
HEAVY DUTY
AND ELECTRICAL
ENCLOSURES342
DESKTOP AND
INSTRUMENT
CASES348
DEVELOPMENT
BOARD
ENCLOSURES367
ROOM SENSOR
ENCLOSURES370
CUSTOM SIZED
ENCLOSURES

PLASTIC ENCLOSURES



Electrical control switch enclosures

Product overview

- IP65 ABS enclosures suitable for control switches and equipment
- Grey and yellow lid colour options
- Standard box holes moulded for 22mm diameter control switches
- 21mm diameter (PG13.5) knockouts moulded into the enclosure
- Pre assembled control station and control switching available to order
- Larger sizes to order
- This series has been designed to meet the requirements of IP65



SPECIFICATION		
Material	ABS	
Protection class	2910 series has been designed to meet the requirements of IP65	
Rated temperature	Operating	-25°C to +70°C
	Storage	-40°C to +80°C
Standard colours	Box and lid	Grey RAL 7035
	Lid	Yellow RAL 1103

Single button



PART NO.	LID COLOUR	LENGTH	WIDTH	HEIGHT
CCS00GY01	Grey	70mm	70mm	51mm
CCS00YW01	Yellow	70mm	70mm	51mm
CCS03GY01	Grey	70mm	70mm	74mm
CCS03YW01	Yellow	70mm	70mm	74mm

Two button



PART NO.	LID COLOUR	LENGTH	WIDTH	HEIGHT
CCS05GY02	Grey	105mm	70mm	51mm
CCS06GY02	Grey	105mm	70mm	74mm

Three button



PART NO.	LID COLOUR	LENGTH	WIDTH	HEIGHT
CCS07GY03	Grey	140mm	70mm	51mm
CCS08GY03	Grey	140mm	70mm	74mm

Four button



PART NO.	LID COLOUR	LENGTH	WIDTH	HEIGHT
CCS09GY04	Grey	185mm	70mm	51mm
CCS10GY04	Grey	185mm	70mm	74mm

Five and six button



PART NO.	BUTTONS	LID COLOUR	LENGTH	WIDTH	HEIGHT
CCS11GY05	5	Grey	225mm	70mm	74mm
CCS11GY06	6	Grey	225mm	70mm	74mm

ACCESSORIES

Mounting plates



PART NO.	DESCRIPTION
CCSP01	1
CCSP02	2
CCSP03	3
CCSP04	4
CCSP05	5

For 6 button use 2x CCSP03

KEY FEATURES

IP65 ABS | Colour options | Larger sizes to order



ASSOCIATED PRODUCTS

- IP65 illuminated pushbuttons page 187
- 22mm diameter control switches pages 188-190
- 22mm piezo switches pages 204-207

268
HANDHELD CASES

292
UNIVERSAL
ENCLOSURES

318
HEAVY DUTY
AND ELECTRICAL
ENCLOSURES

342
DESKTOP AND
INSTRUMENT
CASES

348
DEVELOPMENT
BOARD
ENCLOSURES

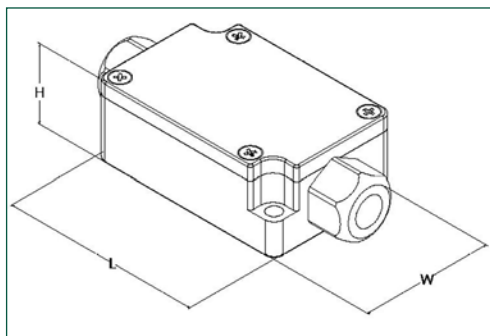
367
ROOM SENSOR
ENCLOSURES

370
CUSTOM SIZED
ENCLOSURES

89 series terminal block junction box

Product overview

- Integrated junction box consisting of cable glands and one terminal block
- IP65 rated
- Available in 3, 4 and 6 poles
- Supplied with 2pcs each of Ø5 and Ø7.4 rubber cable bushes
- Available in light grey or black
- Suitable for industrial applications, power cable joints wiring for motors or sensors
- 89 series has been designed to meet the requirements of IP65



SPECIFICATION

Rated voltage	250V
Rated current	15A
Applicable wire	1.25mm ²
Standard tightening torque	0.5N
Operating temperature	-20°C to +75°C
Material:	
Cover, base and cable cap	PBT (UL94-V0)
Rubber bush	EPDM
Gasket	Polyurethane
Conductive plate	Brass
Terminal screw	Steel M3
Cover screw	Stainless steel M3
Protection class	89 series has been designed to meet the requirements of IP65

BLACK	GREY	LENGTH	WIDTH	HEIGHT	DESCRIPTION
CJB893PBK	CJB893PLG	33mm	65mm	24mm	3 pole
CJB894PBK	CJB894PLG	40mm	60mm	24mm	4 pole
CJB896PBK	CJB896PLG	50mm	70mm	24mm	6 pole

KEY FEATURES

Integrated terminal block | Suitable for industrial applications



PLASTIC ENCLOSURES

338

+44 (0)1638 716101 | sales@camdenboss.com | www.camdenboss.com

We operate a constant improvement policy, our products are subject to change without notice.

Vers 1

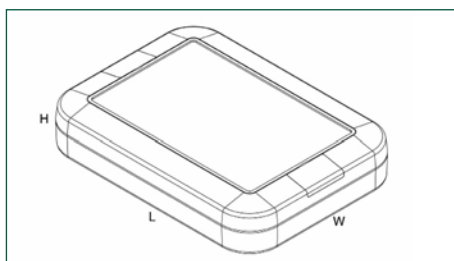


91 series IP67 low profile cases

Product overview

Beautifully designed low profile IP67 waterproof enclosures, ideal for tracking/monitoring in harsh environment

- IP67 rated, perfect for outdoor application
- White enclosures made from ASA UL94-HB plastic for high ultraviolet resistance
- Dark grey enclosures made from ABS UL94-V0 plastic for high flammability rating
- Wall mount holes behind hinged caps for superior aesthetic finish
- Mounting kit accessory for easy mounting to poles, pillars, posts and lamp posts
- 91 series has been designed to meet the requirements of IP67



SPECIFICATION	
Material:	Dark grey White grey
	Base and lid ABS UL94-V0 Base and lid ASA UL94-HB
Operating temperature	ABS, -10°C to +50°C ASA, -30°C to +60°C
Standard colours	Dark grey or white grey
Standard unit includes	Lid and base, gasket and fixing screws
Protection class	91 series has been designed to meet the requirements of IP67

DARK GREY	WHITE GREY	LENGTH	WIDTH	HEIGHT
CHD91E7DG	CHD91E7WG	65mm	52mm	18mm
CHD91E8DG	CHD91E8WG	65mm	52mm	27mm
CHD91E1DG	CHD91E11WG	75mm	75mm	22mm
CHD91E12DG	CHD91E12WG	75mm	75mm	35mm
CHD91E9DG	CHD91E9WG	80mm	60mm	20mm
CHD91E10DG	CHD91E10WG	80mm	60mm	30mm
CHD91E13DG	CHD91E13WG	100mm	75mm	22mm
CHD91E14DG	CHD91E14WG	100mm	75mm	35mm
CHD91E3DG	CHD91E3WG	100mm	100mm	25mm
CHD91E4DG	CHD91E4WG	100mm	100mm	40mm
CHD91E1DG	CHD91E1WG	130mm	90mm	25mm
CHD91E2DG	CHD91E2WG	130mm	90mm	40mm
CHD91E5DG	CHD91E5WG	150mm	110mm	27mm
CHD91E6DG	CHD91E6WG	150mm	110mm	40mm
CHD91E16DG	CHD91E16WG	175mm	130mm	45mm
CHD91E15DG	CHD91E15WG	175mm	135mm	30mm

KEY FEATURES

IP67 rated | Pole mounting kit accessory | Wall mount holes



268
HANDHELD CASES

292
UNIVERSAL
ENCLOSURES

318
HEAVY DUTY
AND ELECTRICAL
ENCLOSURES

342
DESKTOP AND
INSTRUMENT
CASES

348
DEVELOPMENT
BOARD
ENCLOSURES

367
ROOM SENSOR
ENCLOSURES

370
CUSTOM SIZED
ENCLOSURES

ACCESSORIES

Rubber feet



PART NO.	LENGTH	WIDTH	HEIGHT
CHD91FEET	10mm	10mm	7.5mm

Pole mount kit



PART NO.	LENGTH	WIDTH	HEIGHT	DESCRIPTION
CHD91PLDG	18mm	14mm	9.5mm	Pole mount kit, dark grey
CHD91PLWG	18mm	14mm	9.5mm	Pole mount kit, white grey
CHD91PMDG	28mm	18mm	12mm	Pole mount kit, dark grey
CHD91PMWG	28mm	18mm	12mm	Pole mount kit, white grey

DARK GREY	WHITE GREY	CHD91PLDG	CHD91PLWG	CHD91PMDG	CHD91PMWG
CHD91E7DG	CHD91E7WG	•	•		
CHD91E8DG	CHD91E8WG	•	•		
CHD91E11DG	CHD91E11WG	•	•		
CHD91E12DG	CHD91E12WG	•	•		
CHD91E9DG	CHD91E9WG	•	•		
CHD91E10DG	CHD91E10WG	•	•		
CHD91E13DG	CHD91E13WG	•	•		
CHD91E14DG	CHD91E14WG	•	•		
CHD91E3DG	CHD91E3WG			•	•
CHD91E4DG	CHD91E4WG			•	•
CHD91E1DG	CHD91E1WG			•	•
CHD91E2DG	CHD91E2WG			•	•
CHD91E5DG	CHD91E5WG			•	•
CHD91E6DG	CHD91E6WG			•	•
CHD91E16DG	CHD91E16WG			•	•
CHD91E15DG	CHD91E15WG			•	•

PLASTIC ENCLOSURES

340

+44 (0)1638 716101 | sales@camdenboss.com | www.camdenboss.com

We operate a constant improvement policy, our products are subject to change without notice.

Vers 1



Enclosure accessories - cable glands



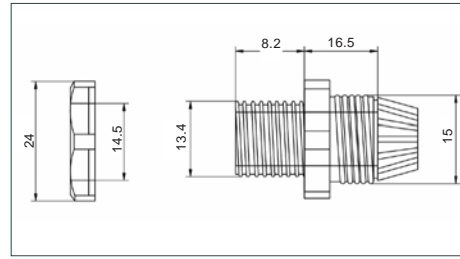
Product overview

- High quality IP66 rated glands
- UL94-V0 rates
- PA-66 nylon
- Includes O-ring
- M16 and M20 sizes

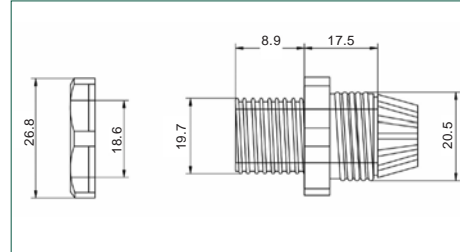
PART NO.	THREAD DIAMETER	INSTALLATION HOLE SIZE	CABLE SIZE
CGLBM16	16mm	16.5mm	5-8mm
CGLBM20	20mm	20.5mm	6-12mm

SPECIFICATION	
Color	Black
Ingress Protection	IP67
Material	PA66
Operating temperature	-40°C to +100°C

CGLBM16



CGLBM20



Enclosure accessories - waterproof data connectors



Product overview

A range of data connectors with sealing caps

- USB 2.0 and 3.0 available
- RJ45 Cat 6 type

PART NO	DESCRIPTION
CACCSUSB2	USB 2.0 connector - black - plastic casing - IP65
CACCSUSB3	USB 3.0 connector - black - plastic casing - IP65
CACCRJ45	RJ45 connector CAT 6 - black - plastic casing - IP65

SPECIFICATION	
Operating temperature	-25°C to +70°C
Storage temperature	-30°C to +80°C
Material	Thermo Plastic
Ingress protection	IP65
Standards	IEC 60947-5-1 an EN 60947-5-1
Certification/approval	EAC

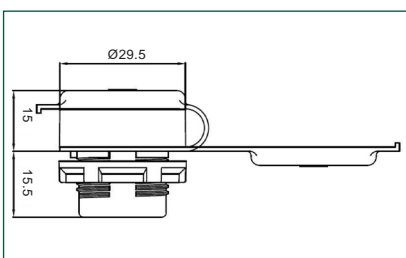
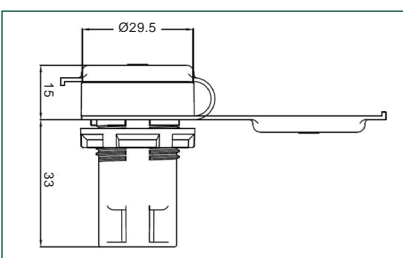
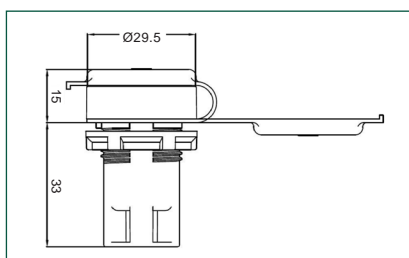
CACCSUSB2



CACCSUSB3



CACCRJ45





268
HANDHELD CASES

292
UNIVERSAL
ENCLOSURES

318
HEAVY DUTY
AND ELECTRICAL
ENCLOSURES

342
DESKTOP AND
INSTRUMENT
CASES

348
DEVELOPMENT
BOARD
ENCLOSURES

367
ROOM SENSOR
ENCLOSURES

370
CUSTOM SIZED
ENCLOSURES

DESKTOP AND INSTRUMENT CASES

A variety of plastic and aluminium cases for test, measurement, display, and control applications.



Desktop instrument cases **343**



1000 series vario cases **344**



8000 series euro desk cases **345**



6000 series venti cases **346**



2600/2700 series terminal cases **347**

PLASTIC ENCLOSURES

342

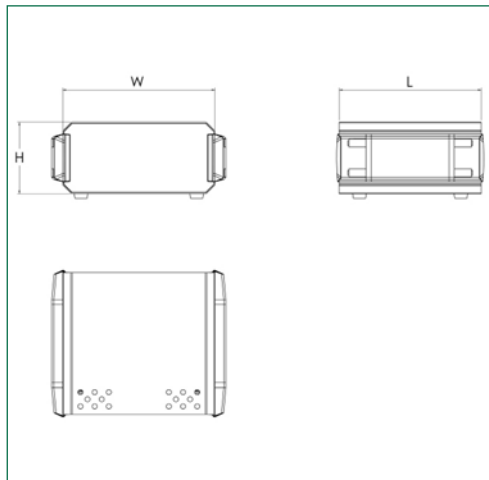
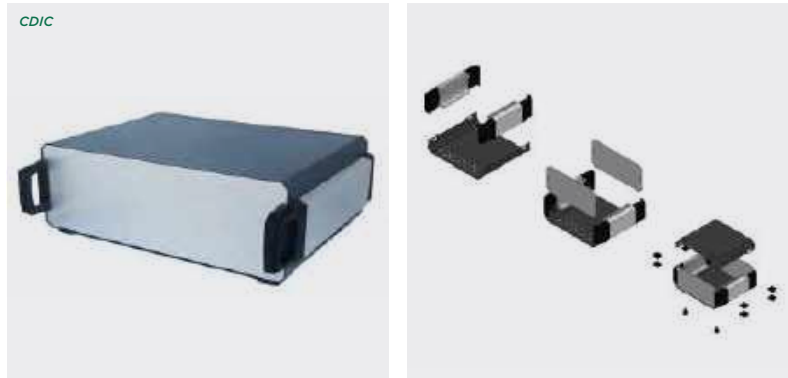


Desktop instrument cases

Product overview

Extensive range of high quality instrument cases for test, measurement, display and control applications. Functional push-fit construction designed for quick and easy assembly.

- Screwless push-fit assembly via 8x lock pins
- Horizontal PCB guides in side profiles
- Ventilation slots in lid and base
- Lid and base can be dismantled independently from each other
- 4x non-slip feet as standard (CDIC00001-4)
- 2x non-slip feet, 2x tilting feet and front handles as standard (CDIC00005-7)



SPECIFICATION		
Material	High impact ABS Lid and base 1mm thick steel, epoxy coated, textured Side profiles extruded 6063 aluminium, matt silver anodised Brackets and tilting feet	
Material sizes 1-4	CDIC00001-4	Front/rear panels 1mm thick 5050 aluminium, silver anodised
Material sizes 5-7	CDIC00005-7	Front/rear panels 2mm thick 5050 aluminium, silver anodised
Standard unit sizes 1-4	CDIC00001-4	Lid and base 2x front/rear panels 2x aluminium side profiles 4x brackets 8x lock pins 4x non-slip feet
Standard unit sizes 5-7	CDIC00005-7	Lid and base 2x front/rear panels 2x aluminium side profiles 2x rear brackets 2x front brackets with handle 2x non-slip feet 2x non-slip tilting feet 8 x locking pins

DARK GREY	SIZE	LENGTH	WIDTH	HEIGHT
CDIC00001	1	145mm	171.6mm	70.4mm
CDIC00002	2	205mm	221.6mm	70.4mm
CDIC00003	3	175mm	246.6mm	80.4mm
CDIC00004	4	205mm	271.6mm	90.4mm
CDIC00005	5	271mm	327.5mm	100mm
CDIC00006	6	311mm	377.5mm	120mm
CDIC00007	7	351mm	427.5mm	130mm

KEY FEATURES

Push-fit assembly | High-impact ABS | Extruded side profiles



ACCESSORIES

Assembly plate

- The assembly plate is easily fixed to the enclosure using M3 screws and nuts
- 1 mm thick steel, zinc coated
- Assembly plate for mounting components



DARK GREY	SIZE	LENGTH	WIDTH
-	1	-	-
CDICMP002	2	143mm	192mm
CDICMP003	3	113mm	217mm
CDICMP004	4	143mm	242mm
CDICMP005	5	170mm	286.5mm
CDICMP006	6	210mm	336.5mm
CDICMP007	7	250mm	386.5mm



268
HANDHELD CASES

292
UNIVERSAL
ENCLOSURES

318
HEAVY DUTY
AND ELECTRICAL
ENCLOSURES

342
DESKTOP AND
INSTRUMENT
CASES

348
DEVELOPMENT
BOARD
ENCLOSURES

367
ROOM SENSOR
ENCLOSURES

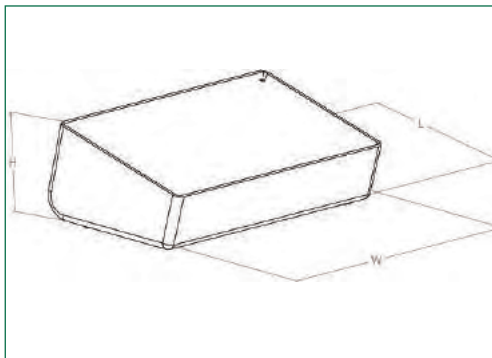
370
CUSTOM SIZED
ENCLOSURES

1000 series vario cases

Product overview

ABS desk cases with inclined aluminium panel, recessed to accept membranes and overlays.

- Base moulded in high impact ABS
- Aluminium lid mounted by 4x M3 screws
- Recessed front panel to accept keypad membranes and overlays
- Polished finish
- Vertical PCB guides in base
- PCB pillars in base
- ABS UL94-V0 material optional
- 1000 series has been designed to meet the requirements of IP54



SPECIFICATION	
Protection class	1000 series has been designed to meet the requirements of IP54
Standard colours	Front panel grey Base grey as standard, white to order
Standard unit includes	Lid and base 4x M3 machine screws 4x rubber feet

BLACK	LIGHT GREY	LENGTH	WIDTH	HEIGHT
BIM1005-BLK/PG	BIM1005-GY/PG	97mm	162mm	57mm
BIM1006-BLK/PG	BIM1006-GY/PG	130mm	215mm	72mm

KEY FEATURES

Aluminium lid | High-impact ABS | PCB mounting



PLASTIC ENCLOSURES



268
HANDHELD CASES292
UNIVERSAL
ENCLOSURES318
HEAVY DUTY
AND ELECTRICAL
ENCLOSURES342
DESKTOP AND
INSTRUMENT
CASES348
DEVELOPMENT
BOARD
ENCLOSURES367
ROOM SENSOR
ENCLOSURES370
CUSTOM SIZED
ENCLOSURES

PLASTIC ENCLOSURES

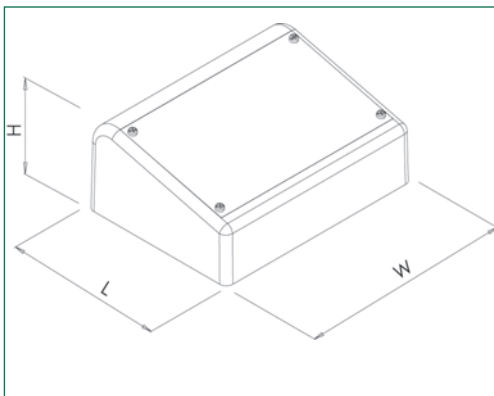
345

8000 series euro desk cases

Product overview

ABS desktop cases with removable base plates for ease of access and flush fitting aluminium front panels.

- Moulded in high impact ABS
- Aluminium lid mounted by 4x M3 screws
- Removable base plate for ease of access and fast assembly
- Gloss finish
- Integral side PCB slots in enclosure body
- PCB pillars in base
- 8000 series has been designed to meet the requirements of IP40



SPECIFICATION

Materials	Body and base plate high impact ABS as standard UL94-V0 ABS to order Panel 1mm thick aluminium
Operating temperature	Resistant to temperatures between -5°C to 80°C
Protection class	8000 series has been designed to meet the requirements of IP40
Standard colours	Body and base plate: grey and black as standard, white to order, aluminium panel grey
Standard unit includes	Body and base plate Aluminium panel 8/10x M3 fixing screws 4x rubber feet

BLACK	LIGHT GREY	LENGTH	WIDTH	HEIGHT
BIM8005-BLK/PG	BIM8005-GY/PG	127mm	170mm	70mm
BIM8007-BLK/PG	BIM8007-GY/PG	187mm	243mm	103mm

KEY FEATURES

High-impact ABS | PCB mounting | Gloss finish





268
HANDHELD CASES

292
UNIVERSAL
ENCLOSURES

318
HEAVY DUTY
AND ELECTRICAL
ENCLOSURES

342
DESKTOP AND
INSTRUMENT
CASES

348
DEVELOPMENT
BOARD
ENCLOSURES

367
ROOM SENSOR
ENCLOSURES

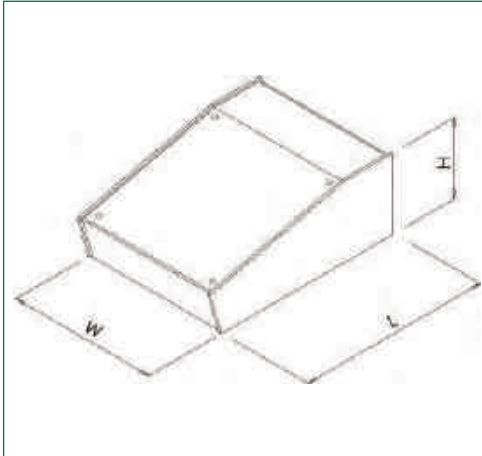
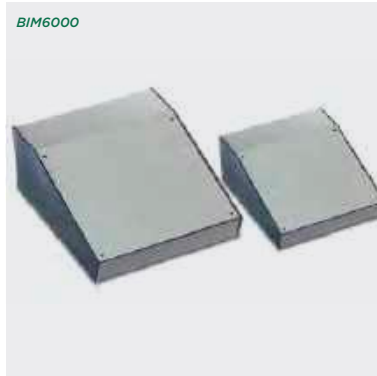
370
CUSTOM SIZED
ENCLOSURES

6000 series venti cases

Product overview

ABS desk cases available with inclined recessed aluminium front panels.

- Moulded in high impact ABS
- Aluminium lid mounted by 4x M3 screws
- Polished finish
- PCB pillars in base
- Integral PCB slots in front and rear walls
- Ventilation slots in base



SPECIFICATION

Materials	Base high impact ABS as standard, UL94-V0 ABS to order Panels 1mm thick aluminium
Operating temperature	Resistant to temperatures between -5°C to 80°C
Standard colours	Base grey and black as standard, white to order Aluminium panel grey
Standard unit includes	Base and aluminium panel 4x M3 machine screws 4x rubber feet

BLACK	GREY	LENGTH	WIDTH	HEIGHT
BIM6005-BLK/PG	BIM6005-GY/PG	143mm	105mm	55mm
BIM6006-BLK/PG	BIM6006-GY/PG	143mm	170mm	55mm
BIM6007-BLK/PG	BIM6007-GY/PG	214mm	170mm	82mm

KEY FEATURES

High impact ABS | Aluminium front panels | PCB pillars



PLASTIC ENCLOSURES

346

+44 (0)1638 716101 | sales@camdenboss.com | www.camdenboss.com

We operate a constant improvement policy, our products are subject to change without notice.

Vers 1





268

HANDHELD CASES

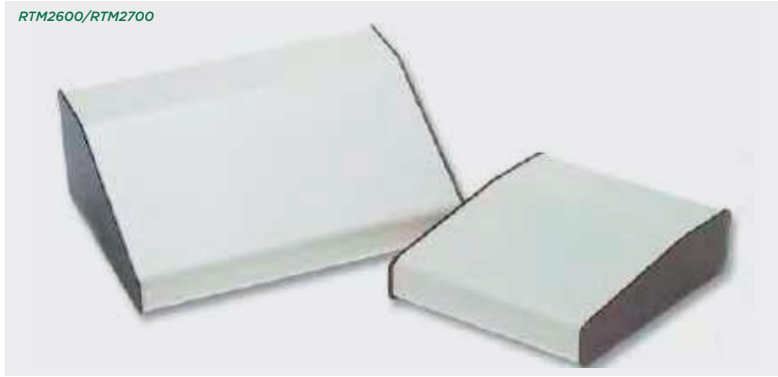
2600/2700 series terminal cases

Product overview

Ideal enclosures for laboratory equipment, keyboards, access and security applications.

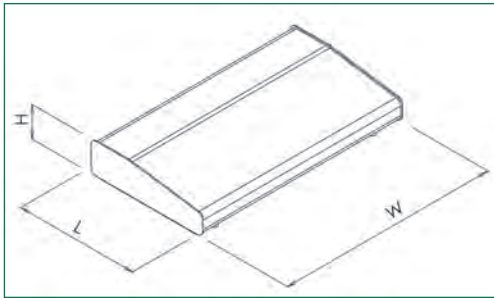
- 2 part aluminium construction
- Easy assembly with 4x M3 screws running through rubber feet into base
- 4x rubber feet supplied as standard
- 2600/2700 series has been designed to meet the requirements of IP40

RTM2600/RTM2700



SPECIFICATION

Material	Base 2mm thick aluminium Lid 1.6mm thick aluminium
Protection class	2600/2700 series has been designed to meet the requirements of IP40
Standard colours	Top beige as standard Base brown as standard Other colours available to order
Standard unit includes	Lid and base 4x M3 machine screws 4x rubber feet



PART NO.	LENGTH	WIDTH	HEIGHT
RTM2601-BR/B	210mm	178mm	55mm
RTM2602-BR/B	210mm	280mm	55mm
RTM2603-BR/B	210mm	381mm	55mm
RTM2604-BR/B	210mm	483mm	55mm
RTM2701-BR/B	210mm	178mm	80mm
RTM2702-BR/B	210mm	280mm	106mm
RTM2703-BR/B	210mm	381mm	106mm
RTM2704-BR/B	210mm	483mm	106mm

KEY FEATURES

IP40 rated | Easy assembly | 2 part aluminium construction



292

UNIVERSAL ENCLOSURES

318

HEAVY DUTY AND ELECTRICAL ENCLOSURES

342

DESKTOP AND INSTRUMENT CASES

348

DEVELOPMENT BOARD ENCLOSURES

367

ROOM SENSOR ENCLOSURES

370

CUSTOM SIZED ENCLOSURES



268
HANDHELD CASES

292
UNIVERSAL
ENCLOSURES

318
HEAVY DUTY
AND ELECTRICAL
ENCLOSURES

342
DESKTOP AND
INSTRUMENT
CASES

348
DEVELOPMENT
BOARD
ENCLOSURES

367
ROOM SENSOR
ENCLOSURES

370
CUSTOM SIZED
ENCLOSURES

PLASTIC ENCLOSURES

348

DEVELOPMENT BOARD ENCLOSURES

Enclosures designed for a variety of development boards, including Raspberry Pi, Banana Pi, Arduino and more.



Raspberry Pi A+ enclosures **350**



Raspberry Pi B+ and Pi 2 and 3 enclosures **351**



Raspberry Pi B+ or Pi 2 flanged enclosures **352**



Pi camera enclosures **353**



Arduino enclosures **354**



BeagleBone blue enclosures **355**



BeagleBone black enclosures **356**



BeagleBone black WIFI enclosures **357**



Banana Pi enclosures **358**



Banana Pi zero enclosures **359**



Android PC enclosures **360**



APC-board 'rock' enclosures **361**



268
HANDHELD CASES

292
UNIVERSAL
ENCLOSURES

318
HEAVY DUTY
AND ELECTRICAL
ENCLOSURES

342
DESKTOP AND
INSTRUMENT
CASES

348
DEVELOPMENT
BOARD
ENCLOSURES

367
ROOM SENSOR
ENCLOSURES

370
CUSTOM SIZED
ENCLOSURES

PLASTIC ENCLOSURES

349



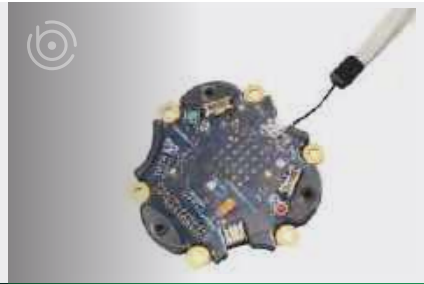
RiOT board enclosures

362



DIN Rail Pi B+ P2 P3 enclosures

363



Calliope mini board enclosures

364



Latte panda board cases

365



Latte panda screen kit black - screen, stand and case

366

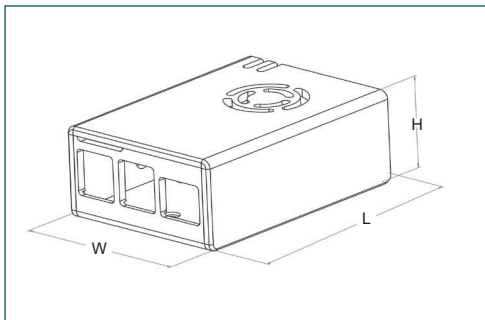
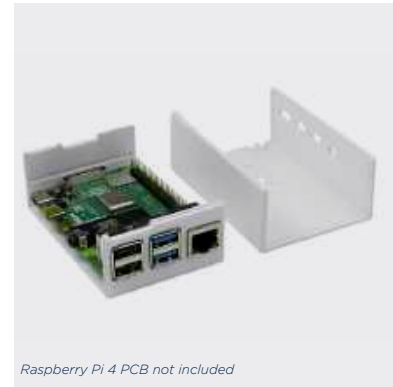
2U Raspberry Pi 4B enclosure with fan vent

Product overview

Clip together 2-U-Shell enclosure for the Raspberry Pi 4B. Manufactured using robust 3mm textured UL94-HB HIPS.

- Pi 4B PCB fits into grooves (no screws)
- Venting on top of case
- GPIO ribbon cable slot on the underside
- CSI slot for camera cable
- Rear slots for SD card and LEDs
- Supplied with push fit rubber feet
- Fan fixing holes can be easily knocked out using screws
- Recommended for use with a 30mm fan
- In house testing of the PCU to operating temperature of 44°C, when used in conjunction with a fan
- Compatible with Pi HAT POE
- Also available in high temperature ABS (subject to MOQ)
- Transform your Raspberry Pi enclosure into a DIN Rail mountable solution by ordering the mount bracket kit option

CBRPI4B-2U



PART NO.	COLOUR	MATERIAL TYPE	MATERIAL TEMPERATURE	UL RATING	MATERIAL THICKNESS	TYPE	DIMENSIONS
CBRPI4B-2U-BK	Black	High impact polystyrene	Rated for use up to 70°C	HB	3mm	Enclosure only	L 89.3mm x W 62.4mm x H 34mm
CBRPI4B-2U-DG	Dark Grey	High impact polystyrene	Rated for use up to 70°C	HB	3mm	Enclosure only	L 89.3mm x W 62.4mm x H 34mm
CBRPI4B-2U-LG	Light Grey	High impact polystyrene	Rated for use up to 85°C	HB	3mm	Enclosure only	L 89.3mm x W 62.4mm x H 34mm
CBRPI4B-2U-GW	Gloss White	Acrylic capped ABS	Rated for use up to 70°C	HB	3mm	Enclosure only	L 89.3mm x W 62.4mm x H 34mm
CBRPI4B-2U-BK+MB	Black	High impact polystyrene	Rated for use up to 70°C	HB	3mm	DIN mount bracket kit	L 89.3mm x W 62.4mm x H 34mm
CBRPI4B-2U-DG+MB	Dark Grey	High impact polystyrene	Rated for use up to 70°C	HB	3mm	DIN mount bracket kit	L 89.3mm x W 62.4mm x H 34mm
CBRPI4B-2U-LG+MB	Light Grey	High impact polystyrene	Rated for use up to 85°C	HB	3mm	DIN mount bracket kit	L 89.3mm x W 62.4mm x H 34mm
CBRPI4B-2U-GW+MB	Gloss White	Acrylic capped ABS	Rated for use up to 70°C	HB	3mm	DIN mount bracket kit	L 89.3mm x W 62.4mm x H 34mm

KEY FEATURES

Clip-together design | Raspberry Pi 4B clips in without screws
 Vents in the top for heat dissipation



292
UNIVERSAL ENCLOSURES

318
HEAVY DUTY AND ELECTRICAL ENCLOSURES

342
DESKTOP AND INSTRUMENT CASES

348
DEVELOPMENT BOARD ENCLOSURES

367
VERSATILE IOT AND SENSOR ENCLOSURES

370
CUSTOM SIZED ENCLOSURES

PLASTIC ENCLOSURES



268
HANDHELD CASES

292
UNIVERSAL
ENCLOSURES

318
HEAVY DUTY
AND ELECTRICAL
ENCLOSURES

342
DESKTOP AND
INSTRUMENT
CASES

348
DEVELOPMENT
BOARD
ENCLOSURES

367
VERSATILE IOT
AND SENSOR
ENCLOSURES

370
CUSTOM SIZED
ENCLOSURES

2U Raspberry Pi 4B enclosure

Product overview

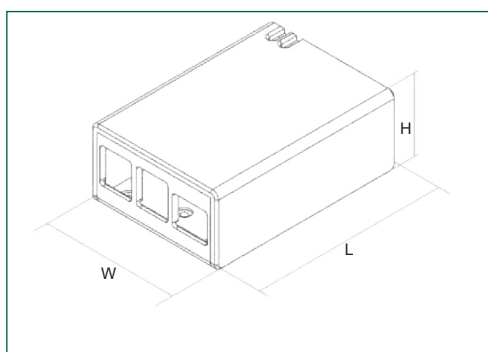
Clip together 2-U-Shell enclosure for the Raspberry Pi 4B. Manufactured using robust 3mm textured UL94-HB HIPS.

- Pi 4B PCB fits into grooves (no screws)
- GPIO ribbon cable slot on the underside
- CSI slot for camera cable
- Rear slots for SD card and LEDs
- Supplied with push fit rubber feet
- Also available in high temperature ABS (subject to MOQ)
- Transform your Raspberry Pi enclosure into a DIN Rail mountable solution with our CDR-Bracket (not included).

CBRPI4B-2U-NFV



Raspberry Pi 4 PCB not included



PART NO.	COLOUR	MATERIAL TYPE	MATERIAL TEMPERATURE	UL RATING	MATERIAL THICKNESS	DIMENSIONS
CBRPI4B-2U-NFV-BK	Black	High impact polystyrene	Rated for use up to 70°C	HB	3mm	L 89.3mm x W 62.4mm x H 34mm
CBRPI4B-2U-NFV-WH	White	High impact polystyrene	Rated for use up to 70°C	HB	3mm	L 89.3mm x W 62.4mm x H 34mm
CBRPI4B-2U-NFV-DG	Dark grey	High impact polystyrene	Rated for use up to 70°C	HB	3mm	L 89.3mm x W 62.4mm x H 34mm

KEY FEATURES

Clip-together design | Raspberry Pi 4B clips in without screws



ACCESSORIES

DIN Rail mount bracket

- Screws included

CDR-Bracket



PART NO.	DESCRIPTION
CDR-Bracket	DIN Rail mount bracket

PLASTIC ENCLOSURES



4P Raspberry Pi 4B enclosure - with fan vent

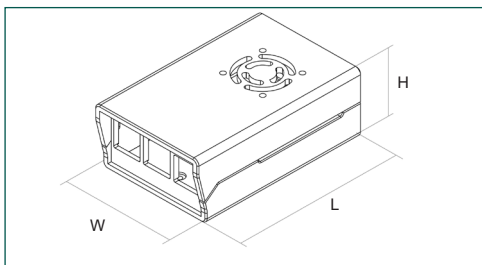
Product overview

4-part clip together enclosure for the Raspberry Pi 4B. Manufactured using robust 3mm textured UL94-HB HIPS.

- Pi 4B PCB fits into grooves (no screws)
- Compatible with Raspberry Pi HAT POE
- Fan venting on top of case (fan not included)
- Fan venting designed for 30mm fan or Pi HAT POE
- GPIO ribbon cable slot on the side
- CSI slot for camera cable
- Rear slots for SD card and LEDs
- Also available in high temperature ABS (subject to MOQ)
- Transform your Raspberry Pi enclosure into a DIN Rail mountable solution with our CDR-Bracket (not included).



Raspberry Pi 4 PCB not included



PART NO.	COLOUR	MATERIAL TYPE	MATERIAL TEMPERATURE	UL RATING	MATERIAL THICKNESS	DIMENSIONS
CBRPI4B-4P-BK	Black with white panels	High impact polystyrene	Rated for use up to 70°C	HB	3mm	L99mm x W 62.4mm x H 36.6mm
CBRPI4B-4P-DG	Grey with white panels	High impact polystyrene	Rated for use up to 70°C	HB	3mm	L99mm x W 62.4mm x H 36.6mm
CBRPI4B-4P-WH	White with grey panels	High impact polystyrene	Rated for use up to 70°C	HB	3mm	L99mm x W 62.4mm x H 36.6mm
CBRPI4B-4P-GW	Grey with white panels	Acrylic capped ABS	Rated for use up to 85°C	HB	3mm	L99mm x W 62.4mm x H 36.6mm

KEY FEATURES

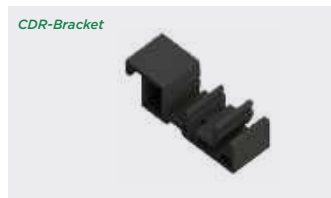
Clip-together design | Raspberry Pi 4B clips in without screws | Venting slots for 30mm fan or Pi HAT POE



ACCESSORIES

DIN Rail mount bracket

- Screws included



PART NO.	DESCRIPTION
CDR-Bracket	DIN Rail mount bracket



268
HANDHELD CASES

292
UNIVERSAL
ENCLOSURES

318
HEAVY DUTY
AND ELECTRICAL
ENCLOSURES

342
DESKTOP AND
INSTRUMENT
CASES

348
DEVELOPMENT
BOARD
ENCLOSURES

367
VERSATILE IOT
AND SENSOR
ENCLOSURES

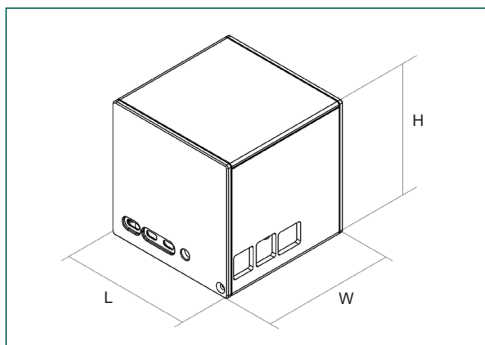
370
CUSTOM SIZED
ENCLOSURES

Cube Raspberry Pi 4B enclosure (Pi4Cube)

Product overview

Secure slide together construction, with 2x S/S T10 torx-pin retaining M3 screws and M2 threaded PCB pillars and screws (screws supplied)

- Space inside enclosure for fitting HATS and multiple other components
- Can be orientated in multiple ways, with feet fitted accordingly
- Supplied with screws for PCB and enclosure, strip of 4 stick on feet (not fitted)
- Can be easily customised with digital printing, cut-outs and more



SPECIFICATION	
Material	Black, white, dark grey: High Impact polystyrene rated for 5°C - 70°C Gloss white: Acrylic capped ABS rated for 5°C - 85°C
UL rating	UL94-HB
Material thickness	3mm

PART NO.	COLOUR	LENGTH	WIDTH	HEIGHT
CBRPI4B-CB-BK	Black	92.5 mm	92.5 mm	92.5 mm
CBRPI4B-CB-WH	White	92.5 mm	92.5 mm	92.5 mm
CBRPI4B-CB-GW	Gloss white	92.5 mm	92.5 mm	92.5 mm
CBRPI4B-CB-DG	Dark grey	92.5 mm	92.5 mm	92.5 mm

KEY FEATURES

Slide together construction | Unique cube shape | Large internal volume



PLASTIC ENCLOSURES

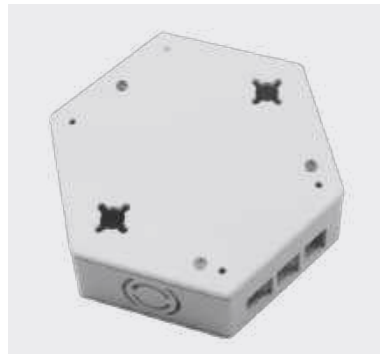
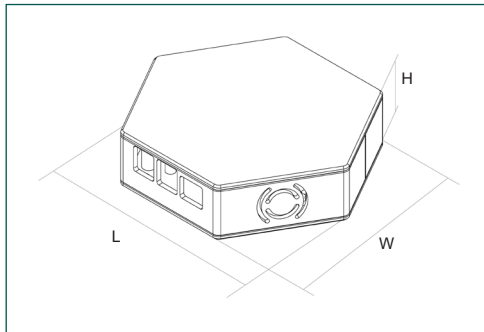


HEX Raspberry Pi 4B enclosure (Pi4Hex)

Product overview

Hexagon shaped enclosure for the Raspberry Pi 4B. Ideal for smart home IoT devices.

- Pi 4B PCB screws into x4 pillars (screws supplied)
- Fan venting on side of case (fan not included)
- Fan venting designed for 30mm fan
- Cut-outs for ethernet and USB ports only
- Rear cable exit for all other connections
- Rear ventilation
- Keyhole mounting slots on the underside
- Removable cover retained by screws (supplied)
- Supplied with push fit rubber feet



SPECIFICATION	
Material	Black and white: High Impact polystyrene rated for +5°C to +70°C Gloss white: Acrylic capped ABS rated for +5°C to +85°C
UL rating	UL94-HB
Material thickness	3mm

PART NO.	COLOUR	LENGTH	WIDTH	HEIGHT
CBRPI4B-HX-BK	Black	148.61mm	129.9mm	36.5mm
CBRPI4B-HX-WH	White	148.61mm	129.9mm	36.5mm

KEY FEATURES

Unique hexagon shape design | Keyhole surface mounting | Venting slots for 30mm fan





268
HANDHELD CASES

292
UNIVERSAL
ENCLOSURES

318
HEAVY DUTY
AND ELECTRICAL
ENCLOSURES

342
DESKTOP AND
INSTRUMENT
CASES

348
DEVELOPMENT
BOARD
ENCLOSURES

367
ROOM SENSOR
ENCLOSURES

370
CUSTOM SIZED
ENCLOSURES

Raspberry Pi A+ enclosures

Product overview

No screws, no glue – just add your Raspberry Pi filling!

- Designed to house the Raspberry Pi A+ via clip-in grooves - **NO SCREWS REQUIRED!**
- All cut-outs are pre-cut into the case - **NO MODS REQUIRED!**
- I/O Connector can be accessed through a slot in the base of the enclosure
- Supplied with rubber feet



PART NO.	MATERIALS	DIMENSIONS
CBRPAP	Thickness 3mm	L 69.6mm x W 62.4mm x H 31.9mm

Available in a range of colours, textures and finishes

Stock colours

Textured

White

Light grey

Mid grey

Dark grey

Grey white

Black

High gloss

White

Other available colours

Gloss

White

Red

Green

Yellow

Orange

Transparent

Lilac

Purple

Black

Blue

High gloss

Carbon fibre

Metallic silver

Black

Additionally we can match your requested, non-standard colours - contact us for availability

KEY FEATURES

No screws | No glue | Interchangeable tops and bases



Raspberry Pi B+ and Pi 2 and 3 enclosures

Product overview

No screws, no glue – just add your Raspberry Pi filling!

- Designed to house the Raspberry Pi B+ or Pi 2 and Pi 3 via clip-in grooves - **NO SCREWS REQUIRED!**
- All cut-outs are pre-cut into the case - **NO MODS REQUIRED!**
- I/O Connector can be accessed through a slot in the base of the enclosure
- Supplied with rubber feet



PART NO.	MATERIALS	DIMENSIONS
CBRPP	Thickness 3mm	L89.4mm x W 62.4mm x H 32mm

Available in a range of colours, textures and finishes

Stock colours

Textured

White

Dark grey

Light grey

Grey white

Mid grey

Black

High gloss

White

Other available colours

Gloss

White

Transparent

Red

Lilac

Green

Purple

Yellow

Black

Orange

Blue

High gloss

Carbon fibre

Black

Metallic silver

Additionally we can match your requested, non-standard colours - contact us for availability

KEY FEATURES

No screws | No glue | Interchangeable tops and bases





268
HANDHELD CASES

292
UNIVERSAL
ENCLOSURES

318
HEAVY DUTY
AND ELECTRICAL
ENCLOSURES

342
DESKTOP AND
INSTRUMENT
CASES

348
DEVELOPMENT
BOARD
ENCLOSURES

367
ROOM SENSOR
ENCLOSURES

370
CUSTOM SIZED
ENCLOSURES

PLASTIC ENCLOSURES

352

Raspberry Pi B+ or Pi 2 flanged enclosures

Product overview

No screws, no glue – just add your Raspberry Pi filling!

- Designed to house the Raspberry Pi B+ or Pi 2 via clip-in grooves - **NO SCREWS REQUIRED!**
- All cut-outs are pre-cut into the case - **NO MODS REQUIRED!**
- I/O connector can be accessed through a slot in the base of the enclosure
- Wall mountable via keyhole slots in flanges
- Top of the enclosure can be removed whilst the base is still attached to the wall



PART NO.	MATERIALS	DIMENSIONS
CBRPP-F	Thickness 3mm	L 89.4mm x W 80.4mm x H 32mm

Available in a range of colours, textures and finishes

Stock colours

Textured

White

Light grey

Mid grey

Dark grey

Grey white

Black

High gloss

White

Other available colours

Gloss

White

Red

Green

Yellow

Orange

Transparent

Lilac

Purple

Black

Blue

High gloss

Carbon fibre

Metallic silver

Black

Additionally we can match your requested, non-standard colours - contact us for availability

KEY FEATURES

No screws | Gloss finish | Wall mountable



Pi camera enclosures

Product overview

No screws, no glue – just add your Raspberry Pi Camera!

- Designed to house the Pi Camera via clip-in grooves - **NO SCREWS REQUIRED!**
- All cut-outs are pre-cut into the case - **NO MODS REQUIRED!**
- Wall mountable



PART NO.	MATERIALS	DIMENSIONS
CBRPC	Thickness 3mm	L 25.4mm x W 48mm x H 40.4mm

Available in a range of colours, textures and finishes

Stock colours

Textured

White Light grey Mid grey

Dark grey Grey white Black

High gloss

White

Other available colours

Gloss

White Red Green Yellow Orange

Transparent Lilac Purple Black Blue

High gloss

Carbon fibre Metallic silver

Black

Additionally we can match your requested, non-standard colours - contact us for availability

KEY FEATURES

High gloss finish | Wall mountable | Zero modifications required





268
HANDHELD CASES

292
UNIVERSAL
ENCLOSURES

318
HEAVY DUTY
AND ELECTRICAL
ENCLOSURES

342
DESKTOP AND
INSTRUMENT
CASES

348
DEVELOPMENT
BOARD
ENCLOSURES

367
ROOM SENSOR
ENCLOSURES

370
CUSTOM SIZED
ENCLOSURES

Arduino enclosures

Product overview

No screws, no glue, mix and match cases for the arduino.

- Designed to house the Arduino Uno and Ethernet shield, via clip-in grooves - **NO SCREWS REQUIRED!**
- Knockout for ethernet port
- All cut-outs are pre-cut into the case- **NO MODS REQUIRED!**
- Supplied with rubber feet
- Mix and match colours - **HAVE IT YOUR WAY!**



PART NO.	MATERIALS	DIMENSIONS
CBARD	Thickness 3mm	L 94.9mm x W 57.3mm x H 44mm

Available in a range of colours, textures and finishes

Stock colours

Textured

White Light grey Mid grey

Dark grey Grey white Black

High gloss

White

Other available colours

Gloss

White Red Green Yellow Orange

Transparent Lilac Purple Black Blue

High gloss

Carbon fibre Metallic silver

Black

Additionally we can match your requested, non-standard colours - contact us for availability

KEY FEATURES

Mix and match colours | Gloss finish | Supplied with rubber feet



BeagleBone blue enclosures

Product overview

No screws, no glue, cases for the BeagleBone Blue.

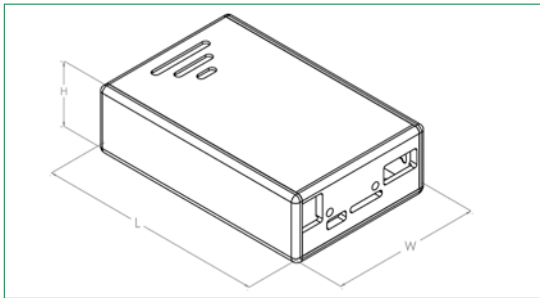
- Designed to house the BeagleBone Blue PCB, via clip-in grooves - **NO SCREWS REQUIRED!**
- All cut-outs are pre-cut into the case - **NO MODS REQUIRED!**
- Latchable slide on clear cover
- Wall mountable
- Supplied with four rubber feet



PART NO.	COLOUR	LENGTH	WIDTH	HEIGHT
CBBBLUE-CLR	Blue	91mm	60mm	27mm

Material

- Coloured materials: High impact polystyrene (HIPS)
- Clear: PETg
- Thickness 3mm: HB rated



KEY FEATURES

Wall mountable | No modifications needed | Slide on clear cover





268
HANDHELD CASES

292
UNIVERSAL
ENCLOSURES

318
HEAVY DUTY
AND ELECTRICAL
ENCLOSURES

342
DESKTOP AND
INSTRUMENT
CASES

348
DEVELOPMENT
BOARD
ENCLOSURES

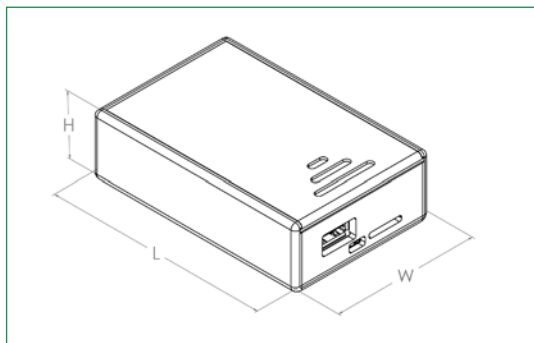
367
ROOM SENSOR
ENCLOSURES

370
CUSTOM SIZED
ENCLOSURES

BeagleBone black enclosures

Product overview

- Designed to house the Beagle Bone Black PCB, via clip-in grooves - **NO SCREWS REQUIRED!**
- All cut-outs are pre-cut into the case - **NO MODS REQUIRED!**
- Wall mountable
- Supplied with four rubber feet
- Latchable slide on clear cover



PART NO.	COLOUR	LENGTH	WIDTH	HEIGHT
CBBBLACK-CLR	Black	91mm	60mm	27mm

Material

- Coloured materials: High impact polystyrene (HIPS)
- Clear: PETg
- Thickness 3mm: HB rated

KEY FEATURES

Wall mountable | High gloss finish | Slide on clear cover



PLASTIC ENCLOSURES

356

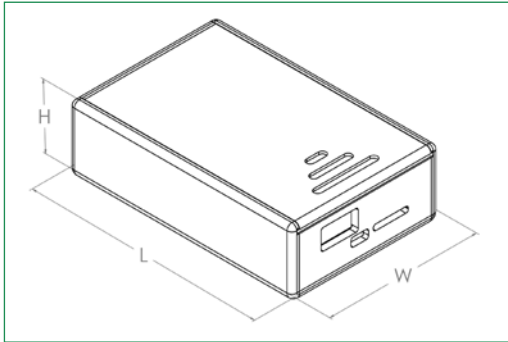


268
HANDHELD CASES

BeagleBone black WIFI enclosures

Product overview

- Designed to house the BeagleBone Black WIFI PCB, via clip-in grooves - **NO SCREWS REQUIRED!**
- All cut-outs are pre-cut into the case - **NO MODS REQUIRED!**
- Wall mountable
- Supplied with four rubber feet
- Latchable slide on clear cover



PART NO.	COLOUR	LENGTH	WIDTH	HEIGHT
CBBBKWIFI-CLR	Black	91mm	60mm	27mm

Material

- Coloured materials: High impact polystyrene (HIPS)
- Clear: PETg
- Thickness 3mm: HB rated

KEY FEATURES

Wall mountable | High gloss finish | Slide on clear cover

292
UNIVERSAL
ENCLOSURES318
HEAVY DUTY
AND ELECTRICAL
ENCLOSURES342
DESKTOP AND
INSTRUMENT
CASES348
DEVELOPMENT
BOARD
ENCLOSURES367
ROOM SENSOR
ENCLOSURES370
CUSTOM SIZED
ENCLOSURES

PLASTIC ENCLOSURES



268
HANDHELD CASES

292
UNIVERSAL
ENCLOSURES

318
HEAVY DUTY
AND ELECTRICAL
ENCLOSURES

342
DESKTOP AND
INSTRUMENT
CASES

348
DEVELOPMENT
BOARD
ENCLOSURES

367
ROOM SENSOR
ENCLOSURES

370
CUSTOM SIZED
ENCLOSURES

Banana Pi enclosures

Product overview

No screws, no glue, cases for the Banana Pi.

- Designed to house the Banana Pi PCB, via clip-in grooves - **NO SCREWS REQUIRED!**
- All cut-outs are pre-cut into the case - **NO MODS REQUIRED!**
- Pre-defined microphone sensor holes
- Wall mountable
- Supplied with four rubber feet
- Front LVDS connector and rear camera slots
- GPIO Headers can be accessed through a slot in the base

CBDBBP



Banana Pi PCB not included

PART NO.	MATERIALS	DIMENSIONS
CBDBBP-M3	Thickness 3mm	L 64mm x W 96.2mm x H 33.4mm
CBDBBP	Thickness 3mm	L 64mm x W 96.2mm x H 33.4mm

Available in a range of colours, textures and finishes

Stock colours

Textured

White Light grey Mid grey

Dark grey Grey white Black

High gloss

White

Other available colours

Gloss

White Red Green Yellow Orange

Transparent Lilac Purple Black Blue

High gloss

Carbon fibre Metallic silver

Black

Additionally we can match your requested, non-standard colours - contact us for availability

KEY FEATURES

Rear camera slots | Wall mountable | Microphone sensor holes



PLASTIC ENCLOSURES



Banana Pi zero enclosures

Product overview

No screws, no glue - just add your **Banana Pi zero** filling!

- Designed to house the Banana Pi zero via clip in grooves - **NO SCREWS REQUIRED!**
- All cut-outs are pre-cut into the case
- Supplied with 4 rubber feet
- Carbon fibre finish base
- Transparent top




Banana Pi zero PCB not included


PART NO.	MATERIALS	DIMENSIONS
CBDBBPZ	Thickness 3mm	L 33mm x W 69.4mm x H 22mm


Available in a range of colours, textures and finishes


Stock colours


Textured



White


Light grey



Mid grey


Dark grey


Grey white



Black


High gloss



White


Other available colours


Gloss



White



Red



Green



Yellow



Orange


Transparent



Lilac



Purple



Black


Blue

High gloss


Carbon fibre


Metallic silver


Black

KEY FEATURES

No screws needed | transparent top | no mods required





268
HANDHELD CASES

292
UNIVERSAL
ENCLOSURES

318
HEAVY DUTY
AND ELECTRICAL
ENCLOSURES

342
DESKTOP AND
INSTRUMENT
CASES

348
DEVELOPMENT
BOARD
ENCLOSURES

367
ROOM SENSOR
ENCLOSURES

370
CUSTOM SIZED
ENCLOSURES

PLASTIC ENCLOSURES

360

Android PC enclosures

Product overview

No screws, no glue, clip together case for the android PC

- Designed to house the Android PC, via clip-in grooves - **NO SCREWS REQUIRED!**
- All cut-outs are pre-cut into the case - **NO MODS REQUIRED!**
- Supplied with rubber feet



PART NO.	MATERIALS	DIMENSIONS
CBAPC	Thickness 3mm	L 174mm x W 89mm x H 44.6mm

Available in a range of colours, textures and finishes

Stock colours

Textured

White

Light grey

Mid grey

Dark grey

Grey white

Black

High gloss

White

Other available colours

Gloss

White

Red

Green

Yellow

Orange

Transparent

Lilac

Purple

Black

Blue

High gloss

Carbon fibre

Metallic silver

Black

Additionally we can match your requested, non-standard colours - contact us for availability

KEY FEATURES

Gloss finish | Variety of colours available | No mods required



APC-board 'rock' enclosures

Product overview

No screws, no glue, clip together case for the APC Rock PC.

- Designed to house the Andriod PC, via clip-in grooves - **NO SCREWS REQUIRED!**
- All cut-outs are pre-cut into the case - **NO MODS REQUIRED!**
- Supplied with rubber feet



PART NO.	MATERIALS	DIMENSIONS
CBARK	Thickness 3mm	L 174mm x W 89mm x H 44.6mm

Available in a range of colours, textures and finishes

Stock colours

Textured

White Light grey Mid grey

Dark grey Grey white Black

High gloss

White

Other available colours

Gloss

White Red Green Yellow Orange

Transparent Lilac Purple Black Blue

High gloss

Carbon fibre Metallic silver

Black

Additionally we can match your requested, non-standard colours - contact us for availability

KEY FEATURES

Gloss finish | Variety of colours available | No screws required





268
HANDHELD CASES

292
UNIVERSAL
ENCLOSURES

318
HEAVY DUTY
AND ELECTRICAL
ENCLOSURES

342
DESKTOP AND
INSTRUMENT
CASES

348
DEVELOPMENT
BOARD
ENCLOSURES

367
ROOM SENSOR
ENCLOSURES

370
CUSTOM SIZED
ENCLOSURES

PLASTIC ENCLOSURES

362

RIoT board enclosures

Product overview

No screws, no glue, cases for the RIoT Board.

- Designed to house the RIoT Board PCB via clip-in grooves - **NO SCREWS REQUIRED!**
- All cut-outs are pre-cut into the case - **NO MODS REQUIRED!**
- Additional pre-defined cutouts on the top of the enclosure for the serial debug port, JTAG and expansion port
- Supplied with rubber feet
- LED light pipe is included (excludes clear version)
- Wall mountable

CBDBRB



RIoT board not included

PART NO.	MATERIALS	DIMENSIONS
CBDBRB	Thickness 3mm	L 123mm x W 79.6mm x H 35.7mm

Available in a range of colours, textures and finishes

Stock colours

Textured

White Light grey Mid grey

Dark grey Grey white Black

High gloss

White

Other available colours

Gloss

White Red Green Yellow Orange

Transparent Lilac Purple Black Blue

High gloss

Carbon fibre Metallic silver

Black

Additionally we can match your requested, non-standard colours - contact us for availability

KEY FEATURES

Gloss finishes | High impact polystyrene | No mods required



DIN Rail Pi B+ P2 P3 enclosures

Product overview

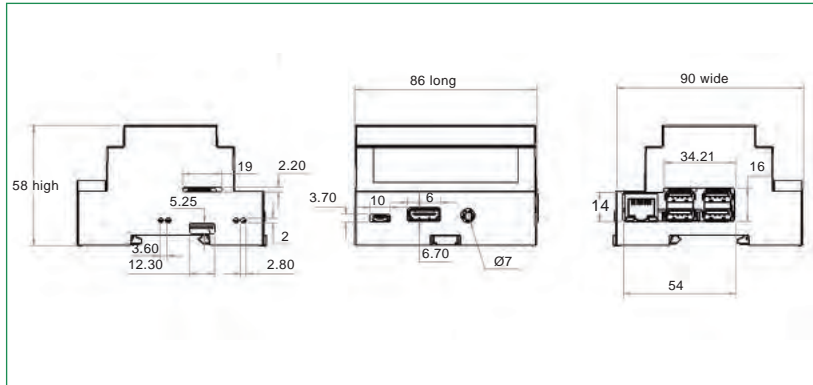
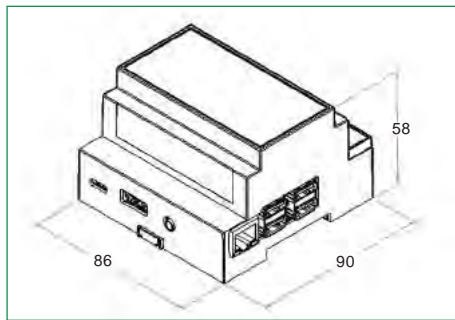
No screws, no glue – just add your **Raspberry Pi** filling!

- Designed to house the Raspberry Pi B+, P2, Pi3 via clip-in design - **NO SCREWS REQUIRED!**
- All cut-outs are pre-cut into the case - **NO MODS REQUIRED!**
- I/O Connector can be accessed through the terminal guard
- Slot for display ribbon cable
- DIN rail mountable
- Wall mountable
- Moulded in PC (polycarbonate)

CBRPI-DR



Raspberry Pi B+, P2, P3 PCB not included



PART NO.	MATERIALS	DIMENSIONS
CBRPI-DR	Thickness 3mm	L 88mm x W 90mm x H 58mm

Available in a range of colours, textures and finishes

Stock colours

Textured

White

Light grey

Mid grey

Dark grey

Grey white

Black

High gloss

White

Other available colours

Gloss

White

Red

Green

Yellow

Orange

Transparent

Lilac

Purple

Black

Blue

High gloss

Carbon fibre

Metallic silver

Black

Additionally we can match your requested, non-standard colours - contact us for availability

KEY FEATURES

High quality polycarbonate | DIN rail mountable | No mods required





268
HANDHELD CASES

292
UNIVERSAL
ENCLOSURES

318
HEAVY DUTY
AND ELECTRICAL
ENCLOSURES

342
DESKTOP AND
INSTRUMENT
CASES

348
DEVELOPMENT
BOARD
ENCLOSURES

367
VERSATILE IOT
AND SENSOR
ENCLOSURES

370
CUSTOM SIZED
ENCLOSURES

DIN Rail Pi 4B enclosures

Product overview

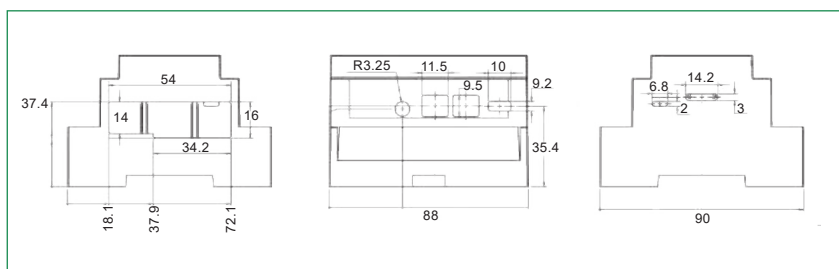
No screws, no glue – just add your **Raspberry Pi** filling!

- Designed to house the Raspberry Pi 4B via clip-in design - **NO SCREWS REQUIRED!**
- All cut-outs are pre-cut into the case - **NO MODS REQUIRED!**
- Pi 4 board is mounted upside down so that a Pi HAT can be fitted
- Terminal guards can be left off to increase air flow
- Slot for display ribbon cable
- DIN Rail mountable or wall mountable
- Moulded in PC (polycarbonate)

CBRPI-DR



Raspberry Pi B+, P2, P3 PCB not included



PART NO.	MATERIALS	DIMENSIONS
CBRPI-DR-4-GRY	Thickness 3mm	L 88mm x W 90mm x H 58mm
CBRPI-DR-4-CLR	Thickness 3mm	L 88mm x W 90mm x H 58mm

KEY FEATURES

High quality polycarbonate | DIN Rail mountable | No mods required



PLASTIC ENCLOSURES



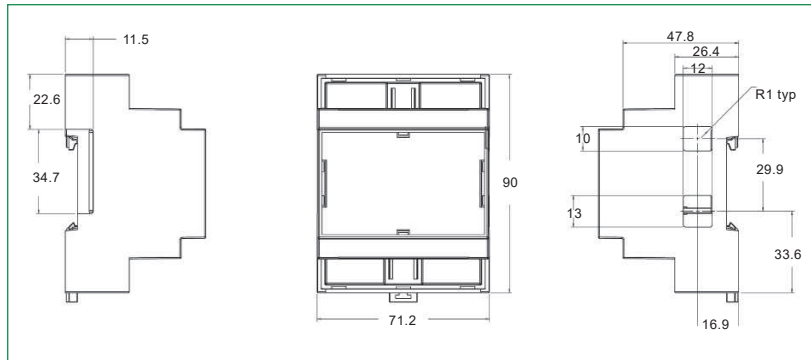
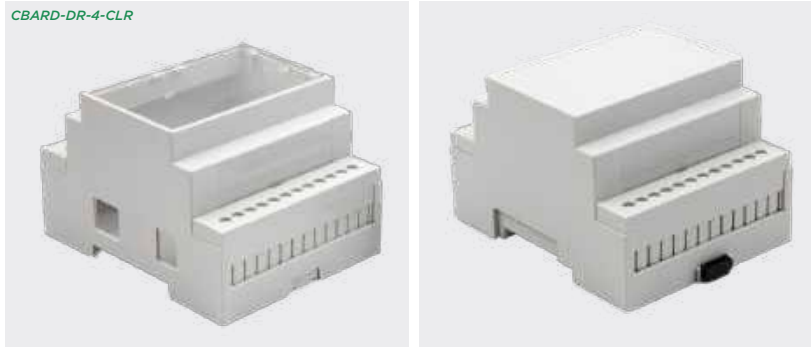
DIN Rail Arduino enclosures

Product overview

This DIN Rail mountable enclosure allows you to add your Arduino board without the need for screws or glue.

- Designed to house the Arduino Uno and Ethernet shield via clip-in grooves - **NO SCREWS REQUIRED!**
- All cut-outs are pre-cut into the case - **NO MODS REQUIRED!**
- DIN Rail or wall mountable
- Moulded in light grey UL94-V0 flame retardant polycarbonate
- Kit comes with snap in cover, two snap fit terminal guards
- Base fits 35mm DIN Rail or directly to flat surface
- Easily customised covers and terminal guards

CBARD-DR-4-CLR



PART NO.	MATERIALS	DESCRIPTION	DIMENSIONS
CBARD-DR-4-CLR	Thickness 3mm	Enclosure kit for Arduino Uno, clear lid	L 71.2mm x W 90mm x H 58mm
CBARD-DR-4-GRY	Thickness 3mm	Enclosure kit for Arduino Uno, solid lid	L 71.2mm x W 90mm x H 58mm
CBARDES-DR-4-CLR	Thickness 3mm	Enclosure kit for Arduino Uno and ethernet shield, clear lid	L 71.2mm x W 90mm x H 58mm
CBARDES-DR-4-GY	Thickness 3mm	Enclosure kit for Arduino Uno and ethernet shield, solid lid	L 71.2mm x W 90mm x H 58mm

KEY FEATURES

High quality polycarbonate | DIN Rail mountable | No mods required





268
HANDHELD CASES

292
UNIVERSAL
ENCLOSURES

318
HEAVY DUTY
AND ELECTRICAL
ENCLOSURES

342
DESKTOP AND
INSTRUMENT
CASES

348
DEVELOPMENT
BOARD
ENCLOSURES

367
ROOM SENSOR
ENCLOSURES

370
CUSTOM SIZED
ENCLOSURES

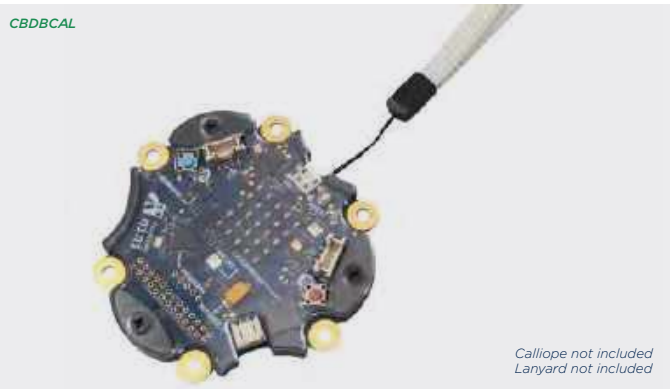
PLASTIC ENCLOSURES

364

Calliope mini board enclosures

Product overview

- Designed to suit the Calliope mini board
- Black base houses the Calliope
- Clear cover is mounted via x3 M3 black machine screws
- Cut-outs for A and B buttons
- Cut-outs for connectors
- Cleverly shaped design to allow access to x6 outer terminals
- Rear holes for lanyard



PART NO.

CBDBCAL-BLK

KEY FEATURES

Cut-outs for connectors | Holes for lanyard | Cleverly shaped





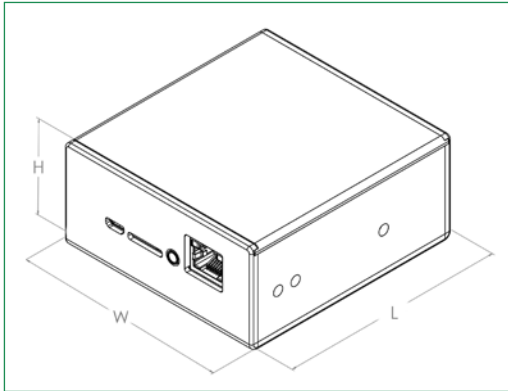
268

HANDHELD CASES

Latte panda board cases

Product overview

- Designed to house the Latte Panda development board
- All cut-outs are pre-cut into the case - **NO MODS REQUIRED!**
- No screws needed
- Textured finish
- Slide on clear cover



PART NO.	COLOUR	LENGTH	WIDTH	HEIGHT
CBLPBC-BK	Black	92mm	86mm	4mm

Material

- Case: back high impact polystyrene (HIPS)
- Cover: clear PETg
- Thickness 3mm: HB rated
- UL94-HB

KEY FEATURES

Textured finish | No screws needed | Slide on clear cover



292

UNIVERSAL ENCLOSURES

318

HEAVY DUTY AND ELECTRICAL ENCLOSURES

342

DESKTOP AND INSTRUMENT CASES

348

DEVELOPMENT BOARD ENCLOSURES

367

ROOM SENSOR ENCLOSURES

370

CUSTOM SIZED ENCLOSURES

PLASTIC ENCLOSURES



268
HANDHELD CASES

292
UNIVERSAL
ENCLOSURES

318
HEAVY DUTY
AND ELECTRICAL
ENCLOSURES

342
DESKTOP AND
INSTRUMENT
CASES

348
DEVELOPMENT
BOARD
ENCLOSURES

367
ROOM SENSOR
ENCLOSURES

370
CUSTOM SIZED
ENCLOSURES

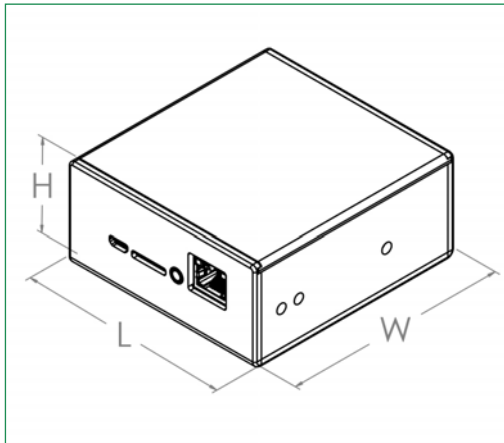
PLASTIC ENCLOSURES

366

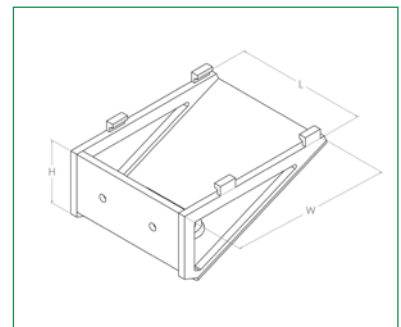
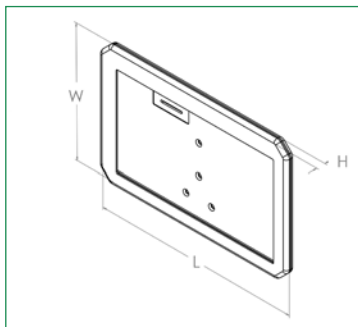
Latte panda screen kit black - screen, stand and case

Product overview

- Designed to house the Latte Panda screen and board
- All cut-outs are pre-cut into the case - **NO MODS REQUIRED!**
- Self-standing
- Table top screen kit
- No screws needed to secure the case to the screen
- Textured finish
- Screen kit comes with stand and PCB enclosure
- Slide on clear cover



PART NO.	COLOUR
CBLPSKIT/BLK	Black



Material

- Black high impact polystyrene (HIPS)
- Clear: PETg
- Thickness 3mm: HB rated

Dimensions

- Case: L=92xW=86xH=41mm
- Screen: L=184xW=116xH=8mm
- Stand: L=57xW=71xH=33mm

KEY FEATURES

Textured finish | No screws needed | No mods required



ROOM SENSOR ENCLOSURES

Room sensor style enclosures designed for wall mount applications



Room sensor enclosures

368

268
HANDHELD CASES

292
UNIVERSAL ENCLOSURES

318
HEAVY DUTY AND ELECTRICAL ENCLOSURES

342
DESKTOP AND INSTRUMENT CASES

348
DEVELOPMENT BOARD ENCLOSURES

367
ROOM SENSOR ENCLOSURES

370
CUSTOM SIZED ENCLOSURES

PLASTIC ENCLOSURES

268
HANDHELD CASES

292
UNIVERSAL
ENCLOSURES

318
HEAVY DUTY
AND ELECTRICAL
ENCLOSURES

342
DESKTOP AND
INSTRUMENT
CASES

348
DEVELOPMENT
BOARD
ENCLOSURES

367
VERSATILE IOT
AND SENSOR
ENCLOSURES

370
CUSTOM SIZED
ENCLOSURES

1500 series - universal smart enclosure kit

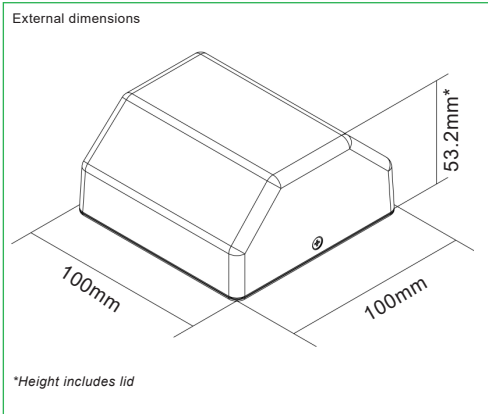
Product overview

A multi-purpose, advanced plastic enclosure ideal for modern electronic applications. The 45 degree angles allow the enclosure to be mounted at an angle on desks or walls, it can also be mounted directly in the corner of a room.

- Includes versatile wall mounting system providing a variety of mounting options
- Multi-faceted design can be used in a variety of orientations
- Two sets of PCB pillars in both the lid and base allow multiple PCB mounting options
- Lid panel secured by single screw for ease of assembly
- Lid features a recess; ideal for touch pads, digital displays and overlays
- Premium quality, modern appearance
- Moulded in UL94-V0 ABS
- Available in vented and unvented versions
- Available in black, white or grey
- Manufactured in the UK
- Components of kit available separately (subject to MOQ's and lead times)



SPECIFICATION TABLE			
Material	Base	UL94-V0 ABS	
	Lid	UL94-V0 ABS/ brass M3 insert	
	Wall mount bracket	UL94-V0 ABS	
	Wall mount lugs	UL94-V0 ABS	
	All screws/ nuts	BZP (bright zinc plated steel)	
Colours available	White	RAL9003	
	Black	RAL9005	
	Grey	RAL7047	
IP rating	Vented	IP30	
	Solid	IP40	
Operating temperature	-10°C to + 80°C		
Screw torque	Self tapping (security and mounting lug)	0.2Nm	Max insertions = 2
	M3 (lid and mounting lug)	0.5Nm	Max insertions >1000



1500 SERIES KIT WITH 45° WALL MOUNT BRACKET

PART NO.	STYLE	COLOUR
CB1500-10VWH-KIT	Vented	White
CB1500-10SWH-KIT	Solid	White
CB1500-10VBK-KIT	Vented	Black
CB1500-10SBK-KIT	Solid	Black
CB1500-10VGY-KIT	Vented	Grey
CB1500-10SGY-KIT	Solid	Grey



KIT CONTAINS	DESCRIPTION	QTY
Base		1
Lid		1
Lid screw	M3 x 10 CSK pozi	1
45° wall mount bracket		1
Wall mount lugs		2
Lug screws (self tapping)	No4 x 3/8" pan pozi self tapping	2
Lug screws (M3)	M3 x 10 CSK Pozi	2
Lug nuts	M3 full nut	2
Wall mount security screw	2.9 x 16 pan pozi self tapping	1



1500 SERIES ENCLOSURE ONLY

PART NO.	STYLE	COLOUR
CB1500-10VWH	Vented	White
CB1500-10SWH	Solid	White
CB1500-10VBK	Vented	Black
CB1500-10SBK	Solid	Black
CB1500-10VGY	Vented	Grey
CB1500-10SGY	Solid	Grey

ENCLOSURE CONTAINS	QUANTITY
Base	x 1
Lid	x 1
Lid screw	M3 x 10 CSK pozi x 1



292
UNIVERSAL ENCLOSURES

318
HEAVY DUTY AND ELECTRICAL ENCLOSURES

342
DESKTOP AND INSTRUMENT CASES

348
DEVELOPMENT BOARD ENCLOSURES

367
VERSATILE IOT AND SENSOR ENCLOSURES

ALTERNATIVE BRACKET KIT OPTION

- Flat mounting bracket to allow enclosure 'end' to be wall mounted

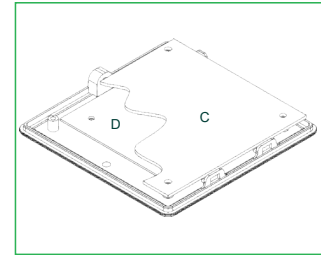
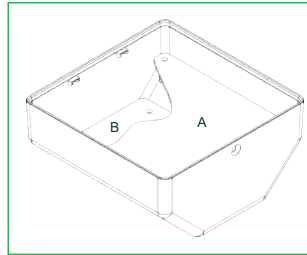
PART NO.	DESCRIPTION
CBWM-10WH	Flat mounting plate white
CBWM-10BK	Flat mounting plate black
CBWM-10GY	Flat mounting plate grey



KIT CONTAINS	DESCRIPTION	QTY
Wall mount bracket		1
Wall mount lugs		2
Lug screws (self tapping)	No4 x 3/8" pan pozi self tapping	2
Lug screws (M3)	M3 x 10 CSK Pozi	2
Lug nuts	M3 full nut	2
Wall mount security screw	2.9 x 16 pan pozi self tapping	1

PCB SIZE AND POSITION

PCB POSITION	MAX LENGTH	MAX WIDTH	MOUNT HOLE SPACING
PCB position A	93mm	93mm	85 x 85mm
PCB position B	93mm	65.8mm	58 x 49mm
PCB position C	91.5mm	91.5mm	75 x 75mm
PCB position D	70mm	70mm	50 x 50mm



370
CUSTOM SIZED ENCLOSURES

Individual parts to order to your exact requirement

Please note, MOQ/lead times may apply

PART NUMBER	DESCRIPTION	PART
BIM/screw-M3	Lid screw	M3 x 10 CSK pozi
BIM/screw-M3	Lug screws (M3)	M3 x 10 CSK pozi
CBWM45-BR-10WH	45° - size 10 wall mount bracket - white	45 degree bracket only
CBWM45-BR-10BK	45° - size 10 wall mount bracket - black	45 degree bracket only
CBWM45-BR-10GY	45° - size 10 wall mount bracket - grey	45 degree bracket only
CBWM-NUT-10WH	Wall mount lugs - white	Wall mount lugs; 2 required
CBWM-NUT-10BK	Wall mount lugs - black	Wall mount lugs; 2 required
CBWM-NUT-10GY	Wall mount lugs - grey	Wall mount lugs; 2 required
KF351	Lug screws (self tapping)	No4 x 3/8" pan pozi self tapping
KF254	Lug nuts	M3 full nut
KF353	Wall mount security screw	2.9 x 16 pan pozi self tapping
KF354	Lid screw (torx)	M3 x 10 Torx head screw
KF355	PCB mounting screws	2.9mm x 6.5mm pan head screw
CBWM-BR-10BK	Size 10 wall mount bracket - black	Flat wall mount bracket only
CBWM-BR-10GY	Size 10 wall mount bracket - grey	Flat wall mount bracket only
CBWM-BR-10WH	Size 10 wall mount bracket - white	Flat wall mount bracket only

PLASTIC ENCLOSURES



268
HANDHELD CASES

292
UNIVERSAL
ENCLOSURES

318
HEAVY DUTY
AND ELECTRICAL
ENCLOSURES

342
DESKTOP AND
INSTRUMENT
CASES

348
DEVELOPMENT
BOARD
ENCLOSURES

367
VERSATILE IOT
AND SENSOR
ENCLOSURES

370
CUSTOM SIZED
ENCLOSURES

Room sensor enclosures



Product overview

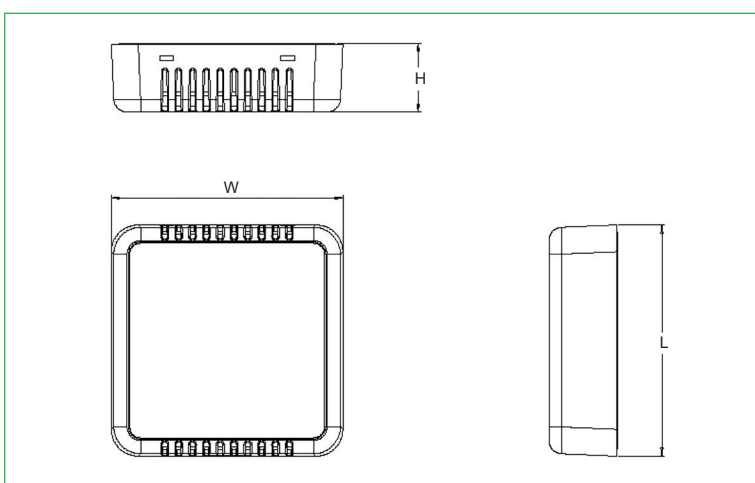
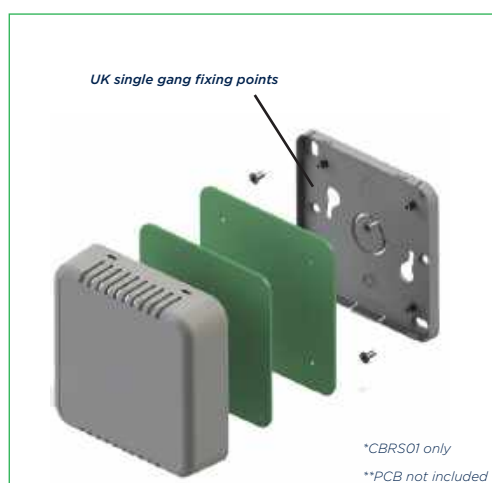
A range of versatile wall mountable enclosures, available in two body types, three sizes and three colours. The vented housing allows airflow, making them ideal for thermostats, environmental sensing and IoT applications. The solid housing lends itself to wall mount controls and smart applications such as lighting, security or network modules.

- Moulded in recyclable ABS UL94-V0
- Front and back clip together construction (tool required for disassembly once mounted)
- Internal PCB mount pillars moulded into the front and back sections of the housing (Pi A+ fits base of CBR202, no PCB mounts in back of CBR203)
- Internal clips moulded into fronts for snap-in PCB (Arduino fits CBR202 and Thunder Sense fits CBR203)
- Recessed front face for overlay
- Recesses in rear face for additional labelling (CRBS01 and CBR202)
- Solid and vented versions available
- Rear knockout for cable entry (20mm diameter)
- Multiple mounting options, including single gang UK-plug back box (CBRS01)
- Sizes to house standard batteries: PP3-9V & AA in CBR201 & CBR202, CR3032 Coin-Cell in CBR203
- Three colour options: white RAL9003, light grey RAL7047 and black RAL9005
- Manufactured in the UK



SPECIFICATION	
Materials	ABS UL94-V0
Operating temperature	-10°C to + 70°C
Standard unit includes	Enclosure lid Enclosure base

WHITE	BLACK	GREY	SIZE	STYLE	LENGTH	WIDTH	HEIGHT
CBRS01SWH	CBRS01SBK	CBRS01SGY	1	Solid	86mm	86mm	25.5mm
CBRS01VWH	CBRS01VBK	CBRS01VGY	1	Vented	86mm	86mm	25.5mm
CBRS02SWH	CBRS02SBK	CBRS02SGY	2	Solid	74mm	74mm	25.5mm
CBRS02VWH	CBRS02VBK	CBRS02VGY	2	Vented	74mm	74mm	25.5mm
CBRS03SWH	CBRS03SBK	CBRS03SGY	3	Solid	51mm	51mm	25.5mm
CBRS03VWH	CBRS03VBK	CBRS03VGY	3	Vented	51mm	51mm	25.5mm



KEY FEATURES

Smart electronics enclosure | No screws needed | Easy wall mounting





www.camdenboss.com

CAMDENBOSS

The interconnect solution designed to withstand the elements

Rated to IP68 and manufactured from nickel plated brass; the range provides sourcing professionals a flexible, robust solution for demanding environments.

With options to accommodate a variety of wire gauges, available from 3 to 19 poles and with panel mounting or 'in line' formats; CamCirc is the ideal choice for design and development engineers.

View the full range on pages 100-150 or call our sales team on 01638 716101





268
HANDHELD CASES

292
UNIVERSAL
ENCLOSURES

318
HEAVY DUTY
AND ELECTRICAL
ENCLOSURES

342
DESKTOP AND
INSTRUMENT
CASES

348
DEVELOPMENT
BOARD
ENCLOSURES

367
ROOM SENSOR
ENCLOSURES

370
CUSTOM SIZED
ENCLOSURES

PLASTIC ENCLOSURES

370

CUSTOM SIZED ENCLOSURES

Custom sized enclosures in a wide variety of styles manufactured in HIPS or ABS. CNC milling, screen printing, membranes, and overlays are also available.

		
Custom cases 372	7510 series Snap together enclosures 374	7520 series wall mount enclosures 375
		
7530 series Base and lid enclosures 376	7540 series Surface mount boxes 377	7550 series End panel enclosures 378
		
7560 series Flanged base enclosures 379	7570 series Curved style enclosures 380	7580 series Tablet style enclosures 381
		
7590 series Flanged tablet style enclosures 382	7610 series 45° enclosures 383	7620 series 45° flanged enclosures 384

268
HANDHELD CASES

292
UNIVERSAL ENCLOSURES

318
HEAVY DUTY AND ELECTRICAL ENCLOSURES

342
DESKTOP AND INSTRUMENT CASES

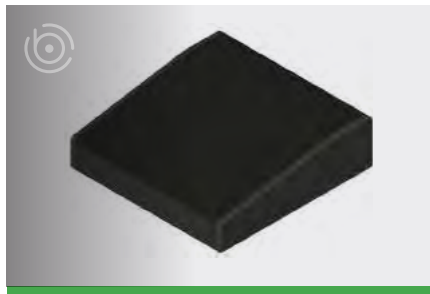
348
DEVELOPMENT BOARD ENCLOSURES

367
ROOM SENSOR ENCLOSURES

370
CUSTOM SIZED ENCLOSURES

PLASTIC ENCLOSURES

371



7630 series
Angled front enclosures **385**



7640 series
Flanged angled front enclosures **386**



7810 series
DIN Rail mount enclosures **387**



9400 series
Custom potting boxes **388**



268
HANDHELD CASES

292
UNIVERSAL
ENCLOSURES

318
HEAVY DUTY
AND ELECTRICAL
ENCLOSURES

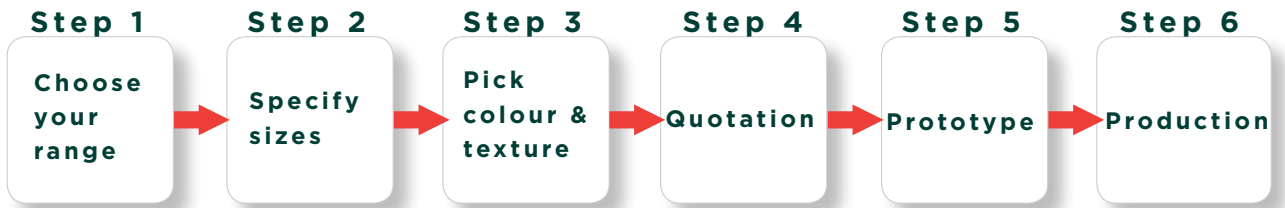
342
DESKTOP AND
INSTRUMENT
CASES

348
DEVELOPMENT
BOARD
ENCLOSURES

367
ROOM SENSOR
ENCLOSURES

370
CUSTOM SIZED
ENCLOSURES

Custom cases



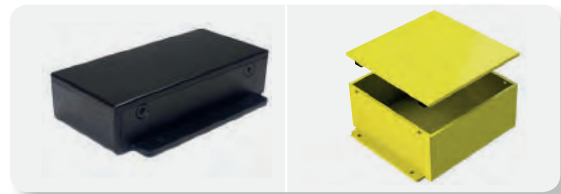
Custom sizes from standard designs

- no design charges!

Our extensive range of standard enclosure designs can be quickly modified to your exact sizes and requirements. Additional customisation options include cut-outs, PCB mounting pillars, recesses and various standard materials and colours that can be incorporated without design charges.

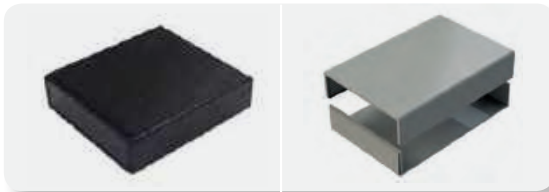
7540 series - surface mount boxes

- Flanged base enclosures with screw fixed lid. Flanges are incorporated into the base box for surface mounting. Flanges can be added to the lid instead if required.



7510 series - snap together enclosures

- 2 u-shape snap-together enclosures without fixing screws. A PCB can be clipped into the base shell without the need for PCB mounting screws. The base and cover can be different colours.



7550 series - end panel enclosures

- 4 part snap-together enclosures with removable end panels. Ideal for housing PCBs with components protruding from two or more sides. End panels, base and cover can all be different colours.



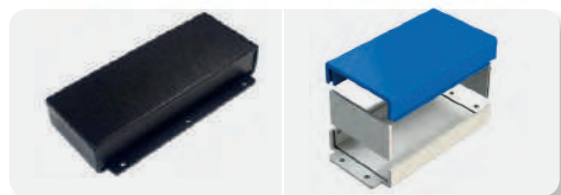
7520 series - wall mount enclosures

- 2 u-shape snap-together flanged enclosures without fixing screws. Flanges are incorporated into the base shell for surface mounting. The base and cover can be different colours.



7560 series - flanged base enclosures

- 4 part snap-together enclosures with flanged base and removable end panels. End panels, base and cover can all be different colours.



7530 series - base and lid enclosures

- Base box enclosures with screw fixed lid. Brass inserts are fitted to the lid for maximum internal capacity of the base box.



7570 series - curve style enclosures

- 4 part snap-together enclosures with curved feature and removable end panels. End panels, base and cover can all be different colours.

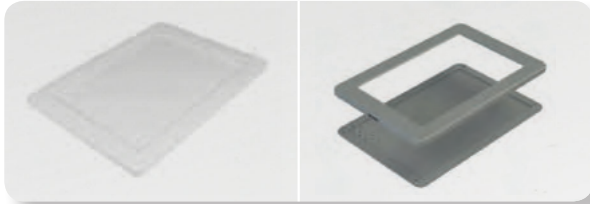


PLASTIC ENCLOSURES



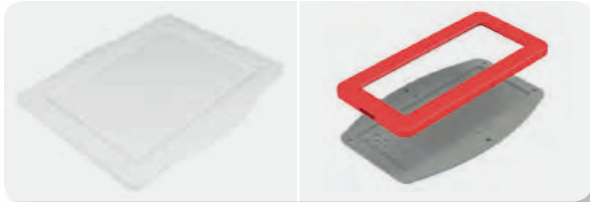
7580 series - tablet style enclosures

- Low profile 2 part touch screen enclosures. Screen cut-out and screen fixing points can be changed to your requirements. Overall sizes and depths can also be changed to specific requirements.



7590 series - flanged tablet style enclosures

- Low profile 2 part flanged touch screen enclosures. Screen cut-out and screen fixing points can be changed to your requirements. Overall sizes and depths can also be changed to specific requirements. Flanges allow for surface mounting.



7610 series - 45° enclosures

- Clip together enclosures with 45 degree bends for superior aesthetics. Fixing blocks can be added for securing the enclosure.



7620 series - 45° flanged enclosures

- Clip-together flanged enclosures with 45 degree bends for superior aesthetics. Fixing blocks can be added for securing the enclosure. Flanges allow for surface mounting.



7630 series - angled front enclosures

- Angled front enclosures designed for control applications. Removable base via x4 M3 screws. All dimensions, including the angle can be changed to specific requirements.



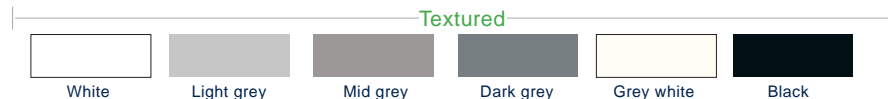
7640 series - flanged angled front enclosures

- Flanged angled front enclosures designed for control applications. Removable base via x4 M3 screws. All dimensions, including the angle can be changed to specific requirements. Flanges allow for surface mounting.

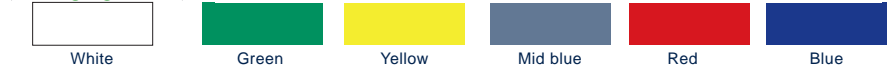


Available in a range of colours, textures and finishes

Stock colours



High gloss | **Textured - thicker materials (flat panels & sandwich constructions)**



Other available colours



Additionally we can match your requested, non-standard colours - contact us for availability



7510 series Snap together enclosures

No design charges - No tooling

Simply provide your internal dimensions for a free quotation

Product overview

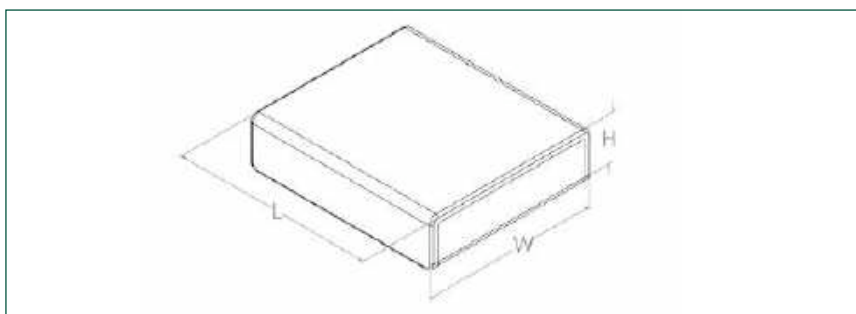
Snap together enclosures that can be manufactured in **custom** sizes to fit your PCB assembly and components.

Features

- 2-U-shape snap together construction
- Manufactured to your custom specifications
- Various material colour and specification options
- Manufactured to order on short lead-times
- UV stabilised white, greys and black plastics

Options

- Manufactured in either HIPS UL94-HB, ABS acrylic capped or listed ABS UL94-V0
- CNC milling (holes, cut-outs, vents, pockets, pillars, windows)
- Screen printing/membranes/overlays



PART NO.	LENGTH (INT)	WIDTH (INT)	HEIGHT (INT)	LENGTH (EXT)	WIDTH (EXT)	HEIGHT (EXT)
7511	75mm	65mm	15mm	81mm	71mm	21mm
7512	100mm	75mm	18mm	106mm	61mm	24mm
7513	100mm	50mm	15mm	106mm	56mm	21mm
7514	120mm	80mm	20mm	126mm	86mm	26mm
7515	250mm	120mm	50mm	256mm	126mm	56mm
7516	103mm	75mm	35mm	109mm	81mm	41mm
7517	113mm	60mm	30mm	119mm	66mm	36mm
7518	113mm	113mm	83mm	119mm	119mm	89mm
7519	144mm	75mm	40mm	150mm	81mm	46mm
Custom size	Please advise dimensions					

Available in a range of colours:



KEY FEATURES

U-shell design | HB as standard V0 optional | Manufactured to order



7520 series Wall mount enclosures

No design charges - No tooling

Simply provide your internal dimensions for a free quotation

Product overview

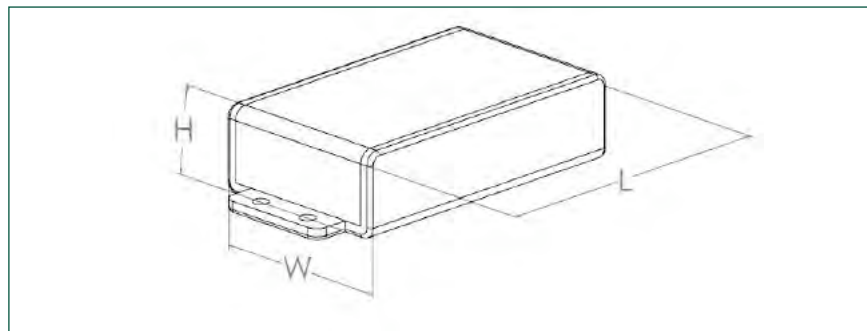
Wall mount enclosures manufactured in custom sizes to fit your PCB assembly and components.

Features

- 2-U-shape snap together flanged construction
- Wall mounted via flanged sides
- Manufactured to your custom specifications
- Various material colour and specification options
- Manufactured to order on short lead-times

Options

- Manufactured in either HIPS UL94-HB, ABS acrylic capped or listed ABS UL94-V0
- CNC milling (holes, cut-outs, vents, pockets, pillars, windows)
- Screen printing/membranes/overlays



PART NO.	LENGTH (INT)	WIDTH (INT)	HEIGHT (INT)	LENGTH (EXT)	WIDTH (EXT)	HEIGHT (EXT)
7521	75mm	40mm	15mm	76mm	46mm	21mm
7522	100mm	45mm	18mm	106mm	51mm	24mm
7523	120mm	50mm	20mm	126mm	56mm	26mm
7524	150mm	150mm	50mm	156mm	156mm	56mm
7525	220mm	150mm	65mm	226mm	156mm	71mm
Custom size	Please advise dimensions					

Available in a range of colours:



KEY FEATURES

U-shell design | HB as standard V0 optional | Surface mount tabs





268
HANDHELD CASES

292
UNIVERSAL
ENCLOSURES

318
HEAVY DUTY
AND ELECTRICAL
ENCLOSURES

342
DESKTOP AND
INSTRUMENT
CASES

348
DEVELOPMENT
BOARD
ENCLOSURES

367
ROOM SENSOR
ENCLOSURES

370
CUSTOM SIZED
ENCLOSURES

7530 series Base and lid enclosures

No design charges - No tooling

Simply provide your internal dimensions for a free quotation

Product overview

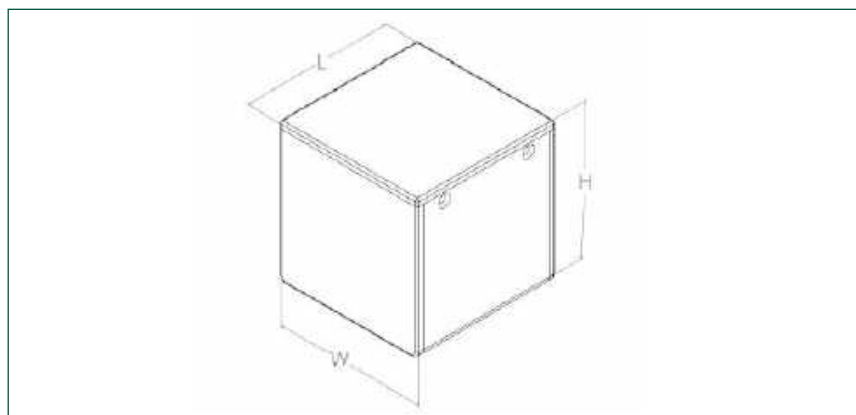
Base and lid enclosures manufactured in **custom** sizes to fit your PCB assembly and components.

Features

- Base and lid construction
- (x4) M3 countersink screws
- Manufactured to your custom specifications
- Various material colour and specification options
- Manufactured to order on short lead-times

Options

- Manufactured in either HIPS UL94-HB, ABS acrylic capped or listed ABS UL94-V0
- CNC milling (holes, cut-outs, vents, pockets, pillars, windows)
- Screen printing/membranes/overlays



PART NO.	LENGTH (INT)	WIDTH (INT)	HEIGHT (INT)	LENGTH (EXT)	WIDTH (EXT)	HEIGHT (EXT)
7531	60mm	60mm	60mm	66mm	66mm	66mm
7532	95mm	75mm	35mm	101mm	81mm	41mm
7533	110mm	100mm	18mm	116mm	106mm	24mm
7534	165mm	90mm	25mm	171mm	96mm	31mm
7535	215mm	130mm	40mm	221mm	136mm	46mm
7536	75mm	50mm	30mm	85mm	56mm	36mm
7537	106mm	58mm	22mm	112mm	64mm	28mm
7538	146mm	75mm	40mm	152mm	81mm	46mm
7539	187mm	106mm	50mm	193mm	112mm	56mm
Custom size	Please advise dimensions					

Available in a range of colours:



KEY FEATURES

Lid and deep base | HB as standard V0 optional | Deep profile



7540 series Surface mount boxes

No design charges - No tooling

Simply provide your internal dimensions for a free quotation

Product overview

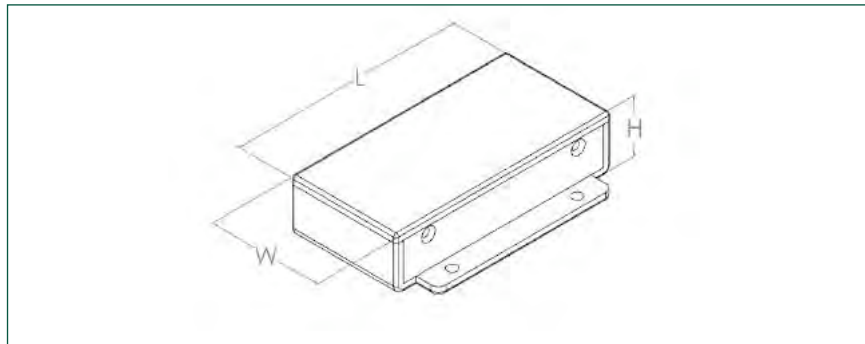
Surface mount boxes manufactured in **custom** sizes to fit your PCB assembly and components.

Features

- Base and lid construction
- Lid secured via (x4) M3 countersink screws
- Manufactured to your custom specifications
- Various material colour and specification options
- Manufactured to order on short lead-times

Options

- Manufactured in either HIPS UL94-HB, ABS acrylic capped or listed ABS UL94-V0
- CNC milling (holes, cut-outs, vents, pockets, pillars, windows)
- Screen printing/membranes/overlays



PART NO.	LENGTH (INT)	WIDTH (INT)	HEIGHT (INT)	LENGTH (EXT)	WIDTH (EXT)	HEIGHT (EXT)
7541	80mm	36mm	15mm	86mm	42mm	21mm
7542	90mm	90mm	20mm	96mm	96mm	26mm
7543	100mm	100mm	45mm	106mm	106mm	51mm
7544	175mm	105mm	65mm	181mm	111mm	71mm
7545	195mm	145mm	50mm	201mm	151mm	56mm
Custom size	Please advise dimensions					

Available in a range of colours:



KEY FEATURES

Screw secure lid | Base and lid construction | Surface mount tabs



7550 series End panel enclosures

No design charges - No tooling

Simply provide your internal dimensions for a free quotation

Product overview

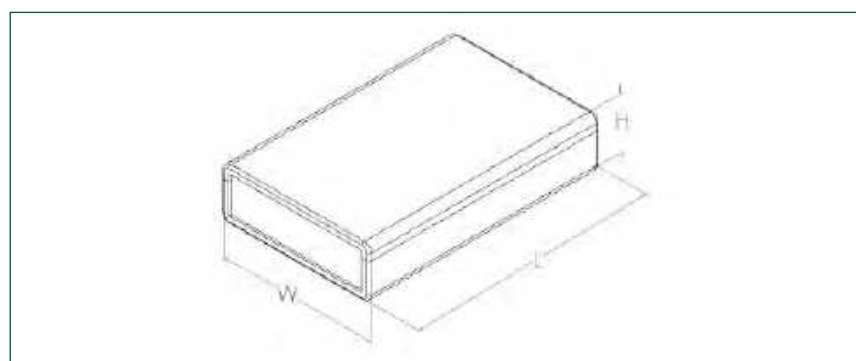
End panel enclosures manufactured in **custom** sizes to fit your PCB assembly and components.

Features

- Snap-together construction
- Four part end panel design
- Manufactured to your custom specifications
- Various material colour and specification options
- Manufactured to order on short lead-times

Options

- Manufactured in either HIPS UL94-HB, ABS acrylic capped or listed ABS UL94-V0
- CNC milling (holes, cut-outs, vents, pockets, pillars, windows)
- Screen printing/membranes/overlays



PART NO.	LENGTH (INT)	WIDTH (INT)	HEIGHT (INT)	LENGTH (EXT)	WIDTH (EXT)	HEIGHT (EXT)
7551	92mm	58mm	15mm	100mm	64mm	21mm
7552	112mm	64mm	25mm	120mm	70mm	31mm
7553	118mm	118mm	30mm	126mm	124mm	36mm
7554	144mm	70mm	32mm	152mm	76mm	38mm
7555	244mm	80mm	80mm	252mm	86mm	86mm
Custom size	Please advise dimensions					

Available in a range of colours:



KEY FEATURES

Snap together case | Four piece construction | End panels



7560 series Flanged base enclosures

No design charges - No tooling

Simply provide your internal dimensions for a free quotation

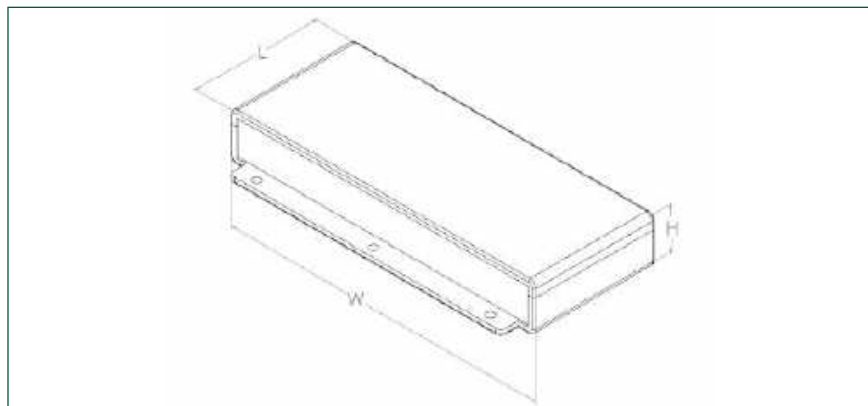
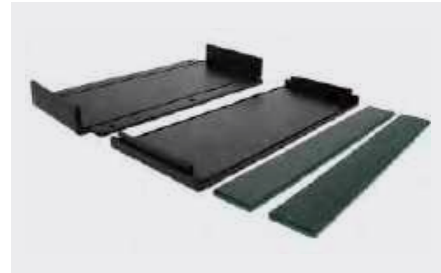
Flanged base enclosures manufactured in **custom** sizes to fit your PCB assembly and components.

Features

- Flanged base snap-together construction
- Four part side panel design
- Manufactured to your custom specifications
- Various material colour and specification options
- Manufactured to order on short lead-times

Options

- Manufactured in either HIPS UL94-HB, ABS acrylic capped or listed ABS UL94-V0
- CNC milling (holes, cut-outs, vents, pockets, pillars, windows)
- Screen printing/membranes/overlays



PART NO.	LENGTH (INT)	WIDTH (INT)	HEIGHT (INT)	LENGTH (EXT)	WIDTH (EXT)	HEIGHT (EXT)
7561	54mm	150mm	18mm	60mm	156mm	24mm
7562	94mm	54mm	26mm	100mm	60mm	32mm
7563	128mm	102mm	32mm	134mm	108mm	38mm
7564	192mm	122mm	64mm	198mm	128mm	70mm
7565	212mm	134mm	25mm	218mm	142mm	31mm
Custom size	Please advise dimensions					

Available in a range of colours:



KEY FEATURES

Snap together case | Four piece construction | Flanged base



PLASTIC ENCLOSURES



268
HANDHELD CASES

292
UNIVERSAL
ENCLOSURES

318
HEAVY DUTY
AND ELECTRICAL
ENCLOSURES

342
DESKTOP AND
INSTRUMENT
CASES

348
DEVELOPMENT
BOARD
ENCLOSURES

367
ROOM SENSOR
ENCLOSURES

370
CUSTOM SIZED
ENCLOSURES

7570 series Curved style enclosures

No design charges - No tooling

Simply provide your internal dimensions for a free quotation

Product overview

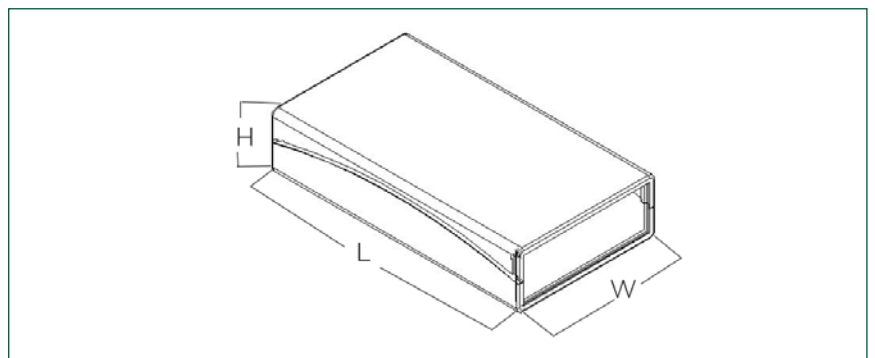
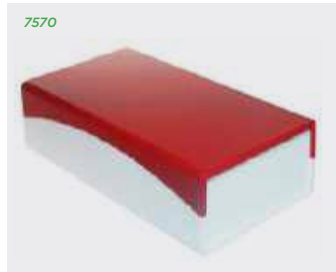
Curved style enclosures manufactured in **custom** sizes to fit your PCB assembly and components.

Features

- Four part end panel design
- Snap-together design
- Manufactured to your custom specifications
- Various material colour and specification options
- Manufactured to order on short lead-times

Options

- Manufactured in either HIPS UL94-HB, ABS acrylic capped or listed ABS UL94-V0
- CNC milling (holes, cut-outs, vents, pockets, pillars, windows)
- Screen printing/membranes/overlays



PART NO.	LENGTH (INT)	WIDTH (INT)	HEIGHT (INT)	LENGTH (EXT)	WIDTH (EXT)	HEIGHT (EXT)
7571	130.1mm	71mm	25mm	138.5mm	77mm	31mm
7572	100.1mm	121mm	25mm	108.5mm	127mm	31mm
7573	150.1mm	141mm	40mm	158.5mm	147mm	46mm
7574	175.1mm	151mm	50mm	183.5mm	157mm	56mm
7575	180.1mm	171mm	55mm	188.5mm	177mm	61mm
Custom size	Please advise dimensions					

Available in a range of colours:



KEY FEATURES

Snap together case | Four piece construction | Aesthetic design



PLASTIC ENCLOSURES

380



7580 series Tablet style enclosures

No design charges - No tooling

Simply provide your internal dimensions for a free quotation

Product overview

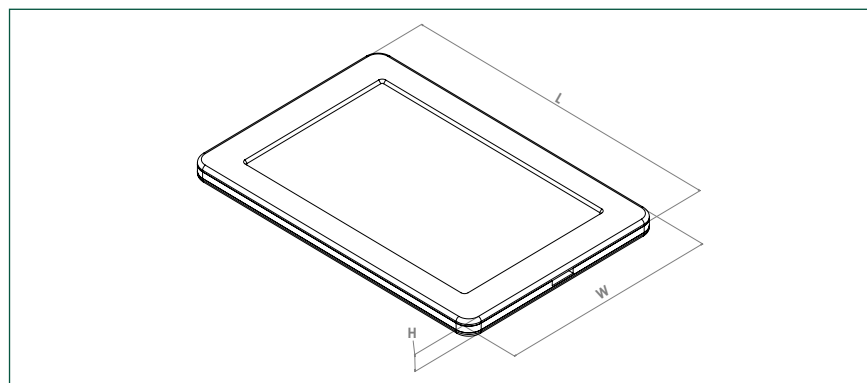
Clip together enclosures manufactured in **custom** sizes to fit your PCB assembly and components.

Features

- Tablet style enclosures ideal for dynamic display industry
- Manufactured to your custom specifications
- Various material colour and specification options
- Manufactured to order on short lead-times

Options

- Manufactured in either HIPS UL94-HB, ABS acrylic capped or listed ABS UL94-V0
- CNC milling (holes, cut-outs, vents, pockets, pillars, windows)
- Digital printing
- Thicker materials



PART NO.	LENGTH (INT)	WIDTH (INT)	HEIGHT (INT)	LENGTH (EXT)	WIDTH (EXT)	HEIGHT (EXT)
7581	138mm	58mm	7mm	158mm	78mm	10mm
7582	180mm	115mm	7mm	200mm	135mm	10mm
7583	221mm	166mm	7mm	241mm	186mm	10mm
Custom size	Please advise dimensions					

Available in a range of colours:



KEY FEATURES

Snap together case | Fit any size LCD | Two piece construction





268
HANDHELD CASES

292
UNIVERSAL
ENCLOSURES

318
HEAVY DUTY
AND ELECTRICAL
ENCLOSURES

342
DESKTOP AND
INSTRUMENT
CASES

348
DEVELOPMENT
BOARD
ENCLOSURES

367
ROOM SENSOR
ENCLOSURES

370
CUSTOM SIZED
ENCLOSURES

PLASTIC ENCLOSURES

382

7590 series Flanged tablet style enclosures

No design charges - No tooling

Simply provide your internal dimensions for a free quotation

Product overview

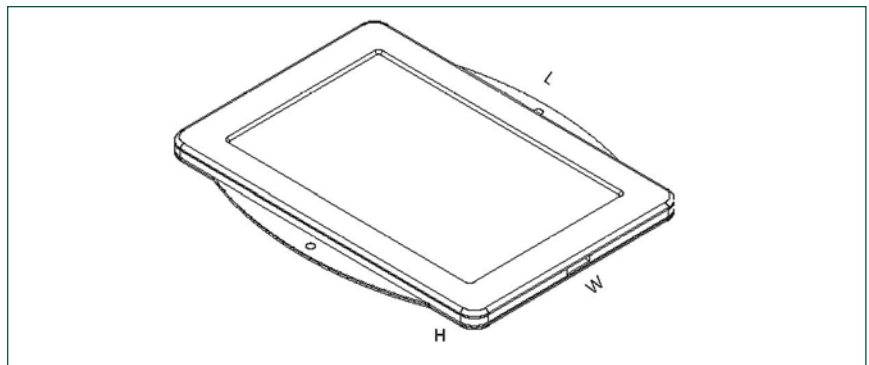
Tablet style enclosures manufactured in **custom** sizes to fit your PCB assembly and components.

Features

- Tablet style enclosures ideal for dynamic display industry
- Flanged back panel
- Manufactured to your custom specifications
- Various material colour and specification options
- Manufactured to order on short lead-times

Options

- Manufactured in either HIPS UL94-HB, ABS acrylic capped or listed ABS UL94-V0
- CNC milling (holes, cut-outs, vents, pockets, pillars, windows)
- Digital printing
- Thicker materials



PART NO.	LENGTH (INT)	WIDTH (INT)	HEIGHT (INT)	LENGTH (EXT)	WIDTH (EXT)	HEIGHT (EXT)
7591	138mm	58mm	7mm	158mm	103.5mm	10mm
7592	180mm	115mm	7mm	200mm	160.5mm	10mm
7593	221mm	166mm	7mm	241mm	211.5mm	10mm
Custom size	Please advise dimensions					

Available in a range of colours:



KEY FEATURES

Flanged back panel | Fit any size LCD | Surface mount tabs



7610 series 45° enclosures

No design charges - No tooling

Simply provide your internal dimensions for a free quotation

Product overview

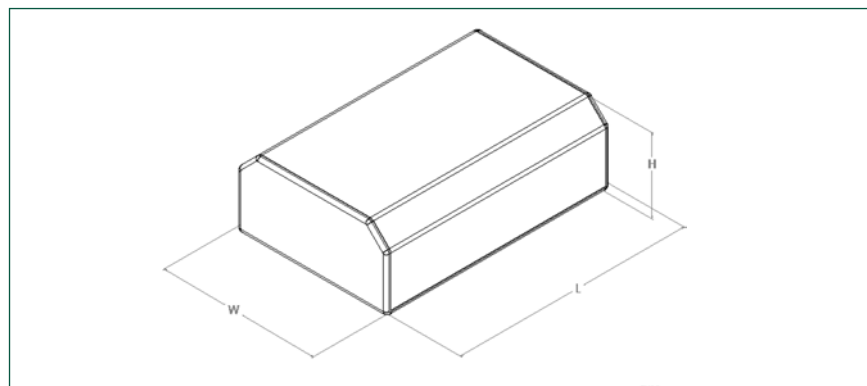
Clip together enclosures with 45° bends for superior aesthetics. Fixing blocks can be added for securing the enclosure.

Features

- Clip together design - **no screws!**
- 45° folds provide a more haptical and aesthetic finish
- Manufactured to your custom specifications
- Various material colour and specification options
- Manufactured to order on short lead-times

Options

- Manufactured in either HIPS UL94-HB, ABS acrylic capped or listed ABS UL94-V0
- CNC milling (holes, cut-outs, vents, pockets, pillars, windows)
- Digital printing



PART NO.	LENGTH (INT)	WIDTH (INT)	HEIGHT (INT)	LENGTH (EXT)	WIDTH (EXT)	HEIGHT (EXT)	WALL THICKNESS	
7611	74mm	44mm	24mm	80mm	50mm	30mm	3mm	
7612	114mm	59mm	21mm	120mm	65mm	27mm	3mm	
7613	147mm	82mm	40mm	153mm	88mm	46mm	3mm	
7614	112mm	234mm	30mm	118mm	240mm	36mm	3mm	
7615	200mm	248mm	47mm	208mm	256mm	55mm	4mm	
Custom size	Please advise dimensions							

Available in a range of colours:



KEY FEATURES

Snap together case | 45° angled lid | Fixing blocks option





268
HANDHELD CASES

292
UNIVERSAL
ENCLOSURES

318
HEAVY DUTY
AND ELECTRICAL
ENCLOSURES

342
DESKTOP AND
INSTRUMENT
CASES

348
DEVELOPMENT
BOARD
ENCLOSURES

367
ROOM SENSOR
ENCLOSURES

370
CUSTOM SIZED
ENCLOSURES

7620 series 45° flanged enclosures

No design charges - No tooling

Simply provide your internal dimensions for a free quotation

Product overview

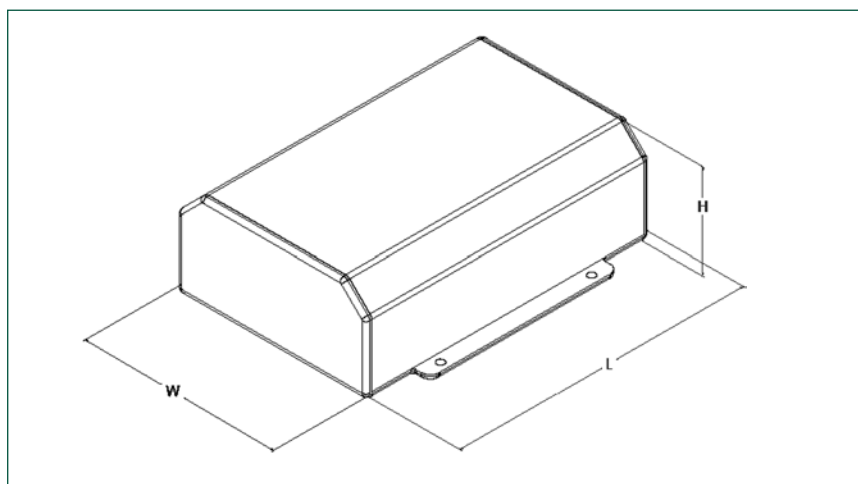
Clip together enclosures with 45° bends for superior aesthetics and side flanges for surface mounting. Fixing blocks can be added for securing the enclosure.

Features

- Clip together flanged design - **no screws!**
- Flanged for surface mounting.
- 45° folds provide a more haptical and aesthetic finish
- Fixing blocks can be added for securing the enclosure
- Manufactured to your custom specifications
- Various material colour and specification options
- Manufactured to order on short lead-times

Options

- Manufactured in either HIPS UL94-HB, ABS acrylic capped or listed ABS UL94-V0
- CNC milling (holes, cut-outs, vents, pockets, pillars, windows)
- Digital printing



PART NO.	LENGTH (INT)	WIDTH (INT)	HEIGHT (INT)	LENGTH (EXT)	WIDTH (EXT)	HEIGHT (EXT)	WALL THICKNESS
7621	64mm	34mm	19mm	70mm	40mm	25mm	3mm
7622	94mm	36mm	34mm	100mm	42mm	40mm	3mm
7623	139mm	139mm	39mm	145mm	145mm	45mm	3mm
7624	124mm	189mm	24mm	130mm	195mm	30mm	3mm
7625	172mm	204mm	52mm	180mm	212mm	60mm	4mm
Custom size	Please advise dimensions						

Available in a range of colours:



KEY FEATURES

Snap together case | 45° angled lid | Surface mount tabs



PLASTIC ENCLOSURES

384

+44 (0)1638 716101 | sales@camdenboss.com | www.camdenboss.com

We operate a constant improvement policy, our products are subject to change without notice.

Vers 1



7630 series Angled front enclosures

No design charges - No tooling

Simply provide your internal dimensions for a free quotation

Product overview

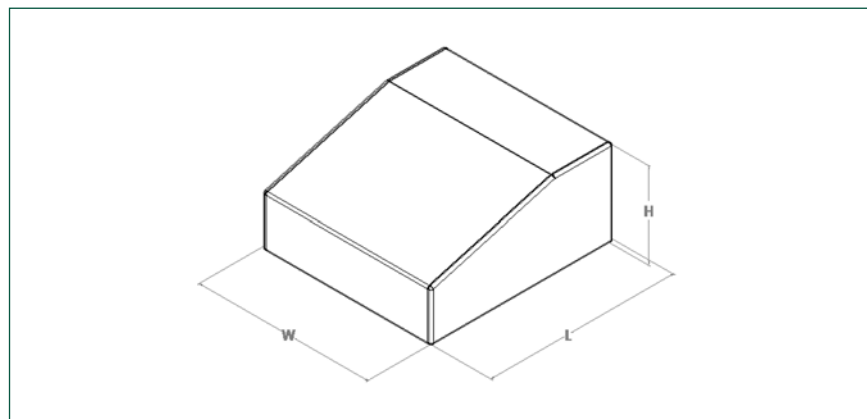
Sloped front enclosure with removable base plate. Perfect for terminal cases and desktop instruments.

Features

- Removable base plate fixed via M3 threaded inserts and screws
- Manufactured to your custom specifications
- Various material colour and specification options
- Manufactured to order on short lead-times

Options

- Manufactured in either HIPS UL94-HB, ABS acrylic capped or listed ABS UL94-V0
- CNC milling (holes, cut-outs, vents, pockets, pillars, windows)
- Digital printing



PART NO.	LENGTH (INT)	WIDTH (INT)	HEIGHT (INT)	LENGTH (EXT)	WIDTH (EXT)	HEIGHT (EXT)
7631	94mm	94mm	24mm	100mm	100mm	30mm
7632	114mm	194mm	44mm	200mm	120mm	50mm
7633	134mm	144mm	64mm	150mm	140mm	70mm
7634	154mm	214mm	74mm	220mm	160mm	80mm
7635	194mm	244mm	94mm	250mm	200mm	100mm
Custom size	Please advise dimensions					

Available in a range of colours:



KEY FEATURES

Two piece construction | Angled lid | Instrument case style





268
HANDHELD CASES

292
UNIVERSAL
ENCLOSURES

318
HEAVY DUTY
AND ELECTRICAL
ENCLOSURES

342
DESKTOP AND
INSTRUMENT
CASES

348
DEVELOPMENT
BOARD
ENCLOSURES

367
ROOM SENSOR
ENCLOSURES

370
CUSTOM SIZED
ENCLOSURES

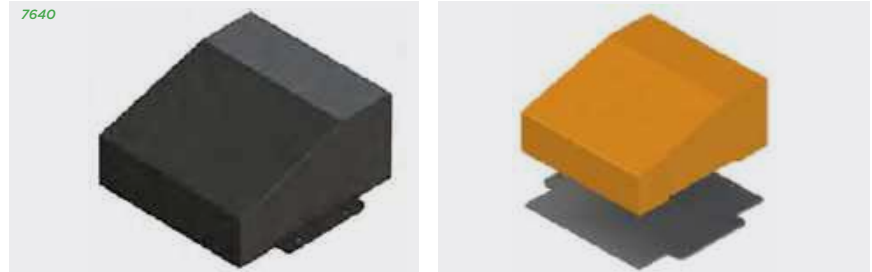
7640 series Flanged angled front enclosures

No design charges - No tooling

Simply provide your internal dimensions for a free quotation

Product overview

Sloped front enclosure with removable, flanged base plate. Perfect for terminal cases and desktop instruments.

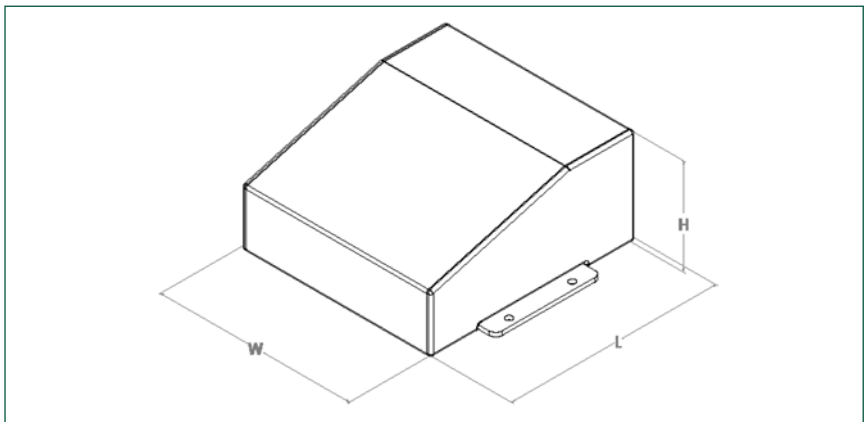


Features

- Removable base plate fixed via M3 threaded inserts and screws
- Manufactured to your custom specifications
- Various material colour and specification options
- Manufactured to order on short lead-times

Options

- Manufactured in either HIPS UL94-HB, ABS acrylic capped or listed ABS UL94-V0
- CNC milling (holes, cut-outs, vents, pockets, pillars, windows)
- Digital printing



PART NO.	LENGTH (INT)	WIDTH (INT)	HEIGHT (INT)	LENGTH (EXT)	WIDTH (EXT)	HEIGHT (EXT)
7641	44mm	114mm	24mm	50mm	120mm	120mm
7642	274mm	94mm	54mm	280mm	100mm	100mm
7643	194mm	144mm	34mm	200mm	150mm	150mm
7644	244mm	174mm	44mm	250mm	180mm	180mm
7645	294mm	214mm	64mm	300mm	220mm	220mm
Custom size	Please advise dimensions					

Available in a range of colours:



KEY FEATURES

Two piece construction | Angled lid | Flanged base



PLASTIC ENCLOSURES

386

+44 (0)1638 716101 | sales@camdenboss.com | www.camdenboss.com

We operate a constant improvement policy, our products are subject to change without notice.

Vers 1



7810 series DIN Rail mount enclosures

No design charges - No tooling

Simply provide your internal dimensions for a free quotation

Product overview

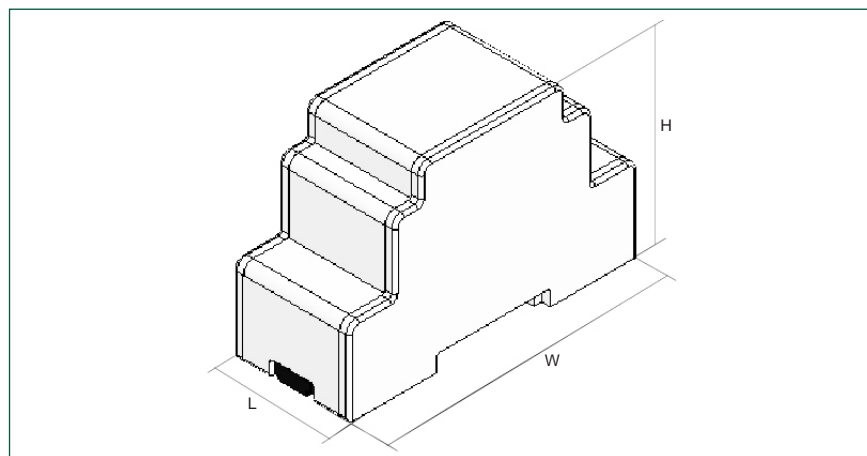
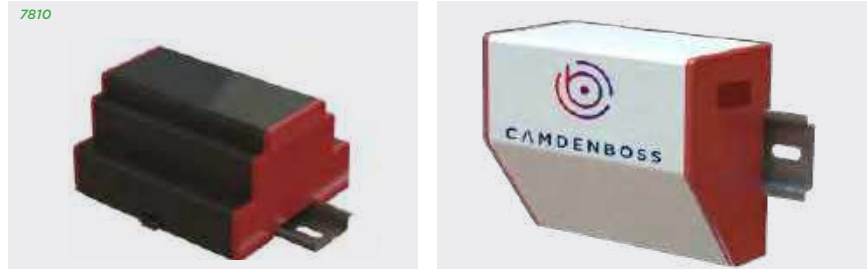
DIN rail mounting enclosures manufactured in **custom** sizes to fit your PCB assembly and components.

Features

- Base plate includes DIN Rail mounting features
- Top cover can be different profiles
- Manufactured to your custom specifications
- Various material colour and specification options
- Manufactured to order on short lead-times

Options

- Manufactured in either HIPS UL94-HB, ABS acrylic capped or listed ABS UL94-V0
- CNC milling (holes, cut-outs, vents, pockets, pillars, windows)
- Digital printing
- Different profiles



PART NO.	LENGTH (INT)	WIDTH (INT)	HEIGHT (INT)	LENGTH (EXT)	WIDTH (EXT)	HEIGHT (EXT)
7811	78mm	30mm	46.9mm	90mm	90mm	58mm
7812	78mm	40mm	46.9mm	90mm	90mm	58mm
7813	78mm	99.2mm	46.9mm	90mm	90mm	58mm
7814	78mm	206mm	46.9mm	90mm	90mm	58mm
Custom size	Please advise dimensions					

Available in a range of colours:



KEY FEATURES

Built in DIN Rail mount feature | Different shapes possible



9400 series Custom potting boxes

No design charges - No tooling

Simply provide your internal dimensions for a free quotation

Product overview

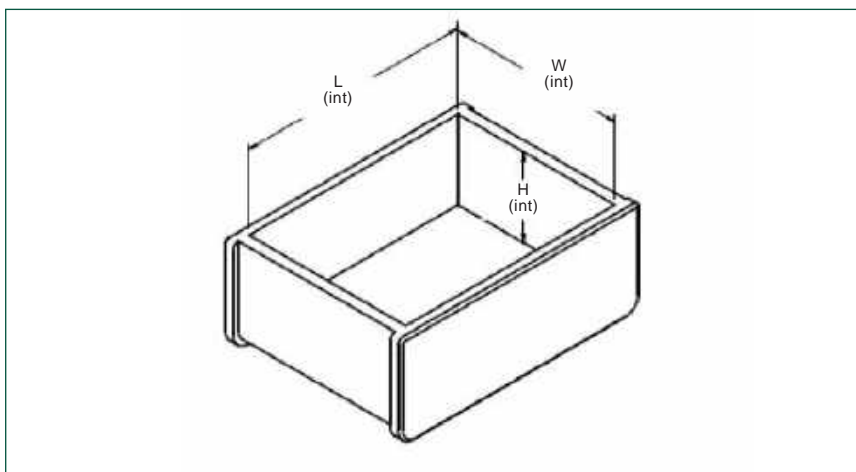
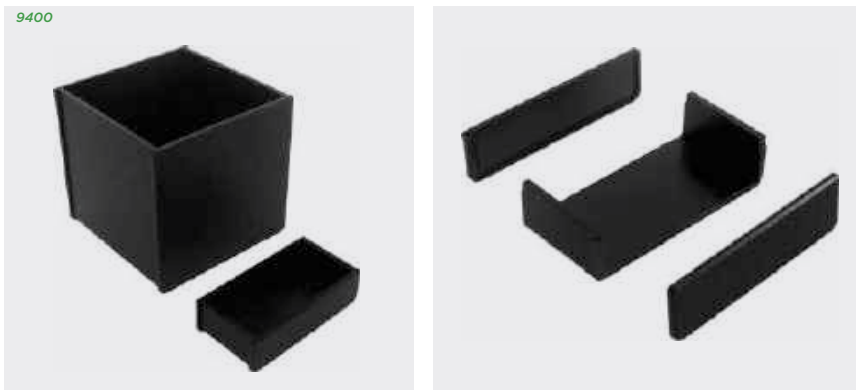
Potting boxes manufactured in **custom** sizes to fit your PCB assembly and components.

Features

- Manufactured from 2mm thick plastic of choice
- With or without flanges
- Snap-fit removable end panels
- Various material colour and specification options
- Manufactured to order on short lead-times

Options

- Manufactured in either HIPS UL94-HB, ABS acrylic capped or listed ABS UL94-V0
- CNC milling (holes, cut-outs, vents, pockets, pillars, windows)
- Digital printing
- Colours in 2mm thick plastic



SPECIFICATION	
Materials	High impact ABS and UL94-V0 HIPS available
Standard colours	Black similar to RAL9004 <i>*Other colours available in 3mm thick plastic only</i>
Standard unit includes	Custom potting box

Available in a range of colours:



KEY FEATURES

Snap fit side/end panels | Flanges available if required | 4mm thick





www.smartboxx.co.uk

SMARTBOXX

Case study

Lightfoot

CamdenBoss have been able to assist bringing the Lightfoot Driver to market by making use of our unique Smartboxx flat sheet plastic technology and smartmould injection moulding manufacturing processes.

We have the ideal resource to allow rapid design, prototyping and manufacturing enabling our customers to quickly get to market with high quality products.

The Lightfoot Driver smartboxx design was designed and prototyped within 2 weeks, without tooling charges. The rapid product launch saw immediate success, and with minimal cost and risk.

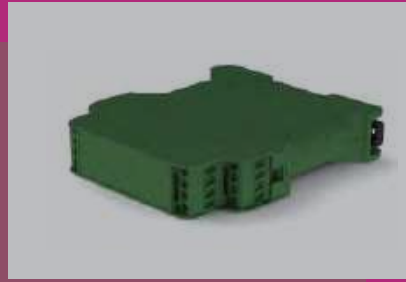
This immediate success enabled the customer to increase production volumes. The original Smartboxx design was adapted for smartmould production without design charges enabling manufacturing runs from very low to very high volumes

See what we can do for you on page 438-445.

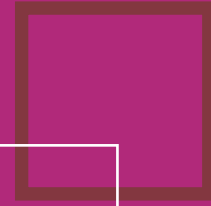
**CALL OUR
SALES TEAM ON
01842 766 557**



DIN Rail enclosures



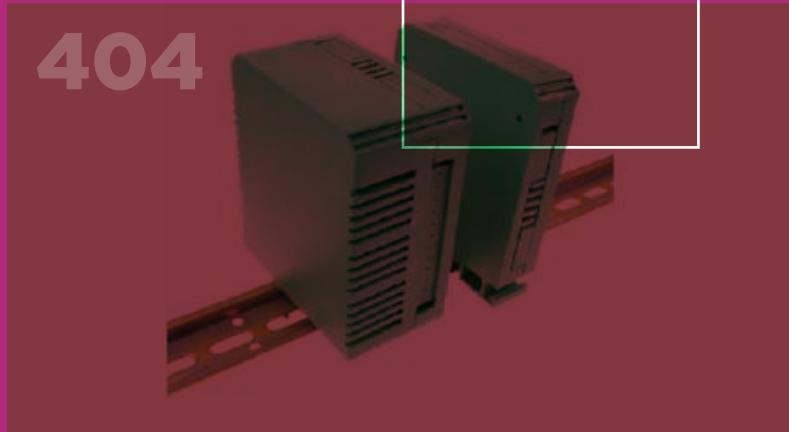
399



393



404



397



394



DIN RAIL ENCLOSURES

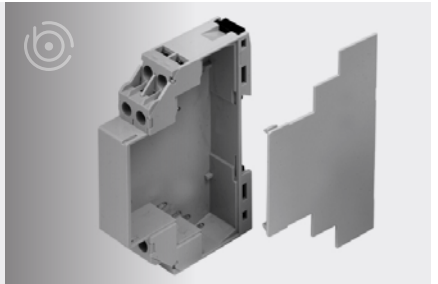
DIN Rail mounted modular enclosures in a variety of sizes and styles, with optional accessories. Also available as kits. Modular and extruded DIN Rail supports for 72 or 107mm printed circuit boards.



DIN Rail modular enclosures **393**



DIN Rail instrument enclosures **397**



Extendable module enclosures **398**



Vertical DIN Rail enclosures: CVB-PLUS1 **399**



Vertical DIN Rail enclosures: CVB-S-PLUS1 **400**



Vertical DIN Rail enclosures: CVB-PLUS2 **401**



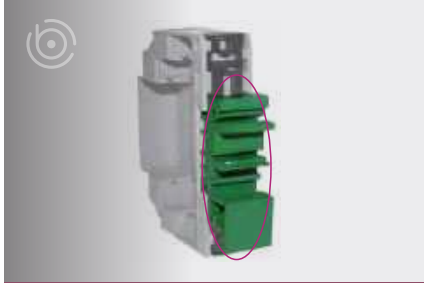
Vertical DIN Rail enclosures: CVB-S-PLUS2 **402**



PCB terminal blocks for CVB-PLUS **403**



Vertical DIN Rail enclosures: CVB **404**

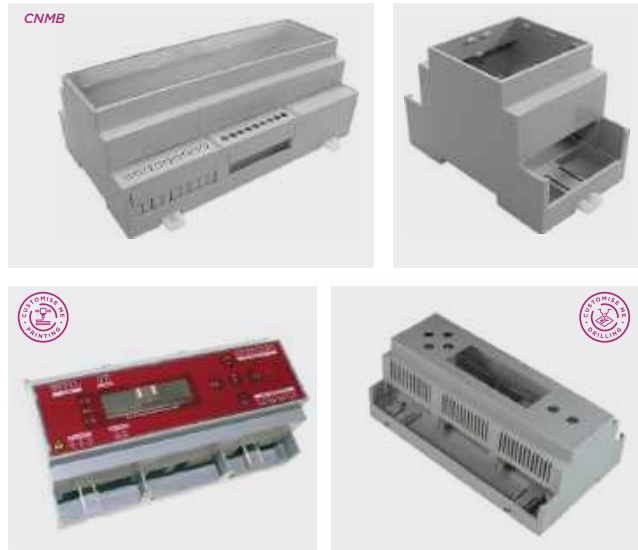


DIN Rail accessories **405**

DIN Rail modular enclosures

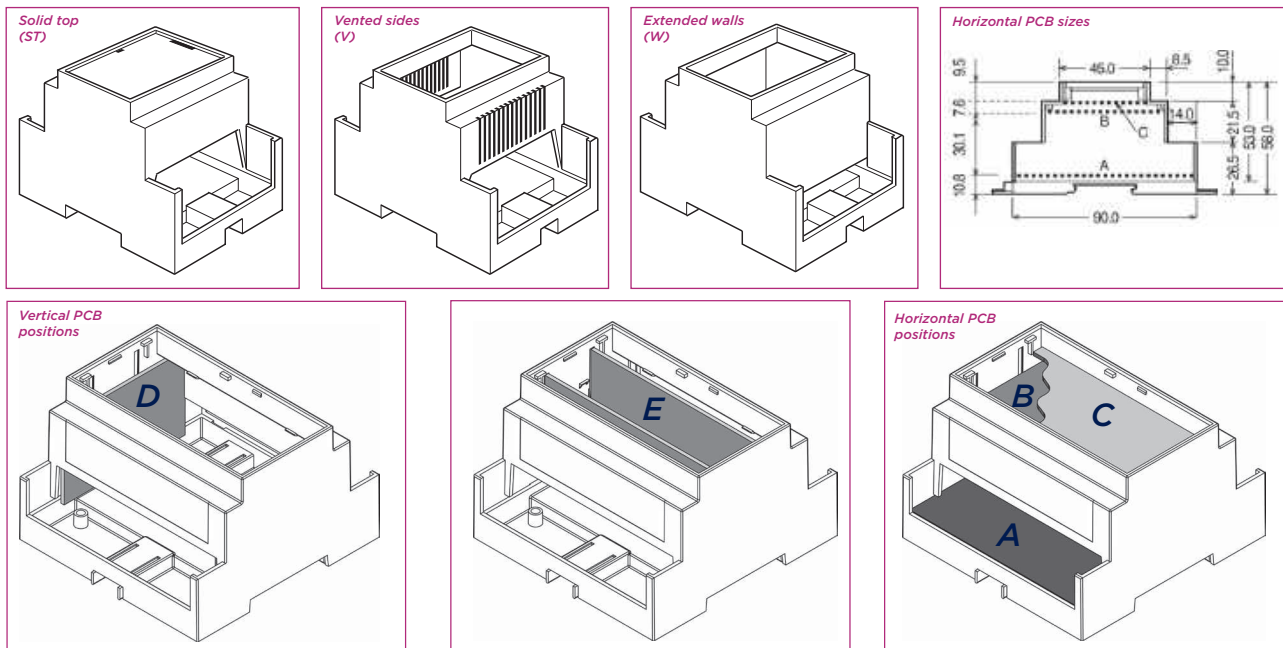
Product overview

- Designed to meet the requirements of DIN 43880
- Snap fit modular design for ease of assembly and custom kitting
- Base fits 35mm (EN60715) DIN Rail or directly to flat surface
- Moulded in light grey UL94-V0 flame retardant polycarbonate
- Carries up to 3 PCBs horizontally or 2 vertically
- Base PCB screw size - No.6 x 1/4" self tapping screw
- Snap fit terminal cover options for IP20 finger protection
- Snap in top covers available in grey, clear, transparent red and smoked
- Standard enclosure consists of base, top and rail/wall clips
- Open top as standard, solid top, vented and extended wall options available
- Covers and terminal guards ordered separately and can be supplied in kits
- Easily customised covers and terminal guards and CNMB base
- Clear, smoked and red covers are moulded in PC UL94-V2
- Grey covers are PC UL94-V0
- Enclosed base offers isolation from DIN Rail
- Front panel (covers) ideal for screen printing and recessed solid top for labels and membranes
- Other colours and EMC shielding available to order

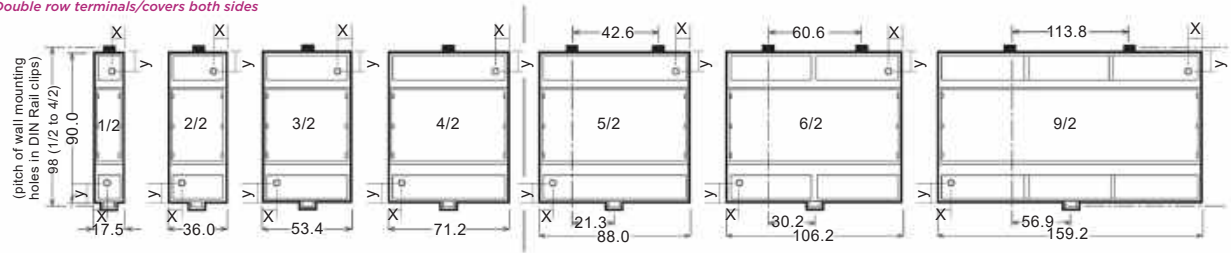


BOX LENGTH		HORIZONTAL PCB SIZES			VERTICAL PCB SIZES	
		A	B	C	D	E
CNMB/1-	17.5mm	86.5x14mm	57x14mm	41.8x14mm	34x59.6mm	40x14.8mm
CNMB/2-	36mm	86.5x33mm	57x32mm	42x32mm	34x59.6mm	40x33mm
CNMB/3-	53.4mm	86.5x50mm	57x49mm	42x49mm	34x59.6mm	40x50mm
CNMB/4-	71.2mm	86.5x68mm	57x67mm	42x67mm	34x59.6mm	40x68mm
CNMB/5-	88mm	86.5x84mm	57x83mm	42x83mm	34x59.6mm	40x84mm
CNMB/6-	106.2mm	86.5x103mm	57x102mm	42x102mm	34x59.6mm	40x103mm
CNMB/9-	159.2mm	86.5x156mm	57x155.5mm	42x155mm	34x59.6mm	40x155mm
CNMB/12-	212.1mm	86.5x208mm	57x207mm	42x207mm	34x59.6mm	40x208mm

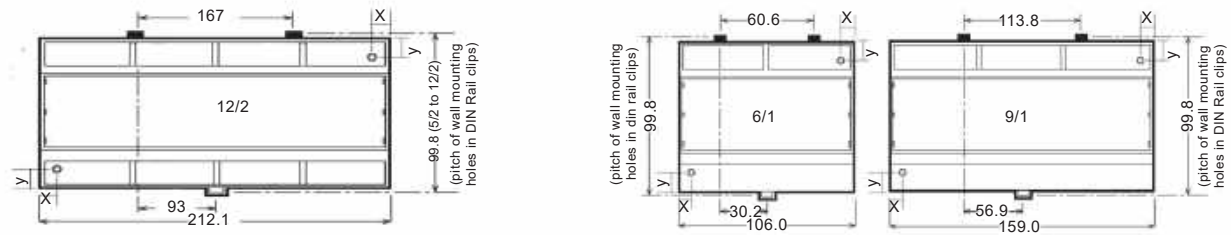
For exposed terminal positions both sides, add /2 to part number (e.g. CNMB/5/2)
 For exposed terminal positions one side only, add /1 to part number (e.g. CNMB/5/1). Please note, this is only available as standard in sizes 5, 6 and 9
 Box supplied with open top as standard
 For solid recessed top used for membrane keypads or clear covers to enclose labels, add ST to part number (e.g. CNMB/3ST/2)
 For cooling vents both sides add V to part number (e.g. CNMB/3V/2)
 For extended side walls which meet the lower PCB behind terminals, add W to part number (e.g. CNMB/3W/2) - terminal guards do not fit extended wall versions
 Combinations of body types are available (e.g. solid top with vented sides). These may be subject to MOQ



Double row terminals/covers both sides



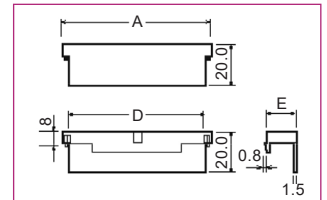
Single row terminals/covers on one side



Solid

PART NO.	STYLE	A	D	E
CNMB/1/TGS	Solid	17.5mm	15.0mm	14.3mm
CNMB/2/TGS	Solid	35.5mm	29.9mm	13.8mm
CNMB/3/TGS	Solid	52.8mm	45.5mm	13.8mm
CNMB/4/TGS	Solid	70.6mm	59.9mm	13.8mm
CNMB/5/TGS	Solid	87.6mm	79.5mm	13.8mm

CNMB/x/TGS

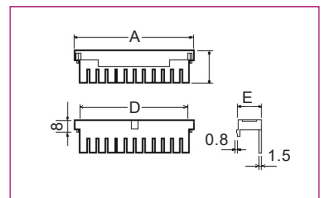


For 6, 9 and 12 size module use CNMB/3TGS

5.08mm pitch perforated

PART NO.	STYLE	A	D	E
CNMB/1/TG508P	Perforated	17.5mm	15.0mm	14.3mm
CNMB/2/TG508P	Perforated	35.5mm	29.9mm	13.8mm
CNMB/3/TG508P	Perforated	52.8mm	45.5mm	13.8mm
CNMB/4/TG508P	Perforated	70.6mm	59.9mm	13.8mm
CNMB/5/TG508P	Perforated	87.6mm	79.5mm	13.8mm

CNMB/x/TG508P

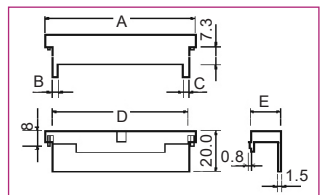


For 6, 9 and 12 size module use CNMB/3/TG508P

5.08mm pitch pre-drilled

PART NO.	STYLE	POLES	A	B	C	D	E
CNMB/1/TG508	Pre-drilled	3	17.5mm	2.3mm	2.3mm	15.0mm	14.3mm
CNMB/2/TG508	Pre-drilled	6	35.5mm	0.9mm	2.7mm	29.9mm	13.8mm
CNMB/3/TG508	Pre-drilled	9	52.8mm	2.3mm	2.3mm	45.5mm	13.8mm
CNMB/4/TG508	Pre-drilled	12	70.6mm	2.7mm	5.8mm	59.9mm	13.8mm
CNMB/5/TG508	Pre-drilled	15	87.6mm	2.7mm	5.8mm	79.5mm	13.8mm

CNMB/x/TG508

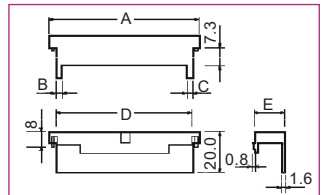


For 6, 9 and 12 size module use CNMB/3/TG508

7.5mm pitch pre-drilled

PART NO.	STYLE	POLES	A	B	C	D	E
CNMB/1/TG750	Pre-drilled	2	17.5mm	2.3mm	2.3mm	15.0mm	14.3mm
CNMB/2/TG750	Pre-drilled	4	35.5mm	0.9mm	2.7mm	29.9mm	13.8mm
CNMB/3/TG750	Pre-drilled	6	52.8mm	2.3mm	2.3mm	45.5mm	13.8mm
CNMB/4/TG750	Pre-drilled	8	70.6mm	2.7mm	5.8mm	59.9mm	13.8mm
CNMB/5/TG750	Pre-drilled	10	87.6mm	2.7mm	5.8mm	79.5mm	13.8mm

CNMB/x/TG750



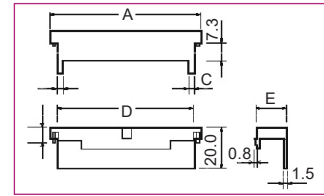
For 6, 9 and 12 size module use CNMB/3/TG750

10.16mm pitch pre-drilled

PART NO.	STYLE	POLES	A	B	C	D	E
CNMB/1/TG100	Pre-drilled	2	17.5mm	1.0mm	1.0mm	15.0mm	14.3mm
CNMB/2/TG100	Pre-drilled	3	35.5mm	0.9mm	0.9mm	29.9mm	13.8mm
CNMB/3/TG100	Pre-drilled	5	52.8mm	1.0mm	1.0mm	45.5mm	13.8mm
CNMB/4/TG100	Pre-drilled	6	70.6mm	2.7mm	2.7mm	59.9mm	13.8mm
CNMB/5/TG100	Pre-drilled	7	87.6mm	2.7mm	5.8mm	79.5mm	13.8mm

For 6, 9 and 12 size module use CNMB/3/TG100

CNMB/x/TG100

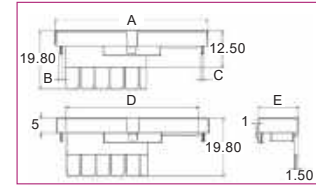


RJ45 5.08mm pitch perforated

PART NO.	STYLE	POLES	A	B	C	D	E
CNMB/3/TGRJ45	Perforated	5	52.8mm	1.0mm	1.0mm	45.5mm	13.8mm

Can be used on sizes 3, 6, 9 and 12

CNMB/x/TGRJ45

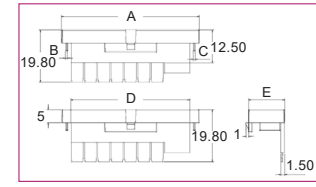


MINI USB 5.08mm pitch perforated

PART NO.	STYLE	POLES	A	B	C	D	E
CNMB/3/TGMINIUSB	Perforated	7	52.8mm	1.0mm	1.0mm	45.5mm	13.8mm

Can be used on sizes 3, 6, 9 and 12

CNMB/x/TGMINIUSB

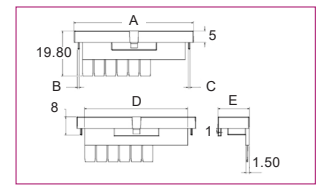


USB 5.08 pitch perforated

PART NO.	STYLE	POLES	A	B	C	D	E
CNMB/3/TGUSB	Perforated	6	52.8mm	1.0mm	1.0mm	45.5mm	13.8mm

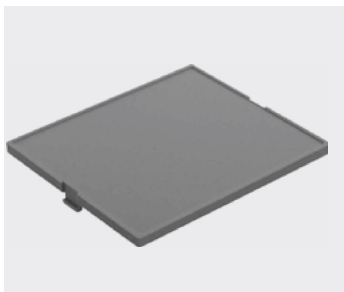
Can be used on sizes 3, 6, 9 and 12

CNMB/x/TGUSB



COVERS

Standard covers



RED TRANSPARENT	SMOKED TRANSPARENT	CLEAR TRANSPARENT	GREY	SIZE
CNMB/1/PR	CNMB/1/PS	CNMB/1/PC	CNMB/1/PG	1
CNMB/2/PR	CNMB/2/PS	CNMB/2/PC	CNMB/2/PG	2
CNMB/3/PR	CNMB/3/PS	CNMB/3/PC	CNMB/3/PG	3
CNMB/4/PR	CNMB/4/PS	CNMB/4/PC	CNMB/4/PG	4
CNMB/5/PR	CNMB/5/PS	CNMB/5/PC	CNMB/5/PG	5
CNMB/6/PR	CNMB/6/PS	CNMB/6/PC	CNMB/6/PG	6
CNMB/9/PR	CNMB/9/PS	CNMB/9/PC	CNMB/9/PG	9
-	-	CNMB/12/PC	CNMB/12/PG	12

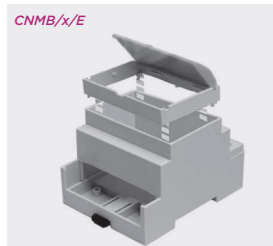
Curved covers



RED TRANSPARENT	SMOKED TRANSPARENT	CLEAR TRANSPARENT	GREY	SIZE
CNMB/2/PRC	CNMB/2/PSC	CNMB/2/PCC	CNMB/2/PGC	2
CNMB/3/PRC	CNMB/3/PSC	CNMB/3/PCC	CNMB/3/PGC	3
CNMB/4/PRC	CNMB/4/PSC	CNMB/4/PCC	CNMB/4/PGC	4
CNMB/5/PRC	CNMB/5/PSC	CNMB/5/PCC	CNMB/5/PGC	5
CNMB/6/PRC	CNMB/6/PSC	CNMB/6/PCC	CNMB/6/PGC	6
CNMB/9/PRC	CNMB/9/PSC	CNMB/9/PCC	CNMB/9/PGC	9

EXTENDED HEIGHT MODULES

- 16mm high
- Accepts curved hinged cover only
- Adds an additional horizontal PCB slot
- Does not fit on solid top CNMB's



PART NO.	WIDTH	SIZE
CNMB/2/E	34.7mm	2
CNMB/3/E	52.0mm	3
CNMB/4/E	70.0mm	4
CNMB/5/E	86.5mm	5
CNMB/6/E	104.5mm	6
CNMB/9/E	157.7mm	9

Curved hinged covers



RED TRANSPARENT	CLEAR TRANSPARENT	GREY	SIZE
CNMB/2/HPRC	CNMB/2/HPCC	CNMB/2/HPGC	2
CNMB/3/HPRC	CNMB/3/HPCC	CNMB/3/HPGC	3
CNMB/4/HPRC	CNMB/4/HPCC	CNMB/4/HPGC	4
CNMB/5/HPRC	CNMB/5/HPCC	CNMB/5/HPGC	5
CNMB/6/HPRC	CNMB/6/HPCC	CNMB/6/HPGC	6
CNMB/9/HPRC	CNMB/9/HPCC	CNMB/9/HPGC	9

For use with extended height module only

ENCLOSURE KITS



- Each kit contains one grey panel cover and a selection of solid and perforated terminal guards
- Kits of the most frequently used components are available to order

** For size 6, 9 and 12, multiple 'size 3' terminal guards are supplied. For example size 6 requires 2x 'size 3' guards per side.*

Kits are also available for vented, solid top and extended wall bodies e.g. CNMB/2ST/KIT.

Extended wall kits do not come with terminal guards

	COMPONENT	COVER	TERMINAL GUARDS		EXTENSION MODULE
KIT	KIT PART NO.	/PG	/TG508P	/TGS	/E
STANDARD	CNMB/1/KIT	1	2	1	-
	CNMB/2/KIT	1	2	1	-
	CNMB/3/KIT	1	2	1	-
	CNMB/4/KIT	1	2	1	-
	CNMB/5/KIT	1	2	1	-
	CNMB/6/KIT	1	4*	2*	-
	CNMB/9/KIT	1	6*	3*	-
	CNMB/12/KIT	1	8*	4*	-

	COMPONENT	COVER	TERMINAL GUARDS		EXTENSION MODULE
KIT	KIT PART NO.	/HPCC	/TG508P	/TGS	/E
EXTENDED HEIGHT	CNMB/2E/KIT	1	2	1	1
	CNMB/3E/KIT	1	2	1	1
	CNMB/4E/KIT	1	2	1	1
	CNMB/5E/KIT	1	2	1	1
	CNMB/6E/KIT	1	4*	2*	1
	CNMB/9E/KIT	1	6*	3*	1

CNMB TERMINAL BLOCK SELECTION CHART

PITCH	TERMINAL BLOCK PART NUMBER	CNMB/1	CNMB/2	CNMB/3	CNMB/4	CNMB/5	CNMB/6*	CNMB/9*	CNMB/12*
		NUMBER OF POLES							
3.5MM	CTBP3051 PCB terminal Wire protector	4	8	12	16	20	12	12	12
	CTBP0305 PCB terminal Rising clamp	4	8	12	16	20	12	12	12
	CTBP92VD/R Pluggable terminal female Rising clamp	4	8	12	16	20	12	12	12
	CTBP93VD Pluggable terminal male	4	8	12	16	20	12	12	12
3.81MM	CTBP0308 PCB terminal Rising clamp	4	8	12	16	20	12	12	12
	CTBP92VE/R Pluggable terminal Rising clamp	4	8	12	16	20	12	12	12
	CTBP93VE Pluggable terminal male	4	8	12	16	20	12	12	12
5MM	CTBP5000 PCB terminal Wire protector	3	6	9	12	15	9	9	9
	CTBP0500 PCB terminal Rising clamp	3	6	9	12	15	9	9	9
	CTBP1000 PCB terminal Wire protector	3	6	9	12	15	9	9	9
	CTBP0100 PCB terminal Rising clamp	3	6	9	12	15	9	9	9
	CTB7000 PCB terminal Rising clamp	3	6	9	12	15	9	9	9
	CTBP92VG/R Pluggable terminal female Rising clamp	3	6	9	12	15	9	9	9
	CTBP9300 Pluggable terminal male	3	6	9	12	15	9	9	9
5.08MM	CTBP0108 PCB terminal Rising clamp	3	6	9	12	15	9	9	9
	CTBP0508 PCB terminal Rising clamp	3	6	9	12	15	9	9	9
	CTBP0708 PCB terminal Rising clamp	3	6	9	12	15	9	9	9
	CTBP92VJ/R Pluggable terminal female Rising clamp	3	6	9	12	15	9	9	9
	CTBP9308 Pluggable terminal male	3	6	9	12	15	9	9	9
7.5MM	CTBP55VK PCB terminal Wire protector	2	4	6	8	10	6	6	6
	CTBP07VK PCB terminal Rising clamp	2	4	6	8	10	6	6	6
	CTBP0110 PCB terminal Rising clamp	2	4	6	8	10	6	6	6
9.5MM	CTBP04VZ PCB terminal Rising clamp	0	3	5	6	8	5	5	5
10.16MM	CTB0609 PCB terminal Rising clamp	0	3	5	7	9	5	5	5

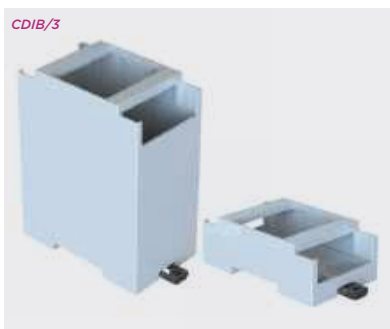
Please note: size /6, /9 & /12 have the same sized terminal space as a size /3 housing and therefore use the same sized terminal blocks



High and low profile DIN Rail enclosures

Product overview

- Designed for 35mm DIN Rail mounting
- DIN clips can also be used for surface mounting the housing
- Multiple snap-in PCB positions available (horizontal and vertical)
- x2 pillars in the base for screw fixing PCB
- Snap-fit top covers and terminal guards
- Open top and solid top versions available
- Low and high profile variants
- Enclosure base gives isolation from DIN Rail
- Customisation options include cutouts, holes and vents
- Surfaces, covers, terminal guards easily customised and printed
- Moulded in UL94-V0 polycarbonate



SPECIFICATION

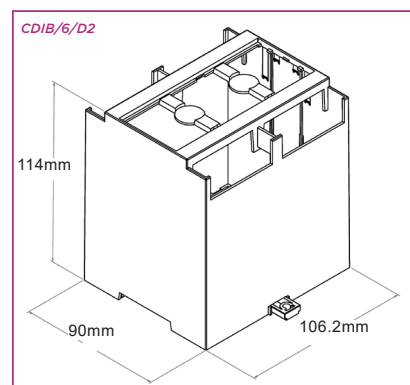
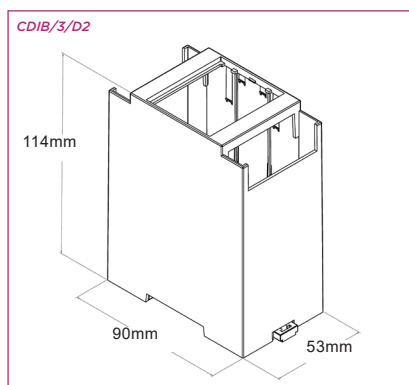
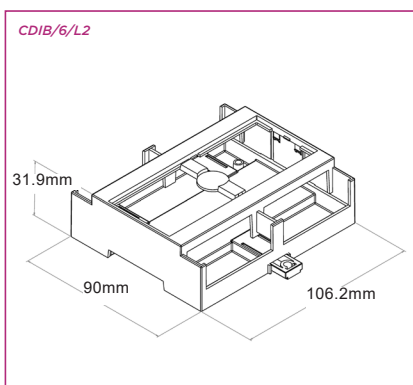
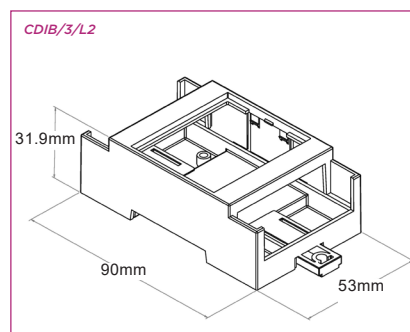
Material	Base and body - UL94-V0, polycarbonate clips - POM
Standard colours	RAL 7035
Standard unit includes	Body, base and clips
Accessories	Terminal guards and covers (see CNMB)
PCB screw size	No.6 x 1/4" self tapping screw

PART NO.	DESCRIPTION	LENGTH	WIDTH	HEIGHT
CDIB/3/L2	CDIB, size 3, low profile, open top, open sides	90mm	53mm	31.9mm
CDIB/3/D2	CDIB, size 3, high profile, open top, open sides	90mm	53mm	114mm
CDIB/3ST/L2	CDIB, size 3, low profile, solid top, open sides	90mm	53mm	31.9mm
CDIB/3ST/D2	CDIB, size 3, high profile, solid top, open sides	90mm	53mm	114mm
CDIB/6/L2	CDIB, size 6, low profile, open top, open sides	90mm	106.2mm	31.9mm
CDIB/6/D2	CDIB, size 6, high profile, open top, open sides	90mm	106.2mm	114mm
CDIB/6ST/L2	CDIB, size 6, low profile, solid top, open sides	90mm	106.2mm	31.9mm
CDIB/6ST/D2	CDIB, size 6, high profile, solid top, open sides	90mm	106.2mm	114mm

KITS

- Each kit contains one grey panel cover and a selection of solid and perforated terminal guards

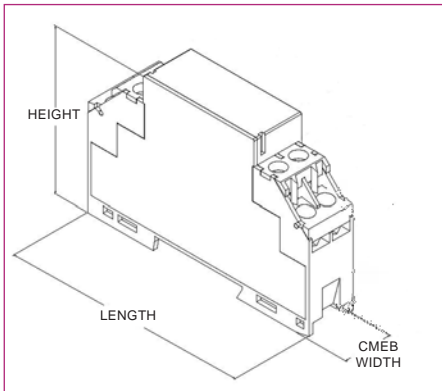
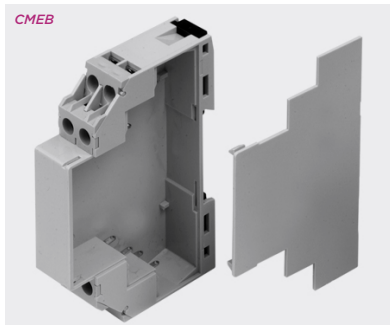
COMPONENT	PROFILE	BASE	COVER	TERMINAL GUARDS	
KIT PART NO.			/PG	/TG508P	/TGS
CDIB/3/L2/KIT	Low	1	1	2	1
CDIB/3/D2/KIT	High	1	1	2	1
CDIB/3ST/L2/KIT	Low	1	0	2	1
CDIB/3ST/D2/KIT	High	1	0	2	1
CDIB/6/L2/KIT	Low	1	1	4	2
CDIB/6/D2/KIT	High	1	1	4	2
CDIB/6ST/L2/KIT	Low	1	0	4	2
CDIB/6ST/D2/KIT	High	1	0	4	2



Extendable module enclosures

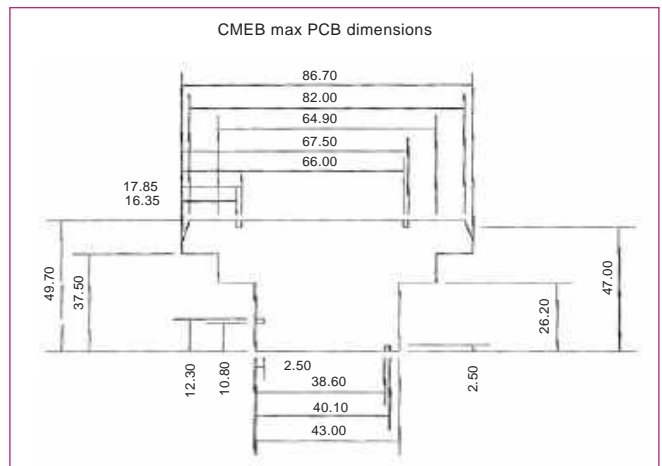
Product overview

- 17.5mm width module enclosure, extendable enclosure has a detachable end plate
- Each module, has 8 removable screw terminals
- Top hat 35mm DIN Rail or surface mounting
- Moulded in flame retardant UL94-V0



SPECIFICATION	
Rating terminals	8A/250VAC
Cable entry	2x2.5mm ² solid or standard
Terminal protection	IP20

PART NO.	LENGTH	WIDTH	HEIGHT	DESCRIPTION
CMEB	90mm	17.5mm	59mm	17.5mm module box



KEY FEATURES

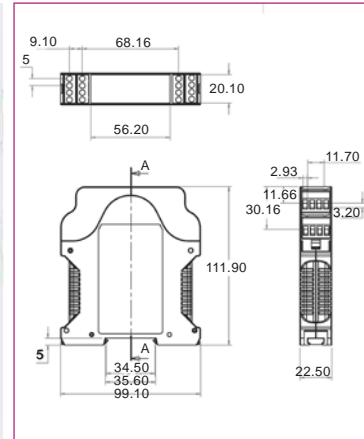
UL94-V0 | 17.5mm width module | Removable screw terminals



Vertical DIN Rail enclosures: CVB-PLUS1

Product overview

- 22.5mm wide vertical DIN Rail mount housing
- Clip together design for fast assembly
- Supplied with four 4-pole 5mm pitch pluggable terminal blocks
- 16 positions
- Moulded in UL94-V0, PA66
- Front and side label recesses
- Solid and vented versions available
- Top hat 35mm DIN Rail or surface mounting



SPECIFICATION	
Rating terminals	15A 300V
Contact resistance	20mΩ
Insulation resistance	500mΩ/DC500V
Withstand voltage	AC2000V/1min
Materials	Pin head Brass, tin plated Housing PA66, UL94-V0
Terminal block	See page 403 for terminal block specification

PART NO.	DESCRIPTION	LENGTH	WIDTH	HEIGHT
CVB-PLUS1	Solid sides	112mm	22.5mm	99mm
CVB-PLUS1V	Vented sides	112mm	22.5mm	99mm

KEY FEATURES

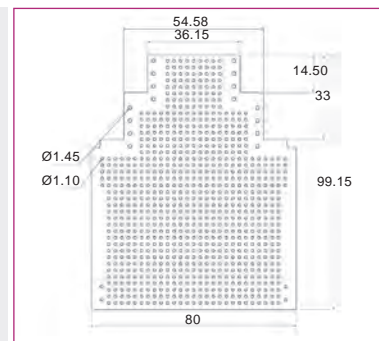
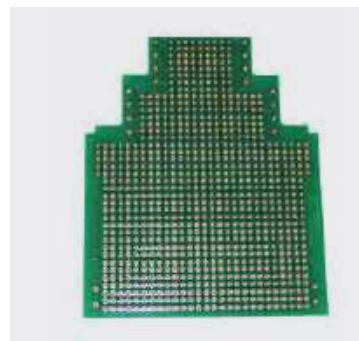
Clip together | 16 positions | 22.5mm width module



ACCESSORIES

CVB-plus pcb

- Material: 2-layer FR4
- X826 1.3mm diameter holes
- X16 1.5mm diameter holes (reserved for terminal blocks)



PART NO.	DESCRIPTION	LENGTH	WIDTH	HEIGHT
CVB-PLUS-PCB	PCB	80mm	99.2mm	1.6mm

CVB-plus metal earth clip

- Replaces one of the black DIN clips to offer earthing from PCB to DIN Rail.

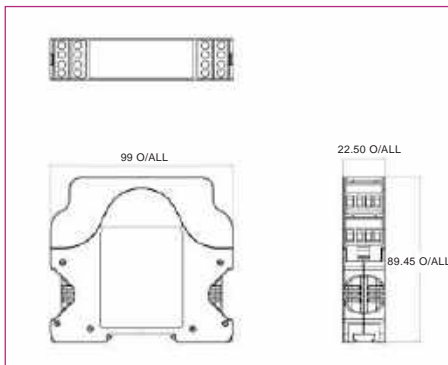


PART NO.	DESCRIPTION
CVB-PLUS-MC	Metal earth clip

Vertical DIN Rail enclosures: CVB-S-PLUS1

Product overview

- 22.5mm wide vertical DIN Rail mount housing
- Clip together design for fast assembly
- Supplied with four 4-pole 5mm pitch pluggable block set (see page 403)
- 16 positions
- Moulded in UL94-V0, PA66
- Front and side label recesses
- Solid and vented versions available
- Top hat 35mm DIN Rail or surface mounting
- Low profile version



SPECIFICATION	
Rating terminals	15A 300V
Contact resistance	20mΩ
Insulation resistance	500mΩ/DC500V
Withstand voltage	AC2000V/1min
Materials	Pin header Housing
	Brass, tin plated PA66, UL94-V0
Terminal block	See page 403 for terminal block specification

SPECIFICATION	DESCRIPTION	LENGTH	WIDTH	HEIGHT
CVB-S-PLUS1	Solid sides	89.45mm	99mm	22.5mm
CVB-S-PLUSIV	Vented sides	89.45mm	99mm	22.5mm

KEY FEATURES

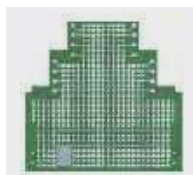
Clip together design | 16 positions | Low profile



ACCESSORIES

CVB-S-PLUS-PCB

- Material 2-layer FR4



PART NO.	LENGTH	WIDTH	HEIGHT
CVB-S-PLUS-PCB	76.29mm	80mm	1.6mm

CVB-S-PLUS metal earth clip

- Replaces one of the black DIN clips to offer earthing from PCB to DIN Rail.

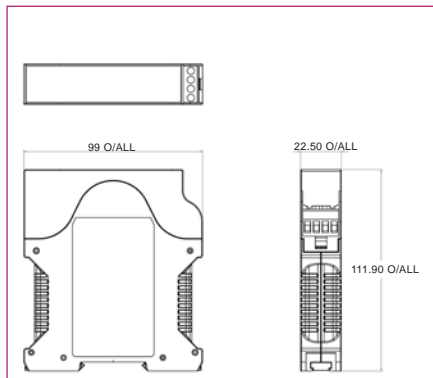
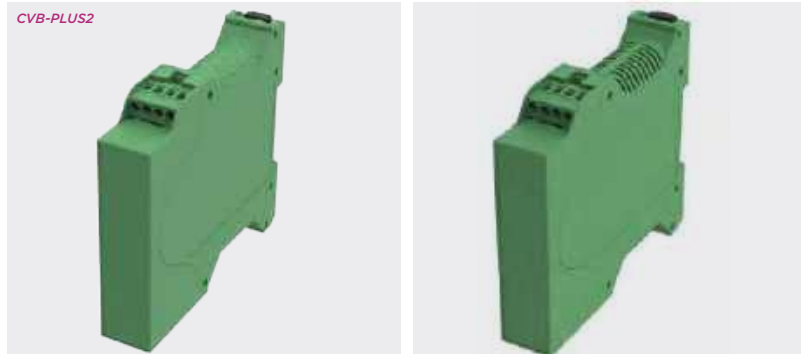


PART NO.	DESCRIPTION
CVB-PLUS-MC	Metal earth clip

Vertical DIN Rail enclosures: CVB-PLUS2

Product overview

- 22.5mm wide vertical DIN Rail mount housing
- Clip together design for fast assembly
- Supplied with one 4-pole 5mm pitch pluggable terminal block set offering four positions (see page 403)
- Moulded in UL94-V0, PA66
- Front and side label recesses
- Solid and vented versions available
- Top hat 35mm DIN Rail or surface mounting
- Open on one side



SPECIFICATION	
Rating terminals	15A 300V
Contact resistance	20mΩ
Insulation resistance	500mΩ/DC500V
Withstand voltage	AC2000V/1min
Materials	Pin header: Brass, tin plated Housing: PA66, UL94-V0
Terminal block	See page 403 for terminal block specification

PART NO.	DESCRIPTION	LENGTH	WIDTH	HEIGHT
CVB-PLUS2	Solid sides	112mm	99mm	22.5mm
CVB-PLUS2V	Vented sides	112mm	99mm	22.5mm

KEY FEATURES

UL94-V0 | Front and side label recesses | Open on one side



ACCESSORIES

CVB-S-PLUS metal earth clip

- Replaces one of the black DIN clips to offer earthing from PCB to DIN Rail.

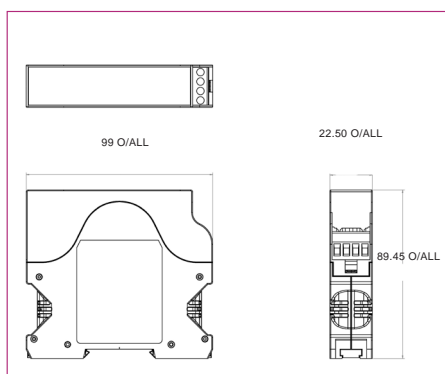


PART NO.	DESCRIPTION
CVB-PLUS-MC	Metal earth clip

Vertical DIN Rail enclosures: CVB-S-PLUS2

Product overview

- 22.5mm wide vertical DIN Rail mount housing
- Clip together design for fast assembly
- Supplied with one 4-pole 5mm pitch pluggable terminal block offering four positions (see page 403)
- Moulded in UL94-V0, PA66
- Front and side label recesses
- Solid and vented versions available
- Top hat 35mm DIN Rail or surface mounting
- Low profile version
- Open on one side



SPECIFICATION	
Rating terminals	15A 300V
Contact resistance	20mΩ
Insulation resistance	500mΩ/DC500V
Withstand voltage	AC2000V/1min
Materials	Pin header: Brass, tin plated Housing: PA66, UL94-V0
Terminal block	See page 403 for terminal block specification

PART NO.	DESCRIPTION	LENGTH	WIDTH	HEIGHT
CVB-S-PLUS2	Solid sides	89.45mm	99mm	22.5mm
CVB-S-PLUS2V	Vented sides	89.45mm	99mm	22.5mm

ACCESSORIES

CVB-S-PLUS metal earth clip

- Replaces one of the black DIN clips to offer earthing from PCB to DIN Rail.



PART NO.	DESCRIPTION
CVB-PLUS-MC	Metal earth clip

KEY FEATURES

Clip together design | Low profile version | Open one side

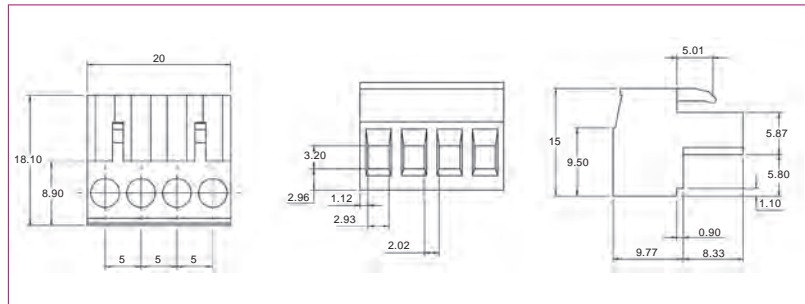


Vertical DIN Rail enclosures: Terminal blocks (included with CVB-Plus as standard)

PART NO.	DESCRIPTION
CVBP9200	Female terminal block
CVBP935L	Male left side terminal block
CVBP935R	Male right side terminal block

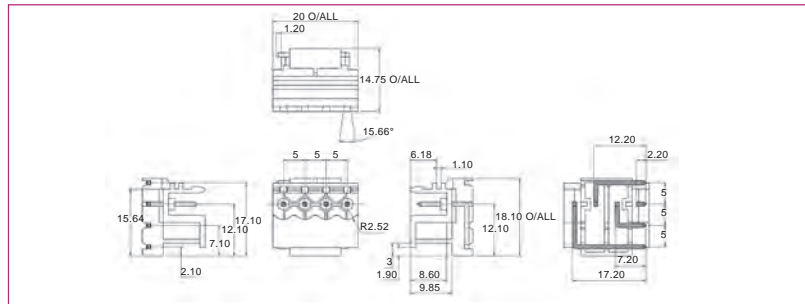
SPECIFICATION	
Rating terminals	15A 300V
Contact resistance	20mΩ
Insulation resistance	500mΩ/DC500V
Withstand voltage	AC2000V/1min
Materials	Pin header: Brass, tin plated Housing: PA66, UL94-V0
Wire range	1.5mm ² (28-14AWG) solid and stranded cable
Approvals	UL and VDE

CVBP9200

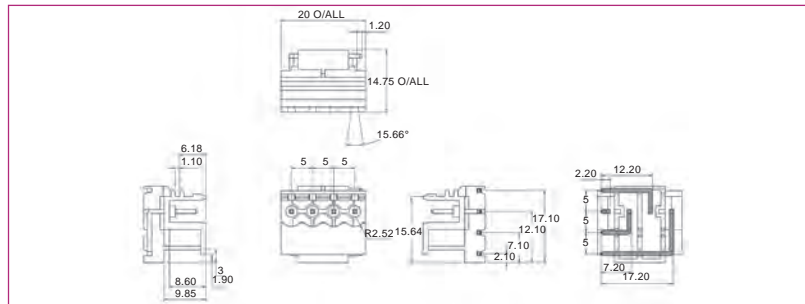


For exact product information see page.62

CVBP935L



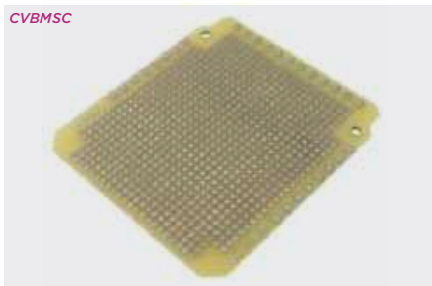
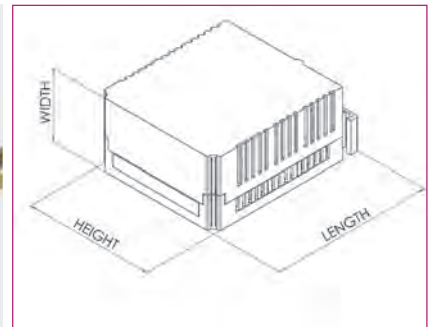
CVBP935R



Vertical DIN Rail enclosures: CVB

Product overview

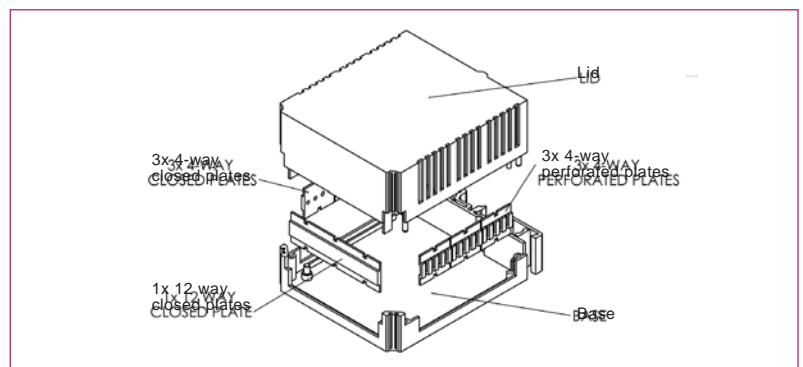
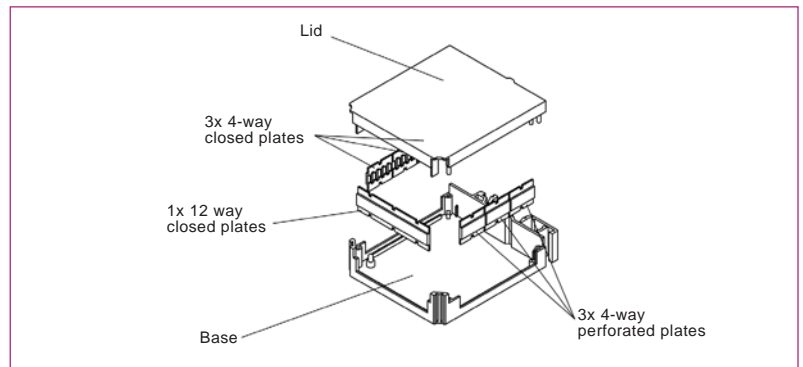
- Designed for 5mm pitch terminal blocks
- Two sizes, 22.5mm or 45mm wide
- Solid and perforated plates to cover unused terminal areas
- Three sides accept 12-way terminal blocks each side
- Complete box contains one 12-way closed, three 4-way closed and three 4-way perforated plates



PART NO.	DESCRIPTION
CVBMSC	Prototyping board

SPECIFICATION	
Rating terminals	8A/250VAC
Cable entry	2x2.5mm ² solid or standard
Terminal protection	IP20
Material	PA66 UL94-V0

PART NO.	DESCRIPTION	SIZE
CVB225/KIT	Complete plastic box	22.5x82x101.75mm
CVB450/KIT	Complete plastic box	45x82x101.75mm
CVBPF4	4 way perforated	CVB vent plate
CVBPP4	4 way closed plate	CVB blind plate
CVBPP12	12 way closed plate	CVB blind plate long



KEY FEATURES

PA66 UL94-V0 | Designed for 5mm pitch terminal blocks



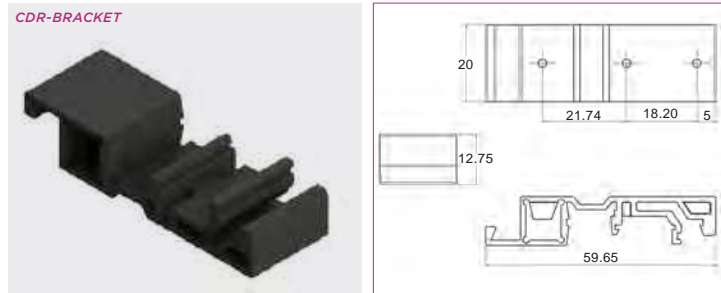


DIN Rail accessories

Din Rail mount bracket

DIN Rail mount bracket enables enclosures to be DIN Rail mounted.

- Screws included allow the DIN Rail mount bracket to be fastened to the enclosures surface
- Two clearance holes will need to be drilled into the enclosure
- The DIN Rail mount bracket is designed for standard top hat 35mm DIN Rail, mini top hat 15mm rail and G section 32mm rail
- For wide enclosures it is recommended to use 2x brackets



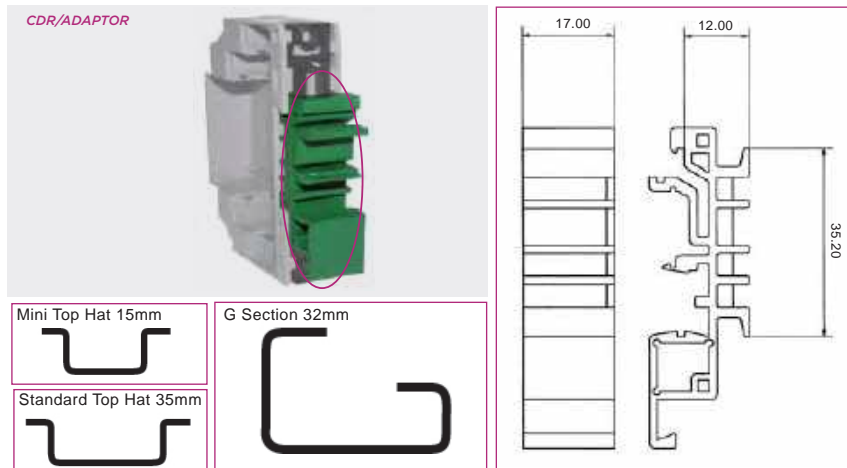
SPECIFICATION

Material	UL94-V0, PA66
Operating temperature	-20°C to +85°C
Colour	Black RAL 9005
Standard unit includes	1x DIN Rail mount bracket, 2x screws

Din Rail adaptor

A one piece adaptor to adapt relay bases and enclosures to G-Rail and mini DIN Rails.

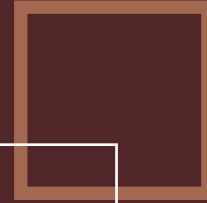
- Snap-fit DIN Rail mounting fixtures
- Moulded in flame retardant UL94-V0
- Symmetrical (35mm)
- Asymmetrical (G-rail)
- Mini symmetrical (15mm)



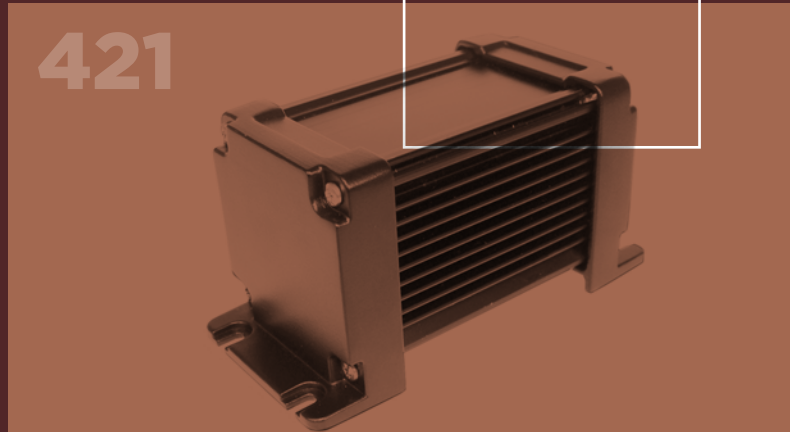
Metal enclosures



411



417



421



418

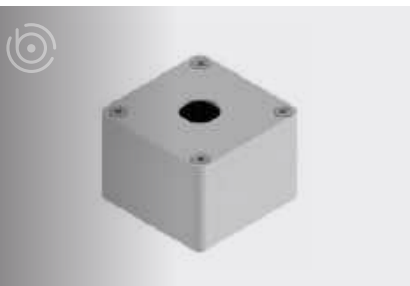













415



METAL ENCLOSURES

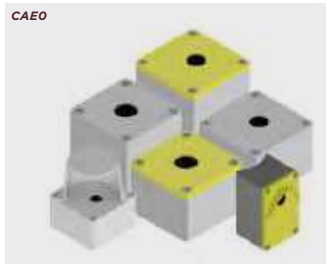
Highly durable robust aluminium boxes, available in a range of sizes and colours.

		
Die-cast aluminium electrical enclosures 409	96 series diecast aluminium box 410	97 series high-end design aluminium box 411
		
55 series dura boxes 412	5000 series multi-purpose diecast 413	5100 series project diecast 415
		
5500 series heavy duty diecast 416	Metal consoles 417	85 series round aluminium cases 418
		
86 series aluminium audio cases 419	88 series IP67 heatsink cases 420	95 series heatsink aluminium enclosures 422

Die-cast aluminium electrical enclosures

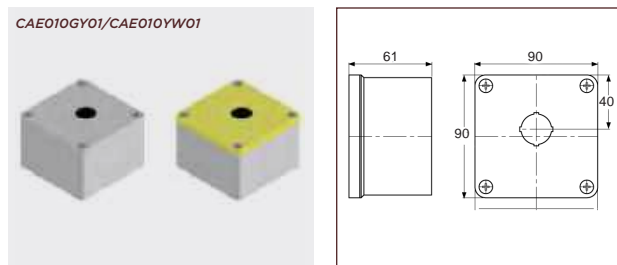
Product overview

- IP65 die-cast aluminium suitable for control switches and equipment
- Grey and yellow lid colour options
- For 22mm control switches and indicators (available without to order)

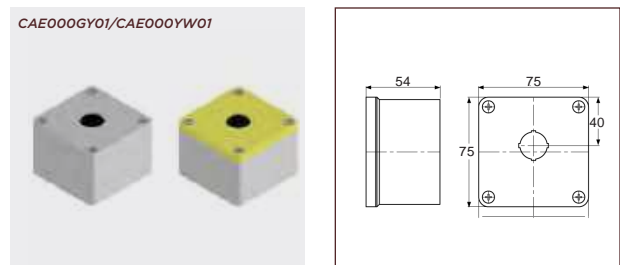


SPECIFICATION	
Standards	IEC 60947-5-1 / EN 60947-5-1
Operating temperature	-25°C to +70°C
Storage temperature	-40°C to + 80°C
Ingress protection	IP65
Material	Aluminium alloy

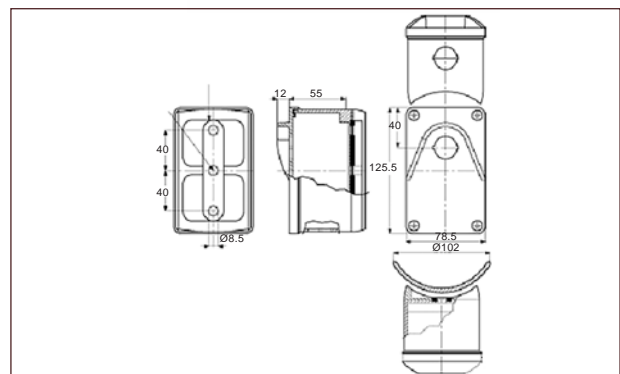
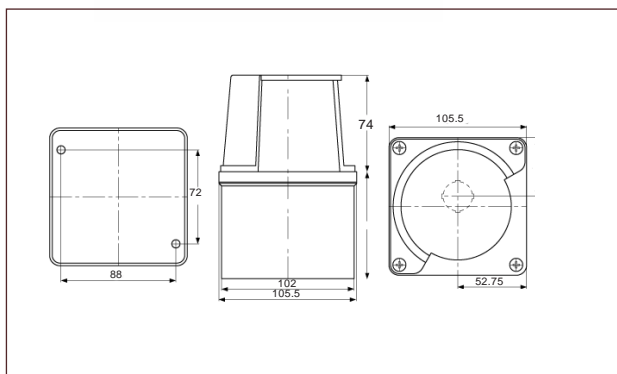
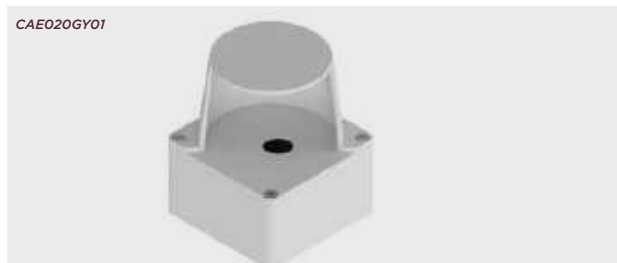
PART NO.	LID COLOUR	LENGTH	WIDTH	HEIGHT
CAE000GY01	Grey	75mm	75mm	54mm
CAE000YW01	Yellow	75mm	75mm	54mm
CAE010GY01*	Grey	90mm	90mm	61mm
CAE010YW01*	Yellow	90mm	90mm	61mm
CAE020GY01	Grey	105mm	105mm	135mm
CAE030YW01	Yellow	125mm	76mm	61mm



Push button protection



Pole enclosure



Other sizes available to order

ASSOCIATED PRODUCTS

- IP65 Illuminated pushbuttons - pages 187
- 22mm Diameter control switches - pages 188-190
- 22mm piezo switches - pages 204-207



96 series diecast aluminium box

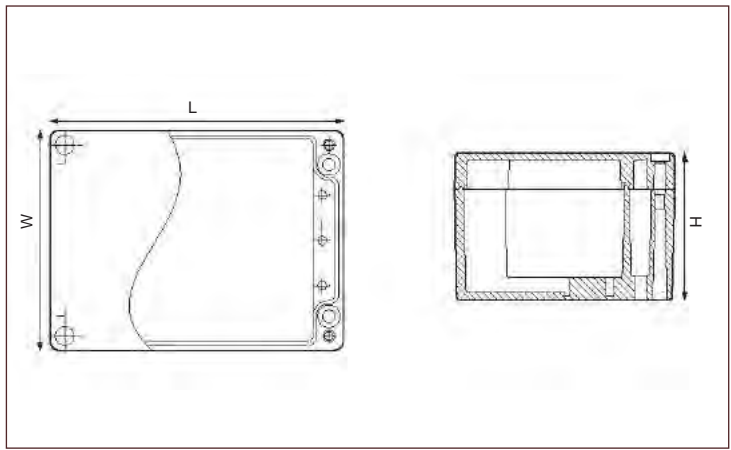
Product overview

- IP67 diecast aluminium
- Grey and natural colour options
- Weather resistance and tough powder coated finish
- 8 different sizes available
- Shock resistant diecast aluminium box



SPECIFICATION	
Protection class	IP67
Operating temperature	-40°C to +105°C
Recommended torque	1.0N • m (10kgf • cm)

LIGHT GREY	NATURAL	LENGTH	WIDTH	HEIGHT
CDM9602LG	CDM9602NL	80mm	60mm	50mm
CDM9604LG	CDM9604NL	100mm	70mm	40mm
CDM9606LG	CDM9606NL	90mm	90mm	60mm
CDM9607LG	CDM9607NL	130mm	90mm	50mm
CDM9608LG	CDM9608NL	140mm	100mm	70mm
CDM9610LG	CDM9610NL	160mm	110mm	60mm
CDM9612LG	CDM9612NL	220mm	120mm	80mm
CDM9614LG	CDM9614NL	260mm	160mm	90mm



KEY FEATURES

Weather resistance | Shock resistant | Diecast aluminium



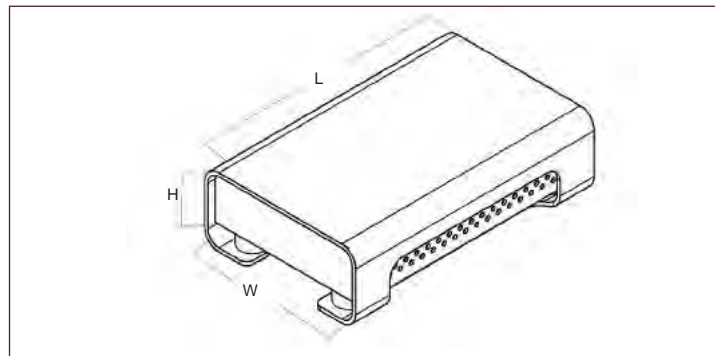
97 series high-end design aluminium box

Product overview

- Distinctively designed aluminium case
- Polished, elegant and sleek metallic silver finish
- Suitable for embedded system, measurement equipment, data transmitter and audio



PART NO.	LENGTH	WIDTH	HEIGHT
CDM9702SL	32mm	65mm	93mm
CDM9704SL	37.6mm	111mm	165mm
CDM9706SL	57.6mm	111mm	165mm
CDM9708SL	52.6mm	151mm	152mm
CDM9710SL	47.6mm	157mm	108mm
CDM9712SL	37.6mm	160mm	200mm
CDM9714SL	62.1mm	192mm	200mm
CDM9716SL	122.1mm	210mm	240mm
CDM9718SL	67.1mm	260mm	190mm
CDM9720SL	87.1mm	320mm	220mm



KEY FEATURES

Distinctively designed | Suitable for many devices | Sleek finish

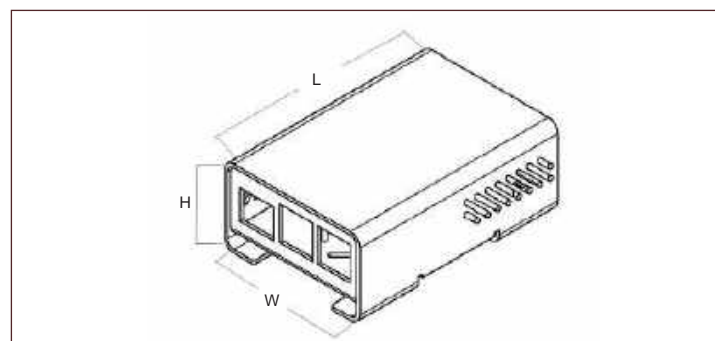


97 series raspberry Pi designer case

Product overview

- Exclusively for use with Raspberry Pi
- Compatible with Raspberry Pi 2 and 3 boards
- All aluminium, polished and elegant metallic silver finish

PART NO.	LENGTH	WIDTH	HEIGHT
CDM9701SL	32mm	65mm	93mm



55 series dura boxes

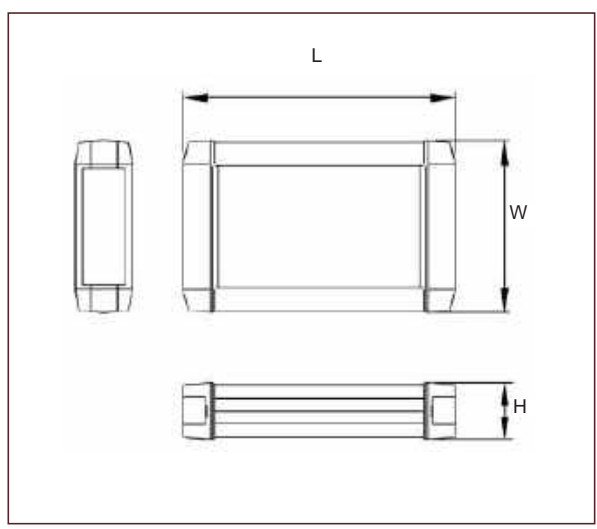
Product overview

Aluminium extruded boxes with plastic end-caps for a range of applications.

- Extruded aluminium profile
- Integral PCB mounting rails
- Front and rear plastic caps retained by 4x M3 screws
- Plastic screw covers for aesthetic appearance
- Recesses in lid and base for membrane keypads or overlays
- Textured sides
- Optional neoprene gasket for IP65 seal
- 55 series has been designed to meet the requirements of IP54 or additionally, IP65 with the gasket accessory



SPECIFICATION	
Materials	Extruded profile epoxy painted grade 6063 T5 tempered aluminium End caps and screw covers high grade ABS, UL94-V0
Protection class	55 series has been designed to meet the requirements of IP54 or additionally, IP65 with the gasket accessory
Standard colours	Profile light grey similar to RAL 9002 or black similar to RAL 9004 End caps and screw covers RAL 7044, light grey or RAL 9004, black
Standard unit includes	Profile, 2x end caps, 4x screw covers, 4x mounting screws



BLACK	LIGHT GREY	LENGTH	WIDTH	HEIGHT
CEAREPB01	CEAREPG01	130mm	82mm	27mm
CEAREPB02	CEAREPG02	160mm	82mm	27mm
CEAREPB03	CEAREPG03	160mm	102mm	37mm
CEAREPB04	CEAREPG04	190mm	102mm	37mm
CEAREPB05	CEAREPG05	190mm	122mm	47mm
CEAREPB06	CEAREPG06	220mm	122mm	47mm

KEY FEATURES

Aluminium profile | Lightweight | PCB mounting rails



ACCESSORIES

55 series IP65 gasket

- Neoprene gasket
- Resistant to acids and gasoline
- Suitable for outdoor applications



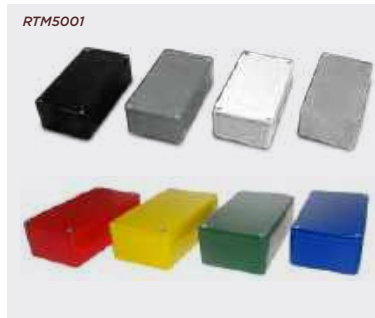
PART NO.	DESCRIPTION
CEAREGASK	55 series IP65 gasket

5000 series multi-purpose diecast

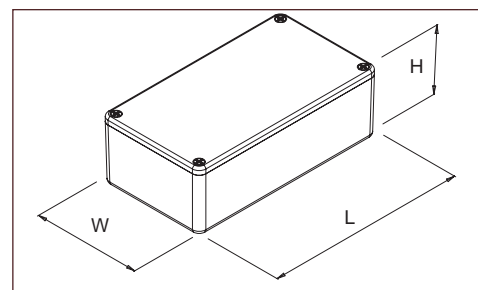
Product overview

Highly durable robust aluminium diecast boxes with RFI shielding properties.

- Diecast aluminium
- Lid mounted by four M3 machine screws
- Temperature resistant up to 260°C (without gasket)
- Highly durable and shock resistant
- Vertical guides for PCB fixing
- Optional neoprene gasket for IP65 seal
- Enclosure screws can be used with the wall mount kit
- 5000 series has been designed to meet the requirements of IP54 or additionally, IP65 with the gasket accessory



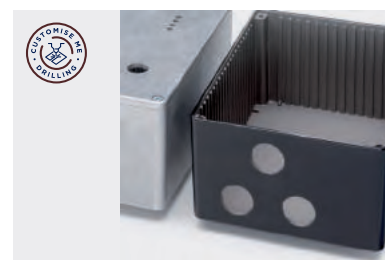
SPECIFICATION	
Materials	Lid and base diecast aluminium to ENAC 44200
Protection class	5000 series has been designed to meet the requirements of IP54 or additionally, IP65 with the gasket accessory
Standard colours	Black RAL 9004, white RAL 9010, natural, hammetone, red RAL 3020, yellow RAL 1023, blue RAL 5005 and green RAL 6001
Standard unit includes	Base, lid and x4 zinc plated M3 screw
Options	Wall mounting kit IP65 gasket



NATURAL	HAMMERTONE	BLACK	WHITE	LENGTH	WIDTH	HEIGHT
RTM5001/11-NAT	RTM5001/11-PAT	RTM5001/11-BLK	RTM5001/11-WH	50mm	50mm	31mm
RTM5002/12-NAT	RTM5002/12-PAT	RTM5002/12-BLK	RTM5002/12-WH	101mm	50mm	25mm
RTM5003/13-NAT	RTM5003/13-PAT	RTM5003/13-BLK	RTM5003/13-WH	112mm	62mm	31mm
RTM5004/14-NAT	RTM5004/14-PAT	RTM5004/14-BLK	RTM5004/14-WH	120mm	66mm	40mm
RTM5005/15-NAT	RTM5005/15-PAT	RTM5005/15-BLK	RTM5005/15-WH	152mm	82mm	50mm
RTM5006/16-NAT	RTM5006/16-PAT	RTM5006/16-BLK	RTM5006/16-WH	192mm	112mm	61mm
RTM5007/17-NAT	RTM5007/17-PAT	RTM5007/17-BLK	RTM5007/17-WH	121mm	95mm	61mm



RED	YELLOW	BLUE	GREEN	LENGTH	WIDTH	HEIGHT
RTM5001/11-RED	RTM5001/11-YEL	RTM5001/11-BLU	RTM5001/11-GRN	50mm	50mm	31mm
RTM5002/12-RED	RTM5002/12-YEL	RTM5002/12-BLU	RTM5002/12-GRN	101mm	50mm	25mm
RTM5003/13-RED	RTM5003/13-YEL	RTM5003/13-BLU	RTM5003/13-GRN	112mm	62mm	31mm
RTM5004/14-RED	RTM5004/14-YEL	RTM5004/14-BLU	RTM5004/14-GRN	120mm	66mm	40mm
RTM5005/15-RED	RTM5005/15-YEL	RTM5005/15-BLU	RTM5005/15-GRN	152mm	82mm	50mm
RTM5006/16-RED	RTM5006/16-YEL	RTM5006/16-BLU	RTM5006/16-GRN	192mm	112mm	61mm
RTM5007/17-RED	RTM5007/17-YEL	RTM5007/17-BLU	RTM5007/17-GRN	121mm	95mm	61mm



KEY FEATURES

Highly durable | RFI shielding properties | Shock resistant



ACCESSORIES

5000 series IP65 gasket

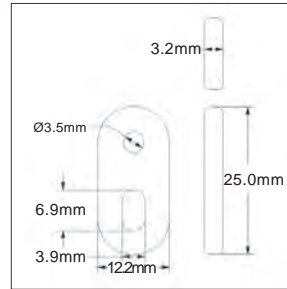
- Neoprene gasket, 1.5mm thick
- Resistant to acids, gasoline
- Suitable for outdoor applications
- Design to meet IP65



PART NO.	DESCRIPTION
FT094-517	5001-11 gasket
FT094-505	5002-12 gasket
FT094-509	5003-13 gasket
FT094-510	5004-14 gasket
FT094-513	5005-15 gasket
FT094-506	5006-16 gasket

Wall mounting kit

- One type fits all sizes



PART NO.	DESCRIPTION
RT5000-K	Wall mounting kit

5100 series project diecast

Product overview

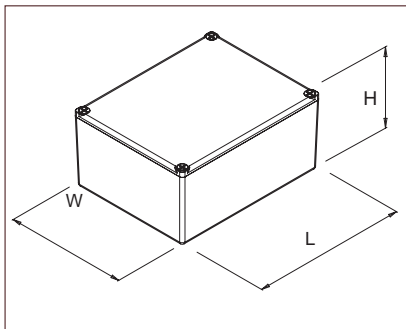
Economy aluminium diecast boxes. Ideal for RF circuit designs and mounting pneumatic or hydraulic equipment.

- Diecast aluminium
- Temperature resistance to 300°C
- Material functions as a screening layer and heatsink
- Robust and light weight
- Easily machined and customised
- Smooth surface and edges
- Close fitted flanged lids using self tapping screws
- 5100 series has been designed to meet the requirements of IP54



SPECIFICATION	
Materials	Diecast aluminium BS 1490 LM24
Protection class	5100 series has been designed to meet the requirements of IP54
Standard colours	Natural finish as standard Hammerstone and powder coating optional
Standard unit includes	Base, lid and 4x self-tapping screws

NATURAL RAL	LENGTH	WIDTH	HEIGHT
5100-470	51mm	51mm	32mm
5100-123	92mm	38mm	31mm
5100-471	110mm	82mm	44mm
5100-124	111mm	60mm	31mm
5100-479	111mm	60mm	54mm
5100-473	119mm	94mm	34mm
5100-234	119mm	94mm	56mm
5100-472	121mm	80mm	60mm
5100-474	121mm	121mm	60mm
5100-475	121mm	121mm	96mm
5100-476	152mm	82mm	51mm
5100-477	187mm	119mm	38mm
5100-247	187mm	119mm	56mm
5100-347	187mm	119mm	82mm
5100-478	190mm	190mm	67mm



KEY FEATURES

Diecast aluminum | Robust | Temperature resistance to 300°C



5500 series heavy duty diecast

Product overview

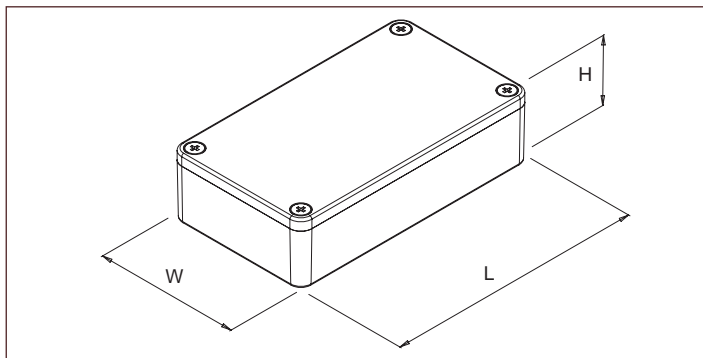
Heavy duty aluminium diecast boxes for industrial, control and mechanical engineering applications. Ideal for extreme conditions.

- Aluminium alloy
- Tongue and groove construction
- Lid incorporates a recessed gasket seal
- PCB pillars in base
- Low draft angle provides for maximum internal volume
- 5500 series has been designed to meet the requirements of IP65 (with supplied neoprene gasket)



SPECIFICATION	
Materials	Aluminium alloy ADC-12 (Al - Si - Cu based alloy)
Protection class	5500 series has been designed to meet the requirements of IP65 (neoprene gasket provided for IP65 seal)
Standard colours	Natural as standard Hammerstone or powder coating optional
Standard unit includes	Case, lid, neoprene gasket, 4x fixing screws

NATURAL RAL	LENGTH	WIDTH	HEIGHT
5500-04	64mm	58mm	35mm
5500-02	90mm	36mm	30mm
5500-06	115mm	65mm	30mm
5500-11	115mm	65mm	55mm
5500-13	115mm	90mm	55mm
5500-37	121mm	121mm	101mm
5500-15	148mm	108mm	75mm
5500-39	159mm	159mm	102mm
5500-20	171mm	121mm	55mm
5500-24	222mm	146mm	55mm
5500-25	222mm	146mm	82mm



KEY FEATURES

Alumunium alloy | Neoprene gasket for IP65 seal | PCB pillars

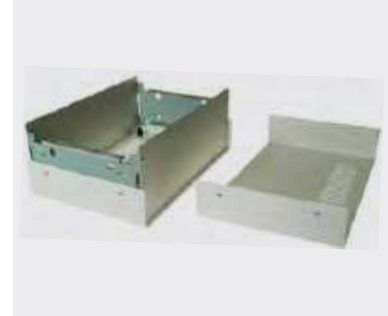


Metal consoles

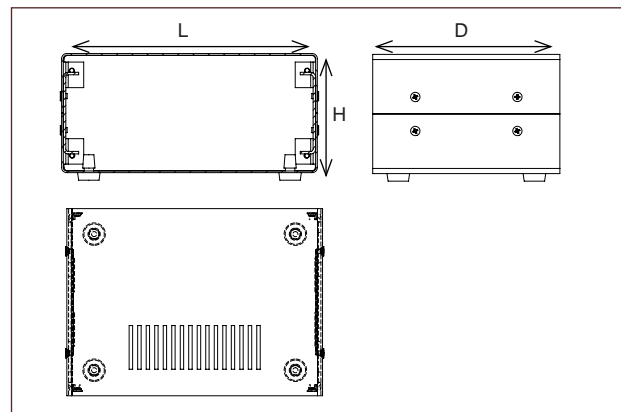
Product overview

Three sizes of sturdy steel cases made from 1mm thick steel. Epoxy finish. Aluminium front and rear panels.

- The consoles are supplied with four non-slip feet
- Two removable side plates are placed internally onto which PCB's and mounting trays can be affixed
- Easily customised
- Vented covers
- End plates ideal for customisation



SPECIFICATION	
Materials	Lid and base: 0.9mm steel Front and back: 1.5mm aluminium Mounting plates: 1.5mm zintec
Standard colours	RAL 9010
Standard unit includes	Lid and base Front and back 2x side plates 4x rubber feet 16 screws



PART NO.	LENGTH	DEPTH	HEIGHT
CMCB00001	110mm	150mm	70mm
CMCB00002	140mm	200mm	80mm
CMCB00003	160mm	250mm	100mm

KEY FEATURES

Removable side plates | Easily customised | Vented covers

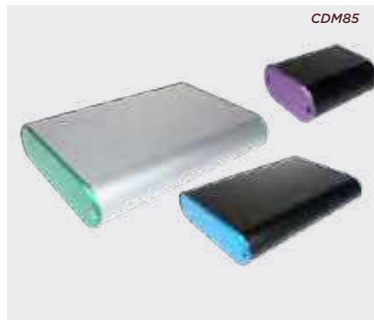


85 series round aluminium cases



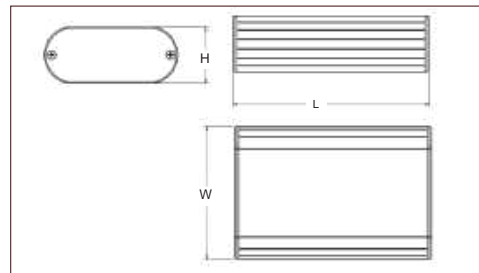
Product overview

- Extruded aluminium case
- Extrusion is split through the centre for ease of access
- Flush fitting two part extrusion
- Screw on end panels (coloured end panels available on request)
- PCB can slide into the enclosure (excludes sizes 1 and 3)
- Rubber feet supplied
- 85 series has been designed to meet the requirements of IP40



Coloured end panels available upon request

SPECIFICATION	
Materials	End panels - aluminium (anodised) Body - aluminium (anodised)
Standard colours	Black and silver
Standard unit includes	Base, end panels and 4 self tapping screws (coloured end panels available upon request)
IP rating	85 series has been designed to meet the requirements of IP40



SIZE	BLACK	SILVER	LENGTH	WIDTH	HEIGHT
1	CDM8501BK	CDM8501SL	49mm	48mm	13mm
3	CDM8503BK	CDM8503SL	109mm	48mm	13mm
5	CDM8505BK	CDM8505SL	74mm	41mm	15mm
9	CDM8509BK	CDM8509SL	96mm	57mm	18mm
12	CDM8512BK	CDM8512SL	114mm	70mm	20mm
14	CDM8514BK	CDM8514SL	94mm	82mm	24mm
18	CDM8518BK	CDM8518SL	144mm	100mm	16mm
20	CDM8520BK	CDM8520SL	112mm	110mm	30mm
24	CDM8524BK	CDM8524SL	112mm	70mm	35mm
27	CDM8527BK	CDM8527SL	140mm	95mm	40mm
30	CDM8530BK	CDM8530SL	200mm	130mm	35mm

KEY FEATURES

Extruded aluminium | Two part extrusion



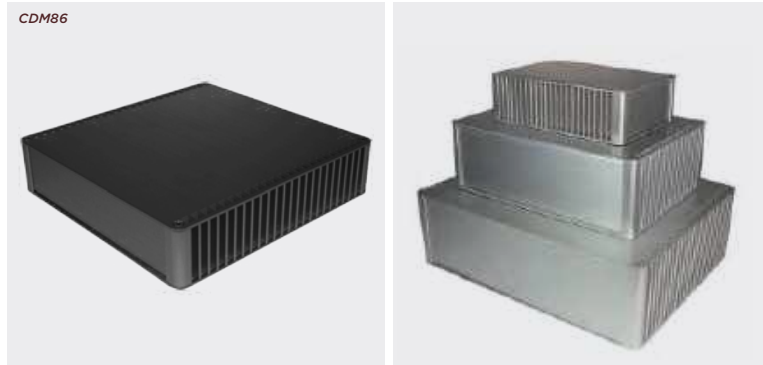
86 series aluminium audio cases



Product overview

Stylish aluminium heatsink cases.

- Heatsink is incorporated into the side plate
- Audio style aluminium enclosures
- Available in 12 sizes in black and silver
- Easily customised and light weight
- 86 series has been designed to meet the requirements of IP40



SPECIFICATION	
Materials	Lid and body - aluminium (anodised)
Standard colours	Silver and black
Standard unit includes	Rubber feet and screws, lid and base
IP rating	86 series has been designed to meet the requirements of IP40



BLACK PART NO.	LENGTH	WIDTH	HEIGHT
CDM8601BK	130mm	89mm	20mm
CDM8602BK	130mm	89mm	40mm
CDM8603BK	130mm	130mm	30mm
CDM8604BK	130mm	130mm	50mm
CDM8605BK	130mm	180mm	40mm
CDM8606BK	130mm	180mm	60mm
CDM8607BK	180mm	128mm	30mm
CDM8608BK	180mm	128mm	50mm
CDM8609BK	180mm	174mm	40mm
CDM8610BK	180mm	174mm	60mm
CDM8611BK	180mm	228mm	50mm
CDM8612BK	180mm	228mm	70mm

SILVER PART NO.	LENGTH	WIDTH	HEIGHT
CDM8601SL	130mm	89mm	20mm
CDM8602SL	130mm	89mm	40mm
CDM8603SL	130mm	130mm	30mm
CDM8604SL	130mm	130mm	50mm
CDM8605SL	130mm	180mm	40mm
CDM8606SL	130mm	180mm	60mm
CDM8607SL	180mm	128mm	30mm
CDM8608SL	180mm	128mm	50mm
CDM8609SL	180mm	174mm	40mm
CDM8610SL	180mm	174mm	60mm
CDM8611SL	180mm	228mm	50mm
CDM8612SL	180mm	228mm	70mm

KEY FEATURES

Ideal for audio applications | Lightweight | Stylish



88 Series IP67 heatsink cases



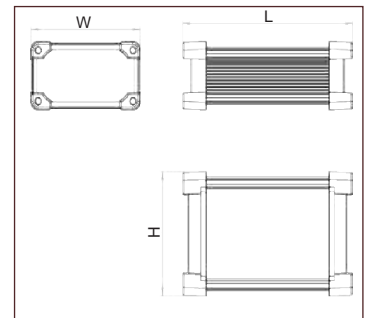
Product overview

IP67, EMC shielded aluminium heatsink enclosures.

- Heavy duty enclosure, heatsink extrusion body and diecast panels
- EMI-shielded (non-shielded available upon request)
- PCB or chassis are horizontally mountable by sliding into grooved inner body frame
- Designed for tough environments; heavy duty, waterproof and resistant to high temperatures
- Suitable for measuring instruments, industrial controls, industrial camera housing
- 88 series has been designed to meet the requirements of IP67



SPECIFICATION	
Material	Lid - aluminium (powder coated) Body - aluminium (anodised)
Protection class	88 series has been designed to meet the requirements of IP67
Operating temperature	-40°C to +105°C
Standard colours	Black or silver
Standard unit includes	x2 ends, body 8x steel screws IP casting in hole



SIZE	BLACK	SILVER	LENGTH	WIDTH	HEIGHT
2	CDM8802BK	CDM8802SL	110mm	65.8mm	65.8mm
4	CDM8804BK	CDM8804SL	200mm	65.8mm	65.8mm
7	CDM8807BK	CDM8807SL	115mm	80.8mm	45.8mm
9	CDM8809BK	CDM8809SL	175mm	80.8mm	45.8mm
11	CDM8811BK	CDM8811SL	125mm	86.3mm	86.3mm
13	CDM8813BK	CDM8813SL	220mm	86.3mm	86.3mm
16	CDM8816BK	CDM8816SL	150mm	106.3mm	56.3mm
18	CDM8818BK	CDM8818SL	240mm	106.3mm	56.3mm
20	CDM8820BK	CDM8820SL	175mm	156.3mm	81.3mm
22	CDM8822BK	CDM8822SL	275mm	156.3mm	81.3mm

ACCESSORIES

Silicone boots

BLACK	LENGTH	WIDTH	HEIGHT	DESCRIPTION
CDM88B1BK	31mm	72.4mm	73.6mm	Suits sizes 2 and 4
CDM88B2BK	31mm	87.4mm	53.6mm	Suits sizes 7 and 9
CDM88B3BK	35.5mm	93.9mm	95.1mm	Suits sizes 11 and 13
CDM88B4BK	35.5mm	113.9mm	65.1mm	Suits sizes 16 and 18
CDM88B5BK	35.5mm	163.9mm	90.1mm	Suits sizes 20 and 22



Other colours available on request

Mounting plates

PART NO.	LENGTH	WIDTH	DESCRIPTION	PART NO.	LENGTH	WIDTH	DESCRIPTION
CDM88MP02	94mm	47mm	Suits size 2	CDM88MP13	201mm	66.5mm	Suits size 13
CDM88MP04	184mm	47mm	Suits size 4	CDM88MP16	130.6mm	86.5mm	Suits size 16
CDM88MP07	99mm	61.8mm	Suits size 7	CDM88MP18	220.6mm	86.5mm	Suits size 18
CDM88MP09	159mm	61.8mm	Suits size 9	CDM88MP20	155.6mm	136.3mm	Suits size 20
CDM88MP11	106mm	66.5mm	Suits size 11	CDM88MP22	255.6mm	136.3mm	Suits size 22



88 series IP67 wall mounting heatsink cases

Product overview

IP67, EMC shielded aluminium heatsink enclosures.

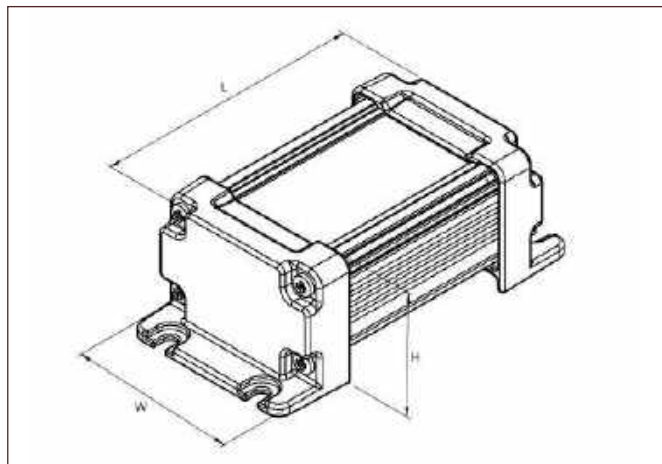
- Heavy duty enclosure, heatsink extrusion body and diecast panels, wall mounting
- EMI-shielded (non-shielded available upon request)
- PCB or chassis are horizontally mountable by sliding into grooved inner body frame
- Designed for tough environments; heavy duty, waterproof and resistant to high temperatures.
- Suitable for measuring instruments, industrial controls, industrial camera housing
- 88 series has been designed to meet the requirements of IP67



SIZE	BLACK	LENGTH	WIDTH	HEIGHT
2	CDM8802BK/FL	110mm	65.8mm	65.8mm
4	CDM8804BK/FL	200mm	65.8mm	65.8mm
7	CDM8807BK/FL	115mm	80.8mm	45.8mm
9	CDM8809BK/FL	175mm	80.8mm	45.8mm
11	CDM8811BK/FL	125mm	86.3mm	86.3mm
13	CDM8813BK/FL	220mm	86.3mm	86.3mm
16	CDM8816BK/FL	150mm	106.3mm	56.3mm
18	CDM8818BK/FL	240mm	106.3mm	56.3mm
20	CDM8820BK/FL	175mm	156.3mm	81.3mm
22	CDM8822BK/FL	275mm	156.3mm	81.3mm

SPECIFICATION	
Material	Ends - aluminium (powder coated) Body - aluminium (anodised)
Protection class	88 series has been designed to meet the requirements of IP67
Operating temperature	-40°C to +105°C
Standard colours	Black or silver
Standard unit includes	2x ends, body 8x steel screws IP casting in hole

SIZE	SILVER	LENGTH	WIDTH	HEIGHT
2	CDM8802SL/FL	110mm	65.8mm	65.8mm
4	CDM8804SL/FL	200mm	65.8mm	65.8mm
7	CDM8807SL/FL	115mm	80.8mm	45.8mm
9	CDM8809SL/FL	175mm	80.8mm	45.8mm
11	CDM8811SL/FL	125mm	86.3mm	86.3mm
13	CDM8813SL/FL	220mm	86.3mm	86.3mm
16	CDM8816SL/FL	150mm	106.3mm	56.3mm
18	CDM8818SL/FL	240mm	106.3mm	56.3mm
20	CDM8820SL/FL	175mm	156.3mm	81.3mm
22	CDM8822SL/FL	275mm	156.3mm	81.3mm



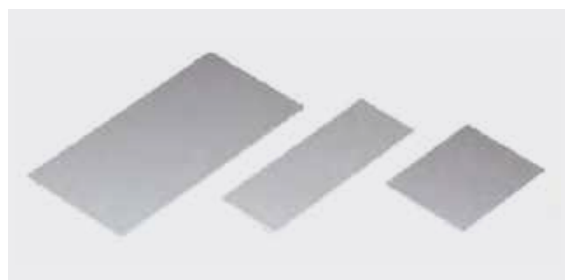
KEY FEATURES

Heat resistant | Highly waterproof | Wall mounting



ACCESSORIES

Mounting plates



PART NO.	LENGTH	WIDTH	DESCRIPTION
CDM88MP02	94mm	47mm	Suits size 2
CDM88MP04	184mm	47mm	Suits size 4
CDM88MP07	99mm	61.8mm	Suits size 7
CDM88MP09	159mm	61.8mm	Suits size 9
CDM88MP11	106mm	66.5mm	Suits size 11
CDM88MP13	201mm	66.5mm	Suits size 13
CDM88MP16	130.6mm	86.5mm	Suits size 16
CDM88MP18	220.6mm	86.5mm	Suits size 18
CDM88MP20	155.6mm	136.3mm	Suits size 20
CDM88MP22	255.6mm	136.3mm	Suits size 22



95 series heatsink aluminium enclosures

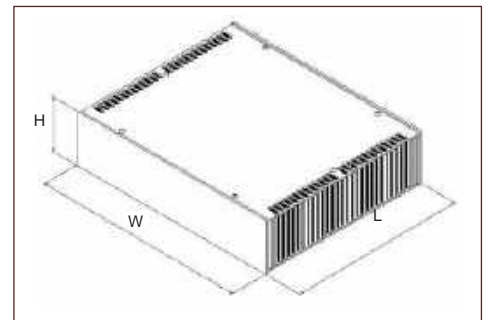
Product overview

- Stylish and elegantly designed with an anodized, brushed hairline finish
- Excellent cooling performance provided by the heatsink side plates
- Tough and robust enclosure made from extruded aluminium
- Simple and easy to assemble
- Available in 14 sizes and two colours
- 95 series has been designed to meet the requirements of IP40



SPECIFICATION

Materials	Aluminium
Standard unit includes	Heatsink side plate x2 End panel x2 Top/bottom panel x2 Corner supports x4 Rubber feet M3 screws
Operating temperature	-20°C to 60°C
Protection class	95 series has been designed to meet the requirements of IP40



BLACK PART NO.	LENGTH	WIDTH	HEIGHT
CDM9501BK	231mm	230mm	44mm
CDM9506BK	330mm	330mm	44mm
CDM9511BK	231mm	280mm	70mm
CDM9516BK	330mm	430mm	70mm
CDM9520BK	330mm	280mm	88mm
CDM9523BK	231mm	430mm	88mm
CDM9526BK	330mm	230mm	99mm
CDM9529BK	231mm	330mm	99mm
CDM9535BK	231mm	280mm	132.5mm
CDM9540BK	330mm	430mm	132.5mm
CDM9544BK	330mm	280mm	149mm
CDM9546BK	330mm	330mm	149mm
CDM9550BK	330mm	230mm	177mm
CDM9554BK	330mm	330mm	177mm

SILVER PART NO.	LENGTH	WIDTH	HEIGHT
CDM9501SL	231mm	230mm	44mm
CDM9506SL	330mm	330mm	44mm
CDM9511SL	231mm	280mm	70mm
CDM9516SL	330mm	430mm	70mm
CDM9520SL	330mm	280mm	88mm
CDM9523SL	231mm	430mm	88mm
CDM9526SL	330mm	230mm	99mm
CDM9529SL	231mm	330mm	99mm
CDM9535SL	231mm	280mm	132.5mm
CDM9540SL	330mm	430mm	132.5mm
CDM9544SL	330mm	280mm	149mm
CDM9546SL	330mm	330mm	149mm
CDM9550SL	330mm	230mm	177mm
CDM9554SL	330mm	330mm	177mm

KEY FEATURES

Robust | Brushed hairline finish | Excellent cooling performance





CAMDENBOSS

Ingress protection (IP rating)

IP67



Solids

CODE	DEGREE OF PROTECTION
0	Not protected
1	Protection against large foreign bodies, such as the back of the hand >50mm
2	Protection against medium foreign bodies, such as fingers or similar sized objects >12.5mm
3	Protection against small foreign bodies, such as tools or thick wires >2.5mm
4	Protection against smaller foreign bodies, such as screws and most wires >1mm
5	Limited dust protection, not entirely prevented but so much so that operation is interfered with
6	Complete protection against dust and any foreign body contact

Liquids

CODE	PROTECTION AGAINST	EFFECTIVE AGAINST
0	None	No protection
1	Dripping water	Dripping water (vertically falling drops) shall have no harmful effect on the specimen when mounted in an upright position onto a turntable and rotated at 1 RPM.
2	Dripping water tilted to 15°	Vertically dripping water shall have no harmful effect when the enclosure is tilted at an angle of 15° from its normal position. A total of four positions are tested within two axes.
3	Spraying water	Water falling as a spray at any angle up to 60° from the vertical shall have no harmful effect, utilizing either: a) an oscillating fixture, or b) A spray nozzle with a counterbalanced shield.
4	Splashing of water	Water splashing against the enclosure from any direction shall have no harmful effect, utilizing either: a) an oscillating fixture, or b) A spray nozzle with no shield.
5	Water jets	Water projected by a nozzle (6.3 mm) against the enclosure from any direction shall have no harmful effects.
6	Powerful water jets	Water projected in powerful jets (12.5 mm nozzle) against the enclosure from any direction shall have no harmful effects.
7	Immersion, up to 1 m depth	Ingress of water in harmful quantity shall not be possible when the enclosure is immersed in water under defined conditions of pressure and time (up to 1 m of submersion for 30 minutes).
8	Immersion, 1 m or more depth	The equipment is suitable for continuous immersion in water under conditions which shall be specified by the manufacturer. However, with certain types of equipment, it can mean that water can enter but only in such a manner that it produces no harmful effects.

IP67
Complete protection against dust and immersion up to 1 meter for 30 minutes

CIRCULAR CONNECTORS



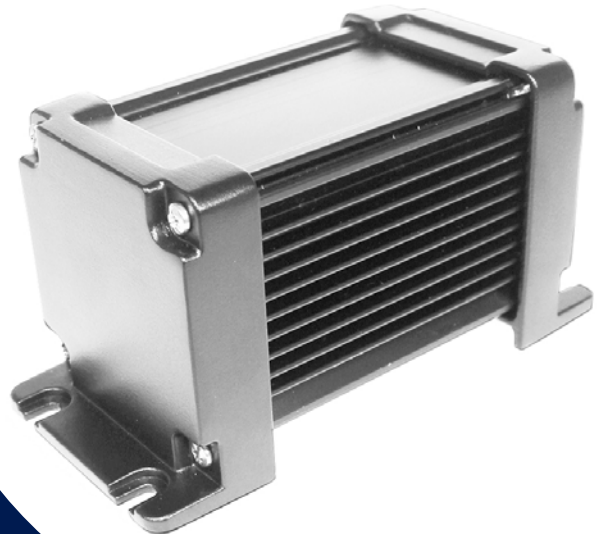
See page 100

X7 SERIES



See page 320

88 SERIES IP67 HEATSINK CASES

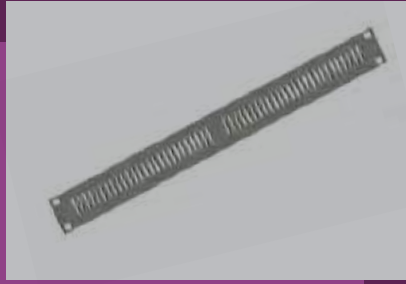


See page 420



19" cabinets and enclosures





429



431



432



430



427





19" CABINETS AND ENCLOSURES

Sturdy lightweight 19" enclosures designed with strong construction ideal for electrical/ electronic equipment installations.



19" rack mount case

427



19" desktop enclosures

428



CamRack-QX

430



CamRack-SX

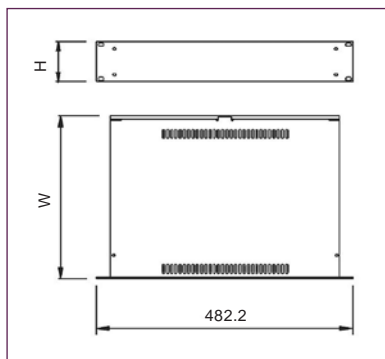
432

19" rack mount case

Product overview

Designed for electronic and telecommunication equipment to be installed in 19" cabinets, featuring ease of assembly, accessibility and strong construction for an effective installation.

- 1U, 2U and 3U heights
- 260mm and 360mm depths
- Secured with 10x screws M4 (8x for 1U)
- Front and rear internal supports for mounting of trays or PCBs
- Customisation available; sizes, colour, cutouts, mounting and printing



SPECIFICATION	
Materials	Front panel 3mm thick aluminium Shell 1mm thick steel
Standard colours	Clear or black anodised front panel Epoxy painted similar to RAL 9002
Standard unit includes	Front panel Shell-box, rear and lid
Options (MOQ's apply)	Custom colours Custom dimensions

Standard 19" enclosure

SILVER	BLACK	U	DEPTH	HEIGHT
C19G1263S	C19G1263B	1U	263mm	43.6mm
C19G1363S	C19G1363B	1U	363mm	43.6mm
C19G2263S	C19G2263B	2U	263mm	88.1mm
C19G2363S	C19G2363B	2U	363mm	88.1mm
C19G3263S	C19G3263B	3U	263mm	132.5mm
C19G3363S	C19G3363B	3U	363mm	132.5mm

19" enclosure with handles

SILVER	BLACK	U	DEPTH	HEIGHT
C19G2263SH	C19G2263BH	2U	263mm	88.1mm
C19G2363SH	C19G2363BH	2U	363mm	88.1mm
C19G3263SH	C19G3263BH	3U	263mm	132.5mm
C19G3363SH	C19G3363BH	3U	363mm	132.5mm

KEY FEATURES

Easy assembly | Secured with 10x screws | Strong construction





19" desktop enclosures

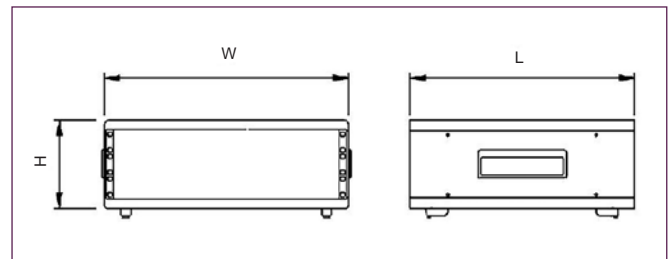
Product overview

Sturdy lightweight 19" enclosures designed to accept 'full-width' 84E subracks and standard 19" units.

- Heights from 2U up to 9U
- Constructed from 1mm steel
- Supplied with front tilt-feet, rear fixed feet
- Ventilation slots in base and rear panel
- Recessed side handles for comfort and easy transport
- Supplied flat-packed
- Open front design
- Front options ordered separately



PART NO.	U	WIDTH	HEIGHT	LENGTH
C19DE2330	2U	489mm	131.5mm	330mm
C19DE2450	2U	489mm	131.5mm	450mm
C19DE3330	3U	489mm	176mm	330mm
C19DE3450	3U	489mm	176mm	450mm
C19DE6330	6U	489mm	306mm	330mm
C19DE6450	6U	489mm	306mm	450mm
C19DE9450	9U	489mm	443mm	450mm



SPECIFICATION	
Materials	Shell 1mm thick steel Handles ABS Legs ABS
Standard colours	Shell: epoxy paint graphite grey Handles: black similar to RAL 9004 Legs: dark grey similar to RAL 7016
Standard unit includes	Top and bases covers Two side panels One rear panel Four feet 19" mounting brackets Handles Mounting hardware
Options	19" front panels

KEY FEATURES

Lightweight | Sturdy | Supplied flat-packed

ACCESSORIES

19" Aluminium front panel

- 3mm thick aluminium, clear anodised



STANDARD FRONT	VENTED FRONT	U	HEIGHT(MM)
CAX19SPS1	CAX19VPS1	1U	43.6mm
CAX19SPS2	CAX19VPS2	2U	88.1mm
CAX19SPS3	CAX19VPS3	3U	132.5mm
CAX19SPS4	CAX19VPS4	4U	177.0mm
CAX19SPS5	CAX19VPS5	5U	221.5mm
CAX19SPS6	CAX19VPS6	6U	265.9mm
CAX19SPS9	CAX19VPS9	9U	399.2mm

19" Steel front panel

- Manufactured in steel
- Powder coated (RAL 7016)



STANDARD FRONT	VENTED FRONT	U	HEIGHT(MM)
CAX19SPA1	CAX19VPA1	1U	43.6mm
CAX19SPA2	CAX19VPA2	2U	88.1mm
CAX19SPA3	CAX19VPA3	3U	132.5mm
CAX19SPA4	CAX19VPA4	4U	177.0mm
CAX19SPA5	CAX19VPA5	5U	221.5mm
CAX19SPA6	CAX19VPA6	6U	265.9mm
CAX19SPA9	CAX19VPA9	9U	399.2mm

Attachment set

- M6x15mm screw, PA washer, M6 caged nut



PART NO.	DESCRIPTION
CAX000001	Attachment set (pack of 4)

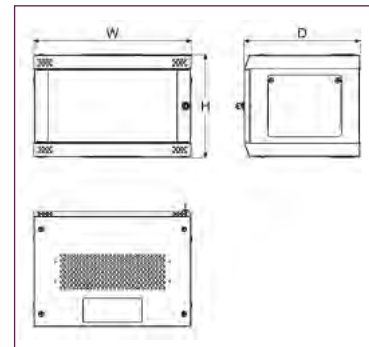


CamRack-QX

Product overview

19" wall mounted cabinets, designed for cabling, telecommunications, IT, industrial and home installations.

- Delivered flat packed for ease of access to all installations. Also reduces associated logistic costs and offers greater protection during transit
- Fast and efficient 3 minute assembly without tools
- 2x 19" mounting profiles. Variable depth, in 20mm increments
- Fast fixings 1/4 turn locks
- Quick release door. Tempered safety glass
- Easily removable side panels with 2x 1/4 turn locks
- Easily drilled plastic blanking covers for cable entry
- Template for wall mounting, included
- Maximum recommended load capacity: 45kg
- Finishes: Epoxy paint, RAL 7016
- Flat packed - assembled in 3 minutes!



RED	BLUE	ORANGE	WHITE	BLACK	U	WIDTH	DEPTH	HEIGHT
CQX064211	CQX064212	CQX064213	CQX064214	CQX064215	6U	578mm	421mm	376mm
CQX094211	CQX094212	CQX094213	CQX094214	CQX094215	9U	578mm	421mm	509mm
CQX125211	CQX125212	CQX125213	CQX125214	CQX125215	12U	578mm	521mm	643mm
CQX155211	CQX155212	CQX155213	CQX155214	CQX155215	15U	578mm	521mm	776mm
CQX186211*	CQX186212*	CQX186213*	CQX186214*	CQX186215*	18U*	578mm*	621mm*	917mm*

* Special orders only

KEY FEATURES

Quick release door | Fast and efficient | Supplied flat-pack

Standard corner colours:



White



Red



Blue



Orange



Black

Other corner colours available upon request:



Yellow



Green



Purple



Lilac



Grey

ACCESSORIES

19" profiles

- Extra pair of 19" mount profiles
- Manufactured in steel
- Powder coated anthracite RAL 7016



PART NO.	U	DESCRIPTION
CQX010006	6U	CamRack-QX 6U profiles (pair)
CQX010009	9U	CamRack-QX 9U profiles (pair)
CQX010012	12U	CamRack-QX 12U profiles (pair)
CQX010015	15U	CamRack-QX 15U profiles (pair)

ACCESSORIES

Cantilever tray

- Manufactured from 1.5mm steel
- 19" assembly with four anchoring points on the front sections
- Recommended maximum static load: 10/20 Kg
- Standard ventilation slots
- Front fastening height 2U
- One tray with mounting hardware
- Standard depths 180, 280, 350, 400mm
- Grey graphite epoxy paint, anthracite - RAL 7016
- One tray (screws not included)



PART NO.	U	DEPTH
CAX2TY180	2U	180mm
CAX2TY280	2U	280mm
CAX2TY350	2U	350mm
CAX2TY400	2U	400mm

Cantilever telescopic tray

- Ideal for holding keyboards
- Manufactured from 1.5mm steel
- 19" assembly with four anchoring points on the front sections
- Recommended maximum static load- 10kg
- Standard ventilation slots
- Front fastening height 2U
- Standard depths 280mm
- Finish: Black epoxy paint
- Telescopic guide rails nickel plated
- One tray, one pair telescopic guides, one front handle



PART NO.	U	DEPTH
CAXCTT280	2U	280mm

Front guides mounting

- 19" support guides, used as additional support for 19" equipment
- Attached to rack by two anchoring points with M6 bolts
- Manufactured from 2mm steel
- Zinc plated coating
- One pair of guides and assembly hardware



PART NO.	DESCRIPTION
CAXFMG001	Front guide mounting

Attachment set

- M6x15mm screw, PA washer, M6 caged nut



PART NO.	DESCRIPTION
CAX000001	Attachment set (pack of 4)

19" silver front panel

- Manufactured from 3mm aluminium, clear anodised
- Vented and solid profiles



STANDARD FRONT	VENTED FRONT	U	HEIGHT (MM)
CAX19SPS1	CAX19VPS1	1U	43.6mm
CAX19SPS2	CAX19VPS2	2U	88.1mm
CAX19SPS3	CAX19VPS3	3U	132.5mm
CAX19SPS4	CAX19VPS4	4U	177.0mm
CAX19SPS5	CAX19VPS5	5U	221.5mm
CAX19SPS6	CAX19VPS6	6U	265.9mm
CAX19SPS9	CAX19VPS9	9U	399.2mm

19" panel anthracite

- Manufactured from steel
- Powder coated (RAL 7016)
- Vented and solid panels



STANDARD FRONT	VENTED FRONT	U	HEIGHT (MM)
CAX19SPA1	CAX19VPA1	1U	43.6mm
CAX19SPA2	CAX19VPA2	2U	88.1mm
CAX19SPA3	CAX19VPA3	3U	132.5mm
CAX19SPA4	CAX19VPA4	4U	177.0mm
CAX19SPA5	CAX19VPA5	5U	221.5mm
CAX19SPA6	CAX19VPA6	6U	265.9mm
CAX19SPA9	CAX19VPA9	9U	399.2mm

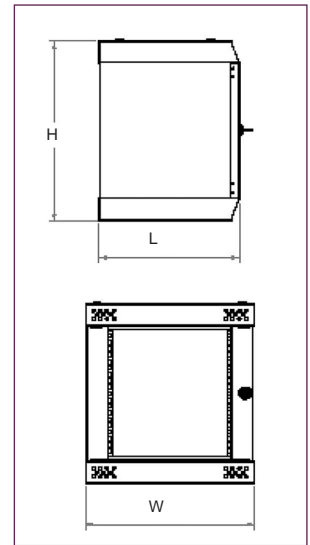
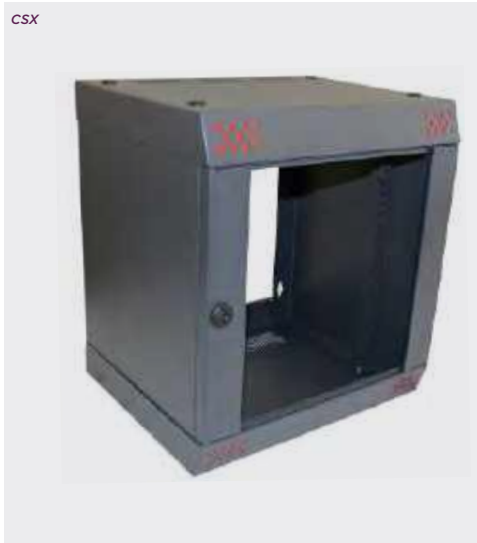


CamRack-SX

Product overview

7U wall mounted cabinets, designed for SOHO (small office, home office) installations

- Delivered flat packed for ease of access to all installations. Also reduces associated logistic costs and offers greater protection during transit.
- Fast and efficient assembly without tools
- 2x mounting profiles. Variable depth, in 20mm increments. Numbered "U's" optional
- Fast fixings 1/4 turn locks
- Front door: tempered, smoked safety glass.
- No rear panel or door
- Cable entry options for the top panels
- Cantilever tray supplied
- Template for wall mounting included
- Distributed recommended load capacity: 40kg
- Finishes: RAL 7016, Dark grey, anthracite (See below for corner options)
- Assembled in 3 minutes!



RED	BLUE	ORANGE	WHITE	BLACK	U	WIDTH	DEPTH	HEIGHT
CSX073211	CSX073212	CSX073213	CSX073214	CSX073215	7U	377mm	315mm	420mm

KEY FEATURES

Flat packed | Fast and efficient assembly | Fast fixings

Standard corner colours:



White



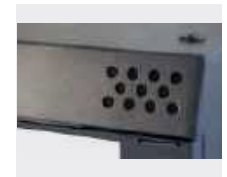
Red



Blue



Orange



Black

Other corner colours available upon request:



Yellow



Green



Purple



Lilac



Grey



CAMDENBOSS

CONTROL

WHAT MATTERS TO YOU

When working on assembly lines, switchboards or factory machinery; the importance of having a reliable, responsive and fail-safe control products is essential. With our high-quality control and automation products, we supply the most vital and necessary components.

Our control components are designed and supplied to the highest compliance standards ensuring your automated processes are reliable and easy to operate. Quality and reliability for safety critical processes is assured.

Robust IP65 22mm indicators with high-luminosity and audible alarm options ensure your signals and safety warnings are received. **See pages 258-259**

Match your control components to our equally robust electrical enclosures and take advantage of 'in house' customisation processes. Have your control box delivered pre-drilled and printed ready for assembly, saving time and costs. **See page 318**



For added security, use our key and twist release stops.

See pages 186-190



Our guarded footswitches mitigate 'accidental operation' risks and are IP65 rated.

See page 192



Associated products:

IP65 illuminated pushbuttons

page 187

Limit switches

pages 193-202

Piezo switches and keypads

pages 203-210

2600/2700 series terminal cases

page 347

Call our sales team on 01638 716101

Customisation

Our enclosures ranges can be customised to your requirements. We offer precision CNC machining of holes, slots and cut-outs as well as printing, coatings, finishes and more...

Call us on 01638 716101 or email sales@camdenboss.com





Customisation options

Digital printing



Powder coating



Plastic machining



RFI shielding



Aluminium machining



Choice of materials



Customisation

Make your enclosures stand out by utilising our professional customisation service.

We offer a full customisation service for all our standard injection moulded, die-cast and sheet-metal enclosures. We machine holes and cut-outs in our in-house CNC machining centre. We also offer custom colours, surface coating and RFI shielding, as well as engraving and digital/screen printing.

Machining and features

Milling, drilling, tapping and countersinking etc, for every type of enclosure application. We can create slots, holes, features, light pipes, windows etc. to suit your application.

Printing and engraving

Digital printing, screen printing and CNC engraving for product branding, and electrical component and functional identification.

Surface coating and RFI shielding

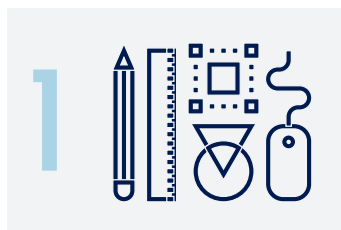
Power coating, painting and EMC coating for environmental protection, bespoke colours, surface finishes and RFI shielding.

Materials

Bespoke colours, various material types and flammability ratings for specific application and environments.

Once you have identified the enclosure(s) you would like to use the customisation process is easy. Simply provide the size, position and quantity of cut-outs and holes required, as well as any print requirements, and our technical sales team will prepare your quotation.

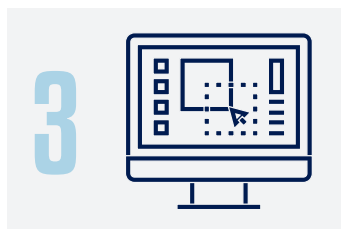
We can accept the customisation details in the following ways:



1 Download the 3D .STP file of the enclosure and add the cut-outs and holes directly into the model.



2 Download the 2D .DXF file of the enclosure and draw the cut-outs and holes. We will require size and positional dimensions to be added to the drawing.



3 Send us a detailed description of all the customisation requirements including all sizes and position of apertures. Note we also need to know the number of sides that require customisation.



4 Send us a sample that has all the customisation already and we can measure the sample and prepare a dimensioned drawing.

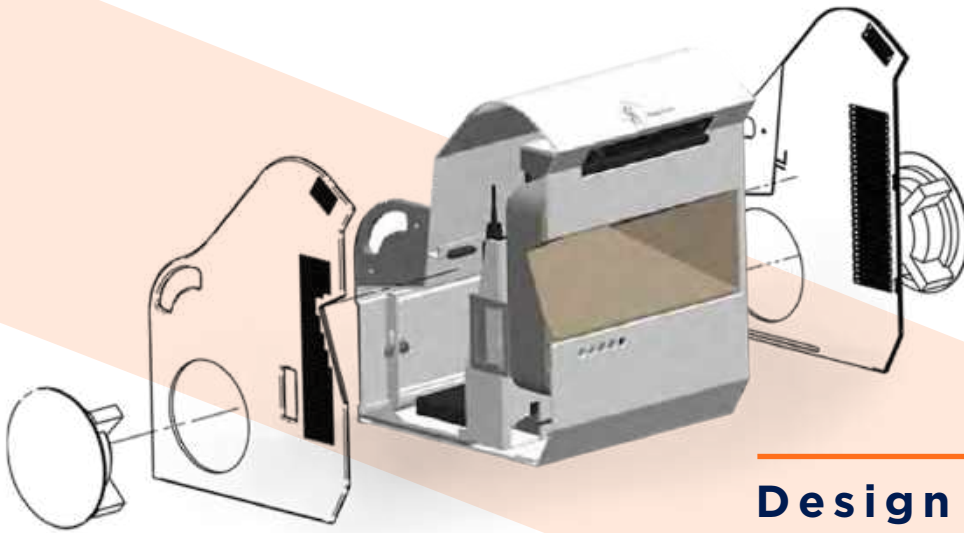
Our technical sales team are always on hand to guide you.

As part of our customisation service we provide dimensioned 2D drawings, 3D files (if required) and a prototype.

Drawings and prototypes are available very quickly.

Call our experienced technical sales team today to discuss your requirements on 01638 716101.





Design & development



Prototype & pre-production



Volume manufacture



SMARTBOXX

Custom fabricated enclosures

We design and manufacture custom enclosure solutions, with no restriction on size or quantity at our facility in Norfolk. Using advanced 3D CAD-CAM software, CNC machinery and skilled fabricators our stated aim is to exceed your expectations. At your disposal are a range of stock materials, from economy to UL94-V0 listed grades, in numerous colours and finishes.

Advantages

- Rapid lead times/reduced time to market
- Cost saving - no tooling charges
- Flexible quantities - seamless transition from prototype to batch production
- Versatile - make design changes after prototyping or during prototyping

We support our customers throughout the development of their custom plastic enclosures. Ensuring a seamless transition from initial consultation, CAD-CAM, prototyping and into volume production.

Our team are encouraged to stretch boundaries, ensuring we deliver the style and function your product deserves!

Using our tooling free fabrication process, we offer rapid turn around on:

- Complete enclosure design
- Prototype manufacture
- Start-up low to medium batches
- Volume production

From start to finish you'll deal directly with one of our experienced design engineers, who will take your specification to develop a unique product solution and see it into production. We happily take on projects at every stage of development, whether that is a rough sketch, full 3D model or replacing an existing design.

Create your own enclosure - No tooling!

Design and development

Utilising advanced 3D CAD-CAM systems and a flexible design process we can partner your project from any start point and throughout each stage of its development.

Prototyping

Our prototype enclosures are designed for manufacture, produced via our tooling free process and fully evaluated by our design team. Your product is ready for testing and field trails, minimising development time and pre-production costs.

Volume production

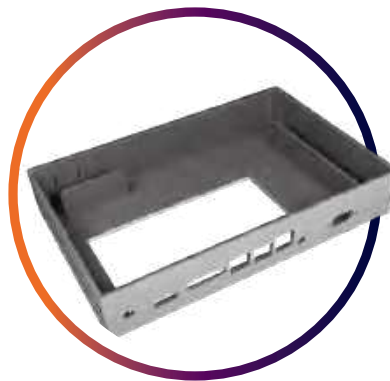
By seamlessly transitioning into production using the same technology you are able to incorporate design modifications post prototype sign-off. Produced in low to medium start-up quantities or volume production against scheduled deliveries.

Our services are not limited to just plastic fabrication, we also offer additional solutions.

DIGITAL & SCREENPRINTING



SHIELDING & WETPAINTING



METAL PARTS & ASSEMBLY



IPRATED ENCLOSURES



COLOUR MATCHED MATERIALS



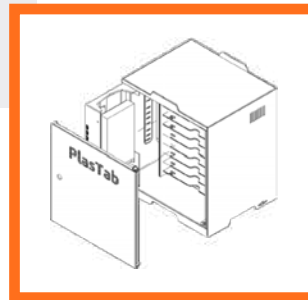
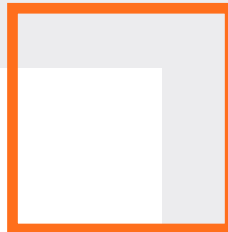
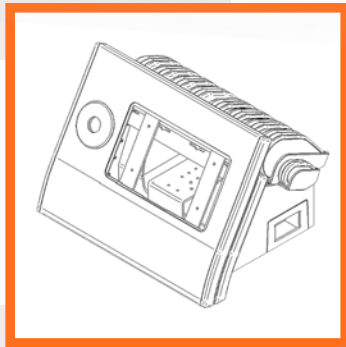
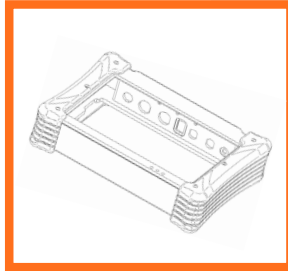
WIRING & PRODUCT ASSEMBY



Call our experienced technical sales team today to discuss your requirements on 01842 766557.



SMARTBOXX





SMARTBOXX

Case study

MODBOXX LAB CART SOLUTIONS

This laboratory cart concept was released by our client, having previously been developed and manufactured for a number of their clients in the pharmaceutical and research industries.

Our in-house design engineers worked closely with 'hands on' technicians, to provide a 'real world' flexible system suitable for configuring and optimising lab space.

Materials offered include Anti-microbial ABS, Trespa and Anti-bacterial PVC. Polyethylene laboratory trolleys will be available shortly following extensive trials.

Material selection paid a vital part in our engineering design, by utilising these options our customers have been able specify the build of their trolley solutions to match their exact specification.



MEDICAL
PHARMA
BIO TECH
HEALTHCARE
RESEARCH

From Norfolk to Nagpur...

...with no tooling



SmartMould

Custom moulded enclosures

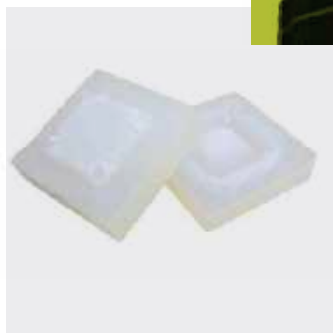
We are specialists in custom plastic enclosure design and manufacturing, having created thousands of injection moulded and vacuum casted enclosures.

Our technical sales and design teams work directly with you to design and manufacture your custom enclosures. We can work from your ideas, sketches, 2D and 3D drawings or internal components.

Call our experienced technical sales team today and they can guide you through the custom enclosure process:



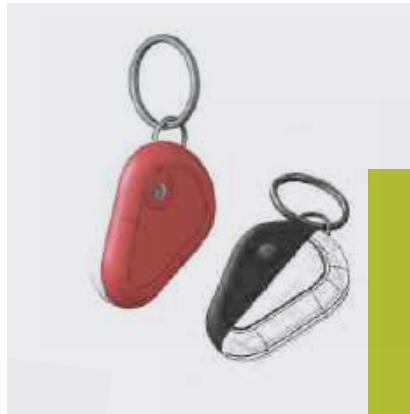
Call our experienced technical sales team today to discuss your requirements on 01638 716101.



VAC-CAST

As well as injection moulding we also offer a vacuum casting (vac-cast) service. Vac-casting provides a fast, high quality, low volume, functional manufacturing option.

Vac-casting can be used for small production runs or as a stepping stone between SLA samples and volume manufacture.





Index

100 series.....	100 series open potting boxes.....	317	89 series.....	89 series terminal block junction box.....	338
1000 series.....	1000 series vario cases.....	344	90 series.....	90 series IP67 handheld enclosures.....	328
1100 series.....	1100 series stylish ABS cases.....	296	91 series.....	91 series IP67 low profile cases.....	339
200 series.....	200 series small ABS boxes with lid - UL94-HB.....	312	92 series.....	92 series comms boxes.....	308
2000 series.....	2000 series general purpose ABS cases.....	297	93 series.....	93 series IP67 portable plastic keyfobs.....	290
2600/2700 series.....	2600/2700 series terminal cases - 2600 series.....	347	94 series.....	94 series flanged comms boxes.....	310
2910 series.....	2910 series plastic handheld enclosures.....	274	9400 series.....	9400 series - Custom potting boxes.....	388
2950 series.....	2950 series IR pocket cases.....	275	95 series.....	95 series heatsink aluminium enclosures.....	422
2950-310.....	2950 series accessories - battery contact kit.....	275	96 series.....	96 series diecast aluminium box.....	410
2950-xxxx.....	2950 series IR pocket cases.....	275	97 series.....	97 series high-end design aluminium box.....	411
2955-20 series.....	2955-20 series keyfobs with buttons.....	279	Android PC enclosures.....	Development board enclosures.....	360
2955-40 series.....	2955-40 series ergo keyfobs.....	280	APC-board 'rock' enclosure.....	Development board enclosures.....	361
2955-BATT-HDR.....	2955-20 series accessories - battery holder.....	279	Arduino enclosures.....	Development board enclosures.....	354
2955-BATT-HDR.....	2955-40 series accessories - battery holder.....	280	Banana Pi enclosures.....	Development board enclosures.....	358
2956 series.....	2956 series eco keyfobs.....	281	Banana Pi zero enclosures.....	Development board enclosures.....	359
2957 series.....	2957 series eco keyfobs.....	282	BE300.....	300 series multi-purpose boxes.....	316
2970 series.....	2970 series ergo T-style cases.....	278	BeagleBone black enclosures.....	Development board enclosures.....	356
2970-28GSKT.....	2970 Series accessories - IP65 gasket.....	278	BeagleBone black WIFI enclosures.....	Development board enclosures.....	357
2970-28xxxx.....	2970 series ergo T-style cases.....	278	BeagleBone blue enclosures.....	Development board enclosures.....	355
300 series.....	300 series multi-purpose boxes.....	316	BIM100x-BLK/PG.....	1000 series vario cases.....	344
3400 series.....	3400 series end panel design cases.....	303	BIM200x/1x-EMI/RFI.....	2000 series general purpose ABS cases - EMC.....	301
400 series.....	400 series lugged cable entry boxes.....	314	BIM200x/1x-xx/xx.....	2000 series general purpose ABS cases.....	297
4000 series.....	4000 series panel lid cases.....	302	BIM200x/2x-xx/CLR.....	2000 series general purpose ABS cases - deep profile (transparent lid).....	300
45 series.....	45 series rubber boot enclosures.....	276	BIM200x/2x-xx/xx.....	2000 series general purpose ABS cases - deep profile (solid lid).....	300
500 series.....	500 series small flanged ABS boxes.....	315	BIM200x/IP-xxx.....	2000 series general purpose ABS cases - flanged.....	298
5000 series.....	5000 series multi-purpose diecast.....	413	BIM200X/LUG-xx/xx.....	2000 series general purpose ABS cases - lugged lid.....	299
503 A series.....	503 A series indicator.....	260	BIM400x-xx/PG.....	4000 series panel lid cases.....	302
504 05 series.....	504 05 series indicator.....	260	BIM600x-BLK/PG.....	6000 series venti cases.....	346
509 M-LED series.....	509 M-LED series indicator.....	261	BIM800x-BLK/PG.....	8000 series euro desk cases.....	345
5100 series.....	5100 series project diecast.....	415	C19DExxxx.....	19" desktop enclosures.....	428
512 33-LED series.....	512 33-LED series indicator.....	262	C19Gxxxx.....	19" rack mount case.....	427
513 34-LED series.....	513 34-LED series indicator.....	262	C2S080.....	2 pole PCB mounting commercial relay bases.....	174
514 23-Led series.....	514 23-LED series indicator.....	261	CACCCXXX.....	Enclosure accessories - waterproof data connectors.....	341
515 MPA series.....	515 MPA series indicator.....	263	CAExxxxx01.....	Die-cast aluminium electrical enclosures.....	409
517 34-LED series.....	517 34-LED series indicator.....	264	Calliope mini board enclosure.....	Development board enclosures.....	364
55 series.....	55 series dura boxes.....	412	CAX000001.....	19" desktop enclosure accessories - attachment set.....	429
5500 series.....	5500 series heavy duty diecast.....	416	CAX000001.....	CamRack-QX accessories - attachment set.....	431
580 series.....	580 series indicator.....	264	CAX19xPAX.....	19" desktop enclosure accessories - steel front panel.....	429
6000 series.....	6000 series venti cases.....	346	CAX19xPAX.....	CamRack-QX accessories - 19" panel anthracite.....	431
62 series.....	62 series plastic keyfobs.....	270	CAX19xPSx.....	19" desktop enclosure accessories - aluminium front panel.....	429
64 series.....	64 series handheld cases.....	271	CAX19xPSx.....	CamRack-QX accessories - 19" silver front panel.....	431
66 series.....	66 series rubber corner handheld enclosures.....	272	CAX2TYxxx.....	CamRack-QX accessories - cantilever tray.....	431
7000 series.....	7000 series recessed designer cases.....	294	CAXCTT280.....	CamRack-QX accessories - cantilever telescopic tray.....	431
71 series.....	71 series flanged IP66 enclosures.....	332	CAXFMG001.....	CamRack-QX accessories - front guides mounting.....	431
72 series.....	72 series flanged IP66 enclosures.....	332	CBAPC.....	Android PC enclosures.....	360
7200 series.....	7200 series polycarbonate cases.....	330	CBARD.....	Arduino enclosures.....	354
7300 series.....	7300 series ABS cases.....	331	CBARK.....	APC-board 'rock' enclosure.....	361
7510 series.....	7510 series - Snap together enclosures.....	374	CBBBBLACK.....	BeagleBone black enclosures.....	356
7520 series.....	7520 series - Wall mount enclosures.....	375	CBBBBLUE.....	BeagleBone blue enclosures.....	355
7530 series.....	7530 series - Base and lid enclosures.....	376	CBBBKWIFI.....	BeagleBone black WIFI enclosures.....	357
7540 series.....	7540 series - Surface mount boxes.....	377	CBDBBP.....	Banana Pi enclosures.....	358
7550 series.....	7550 series - End panel enclosures.....	378	CBDBBPZ.....	Banana Pi zero enclosures.....	359
7560 series.....	7560 series - Flanged base enclosures.....	379	CBDBCAL.....	Calliope mini board enclosure.....	364
7570 series.....	7570 series - Curved style enclosures.....	380	CBDBRB.....	RloT board enclosure.....	362
7580 series.....	7580 series - Tablet style enclosures.....	381	CBLPBC.....	Latte panda board case.....	365
7590 series.....	7590 series - Flanged tablet style enclosures.....	382	CBLPKIT.....	Latte panda screen kit black - screen, stand and case.....	366
7610 series.....	7610 series - 45 degree enclosures.....	383	CBPI22.....	22mm panel indicators.....	258
7620 series.....	7620 series - 45 degree flanged enclosures.....	384	CBPIFLB22.....	22mm panel audible indicators.....	259
7630 series.....	7630 series - Angled front enclosures.....	385	CBRPAP.....	Raspberry Pi A+ enclosures.....	350
7640 series.....	7640 series - Flanged angled front enclosures.....	386	CBRPC.....	Pi camera enclosures.....	353
7710 series.....	7710 series hinged wall mount enclosures.....	333	CBRPI-DR-2-3.....	DIN Rail Pi B+ P2 P3 enclosures.....	363
7740 series.....	7740 series screw fastening wall mount enclosures.....	334	CBRPP.....	Raspberry Pi B+ and Pi 2 and 3 enclosures.....	351
7810 series.....	7810 series - DIN Rail mount enclosures.....	387	CBRPP.....	Raspberry Pi B+ or Pi 2 flanged enclosures.....	352
80 series.....	80 series slim plastic enclosures.....	283	CBRS01xWH.....	Room sensor enclosures.....	368
8000 series.....	8000 series euro desk cases.....	345	CBS34.....	Barrier strips 9.5mm (.374") pitch dual barrier PCB barrier strip.....	92
81 series.....	81 series keyfobs.....	285	CBS40.....	Barrier strips 6.35mm (.260") pitch tri barrier PCB barrier strip.....	91
82 series.....	82 series multi-purpose cases.....	304	CBS42.....	Barrier strips 8.25mm (.325") pitch tri barrier PCB barrier strip.....	91
83 series.....	83 series plastic flanged cases.....	306	CBS44.....	Barrier strips 9.5mm (.374") pitch tri barrier PCB barrier strip.....	92
84 series.....	84 series round edge cases.....	307			
85 series.....	85 series round aluminium cases.....	418			
86 series.....	86 series aluminium audio cases.....	419			
87 series.....	87 series silicone cover enclosures.....	286			
88 series.....	88 series IP67 heatsink cases.....	420			





CBS64	Barrier strips 9.5mm (.374") pitch dual barrier chassis mount barrier strip.....	93	CCM3S1/12	Push-pull connectors female fixed socket CCM series (12 pole size 3).....	129
CBS66	Barrier strips 11mm (.433") pitch dual barrier chassis mount barrier strip.....	93	CCM4S1/16	Push-pull connectors female fixed socket CCM series (16 pole size 4).....	130
CC01B	22mm diameter control switches (contact block with mounting plate - red NC contact + metal base).....	190	CCPIC012x	IP65 illuminated pushbuttons (LED).....	187
CC01B/P	22mm diameter control switches (contact block with mounting plate - red NC contact + plastic base).....	190	CCPICOG	IP65 illuminated pushbuttons (green NO contact block).....	187
CC10B	22mm diameter control switches (contact block with mounting plate - green NO contact + metal base).....	190	CCPICOR	IP65 illuminated pushbuttons (red MC contact block).....	187
CC10B/P	22mm diameter control switches (contact block with mounting plate - green NO contact + plastic base).....	190	CCPICLB	IP65 illuminated pushbuttons (brown NO latching contact block).....	187
CCA12	Camcirc accessories - metal cap size A1.....	102	CCPIPP	IP65 illuminated pushbuttons (mounting plate).....	187
CCA1P1/A03	Push-pull connectors cable mounted plug CCA1 series (3 pole size A1).....	102	CCPPRI30xx	IP65 illuminated pushbuttons (pushbutton).....	187
CCA1P1/A04	Push-pull connectors cable mounted plug CCA1 series (4 pole size A1).....	103	CCS0xxx01	Electrical control switch enclosures - single button.....	336
CCA1P1/A05	Push-pull connectors cable mounted plug CCA1 series (5 pole size A1).....	104	CCS0xxx02	Electrical control switch enclosures - two button.....	336
CCA1P1/A07	Push-pull connectors cable mounted plug CCA1 series (7 pole size A1).....	105	CCS0xxx03	Electrical control switch enclosures - three button.....	336
CCA1P1/A09	Push-pull connectors cable mounted plug CCA1 series (9 pole size A1).....	106	CCS0xxx04	Electrical control switch enclosures - four button.....	336
CCA22	Camcirc accessories - metal cap size A2.....	108	CCS0xxxx	Electrical control switch enclosures - five and six button.....	337
CCA2P1/A03	Push-pull connectors cable mounted plug CCA2 series (3 pole size A2).....	107	CCSIS1/04	Push-pull connectors female cable mount series (4 pole size 1).....	145
CCA2P1/A04	Push-pull connectors cable mounted plug CCA2 series (4 pole size A2).....	108	CCSP0x	Electrical control switch enclosure accessories - mounting plates.....	337
CCA2P1/A05	Push-pull connectors cable mounted plug CCA2 series (5 pole size A2).....	109	CCSxxGY00	Electrical enclosures.....	335
CCA2P1/A06	Push-pull connectors cable mounted plug CCA2 series (6 pole size A2).....	110	CCT12	Camcirc accessories - rubber cap size A1.....	122
CCA2P1/A07	Push-pull connectors cable mounted plug CCA2series (7 pole size A2).....	111	CCT1S1/03	Push-pull connectors female cable mount CCT series (3 pole size 1).....	146
CCA2P1/A08	Push-pull connectors cable mounted plug CCA2 series (8 pole size A2).....	112	CCT1S1/05	Push-pull connectors female cable mount CCT series (5 pole size 1).....	147
CCA32	Camcirc accessories - metal cap size A3.....	113	CCT1S1/07	Push-pull connectors female cable mount CCT series (7 pole size 1).....	148
CCA3P1/A10	Push-pull connectors cable mounted plug CCA3 series (10 pole size A3).....	113	CCT22	Camcirc accessories - rubber cap size A2.....	121
CCA3P1/A12	Push-pull connectors cable mounted plug CCA3 series (12 pole size A3).....	114	CCT2S1/05	Push-pull connectors female cable mount CCT series (5 pole size 2).....	149
CCA3P1/A19	Push-pull connectors cable mounted plug CCA3 series (19 pole size A3).....	115	CCT2S1/07	Push-pull connectors female cable mount CCT series (7 pole size 2).....	150
CCA42	Camcirc accessories - metal cap size A4.....	116	CCT32	Camcirc accessories - rubber cap size A3.....	128
CCA4P1/A16	Push-pull connectors cable mounted plug CCA4 series (16 pole size A4).....	116	CCT42	Camcirc accessories - rubber cap size A4.....	130
CCA4P1/A19	Push-pull connectors cable mounted plug CCA4 series (19 pole size A4).....	117	CCTPM40xx	22mm diameter control switches (40mm E-stop twist release push buttons plastic body).....	189
CCB1S1/03	Push-pull connectors female fixed socket CCB series (3 pole size 1).....	131	CCTPM41xx	22mm diameter control switches (40mm E-stop key release push buttons plastic body).....	189
CCB1S1/04	Push-pull connectors female fixed socket CCB series (4 pole size 1).....	132	CCTPM60xx	22mm diameter control switches (60mm E-stop twist push buttons plastic body).....	189
CCB2S1/03	Push-pull connectors female fixed socket CCB series (3 pole size 2).....	133	CCTPROxxx	22mm diameter control switches (on/off push buttons plastic body).....	188
CCB2S1/04	Push-pull connectors female fixed socket CCB series (4 pole size 2).....	134	CCTPR30xx	22mm diameter control switches (flush push buttons plastic body).....	188
CCB2S1/06	Push-pull connectors female fixed socket CCB series (6 pole size 2).....	135	CCTPSSxxx	22mm diameter control switches (selector switch plastic body).....	189
CCB2S1/07	Push-pull connectors female fixed socket CCB series (7 pole size 2).....	136	CCTTBxx	22mm diameter control switches (button surrounds).....	190
CCB2S1/08	Push-pull connectors female fixed socket CCB series (8 pole size 2).....	137	CCTTCxxx	22mm diameter control switches (contact block).....	190
CCB3S1/19	Push-pull connectors female fixed socket CCB series (19 pole size 3).....	138	CCTTKxx	22mm diameter control switches (keys for E-stop key release).....	190
CCB4S1/19	Push-pull connectors female fixed socket CCB series (19 pole size 4).....	139	CCTTM40xx	22mm diameter control switches (40mm E-stop twist release push buttons metal body).....	189
CCD2S1/04	Push-pull connectors female fixed socket CCD series (4 pole size 2).....	144	CCTTM41xx	22mm diameter control switches (40mm E-stop key release push buttons metal body).....	189
CCE1S1/03	Push-pull connectors female fixed socket CCE series (3 pole size 1).....	140	CCTTM60xx	22mm diameter control switches (60mm E-stop twist push buttons metal body).....	189
CCE1S1/05	Push-pull connectors female fixed socket CCE series (5 pole size 1).....	141	CCTTP	22mm diameter control switches (mounting plate metal).....	190
CCE1S1/07	Push-pull connectors female fixed socket CCE series (7 pole size 1).....	142	CCTTPP	22mm diameter control switches (mounting plate plastic).....	190
CCE2S1/07	Push-pull connectors female fixed socket CCE series (7 pole size 2).....	143	CCTTROxxx	22mm diameter control switches (on/off push buttons metal body).....	188
CCL2S1/06	Push-pull connectors female fixed socket CCL series (6 pole size 2).....	121	CCTTR30xx	22mm diameter control switches (flush push buttons metal body).....	188
CCM1S1/03	Push-pull connectors female fixed socket CCM series (3 pole size 1).....	122	CCTTRAxxx	22mm diameter control switches (arrow push buttons).....	188
CCM1S1/05	Push-pull connectors female fixed socket CCM series (5 pole size 1).....	123	CCTTRDCL	22mm diameter control switches (clear dust cap).....	190
CCM1S1/07	Push-pull connectors female fixed socket CCM series (7 pole size 1).....	124	CCTTRxxx	22mm diameter control switches (start/stop push buttons metal body).....	189
CCM1S1/09	Push-pull connectors female fixed socket CCM series (9 pole size 1).....	125	CCTTSSxxx	22mm diameter control switches (selector switch metal body).....	189
CCM2S1/05	Push-pull connectors female fixed socket CCM series (5 pole size 2).....	126	CDE92	92 series comms boxes.....	308
CCM2S1/07	Push-pull connectors female fixed socket CCM series (7 pole size 2).....	127	CDE94	94 series flanged comms boxes.....	310
CCM3S1/10	Push-pull connectors female fixed socket CCM series (10 pole size 3).....	128	CDIB	DIN Rail instrument enclosures.....	397
			CDIB/KIT	DIN Rail instrument enclosures - enclosure kits.....	397
			CDIC0000x	Desktop instrument cases.....	343
			CDICMP00x	Desktop instrument cases accessories - assembly plate.....	343
			CDM85	85 series round aluminium cases.....	418
			CDM86	86 series aluminium audio cases.....	419
			CDM88xBxK	88 series IP67 heatsink case accessories - silicone boots.....	420
			CDM88MPxx	88 series IP67 heatsink case accessories - mounting plates.....	420
			CDM88MPxx	88 Series IP67 heatsink case accessories - mounting plates.....	421
			CDM88xxx	88 series IP67 heatsink cases.....	420
			CDM88xxx/FL	88 series IP67 wall mounting heatsink cases.....	421
			CDM95	95 series heatsink aluminium enclosures.....	422





CDM96.....	.96 series diecast aluminium box.....	410	CHD91.....	.91 series IP67 low profile cases.....	339
CDM97.....	.97 series high-end design aluminium box.....	411	CHD9IFEET.....	.92 series accessories - rubber feet.....	340
CDM9701SL.....	.97 series raspberry Pi designer case.....	411	CHD9IPxxx.....	.92 series accessories - pole mount kit.....	340
CDR/ADAPTOR.....	DIN Rail accessories - adaptor.....	405	CHDAPB0x.....	X series accessories - mounting brackets.....	326
CDR-BRACKET.....	DIN Rail accessories - bracket.....	405	CHDASMPxx.....	X series accessories - mounting plates.....	326
CDT84xxWH.....	.84 series round edge cases.....	307	CHDAxxIL.....	X series accessories - X8 series lock kits.....	327
CE10.00.....	.30mm wide limit switches.....	194	CHDAxxxV.....	X series accessories - vents.....	326
CE10.0x.SxM.....	Safety limit switches (30mm metal casing 1 cable inlet IP66).....	201	CHDX6-2xx.....	X6 series electrical knockout enclosures - polycarbonate.....	320
CE10.0x.SxP.....	Safety limit switches (30mm polymeric casing 1 cable inlet IP65).....	201	CHDX6-3xx.....	X6 series electrical knockout enclosures - ABS.....	321
CE20.00.....	.50mm wide IP65 limit switches.....	196	CHDX7-2xx.....	X7 series electrical heavy duty enclosures - polycarbonate.....	322
CE20.0x.xxx.....	Safety limit switches (50mm polymeric casing 3 cable inlet IP65).....	202	CHDX7-3xx.....	X7 series electrical heavy duty enclosures - ABS.....	323
CE21.00.....	.50mm wide IP66 limit switches.....	197	CHDX8-2xx.....	X8 series electrical hinged lid enclosure - polycarbonate.....	324
CE21.0x.xxx.....	Safety limit switches (50mm metal casing 3 cable inlet IP66).....	202	CHDX8-3xx.....	X8 series electrical hinged lid enclosure - ABS.....	325
CE31.00.....	.60mm wide limit switches.....	198	CHDX8xxDD.....	X series accessories - X8 series dual door kit.....	327
CE31.0x.xxx.....	Safety limit switches (60mm metal casing 1 cable inlet IP66).....	202	CHH45.....	.45 series rubber boot enclosures.....	276
CE41.00.....	.40mm wide limit switches.....	195	CHH45xABK.....	.45 series rubber boot enclosures - AA battery compartment.....	276
CE41.0x.SxP.....	Safety limit switches (40mm polymeric casing 1 cable inlet IP65).....	202	CHH45xNBK.....	.45 series rubber boot enclosures - No battery compartment.....	276
CE41.xx.SxM.....	Safety limit switches (40mm metal casing 1 cable inlet IP66).....	202	CHH45xPBK.....	.45 series rubber boot enclosures - 9V PP3 battery compartment.....	276
CE60.00.....	.35mm wide pre-wired limit switches.....	200	CHH45xxx.....	.45 series accessories - rubber boot.....	277
CE70.00.....	.30mm wide pre-wired limit switches.....	199	CHH62GASK.....	.62 series accessories - IP65 gasket.....	270
CEAREGASK.....	.55 series dura boxes accessories - gaskets.....	412	CHH62xxx.....	.62 series plastic keyfobs.....	270
CEAREPB0x.....	.55 series dura boxes.....	412	CHH64Exxx.....	.64 series accessories - plastic end caps.....	271
CF06325xG.....	.6.3x25mm glass and British plug top fuses (glass 6.3x25mm).....	230	CHH64GASK.....	.64 series accessories - IP65 gasket.....	271
CF0840aM.....	.8.5x31.5mm aM motor circuit protection power fuses.....	234	CHH64xxx.....	.64 series handheld cases.....	271
CF1010gPV.....	.10.3x38mm gPV solar photovoltaic power fuses.....	236	CHH66Cxxx.....	.66 series accessories - soft grip corners.....	273
CF1050aR.....	.10.3x38mm aR semiconductor power fuses.....	233	CHH66GSKT.....	.66 series accessories - IP65 gasket.....	273
CF1050gG.....	.10.3x38mm gG general power fuses.....	234	CHH66xxx.....	.66 series rubber corner handheld enclosures.....	272
CFB0520x.....	.5x20mm glass fuses.....	228	CHH80.....	.80 series slim plastic enclosures.....	283
CFB0521Cx.....	.5x20mm ceramic fuses.....	229	CHH80Bxxx.....	.80 series accessories - rubber boots.....	284
CFB0603Txx.....	Surface mount 0603 fuses.....	238	CHH80PCBx.....	.80 series accessories - PCB.....	284
CFB06332x.....	.6.3x32mm glass fuses.....	231	CHH81.....	.81 series keyfobs.....	285
CFB06333Cx.....	.6.3x32mm ceramic fuses.....	232	CHH87.....	.87 series silicone cover enclosures.....	286
CFB1206Txx.....	Surface mount 1206 fuses.....	240	CHH87Cxxx.....	.87 series accessories - silicone cover.....	287
CFB1362.....	.6.3x25mm glass and British plug top fuses (British plug top).....	230	CHH87SPxxx.....	.87 series accessories - shock-proof silicone covers.....	287
CFB2410Txx.....	Surface mount 2410 fuses.....	242	CHH90.....	.90 series IP67 handheld enclosures.....	288
CFB2470FF.....	.2.4x7mm micro miniature very fast acting axial fuses.....	245	CHH93.....	.93 series IP67 portable plastic keyfobs.....	290
CFB2470TT.....	.2.4x7mm micro miniature slow blow/time delay axial fuses.....	245	CHH93PCBx.....	.93 series accessories - PCB.....	290
CFBBI612.....	Miniblade fuses 16x12mm.....	237	CHHBATxxx.....	.64 series accessories - battery compartment.....	271
CFBN2TT.....	Surface mount N2 fuses.....	244	CHHBATxxx.....	.66 series accessories - battery compartment.....	273
CFH02.....	.5x20mm PCB fuse carriers.....	218	CHHMC0xxx.....	.2910 series plastic handheld enclosures.....	274
CFH04.....	.5x20mm low profile panel mounting fuseholders (solder/2.8mm quick connect).....	221	CHHNECKxxx.....	.80 series accessories - neck strap.....	284
CFH05.....	.5x20mm panel mounting fuseholders.....	222	CHHNECKxx.....	.81 series accessories - neck strap.....	285
CFH06.....	.5x20mm compact horizontal and vertical PCB mounting fuseholders (vertical).....	218	CHHWRTxx.....	.80 series accessories - wrist strap.....	284
CFH07.....	.5x20mm compact horizontal and vertical PCB mounting fuseholders (horizontal).....	218	CHHWRTxx.....	.81 series accessories - wrist strap.....	285
CFH08.....	.5x20mm snap fit panel mounting fuseholders.....	222	CHTB.....	High temperature resistant connection blocks.....	94
CFH09.....	.5x20mm low profile panel mounting fuseholders (solder/2.8mm quick connect).....	221	CIM/2RJ45C.....	RJ45 coupler.....	164
CFH10.....	Multi-size inline fuseholder.....	224	CIM/8W-COMP.....	Diode module and component modules - without diodes component carrier.....	162
CFH12.....	.5x20mm low profile panel mounting fuseholders (solder/4.8mm quick connect).....	221	CIM/8W-D10.....	Diode module and component modules - diode module.....	162
CFH14.....	.5x20mm semi-enclosed PCB mounting 22.6mm pitch fuseholders.....	219	CIM/BNC-xx-1.....	DIN Rail mounting BNC coupler.....	167
CFH15.....	.5x20mm chassis mounting 15A fuseholder.....	223	CIM/Opto4.....	Opto-isolator interface.....	166
CFH16.....	.6.3x32mm chassis mounting fuseholder.....	223	CIM/R1 -Wx-x-24.....	1 pole relay modules.....	160
CFH17.....	.5x20mm semi-enclosed PCB mounting 15mm pitch fuseholders.....	219	CIM/RJ45.....	RJ45 interface module.....	164
CFH22xxx.....	.5x20mm PCB fuse carriers SMD and THR.....	220	CIM/RJ45-x.....	RJ45 multiway interface modules.....	164
CFRT05.....	Radial lead fuses (round).....	247	CIM/Rx -Wx-x-24.....	2, 4, 8 pole relay modules.....	160
CFSHxx.....	Heavy duty footswitch (guarded footswitch).....	192	CIM/USBA.....	USB A interface module.....	163
CFST05.....	Radial lead fuses (square).....	248	CIM/USBB.....	USB B interface module.....	163
CFTBN.....	.5x20mm fused terminal blocks.....	215	CIM/xW-FU-x.....	Fuse modules.....	162
CFUHxx.....	Heavy duty footswitch (un-guarded footswitch).....	192	CIM/xxW-DMFS.....	Male and female D-connector interface modules.....	165
CGLBMXX.....	Enclosure accessories - cable glands.....	341	CIM/xxW-DxS.....	Subminiature 'D' connector modules.....	161
CHD71xxx.....	.71 series flanged IP66 enclosures.....	332	CIM/xxW-IDCS.....	IDC interface modules.....	161
CHD72xxxx.....	.72 series flanged IP66 enclosures.....	332	CIM/xxxxxxW-IDCS.....	Multiple IDC interface modules.....	165
CHD7700MK.....	.7710 series accessories.....	333	CIM107/xxxx/E.....	Euro series 107mm empty extruded interface support (complete modules).....	171
CHD7700MK.....	.7740 series accessories - wall mounting kit.....	334	CIM72/xxxx/E.....	Mini series 72mm empty extruded interface supports (complete modules).....	169
CHD771xxx.....	.7710 series hinged wall mount enclosures.....	333	CIME/E.....	Euro series 107mm empty modular interface support.....	170
CHD774xxx.....	.7740 series screw fastening wall mount enclosures.....	334	CIME/E/E.....	Euro series 107mm empty extruded interface support.....	171
			CIME/E/MPx.....	Euro series 107mm empty modular interface support (wall mount plates).....	170
			CIME/M.....	Mini series 72mm empty modular interface supports.....	168
			CIME/M/E.....	Mini series 72mm empty extruded interface supports.....	169
			CIME/M/MPx.....	Mini series 72mm empty modular interface supports (wall mount plates).....	168
			CJB89.....	.89 series terminal block junction box.....	338



CL060x.....	Surface mount LEDs (0603/0605 casing).....	254	CST06SxxH.....	6x6mm tactile switches (horizontal PCB terminals).....	184
CL0805.....	Surface mount LEDs (0805 casing).....	254	CST06SxxS.....	6x6mm tactile switches (surface mount terminals).....	184
CL1206.....	Surface mount LEDs (1206 casing).....	255	CST06SxxT.....	6x6mm tactile switches (through-hole PCB terminals).....	184
CL3S1.....	3mm LEDs (diffused).....	256	CST12SxxS.....	12x12mm tactile switches (surface mount terminals).....	185
CL5H1.....	5mm LEDs (high brightness).....	257	CST12SxxT.....	12x12mm tactile switches (through-hole PCB terminals).....	185
CL5S1.....	5mm LEDs (diffused/transparent).....	257	CST356xxS.....	3.5x6mm tactile switches (surface mount terminals).....	183
CMCB0000x.....	Metal consoles.....	417	CST356xxT.....	3.5x6mm tactile switches (through hole PCB terminals).....	183
CMEB.....	Extendable module enclosures.....	398	CSTBP9208.....	5.08mm pitch pluggable screwless terminal blocks.....	79
CMFTB.....	6.3x25mm fused terminal blocks.....	216	CSTBP92HC.....	2.5mm pitch pluggable screwless terminal blocks (female connector).....	76
CNMB.....	DIN Rail modular enclosures.....	393	CSTBP92HD.....	3.5mm pitch pluggable screwless terminal blocks.....	77
CNMB/3/TGMINIUSB.....	DIN Rail modular accessories - MINI USB 5.08mm pitch perforated.....	395	CSTBP92HE.....	3.81mm pitch pluggable screwless terminal blocks.....	78
CNMB/3/TGRJ45.....	DIN Rail modular accessories - RJ45 5.08mm pitch perforated.....	395	CSX.....	CamRack-SX.....	432
CNMB/3/TGUSB.....	DIN Rail modular accessories - USB 5.08 pitch perforated.....	395	CTB0202.....	10mm pitch standard profile rising clamp terminal blocks.....	52
CNMB/x/E.....	DIN Rail modular accessories - extended height modules.....	396	CTB0602.....	10mm pitch low profile rising clamp terminal blocks.....	48
CNMB/x/HPxC.....	DIN Rail modular accessories - Curved hinged covers.....	396	CTB0609.....	10.16mm pitch low profile rising clamp terminal blocks.....	55
CNMB/x/KIT.....	DIN Rail modular enclosures - enclosure kits.....	396	CTB7000.....	5mm pitch 36 pole rising clamp terminal blocks.....	25
CNMB/x/Px.....	DIN Rail modular accessories - Standard covers.....	395	CTBP0100.....	5mm pitch standard profile rising clamp terminal blocks.....	23
CNMB/x/PxC.....	DIN Rail modular accessories - Curved covers.....	396	CTBP0108.....	5.08mm pitch standard profile rising clamp terminal blocks.....	32
CNMB/x/TG100.....	DIN Rail modular accessories - 10.16mm pitch pre-drilled.....	395	CTBP0110.....	7.5mm pitch standard profile rising clamp terminal blocks.....	39
CNMB/x/TG508.....	DIN Rail modular accessories - 5.08mm pitch pre-drilled terminal guard.....	394	CTBP0115.....	7.5mm pitch standard profile 90° rising clamp terminal blocks.....	40
CNMB/x/TG508P.....	DIN Rail modular accessories - 5.08mm pitch perforated terminal guard.....	394	CTBP0118.....	7.62mm standard profile vertical rising clamp terminal blocks.....	42
CNMB/x/TG750.....	DIN Rail modular accessories - 7.5mm pitch pre-drilled terminal guard.....	394	CTBP0150.....	5mm pitch standard profile 90° rising clamp terminal blocks.....	24
CNMB/x/TGS.....	DIN Rail modular accessories - solid terminal guard.....	394	CTBP0158.....	5.08mm pitch standard profile 90° rising clamp terminal blocks 33.....	43
CPA-EXIT-SW.....	Piezo exit switch.....	208	CTBP01HL.....	7.62mm standard profile 90° rising clamp terminal blocks.....	14
CPA-ST-ALN.....	3x4 stand alone piezo access control keypad.....	209	CTBP0305.....	3.5mm low profile vertical rising clamp terminal blocks.....	16
CPKBA11-3X4.....	Piezo keypad (3x4 keys).....	210	CTBP0308.....	3.81mm low profile vertical rising clamp terminal blocks.....	16
CPKBA11-4X4.....	Piezo keypad (4x4 keys).....	210	CTBP0355.....	3.5mm low profile 90° wire protector terminal blocks.....	15
CPS16LNF-Alxx.....	Piezo switches - latching (non-illuminated metal body).....	204	CTBP04VY.....	6.35mm pitch high power rising clamp terminal blocks.....	37
CPS16NF-Alxx.....	Piezo switches, non-illuminated, 16mm.....	206	CTBP04VZ.....	9.5mm pitch high power rising clamp terminal blocks.....	45
CPS221F-PLWH-xxRGB.....	Piezo switches, plastic, RGB LED illuminated, 22mm.....	205	CTBP0500.....	5mm pitch low profile rising clamp terminal blocks.....	19
CPS22lx-ALNA-24xx.....	Piezo switches, point illuminated.....	207	CTBP0508.....	5.08mm pitch low profile rising clamp terminal blocks.....	30
CPS22LIF-PLWH-xxxx.....	Piezo switches - latching (illuminated plastic body).....	204	CTBP0550.....	5mm low profile 90° rising clamp terminal blocks.....	20
CPS22Lx-ALNA-24RG.....	Piezo switches - latching (point illuminated metal body).....	204	CTBP0558.....	5.08mm low profile 90° rising clamp terminal blocks.....	31
CPW.....	Push-in fast connectors.....	89	CTBP0700.....	5mm high power vertical rising clamp terminal blocks.....	28
CPWP2F.....	IP68 pluggable connectors - female 2 pole inline connector.....	157	CTBP0708.....	5.08mm pitch high power rising clamp terminal blocks.....	35
CPWP2M.....	IP68 pluggable connectors - male 2 pole inline connector.....	157	CTBP0750.....	5mm high power 90° rising clamp terminal blocks.....	29
CPWP2M.....	IP68 pluggable connectors - male 3 pole inline connector.....	157	CTBP0758.....	5.08mm pitch high power 90° rising clamp terminal blocks.....	36
CPWP2P.....	IP68 pluggable connectors - male 2 pole panel mount.....	157	CTBP07VK.....	7.5mm high power vertical rising clamp terminal blocks.....	41
CPWP3F.....	IP68 pluggable connectors - female 3 pole inline connector.....	157	CTBP07VL.....	7.62mm pitch high power rising clamp terminal blocks.....	44
CPWP3I.....	IP68 cable joining connectors (field assembly connector).....	152	CTBP1000.....	5mm pitch standard profile screw terminal blocks.....	21
CPWP3IE.....	IP68 offshore connectors.....	156	CTBP1050.....	5mm pitch standard profile 90° screw terminal blocks.....	22
CPWP3P.....	IP68 pluggable connectors - male 3 pole panel mount.....	157	CTBP1301.....	5mm pitch pluggable terminal blocks for vertical or 90° mounting.....	74
CPWP3P6DI.....	IP68 3x power 6x data connector.....	153	CTBP1301 PS.....	5mm pitch 24 pin strip header.....	74
CPWP3PM.....	IP68 panel mount connector.....	153	CTBP2000.....	10mm pitch standard profile terminal blocks.....	50
CPWP3T.....	IP68 cable joining connectors (T connector).....	152	CTBP2050.....	10mm pitch standard profile 90° wire protector terminal blocks.....	51
CPWPEDRS1x9.....	IP68 electrical distribution splitter (1x9 splitter).....	154	CTBP2054.....	2.54mm pitch rising clamp terminal blocks.....	12
CPWPES1X3.....	IP68 electrical distribution splitter (1x3 splitter).....	154	CTBP2550.....	10mm pitch standard profile 90° rising clamp terminal blocks.....	53
CPWPES1X5.....	IP68 electrical distribution splitter (1x5 splitter).....	154	CTBP3000.....	5mm pitch 45° rising clamp terminal blocks.....	26
CQX.....	CamRack-QX.....	430	CTBP3008.....	5.08mm 45° rising clamp terminal blocks.....	34
CQX0100xx.....	CamRack-QX.....	430	CTBP3051.....	3.5mm pitch low profile commercial screw terminal blocks.....	13
CRDC.....	7000 series recessed designer cases.....	294	CTBP4000.....	10mm pitch low profile 45° rising clamp terminal blocks.....	54
CRDCGASKx.....	7000 series accessories - IP65 gasket.....	295	CTBP5000.....	5mm pitch low profile screw terminal blocks.....	17
CRDCWMKIT.....	7000 series accessories - wall mounting kit.....	295	CTBP5050.....	5mm pitch low profile 90° screw terminal blocks.....	18
CS083A.....	Compact 8-11 pin commercial relay bases (8-pin open).....	173	CTBP55VK.....	7.5mm pitch commercial low profile screw terminal blocks.....	38
CS083AN.....	Compact 8-11 pin commercial relay bases (8-pin IP20 finger protection).....	173	CTBP6000.....	10mm pitch low profile wire protector terminal blocks.....	46
CS113A.....	Compact 8-11 pin commercial relay bases (11-pin open).....	173	CTBP6050.....	10mm pitch low profile 90° wire protector terminal blocks.....	47
CS113AN.....	Compact 8-11 pin commercial relay bases (11-pin IP20 finger protection).....	173	CTBP6550.....	10mm low profile 90° rising clamp terminal blocks.....	49
CSACTxxx.....	1100 series stylish ABS cases (solid lid).....	296	CTBP77VP.....	10.16mm pitch very high power rising clamp terminal blocks.....	56
CSACTTxxx.....	1100 series stylish ABS cases (transparent lid).....	296	CTBP90HG.....	5mm pitch inline screw PCB terminal blocks (horizontal).....	27
CSC03.....	Compact 8-11 pin commercial relay bases (retaining clip).....	173	CTBP90VG.....	5mm pitch inline screw PCB terminal blocks (vertical).....	27
CSM305.....	V3 type microswitches 5A.....	179	CTBP9200.....	5mm pitch pluggable rising clamp terminal blocks (female connector).....	62
CSM310.....	V3 type microswitches 10A.....	179	CTBP9200 FL.....	5mm pitch pluggable rising clamp terminal blocks with screw flanges (female connector).....	64
CSM315.....	V3 type microswitches 15A.....	179	CTBP9208.....	5.08mm pitch pluggable rising clamp terminal blocks (female connector).....	65
CSM405.....	V4 type sub miniature microswitches 5A.....	180	CTBP9208 FL.....	5.08mm pitch pluggable rising clamp terminal blocks with screw flanges (female connector).....	67
CSMU01.....	Ultra miniature microswitches.....	181	CTBP92HD.....	3.5mm pitch pluggable rising clamp terminal blocks (female connector).....	58
CSR1.....	Strain relief.....	84	CTBP92HE.....	3.81mm pitch pluggable rising clamp terminal blocks (female connector).....	60
CSR2.....	Strain relief.....	84			
CSR3.....	Strain relief.....	84			
CSR4.....	Strain relief.....	87			
CSR5.....	Strain relief.....	87			
CSR6.....	Strain relief.....	90			





CTBP92VD R.....	3.5mm pitch pluggable rising clamp terminal blocks (female vertical connector - reversed).....	58	CTC600.....	Crimps (6A).....	97
CTBP92VD S.....	3.5mm pitch pluggable rising clamp terminal blocks (female vertical connector - standard).....	58	CTC750.....	Crimps (7.5A).....	97
CTBP92VE R.....	3.81mm pitch pluggable rising clamp terminal blocks (female vertical connector - reversed).....	60	CTH1300.....	5.08mm pitch PCB mounting crimp connectors (female housing).....	98
CTBP92VE S.....	3.81mm pitch pluggable rising clamp terminal blocks (female vertical connector - standard).....	60	CTH600.....	2.5mm pitch PCB mounting crimp connectors (female housing).....	96
CTBP92VG R.....	5mm pitch pluggable rising clamp terminal blocks (female connector - reversed).....	62	CTM1300.....	5.08mm pitch PCB mounting crimp connectors (male housing).....	98
CTBP92VG S.....	5mm pitch pluggable rising clamp terminal blocks (female vertical connector - standard).....	62	CTM600.....	2.5mm pitch PCB mounting crimp connectors (PCB mounting male single row).....	96
CTBP92VJ R.....	5.08mm pitch pluggable rising clamp terminal blocks (female vertical connector - reversed).....	65	CTM601.....	2.5mm pitch PCB mounting crimp connectors (PCB mounting male dual row).....	96
CTBP92VJ S.....	5.08mm pitch pluggable rising clamp terminal blocks (female vertical connector - standard).....	65	CTSNxxx/xx.....	12 way nylon terminal strips.....	82
CTBP9300.....	5mm pitch pluggable rising clamp terminal blocks (PCB mounting male vertical connector - closed ended).....	63	CTSNxxx/xxMF.....	Pluggable terminal strips.....	84
CTBP9300 AO.....	5mm pitch pluggable rising clamp terminal blocks (PCB mounting male vertical connector - open ended).....	63	CTSOS.....	Easy break terminal strips.....	86
CTBP9300 FL.....	5mm pitch pluggable rising clamp terminal blocks with screw flanges (PCB mounting male vertical connector).....	64	CTSP.....	Screw to screwless terminal strips.....	87
CTBP9308.....	5.08mm pitch pluggable rising clamp terminal blocks (PCB mounting male vertical connector - closed ended).....	66	CUE82.....	82 series multi-purpose cases.....	304
CTBP9308 AO.....	5.08mm pitch pluggable rising clamp terminal blocks (PCB mounting male vertical connector - open ended).....	66	CUE82Bx.....	82 series accessories - rubber boots.....	305
CTBP9308 FL.....	5.08mm pitch pluggable rising clamp terminal blocks with screw flanges (female vertical connector - standard).....	67	CUE83.....	83 series plastic flanged cases.....	306
CTBP9350.....	5mm pitch pluggable rising clamp terminal blocks (PCB mounting male horizontal connector - closed ended).....	63	CVBMSC.....	Vertical DIN Rail enclosures: CVB prototyping board.....	404
CTBP9350 AO.....	5mm pitch pluggable rising clamp terminal blocks (PCB mounting male horizontal connector - open ended).....	63	CVBP9200.....	PCB terminal blocks for CVB-PLUS.....	403
CTBP9350 FL.....	5mm pitch pluggable rising clamp terminal blocks with screw flanges (PCB mounting male horizontal connector).....	64	CVBP935x.....	PCB terminal blocks for CVB-PLUS.....	403
CTBP9358.....	5.08mm pitch pluggable rising clamp terminal blocks (PCB mounting male horizontal connector - closed ended).....	66	CVB-PLUS1.....	Vertical DIN Rail enclosures: CVB-PLUS1 - non vented.....	399
CTBP9358 AO.....	5.08mm pitch pluggable rising clamp terminal blocks (PCB mounting male horizontal connector - open ended).....	66	CVB-PLUS1V.....	Vertical DIN Rail enclosures: CVB-PLUS1 - vented.....	399
CTBP9358 FL.....	5.08mm pitch pluggable rising clamp terminal blocks with screw flanges (female vertical connector - reversed).....	67	CVB-PLUS2.....	Vertical DIN Rail enclosures: CVB-PLUS2 - non vented.....	401
CTBP93HC.....	2.5mm pitch pluggable screwless terminal blocks (male header horizontal connector).....	76	CVB-PLUS2V.....	Vertical DIN Rail enclosures: CVB-PLUS2 - vented.....	401
CTBP93HD.....	3.5mm pitch pluggable rising clamp terminal blocks (PCB mounting male horizontal connector - closed ended).....	59	CVB-PLUS-MC.....	Vertical DIN Rail enclosures: CVB-PLUS1 accessories - metal earth clip.....	399
CTBP93HE.....	3.81mm pitch pluggable rising clamp terminal blocks (PCB mounting male horizontal connector - closed ended).....	61	CVB-PLUS-MC.....	Vertical DIN Rail enclosures: CVB-S-PLUS1 accessories - metal earth clip.....	400
CTBP93VC.....	2.5mm pitch pluggable screwless terminal blocks (male header vertical connector).....	76	CVB-PLUS-MC.....	Vertical DIN Rail enclosures: CVB-PLUS2 accessories - metal earth clip.....	401
CTBP93VD.....	3.5mm pitch pluggable rising clamp terminal blocks (PCB mounting male vertical connector - closed ended).....	59	CVB-PLUS-MC.....	Vertical DIN Rail enclosures: CVB-S-PLUS2 accessories - metal earth clip.....	402
CTBP93VE.....	3.81mm pitch pluggable rising clamp terminal blocks (PCB mounting male vertical connector - closed ended).....	61	CVB-PLUS-PCB.....	Vertical DIN Rail enclosures: CVB-PLUS1 accessories - PCB.....	399
CTBP9400.....	7.5mm pitch pluggable rising clamp terminal blocks (female connector).....	68	CVB-S-PLUS1.....	Vertical DIN Rail enclosures: CVB-S-PLUS1 - non vented.....	400
CTBP9408.....	7.62mm pitch pluggable rising clamp terminal blocks (female connector).....	70	CVB-S-PLUS1V.....	Vertical DIN Rail enclosures: CVB-S-PLUS1 - vented.....	400
CTBP9500.....	7.5mm pitch pluggable rising clamp terminal blocks (PCB mounting male vertical connector - closed ended).....	68	CVB-S-PLUS2.....	Vertical DIN Rail enclosures: CVB-S-PLUS2 - non vented.....	402
CTBP9500 AO.....	7.5mm pitch pluggable rising clamp terminal blocks (PCB mounting male vertical connector - open ended).....	69	CVB-S-PLUS2V.....	Vertical DIN Rail enclosures: CVB-S-PLUS2 - vented.....	402
CTBP9508.....	7.62mm pitch pluggable rising clamp terminal blocks (PCB mounting male vertical connector - closed ended).....	70	CVB-S-PLUS-PCB.....	Vertical DIN Rail enclosures: CVB-S-PLUS1 accessories - PCB.....	400
CTBP9508 AO.....	7.62mm pitch pluggable rising clamp terminal blocks (PCB mounting male vertical connector - open ended).....	71	CVBxxx.....	Vertical DIN Rail enclosures: CVB.....	404
CTBP9550.....	7.5mm pitch pluggable rising clamp terminal blocks (PCB mounting male horizontal connector - closed ended).....	68	DIN Rail Pi B+ P2 P3 enclosures.....	Development board enclosures.....	363
CTBP9550 AO.....	7.5mm pitch pluggable rising clamp terminal blocks (PCB mounting male horizontal connector - open ended).....	69	FT094-xxx.....	5000 series multi-purpose diecast accessories - IP65 gasket.....	414
CTBP9558.....	7.62mm pitch pluggable rising clamp terminal blocks (PCB mounting male horizontal connector - closed ended).....	70	IND503.....	503 A series indicator.....	260
CTBP9558 AO.....	7.62mm pitch pluggable rising clamp terminal blocks (PCB mounting male horizontal connector - open ended).....	71	IND504.....	504 05 series indicator.....	260
CTBP96HJ.....	5.08mm inverted/reverse terminal blocks (male connector).....	72	IND509.....	509 M-LED series indicator.....	261
CTBP96HJ FL.....	5.08mm inverted/reverse terminal blocks (male connector - flanged).....	72	IND512.....	512 33-LED series indicator.....	262
CTBP97HJ.....	5.08mm inverted/reverse terminal blocks (PCB mounting female horizontal connector).....	73	IND513.....	513 34-LED series indicator.....	262
CTBP97HJ FL.....	5.08mm inverted/reverse terminal blocks (PCB mounting female horizontal connector flanged).....	73	IND514.....	514 23-LED series indicator.....	261
CTBP97VJ.....	5.08mm inverted/reverse terminal blocks (PCB mounted female vertical connector).....	72	IND515.....	515 MPA series indicator.....	263
CTBP97VJ FL.....	5.08mm inverted/reverse terminal blocks (PCB mounting female vertical connector - flanged).....	73	IND517.....	517 34-LED series indicator.....	264
CTBSN.....	PCB mounted terminal strips.....	85	IND580.....	580 series indicator.....	264
CTCI300.....	Crimps (4A).....	98	Latte panda board case.....	Development board enclosures.....	365
			Latte panda screen kit.....	Development board enclosures.....	366
			Pi camera enclosures.....	Development board enclosures.....	353
			Raspberry Pi A+ enclosures.....	Development board enclosures.....	350
			Raspberry Pi B+ and Pi 2 and 3.....	Development board enclosures.....	351
			Raspberry Pi B+ or Pi 2 flanged.....	Development board enclosures.....	352
			RloT board enclosure.....	Development board enclosures.....	362
			Room sensor enclosures.....	Room sensor enclosures.....	368
			RT5000-K.....	5000 series multi-purpose diecast accessories - wall mounting kit.....	414
			RTM1xx-BLK.....	100 series open potting boxes.....	317
			RTM260x-BR/B.....	2600/2700 series terminal cases - 2600 series.....	347
			RTM270x-BR/B.....	2600/2700 series terminal cases - 2700 series.....	347
			RTM500x/xx-xxx.....	5000 series multi-purpose diecast.....	413
			RX2xxx/S-5.....	200 series small ABS boxes with lid - UL94-HB.....	312
			RX2xxx/S-FB-5.....	200 series small ABS boxes with lid - UL94-VO.....	313
			RX5xxA.....	500 series small flanged ABS boxes.....	315
			X6 series.....	X6 series electrical knockout enclosures.....	320
			X7 series.....	X7 series electrical heavy duty enclosures.....	322
			X8 series.....	X8 series electrical hinged lid enclosure.....	324





CAMDENBOSS

CONNECT. ENCLOSE. INNOVATE.

+44 (0)1638 716101 | sales@camdenboss.com | www.camdenboss.com

